

[54] HANGER FOR BOOTS, CLOTHS OR THE LIKE

[75] Inventor: Lars O. J. Larsson, Spanga, Sweden

[73] Assignee: Swards AB, Vallingby, Sweden

[**] Term: 14 Years

[21] Appl. No.: 901,246

[22] Filed: Aug. 27, 1986

[30] Foreign Application Priority Data

Jul. 18, 1986 [SE] Sweden 86-1726

[52] U.S. Cl. D6/326; D8/395; D32/64

[58] Field of Search D6/315-319, D6/326-328; D8/395; D32/61, 64; 211/34, 38, 113, 118; 24/500, 507, 509, 511; 223/85, 93, 96

[56] References Cited

U.S. PATENT DOCUMENTS

D. 162,702 3/1951 Yett D6/328

D. 170,544 10/1953 Nalle, Jr. D6/326

D. 175,169 7/1955 Jacobson D6/326

D. 274,590 7/1984 Miura D6/326

2,376,097 5/1945 Stamm 211/34

3,314,120 4/1967 Minogue D6/326

4,169,549 10/1979 Takagi 223/96

Primary Examiner—B. J. Bullock

Attorney, Agent, or Firm—Young & Thompson

[57] CLAIM

The ornamental design for hanger for boots cloths or the like, as shown and described.

DESCRIPTION

FIG. 1 is a perspective view of a hanger for boots cloths or the like, showing my new design;

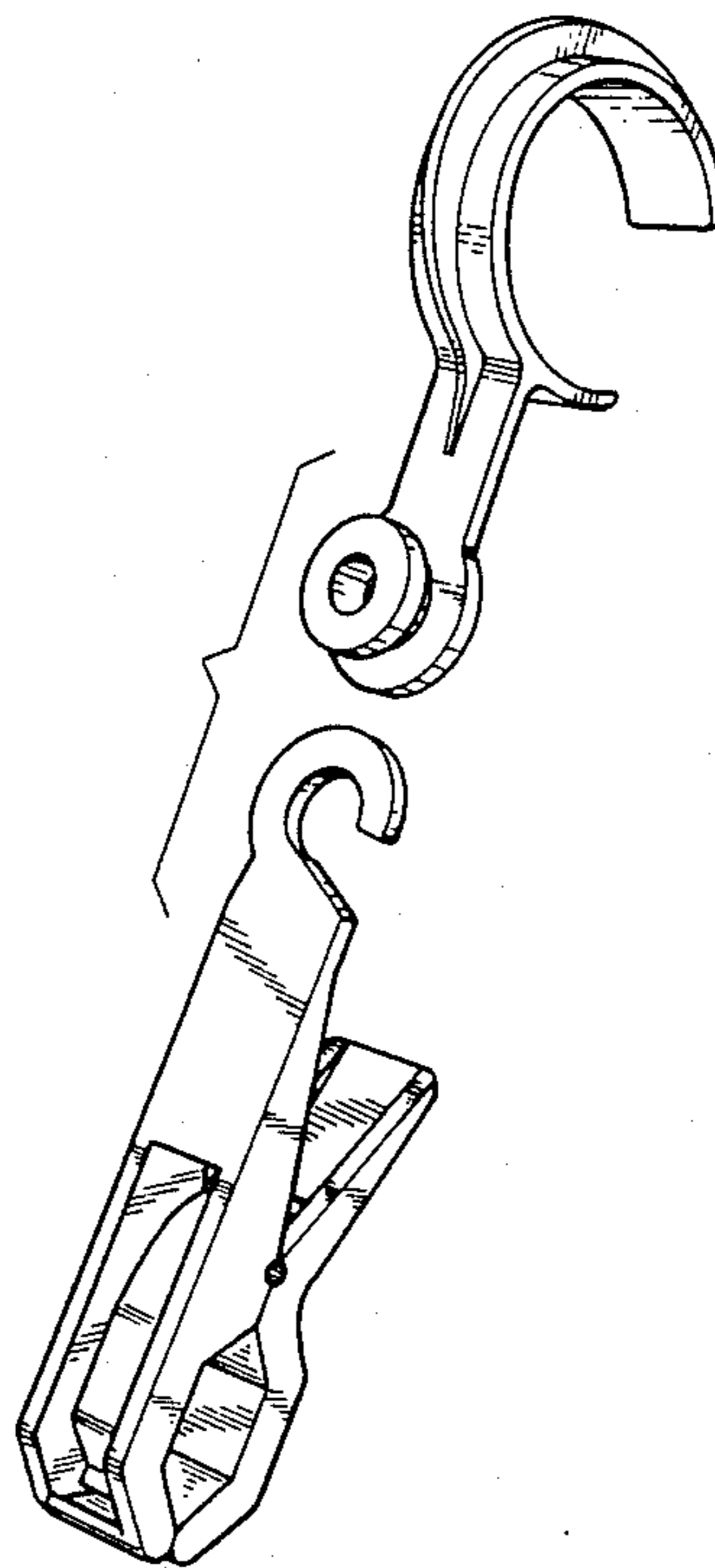
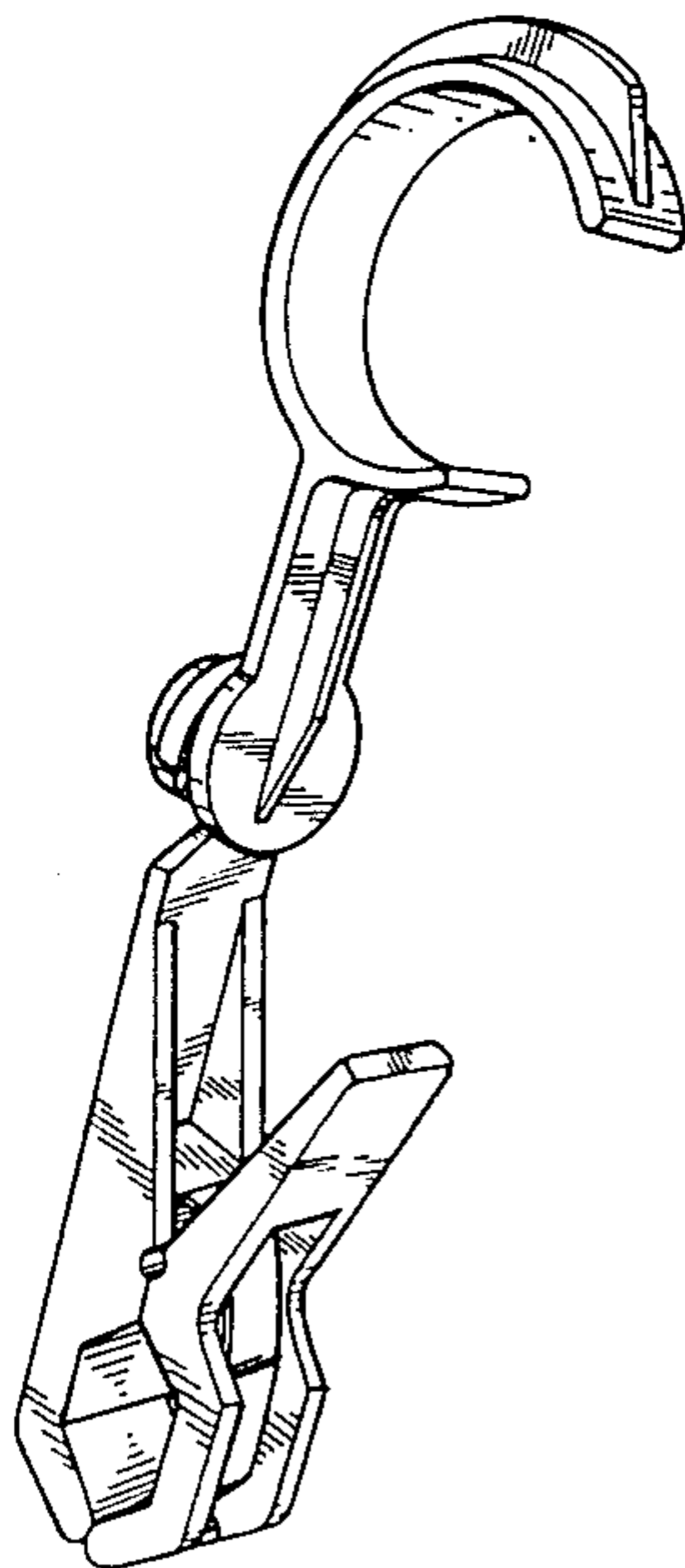
FIG. 2 is a perspective view, from the side opposite that shown in FIG. 1;

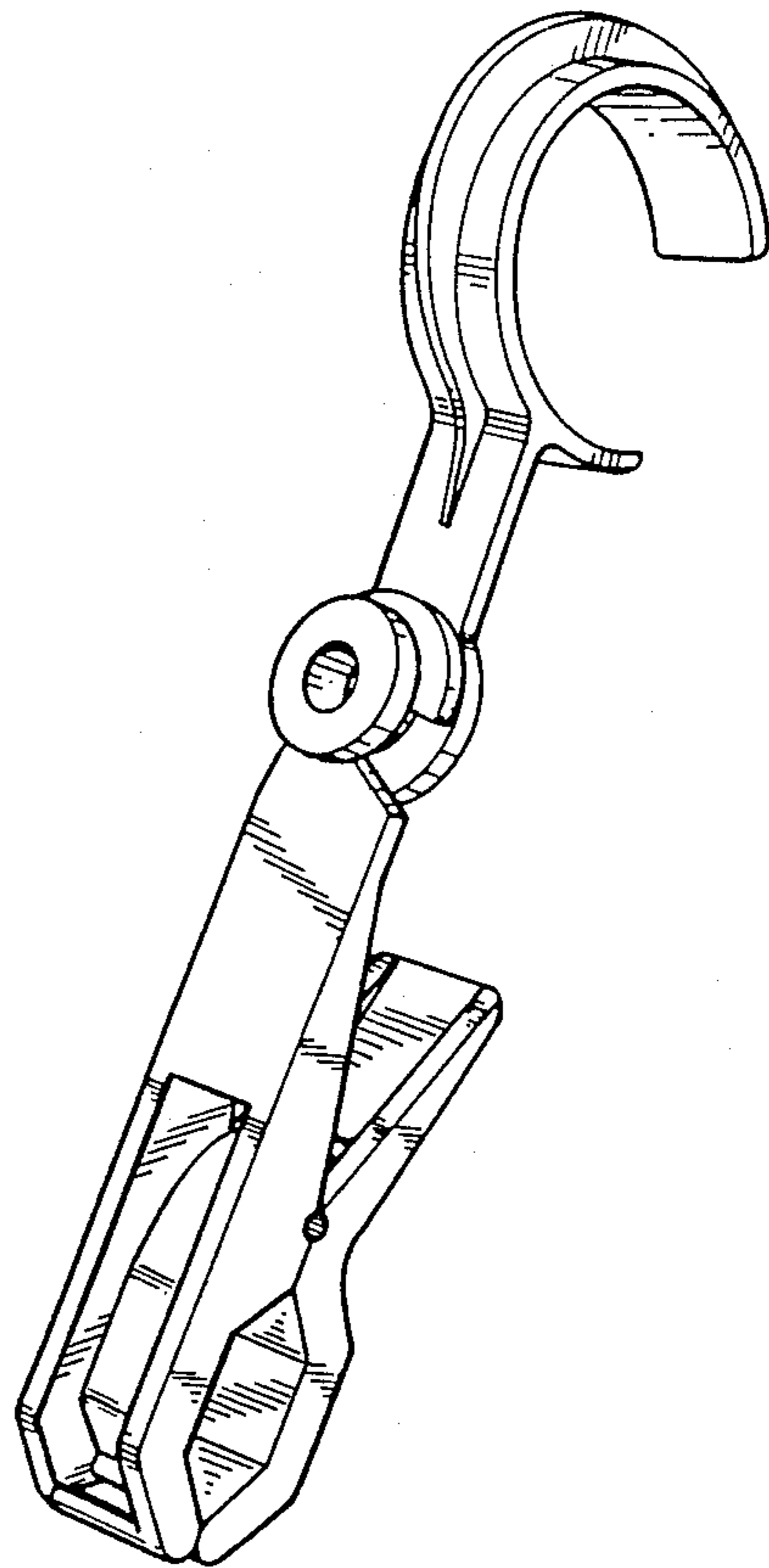
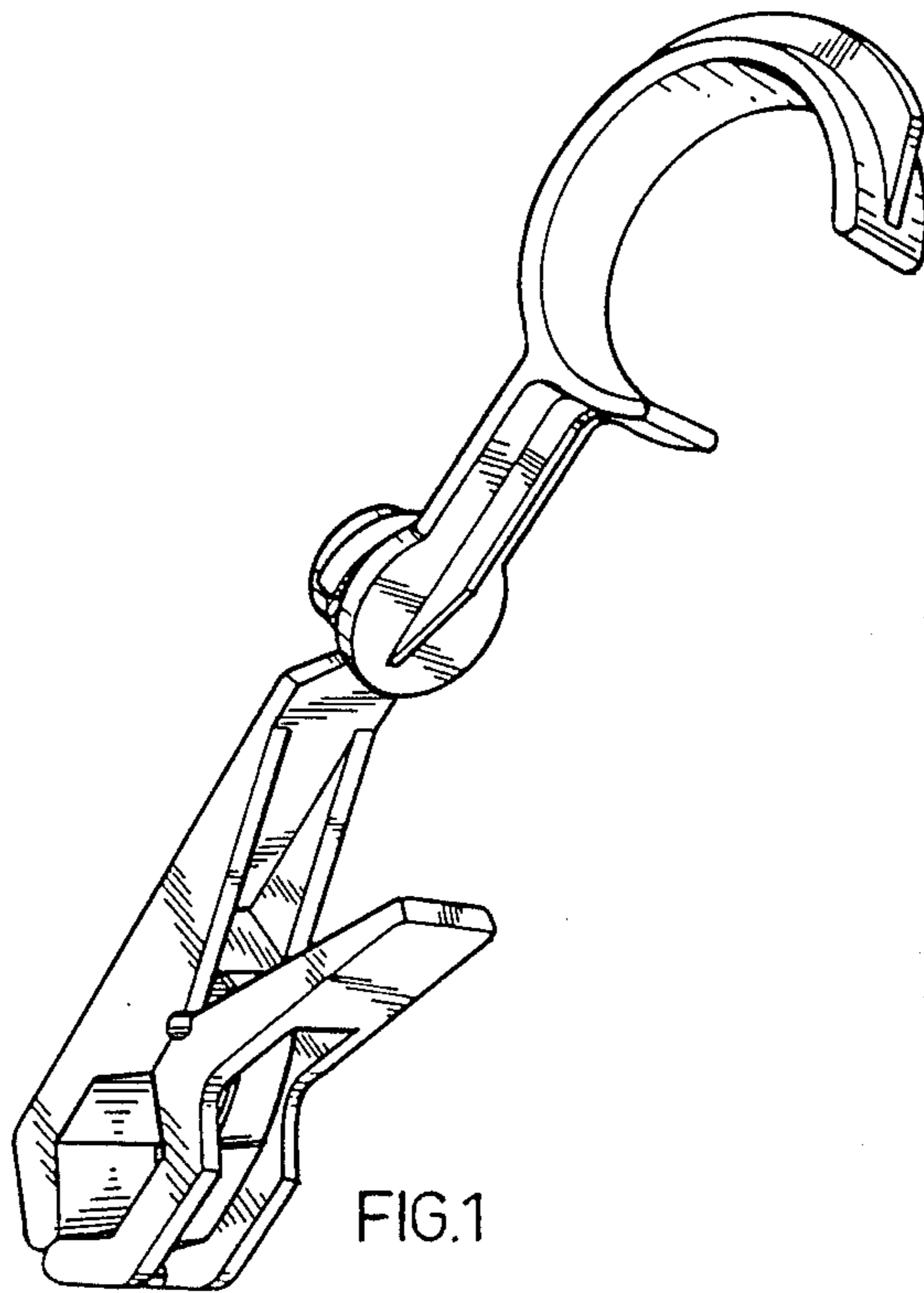
FIG. 3 is a side view taken from the right of FIG. 1;

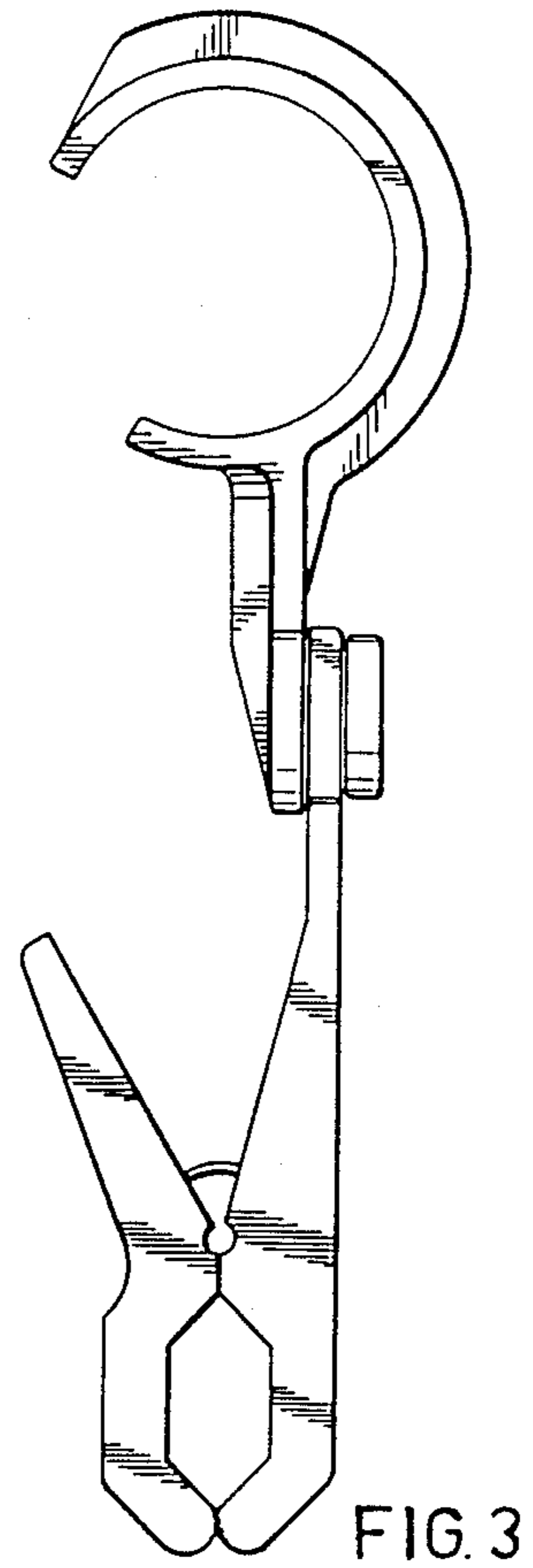
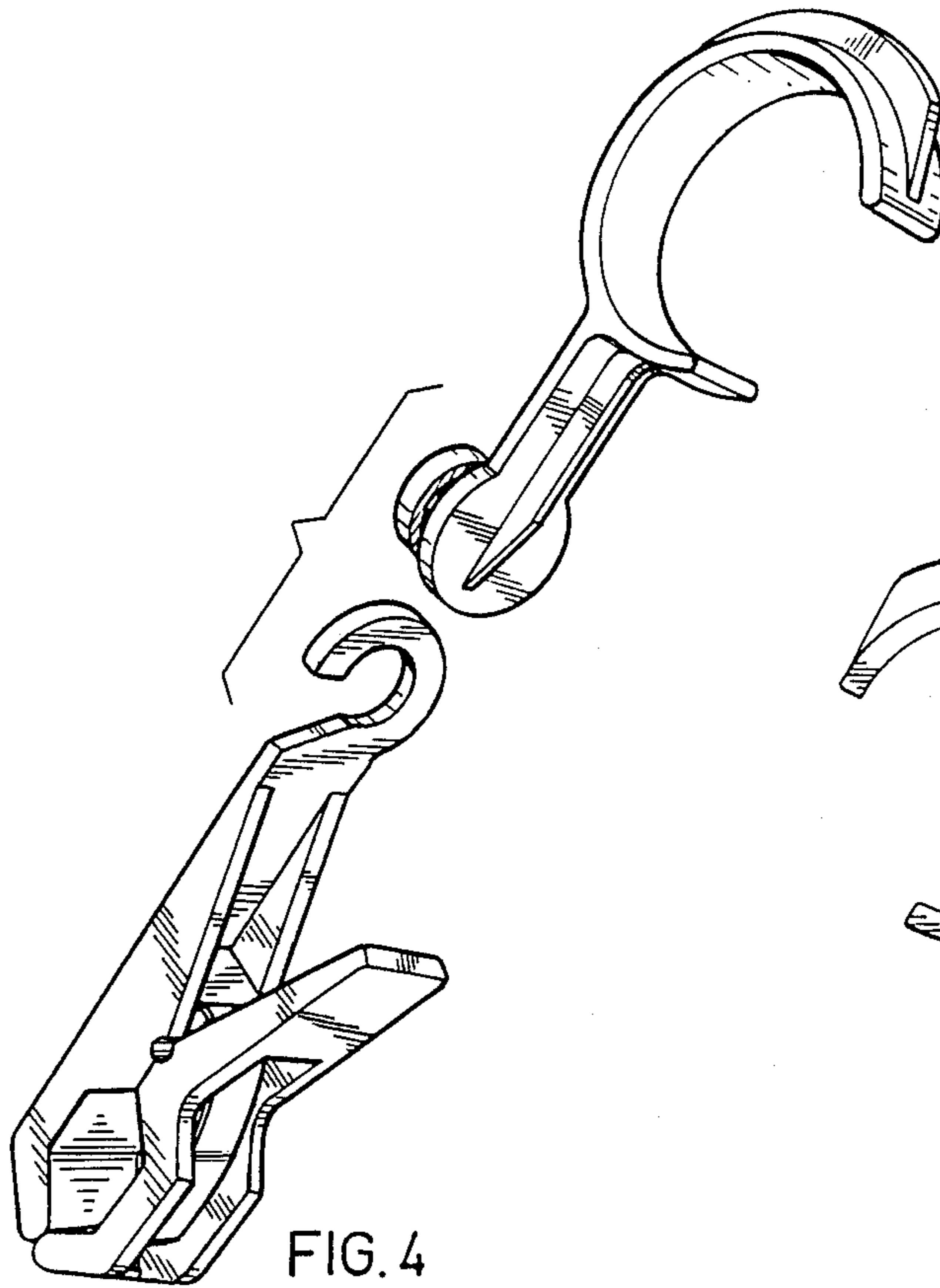
FIG. 4 is an exploded perspective view thereof;

FIG. 5 is an exploded perspective view from the side opposite that shown in FIG. 4; and

FIG. 6 is an exploded perspective view taken from the right of FIG. 4.







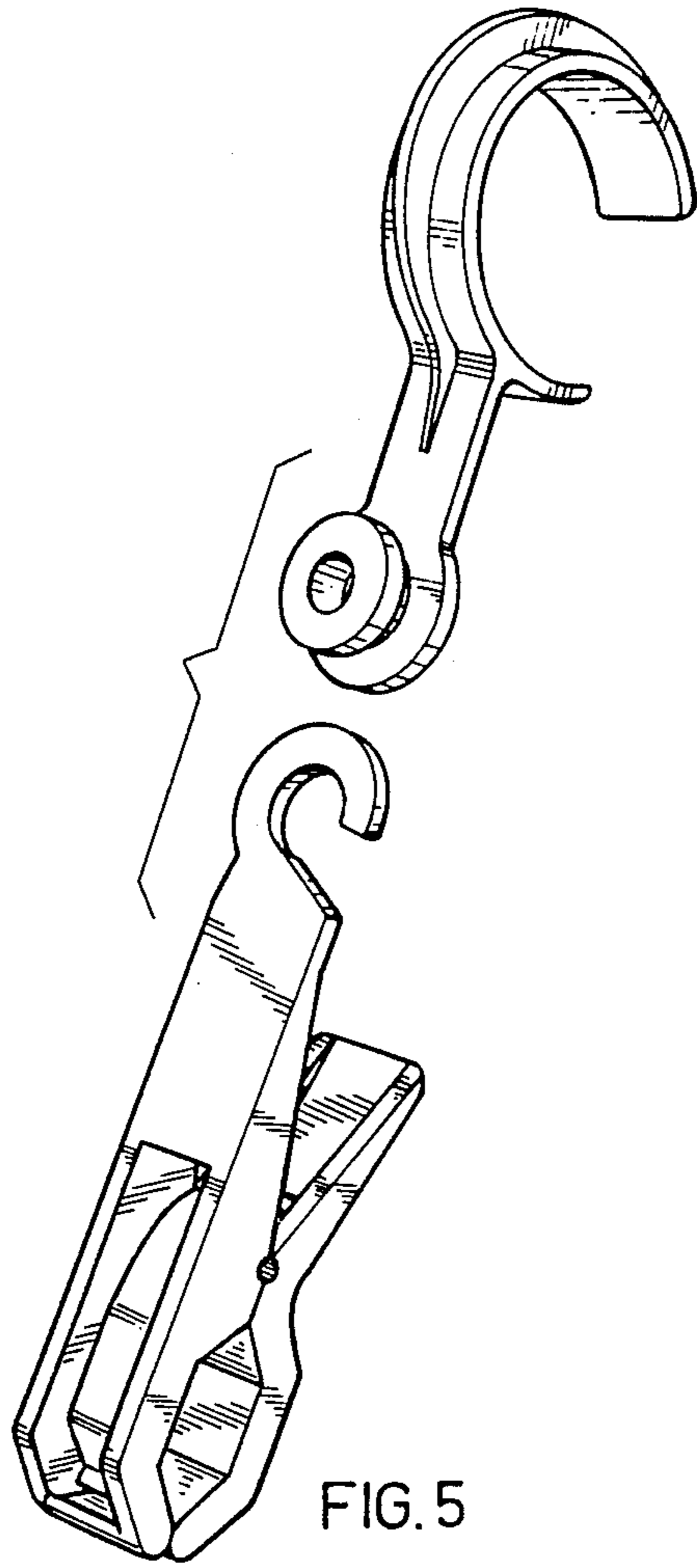


FIG. 5

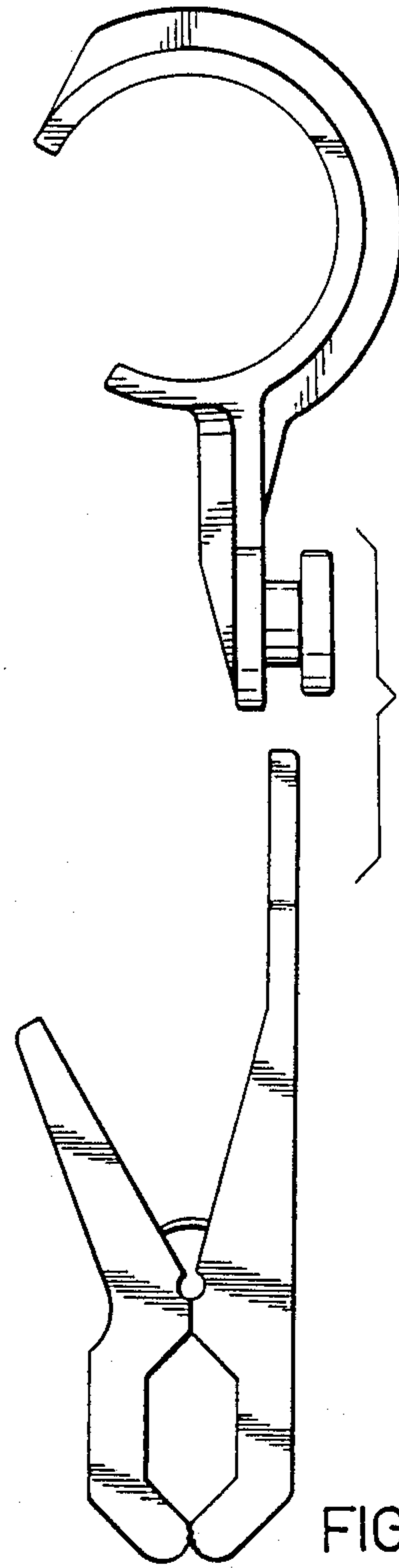


FIG. 6