

[54] **MOP**

[75] **Inventor: Leslie G. Cook, Earlsfield, United Kingdom**

[73] **Assignee: Vitopan Limited, London, England**

[\*\*] **Term: 14 Years**

[21] **Appl. No.: 792,317**

[22] **Filed: Oct. 28, 1985**

[30] **Foreign Application Priority Data**

May 1, 1985 [GB] United Kingdom ..... 1026550  
[52] **U.S. Cl.** ..... **D32/44; D32/50; D32/51**  
[58] **Field of Search** ..... **D32/44, 50, 51; 15/229, 15/116 R, 116 A, 119 R, 119 A, 147 R, 147 A, 147 B, 147 C, 147 D**

[56] **References Cited**

**U.S. PATENT DOCUMENTS**

D. 204,662	5/1966	Benjamin .....	D32/50
D. 205,500	8/1966	Deitel et al. ....	D32/44
2,192,861	3/1940	Burchell .....	D32/50 X
2,800,674	7/1957	Flagstad .....	D32/50 X
2,932,048	4/1960	Yamen et al. ....	15/147 R
3,085,271	4/1963	Janssen .....	15/147 A

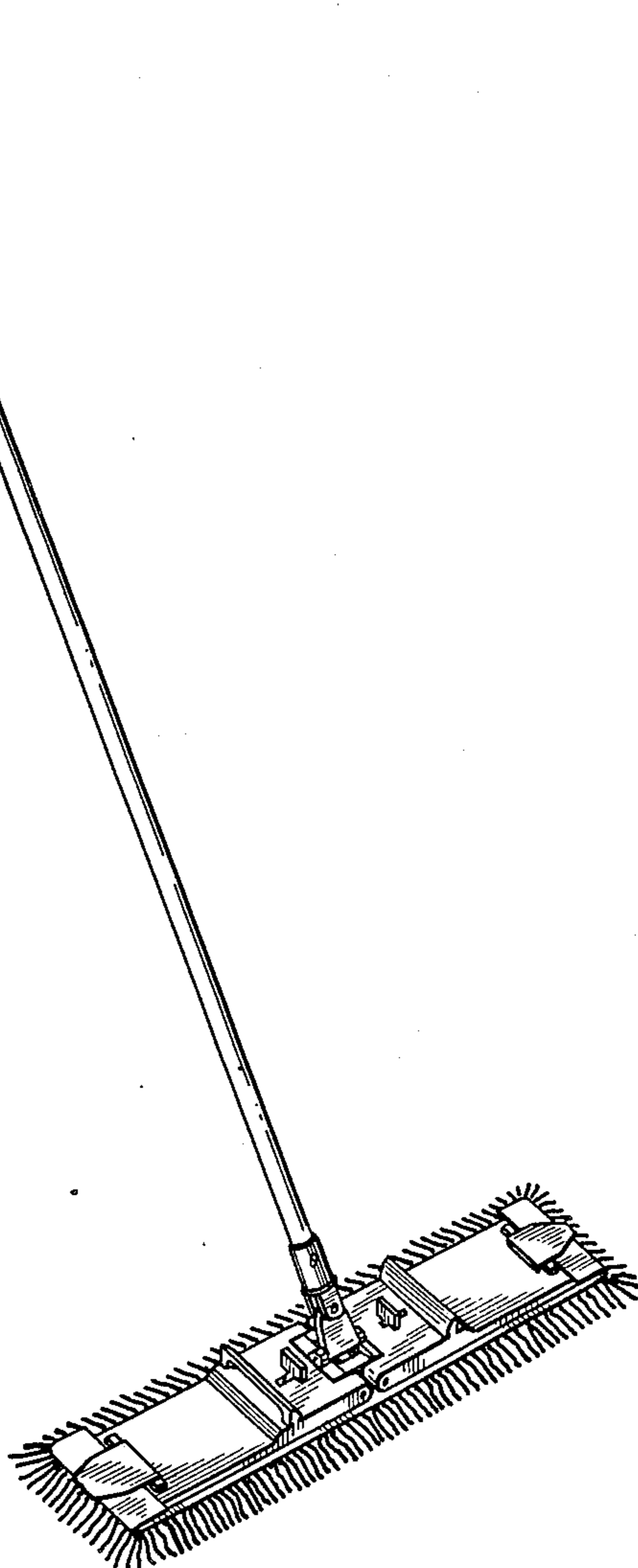
*Primary Examiner*—Catherine E. Kemper  
*Attorney, Agent, or Firm*—Sixbey, Friedman & Leedom

[57] **CLAIM**

The ornamental design for a mop, substantially as shown.

**DESCRIPTION**

FIG. 1 is a perspective view of a mop, showing my new design;  
FIG. 2 is a front elevational view thereof; and  
FIG. 3 is a fragmentary front elevational view of the mop as it appears when collapsed.  
FIG. 4 is a bottom plan view thereof.



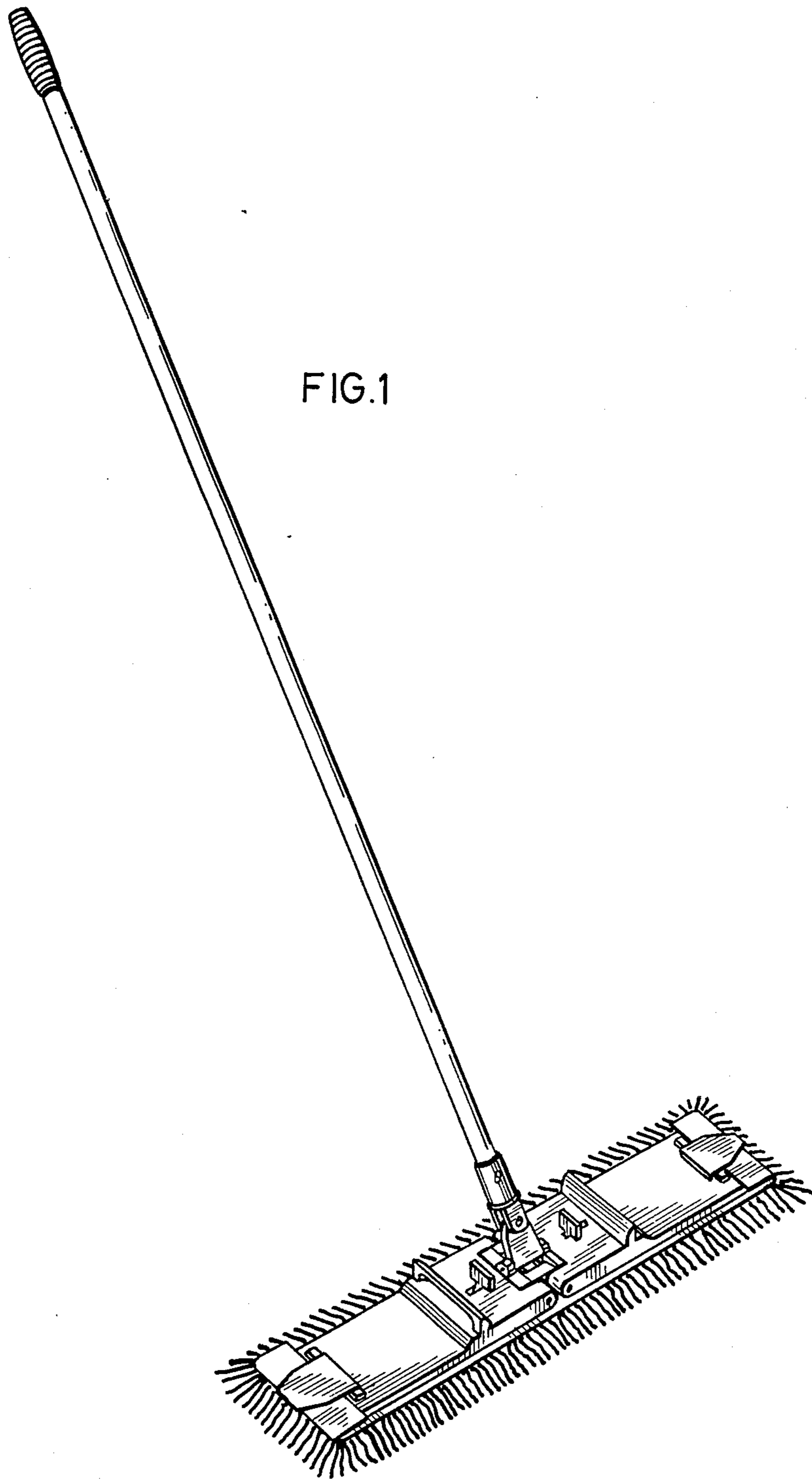


FIG. 1

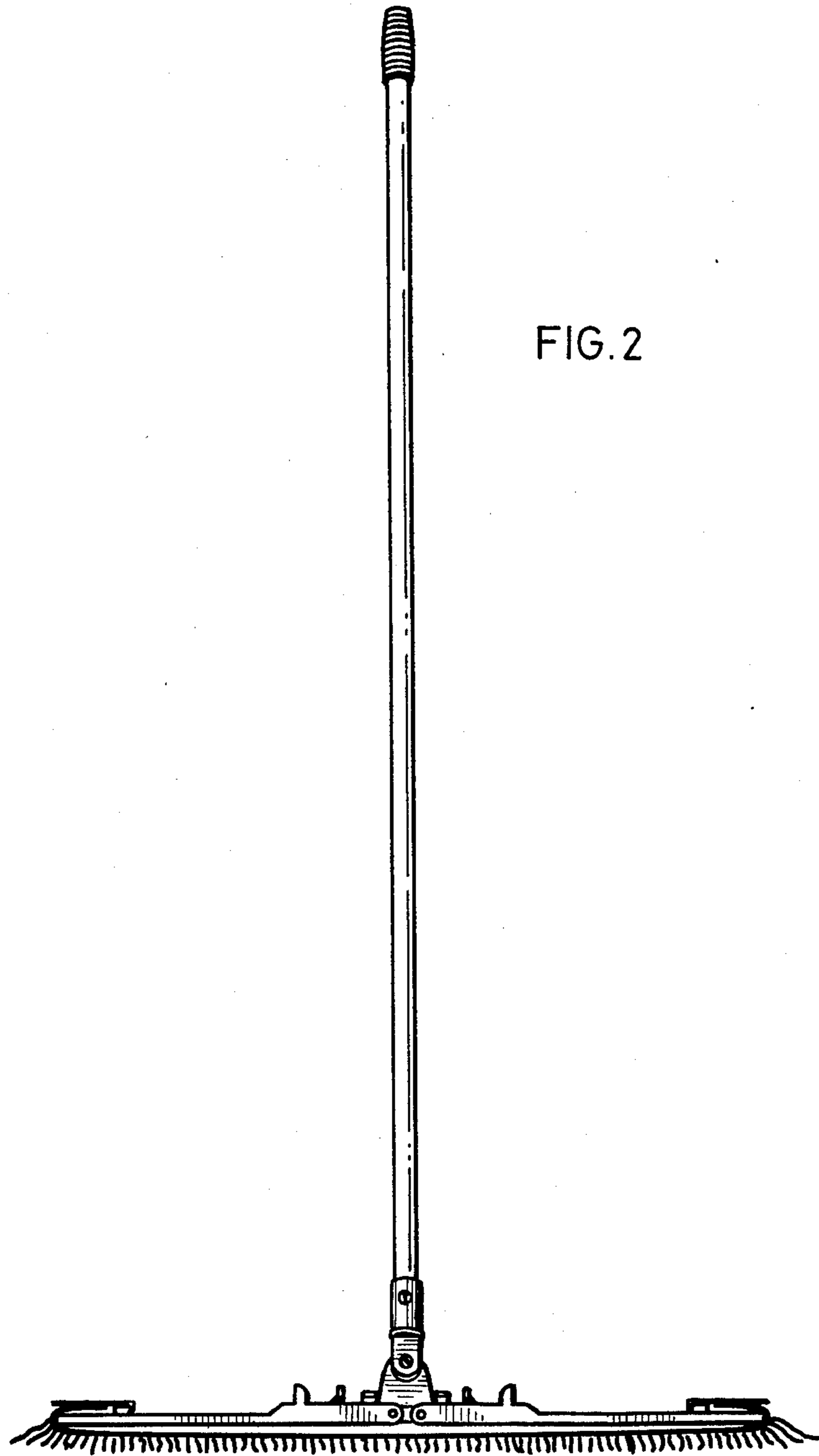


FIG. 2

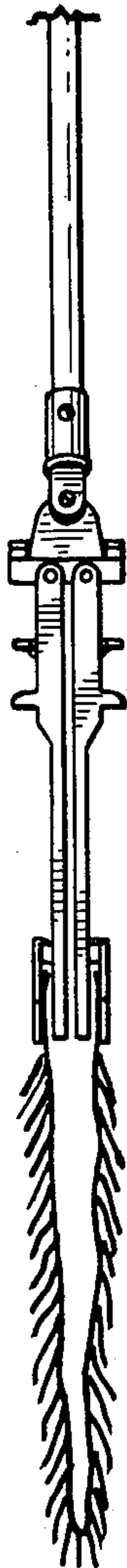


FIG. 3

FIG. 4

