

[54] FLASHLIGHT

[75] Inventor: Billy S. Ingram, II, Jamestown, N.C.

[73] Assignee: Black & Decker Inc., Newark, Del.

[**] Term: 14 Years

[21] Appl. No.: 750,402

[22] Filed: Jun. 28, 1985

[52] U.S. Cl. D26/46

[58] Field of Search D26/37-50;
362/157, 158, 183-208

[56] References Cited

U.S. PATENT DOCUMENTS

- D. 113,146 1/1938 Ritter .
- D. 205,679 9/1966 Moore et al. .
- D. 226,022 1/1973 Holtzman .
- D. 248,120 6/1978 Ho .
- D. 272,476 1/1984 McClosky et al. D26/46
- D. 282,289 1/1986 Verdier D26/46
- D. 291,010 7/1987 Fenne D26/46
- 1,469,783 10/1923 Essington .
- 3,825,740 7/1974 Friedman .

FOREIGN PATENT DOCUMENTS

- 52478 2/1984 Canada .

OTHER PUBLICATIONS

Black & Decker Household Products catalog, 1984-85, covers, pp. 8 & 9, Flashlights.

Primary Examiner—Susan J. Lucas

Attorney, Agent, or Firm—Dennis A. Dearing; Edward D. Murphy

[57] CLAIM

The ornamental design for a flashlight, as shown and described.

DESCRIPTION

FIG. 1 is a top, front and left side perspective view of a flashlight embodying my new design.

FIG. 2 is a top, rear and right side perspective view thereof.

FIG. 3 is a front elevational view thereof on an enlarged scale.

FIG. 4 is a rear elevational view thereof on an enlarged scale.

FIG. 5 is a top plan view thereof on an enlarged scale.

FIG. 6 is a bottom plan view thereof on an enlarged scale.

FIG. 7 is a left side elevational view thereof on an enlarged scale.

FIG. 8 is a right side elevational view thereof, on an enlarged scale.

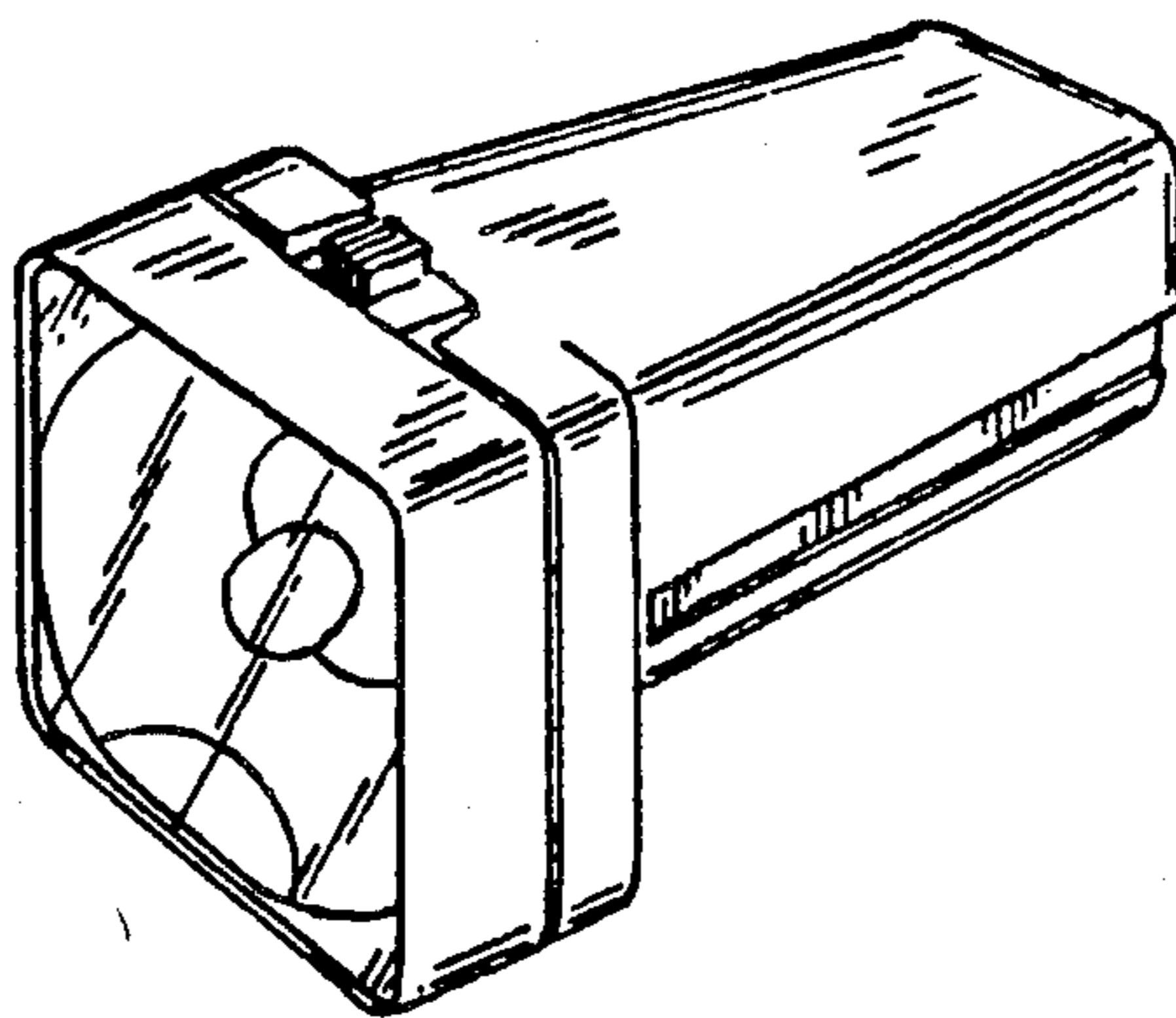


FIG. 1

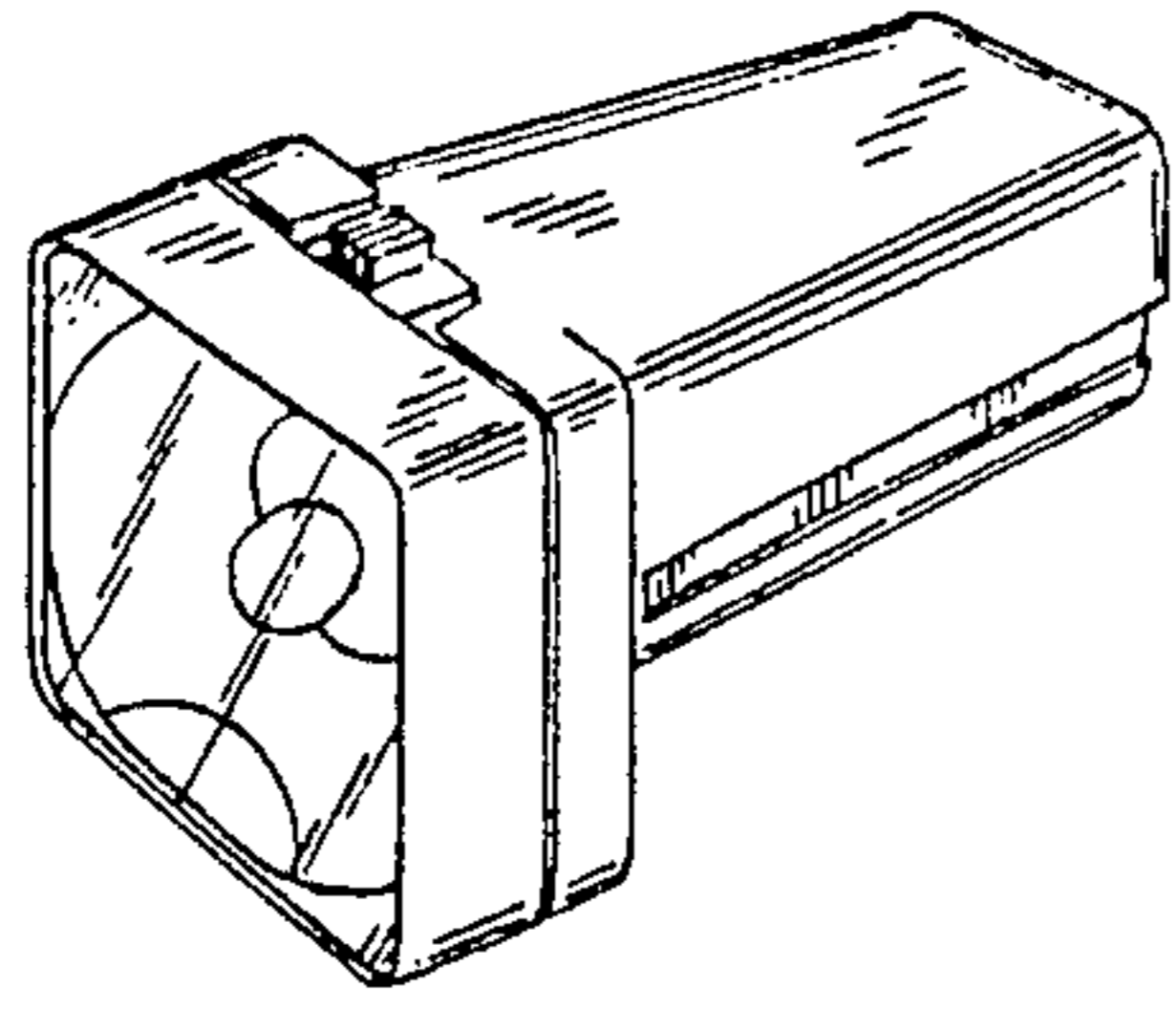


FIG. 2

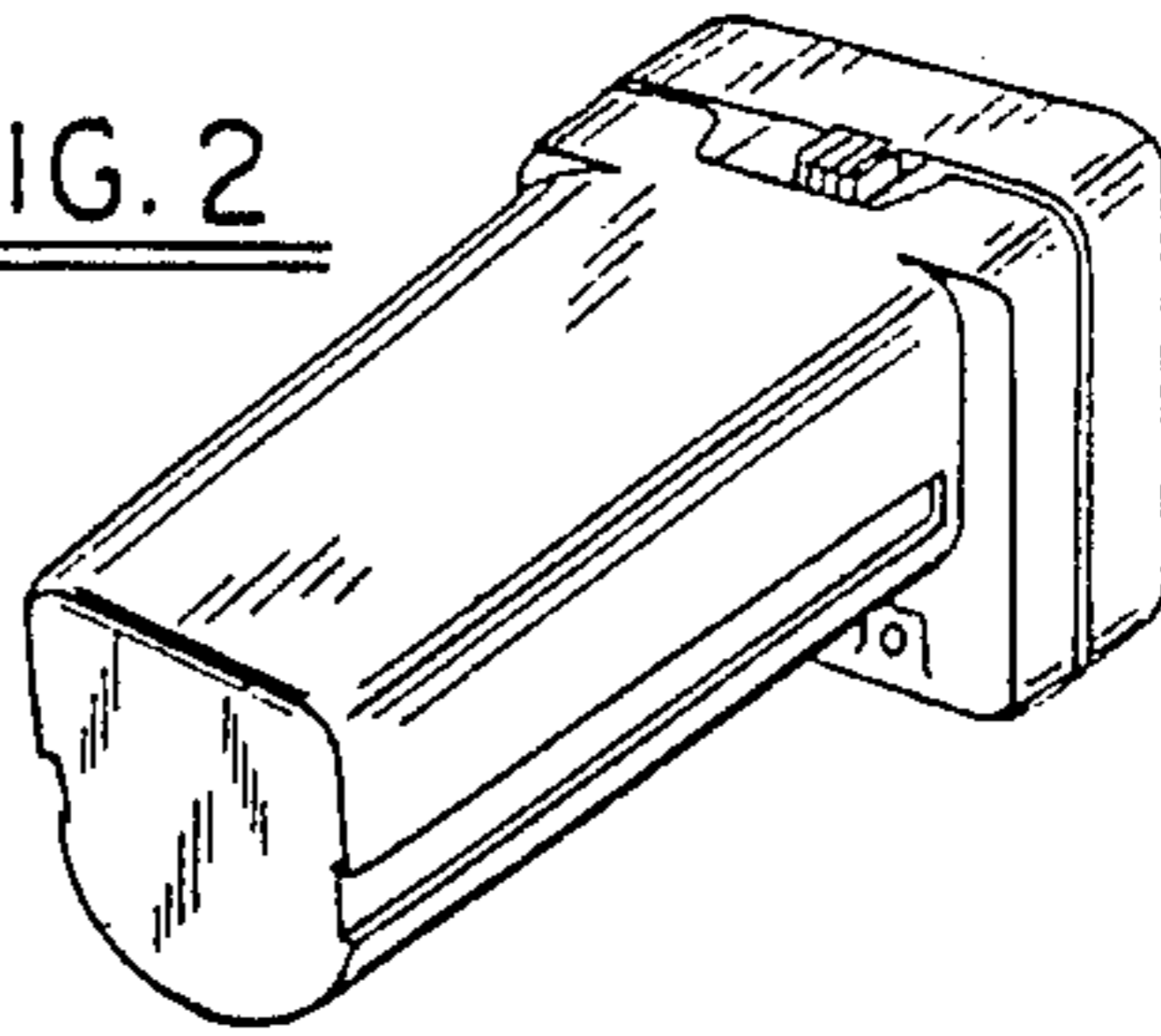


FIG. 3

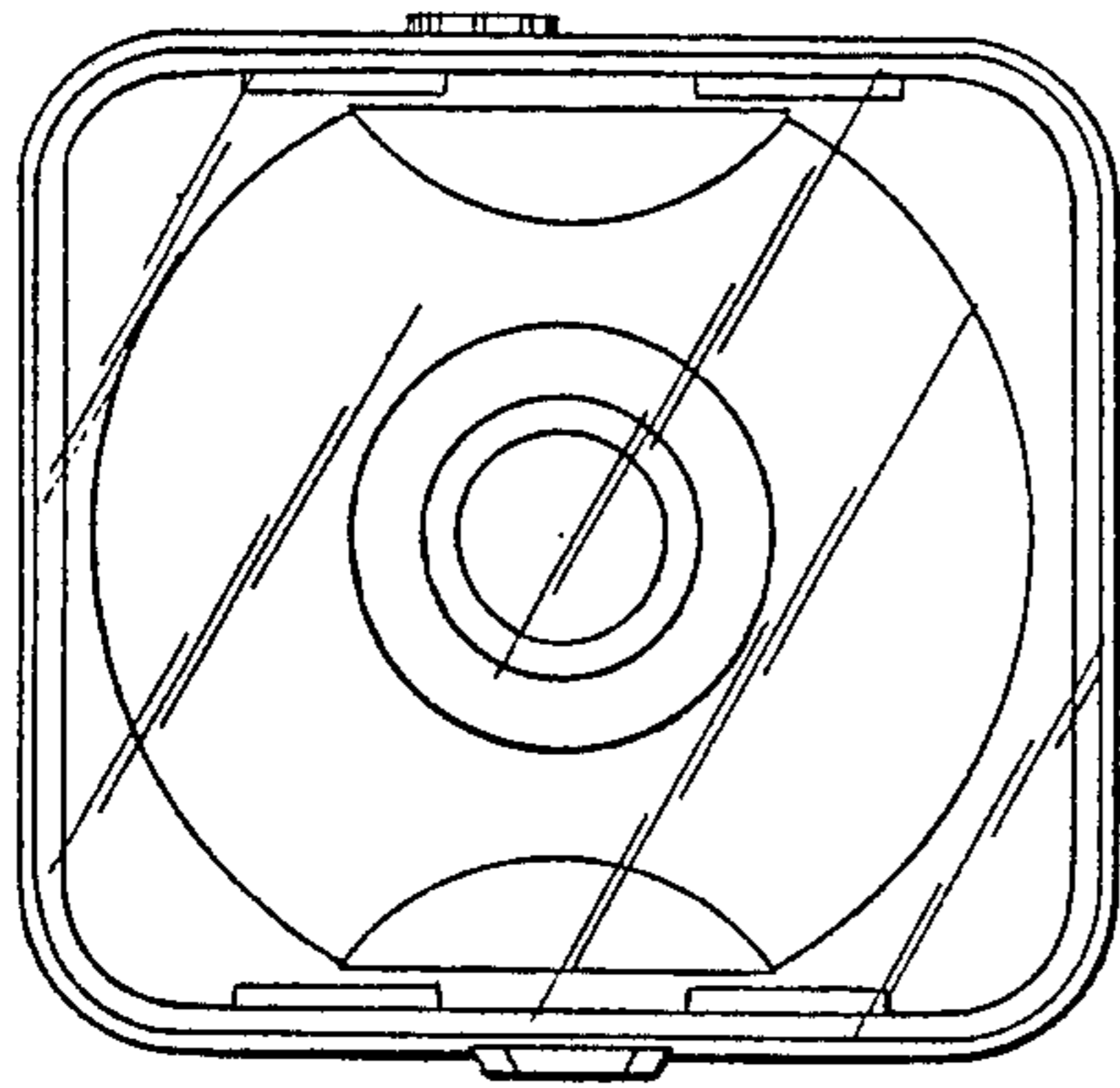


FIG. 4

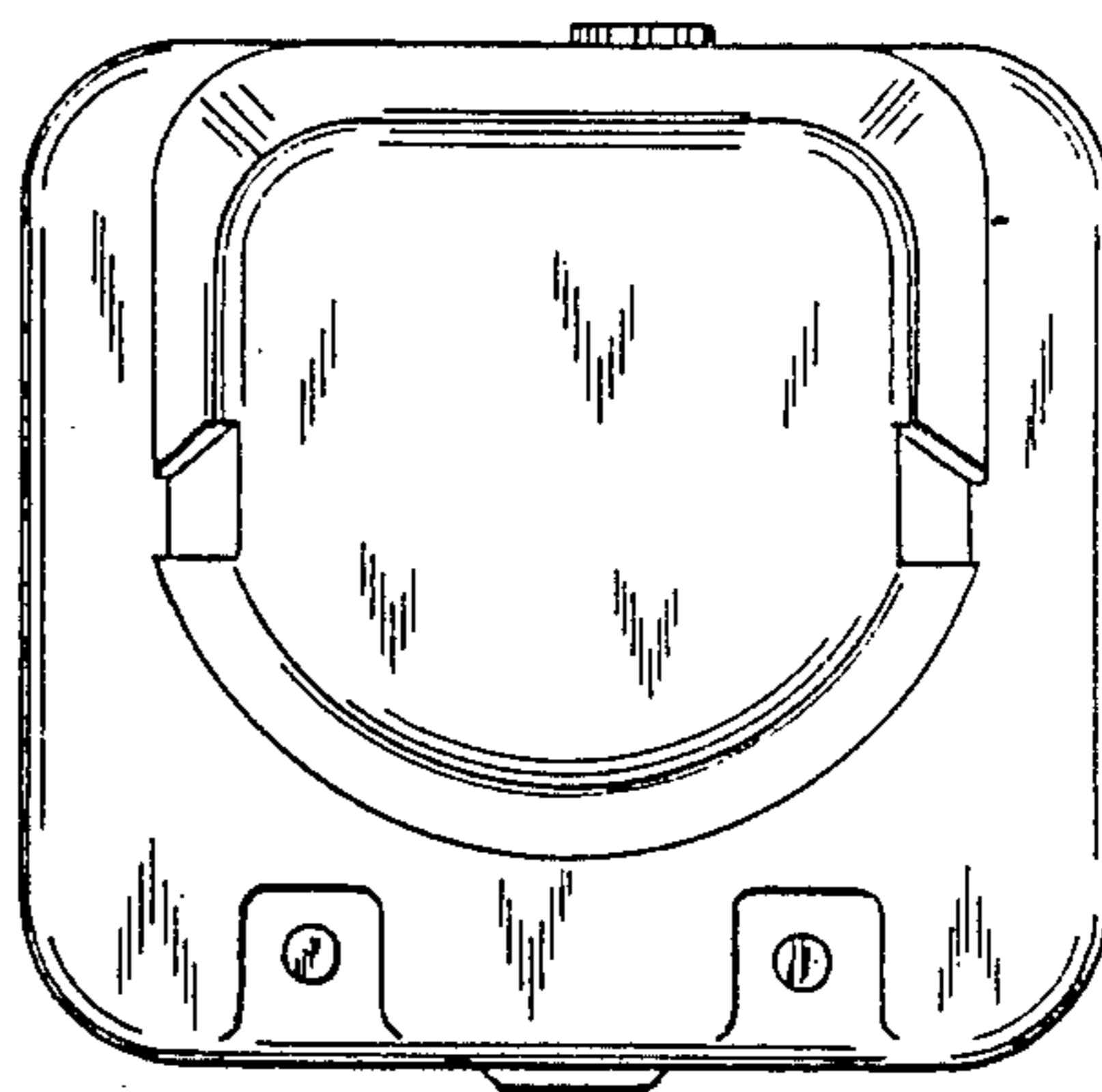


FIG. 5

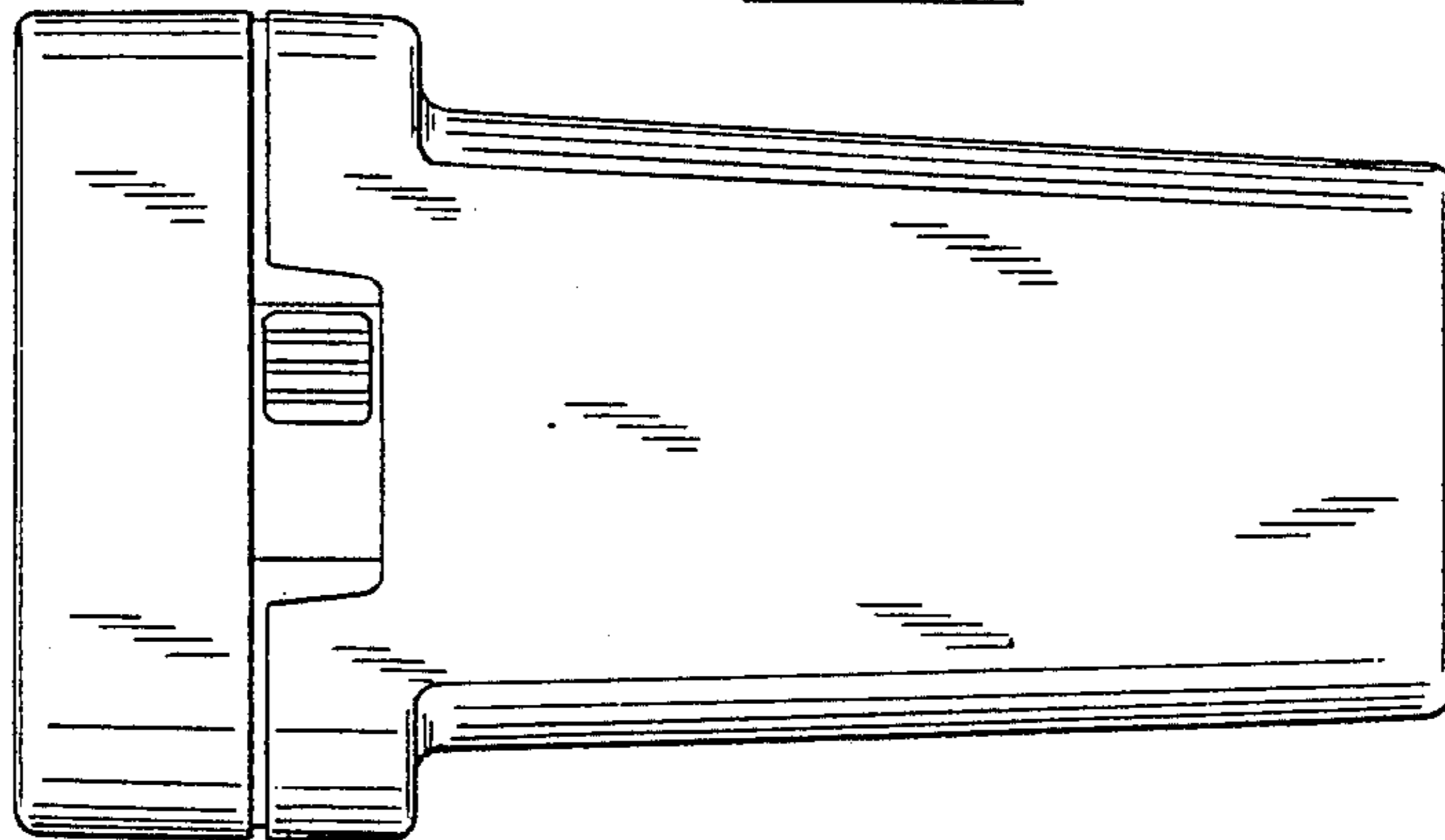


FIG. 6

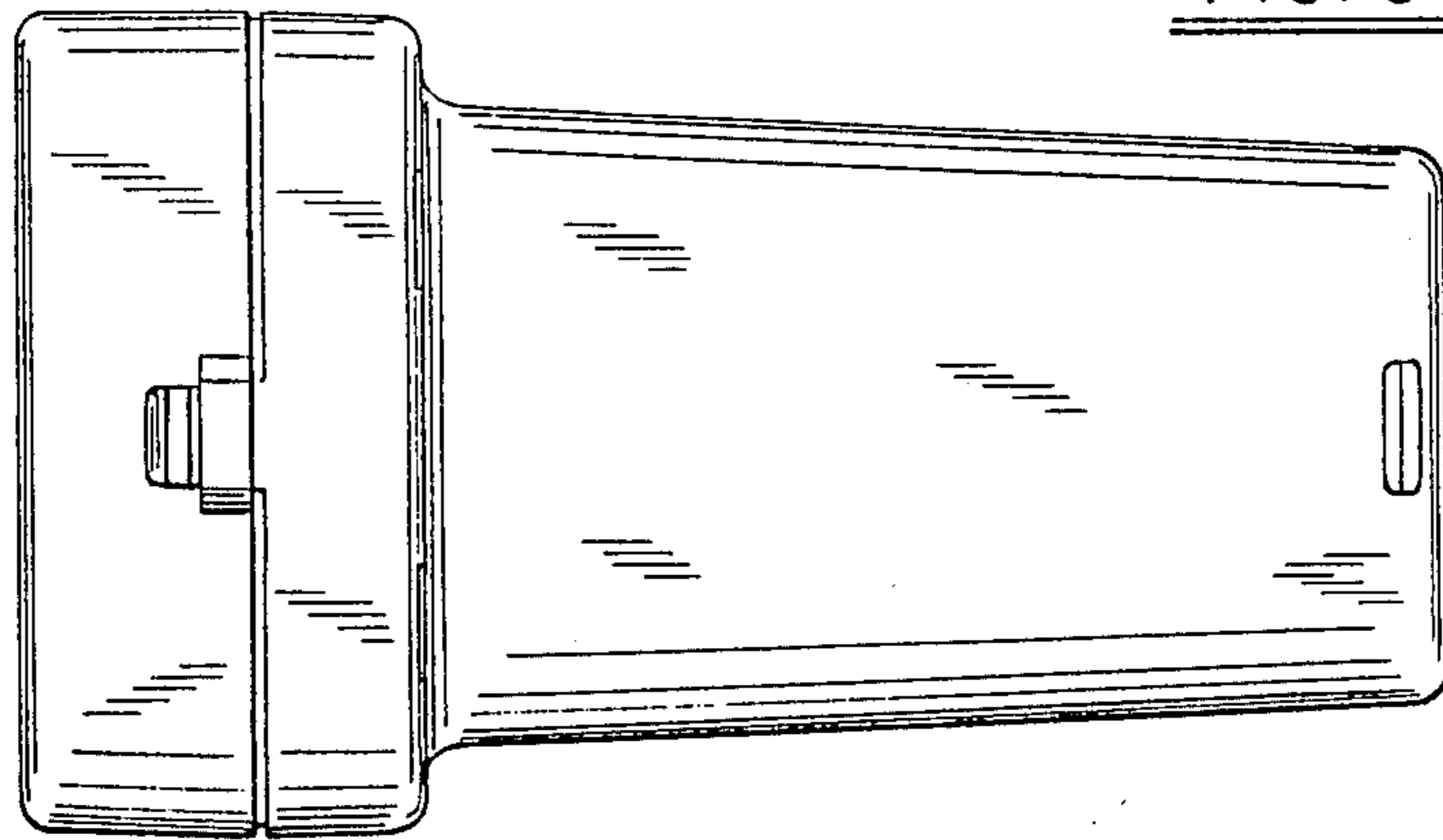


FIG. 7

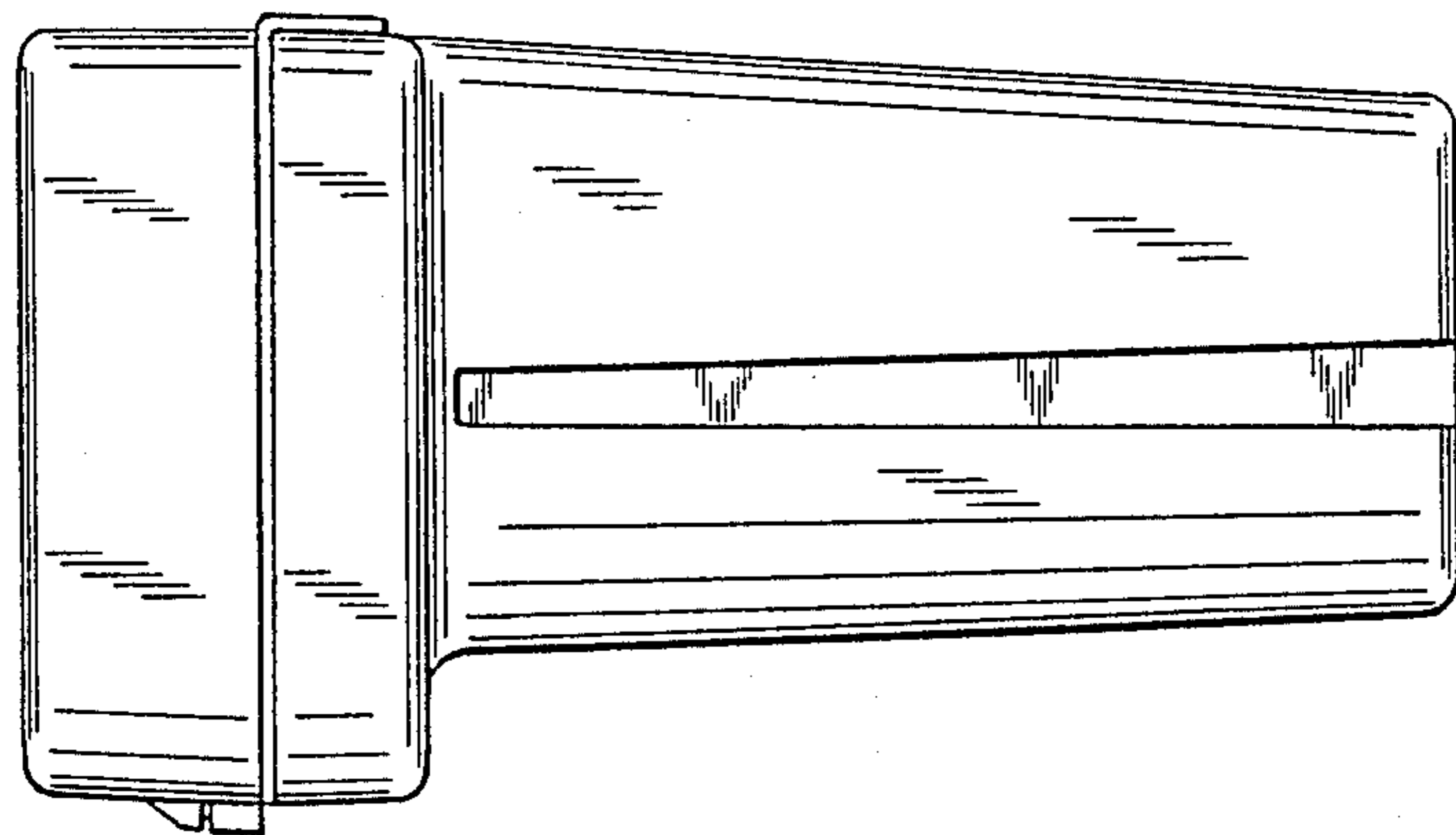


FIG. 8

