

[54] COMBINED SPIKE AND DROP FORMER HOUSING FOR ENTERIC SET

[75] Inventor: Thomas R. Sternweiler, San Diego, Calif.

[73] Assignee: Ivac Corporation, San Diego, Calif.

[\*\*] Term: 14 Years

[21] Appl. No.: 643,861

[22] Filed: Aug. 23, 1984

[52] U.S. Cl. .... D24/52; D24/53

[58] Field of Search ..... D24/53, 52, 24; 604/405, 411, 251, 254, 127, 325; 222/420

[56] References Cited

U.S. PATENT DOCUMENTS

D. 268,698	4/1983	Knute	.....	D24/52
2,746,455	5/1956	Abel	.....	604/411
3,857,392	12/1974	Ogle	.....	604/251 X
4,234,095	11/1980	Safianoff	.....	604/405 X

Primary Examiner—A. Hugo Word  
Assistant Examiner—Stella M. Reid  
Attorney, Agent, or Firm—Fulwider Patton Rieber Lee & Utecht

[57] CLAIM

The ornamental design for a combined spike and drop former housing for enteric set, substantially as shown and described.

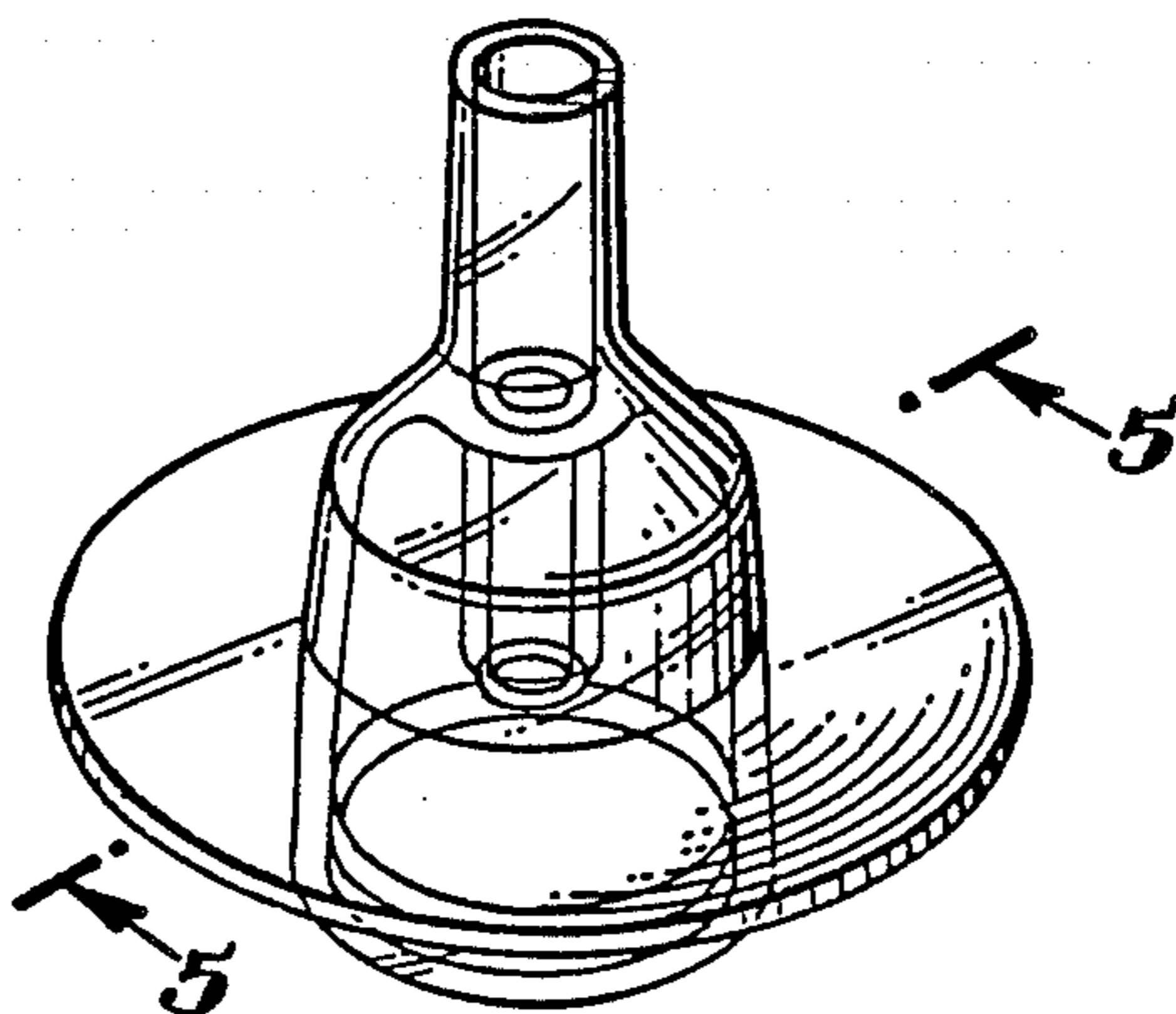
DESCRIPTION

FIG. 1 is a perspective view of a combined spike and drop former housing for enteric set embodying my new design;

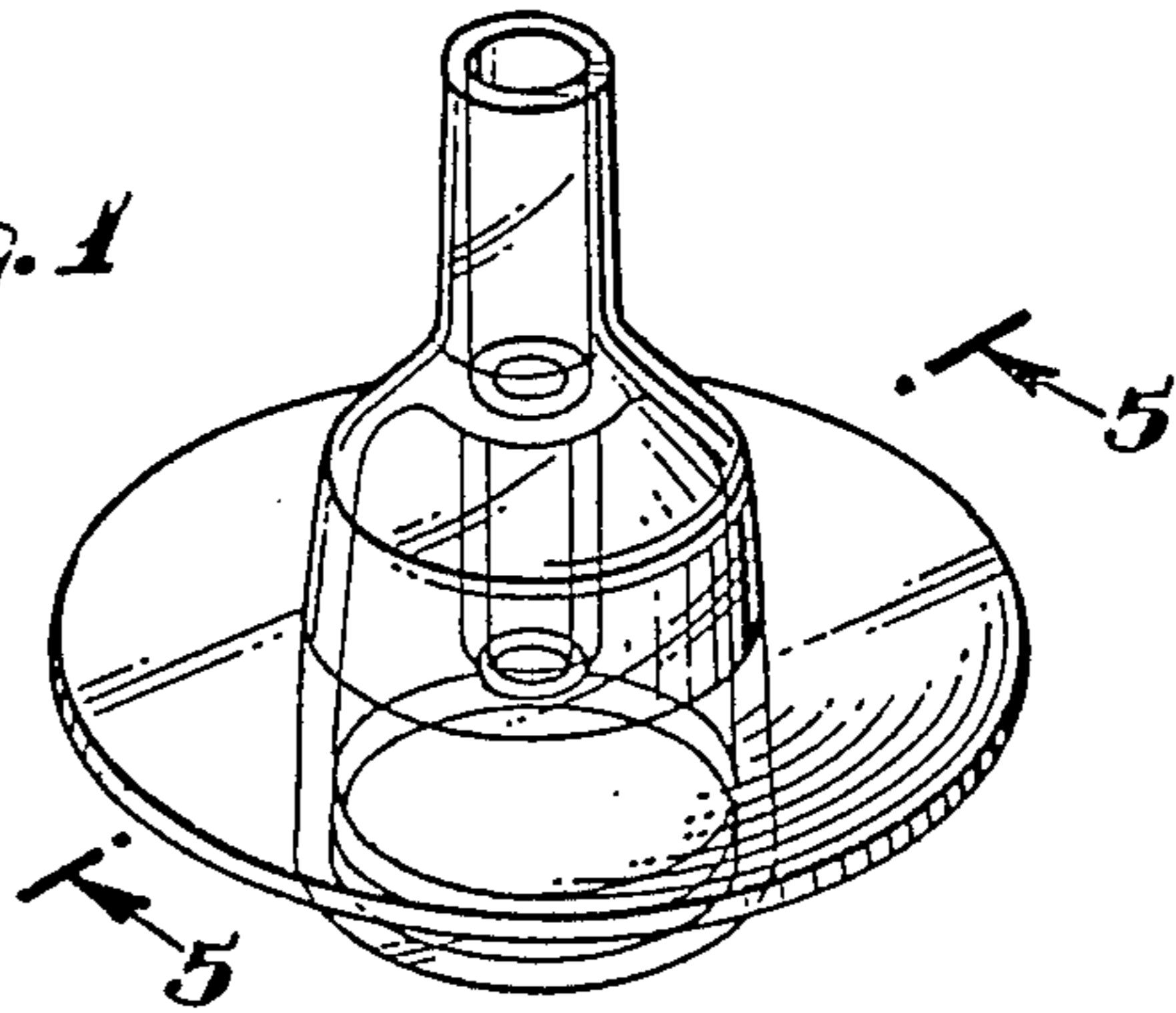
FIG. 2 is a front elevational view of the set as shown in FIG. 1, with the sides and back elevational view being identical thereto;

FIG. 3 is a top plan view of the set as shown in FIG. 1; FIG. 4 is a bottom plan view of the set as shown in FIG. 1; and

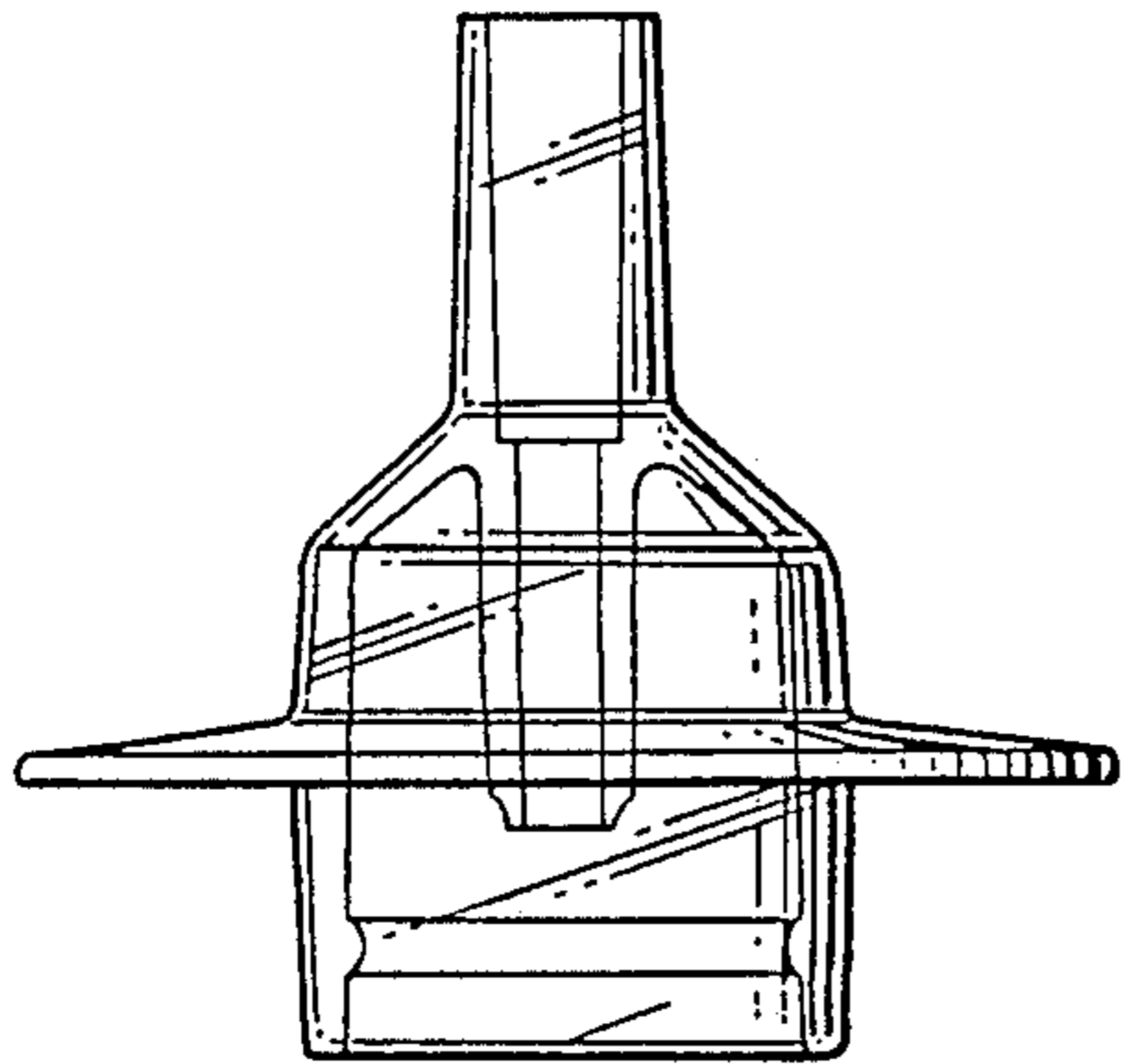
FIG. 5 is a cross-sectional view of the set taken substantially along line 5—5 of FIG. 1.



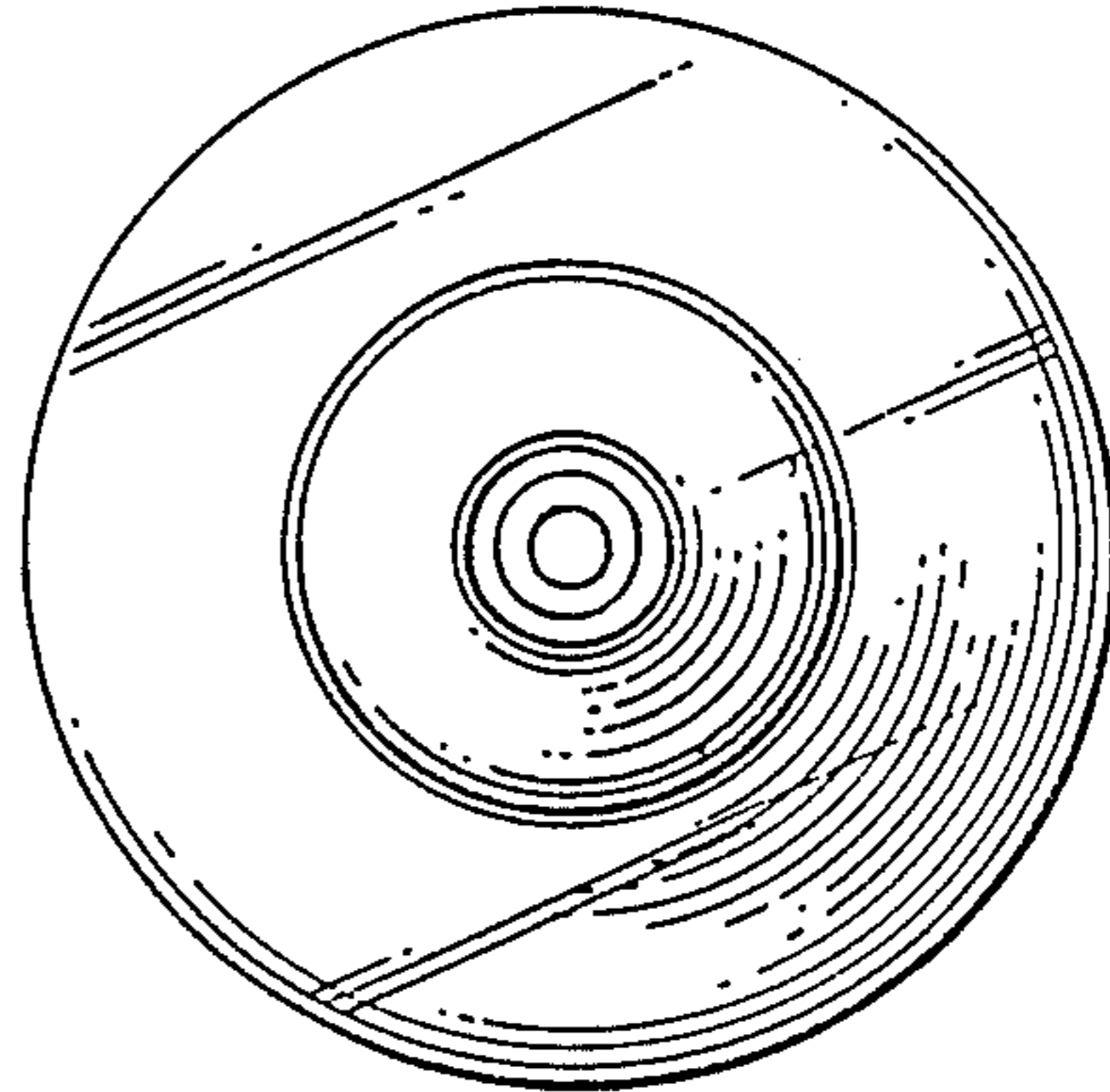
*Fig. 1*



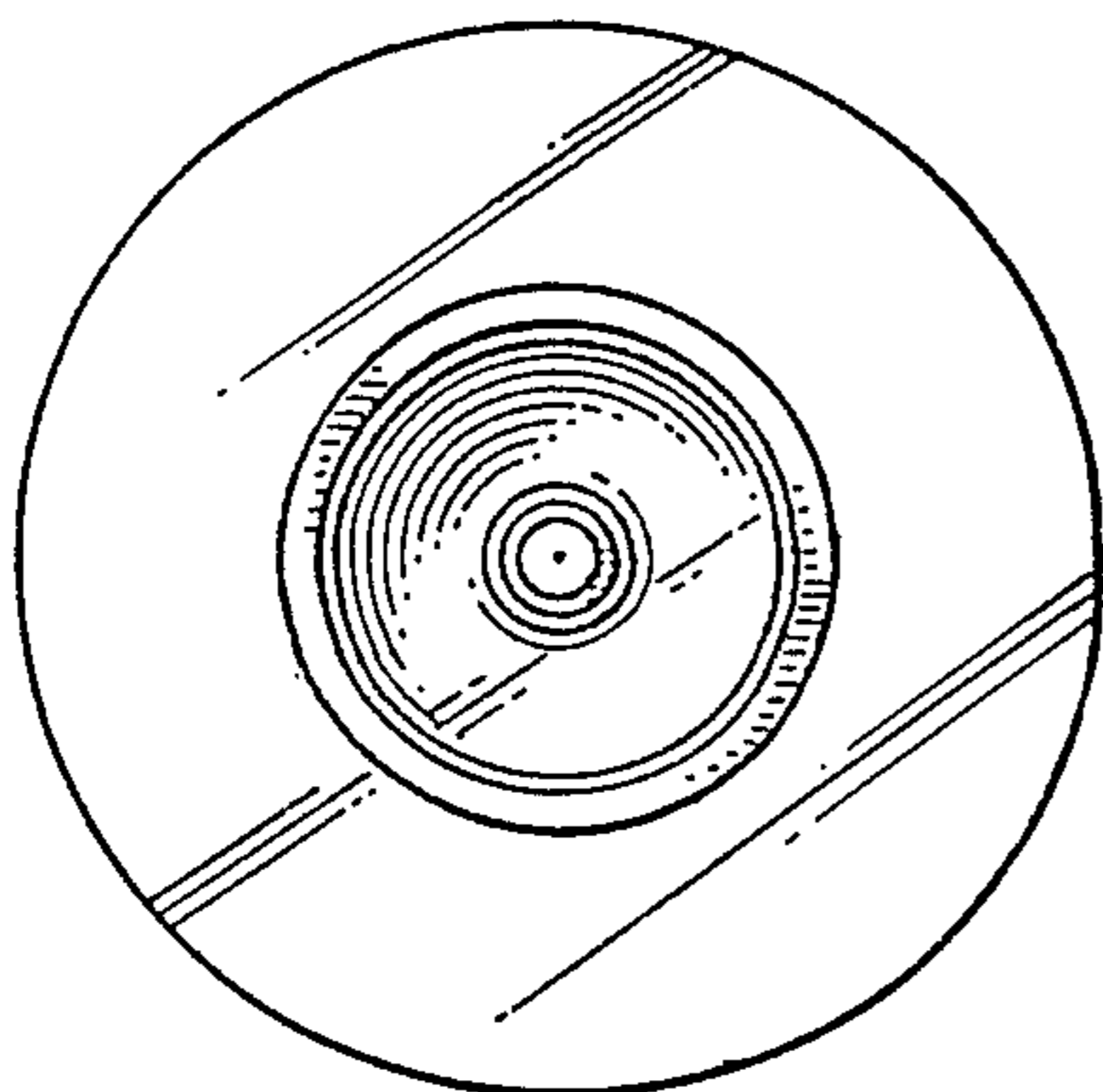
*Fig. 2*



*Fig. 3*



*Fig. 4*



*Fig. 5*

