

[54] PORTABLE ELECTRONIC BLOOD PRESSURE MONITOR

[75] Inventors: Richard Avoy, Dunedin; Daryl L. Bordon, Temple Terrace; Gregory J. Gruzdownich; Rush W. Hood, both of Tampa, all of Fla.; L. Arthur Burton, Califon, N.J.

[73] Assignee: Critikon, Inc., Tampa, Fla.

[**] Term: 14 Years

[21] Appl. No.: 825,170

[22] Filed: Feb. 3, 1986

[52] U.S. Cl. D24/21; D24/8; D24/17

[58] Field of Search D24/17, 8, 21; 128/670, 128/661, 662, 667-689, 692, 710, 711, 712, 419 D, 419 N, 419 P; D10/57, 60, 46, 75, 78, 81, 102, 103

[56] References Cited

U.S. PATENT DOCUMENTS

- D. 216,537 2/1970 Chuboff et al. D24/17
- D. 225,089 11/1972 Lyons D24/17
- D. 225,090 11/1972 Lyons D24/17
- D. 287,052 12/1986 Ayoy et al. D24/21

Primary Examiner—A. Hugo Word
Assistant Examiner—Stella M. Reid
Attorney, Agent, or Firm—Audley A. Ciamporcero, Jr.

[57] CLAIM

The ornamental design for a portable electronic blood pressure monitor, as shown and described.

DESCRIPTION

FIG. 1 is a perspective view of a portable electronic blood pressure monitor, showing our new design; FIG. 2 is a top plan view thereof; FIG. 3 is a front elevational view thereof; FIG. 4 is a side elevational view thereof; FIG. 5 is a side elevational view thereof, opposite that shown in FIG. 4; FIG. 6 is a rear elevational view thereof; and, FIG. 7 is a bottom plan view thereof.

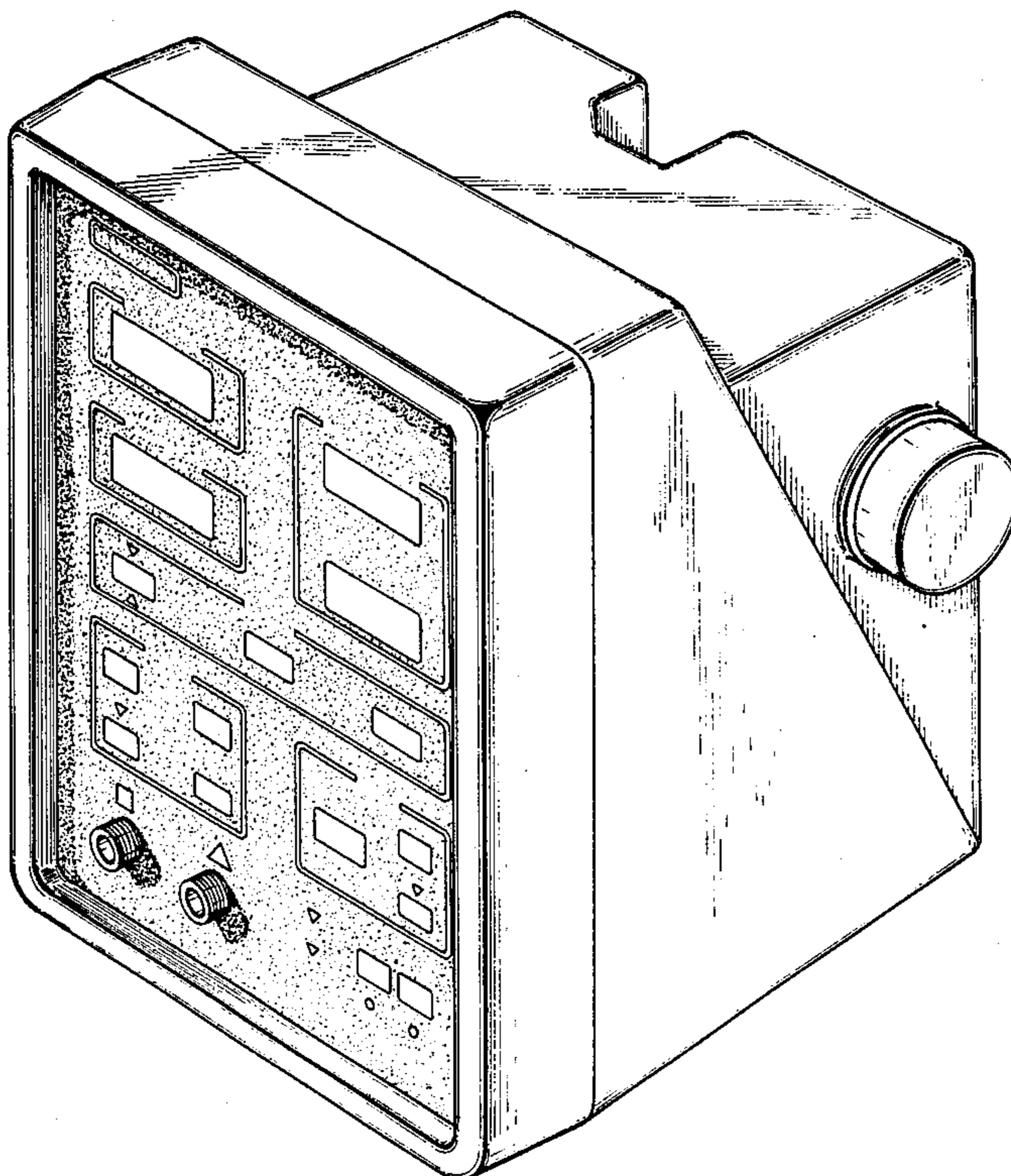


FIG-1

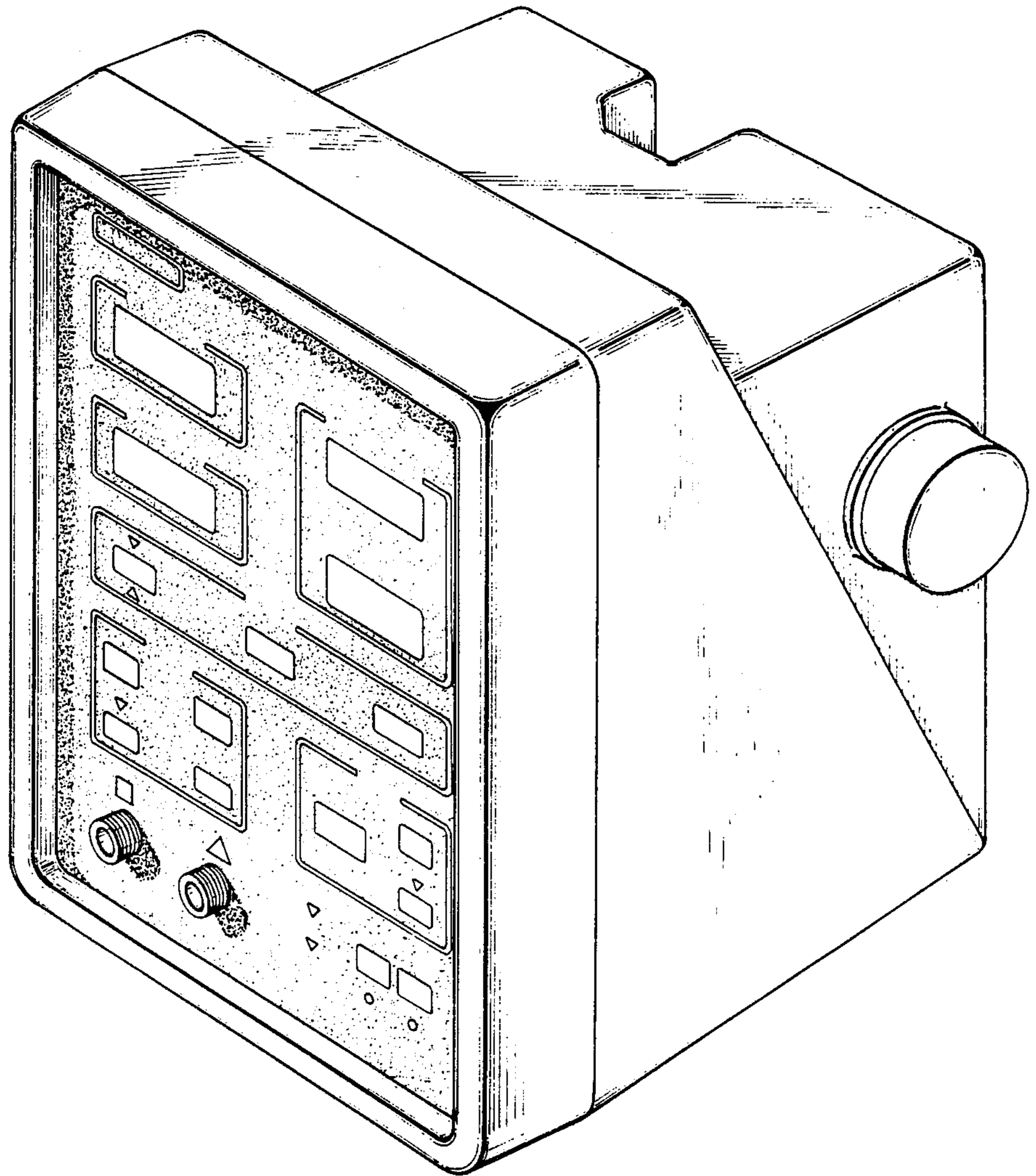


FIG-2

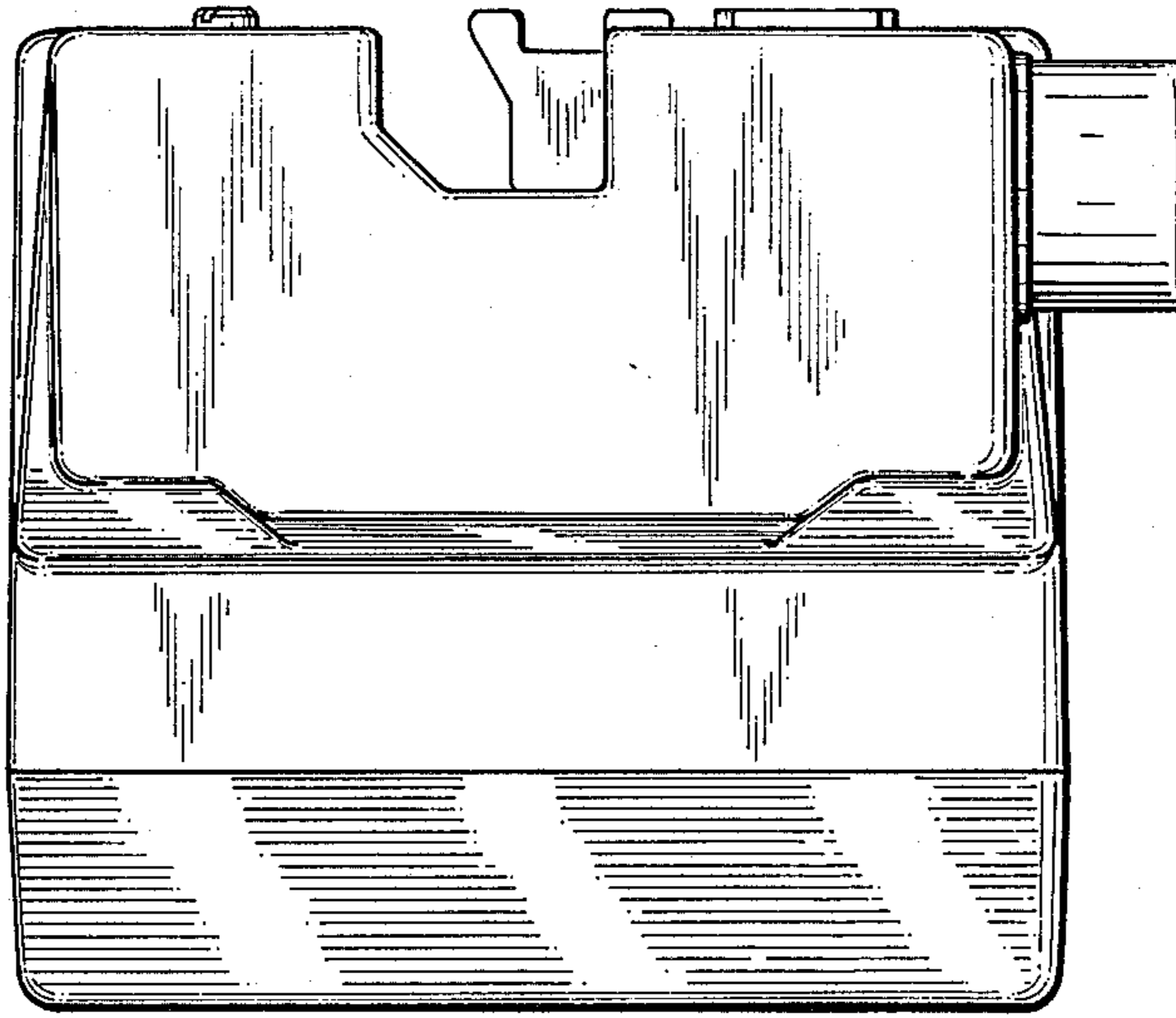


FIG-3

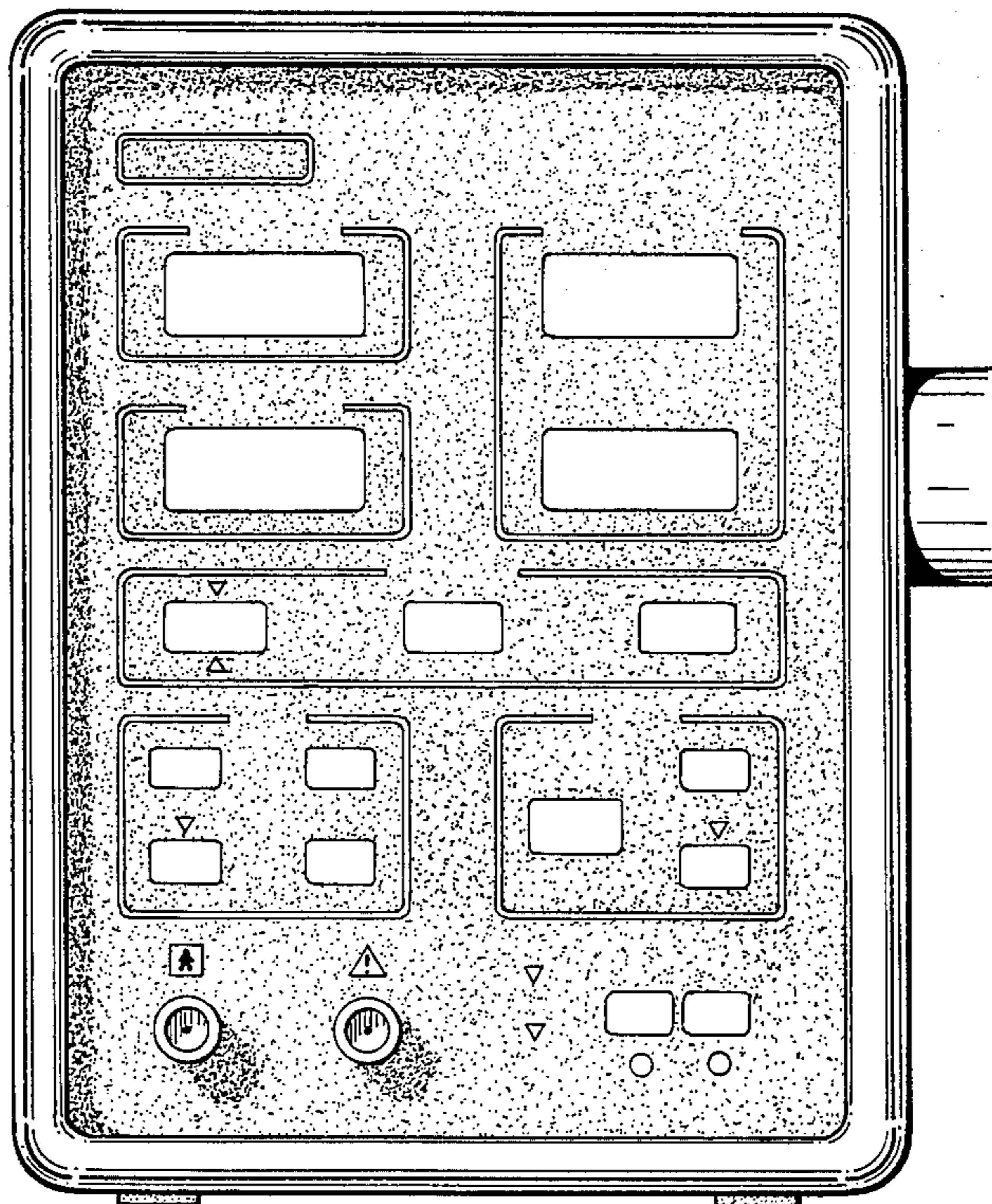


FIG-5

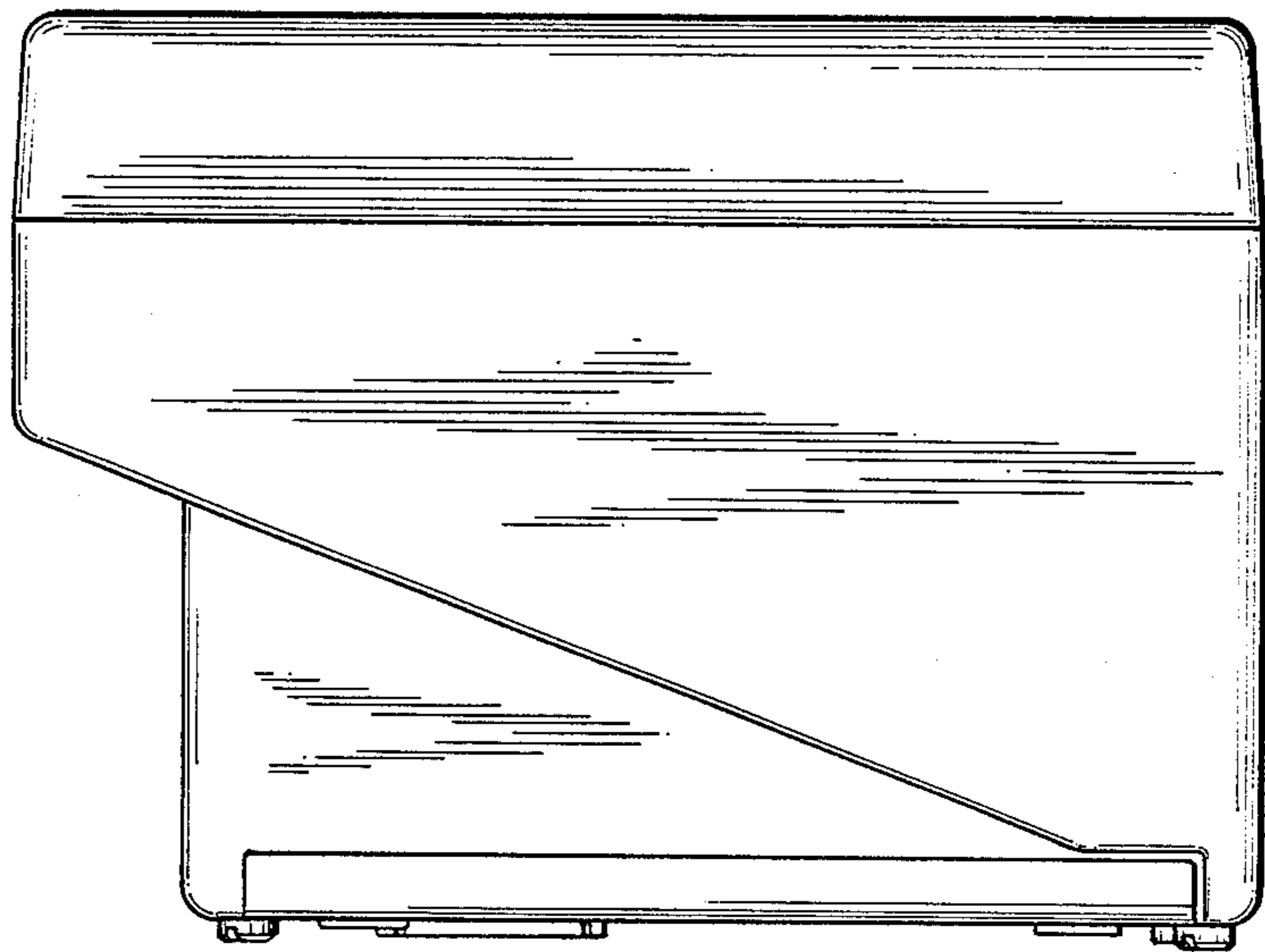


FIG-4

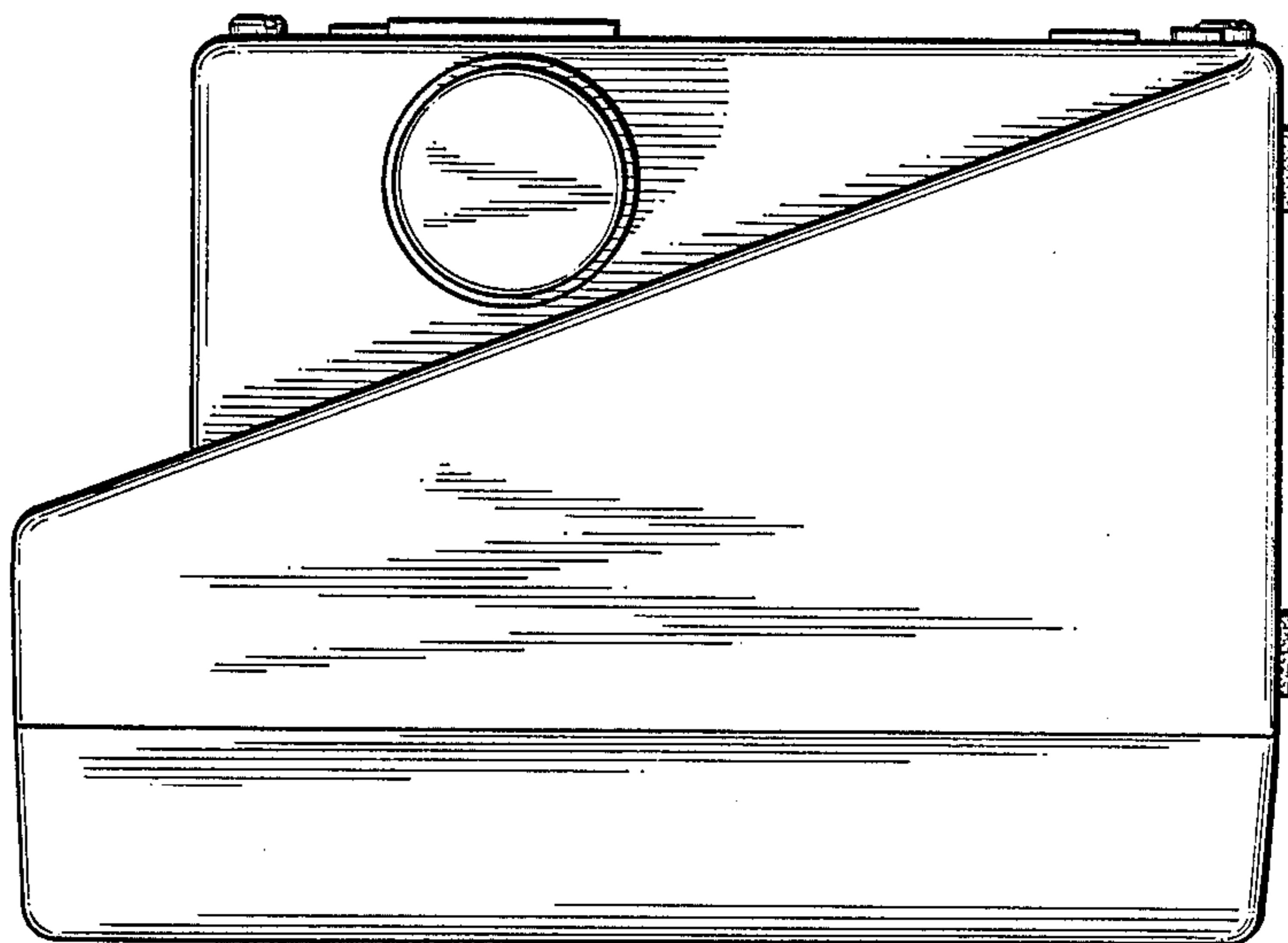


FIG-6

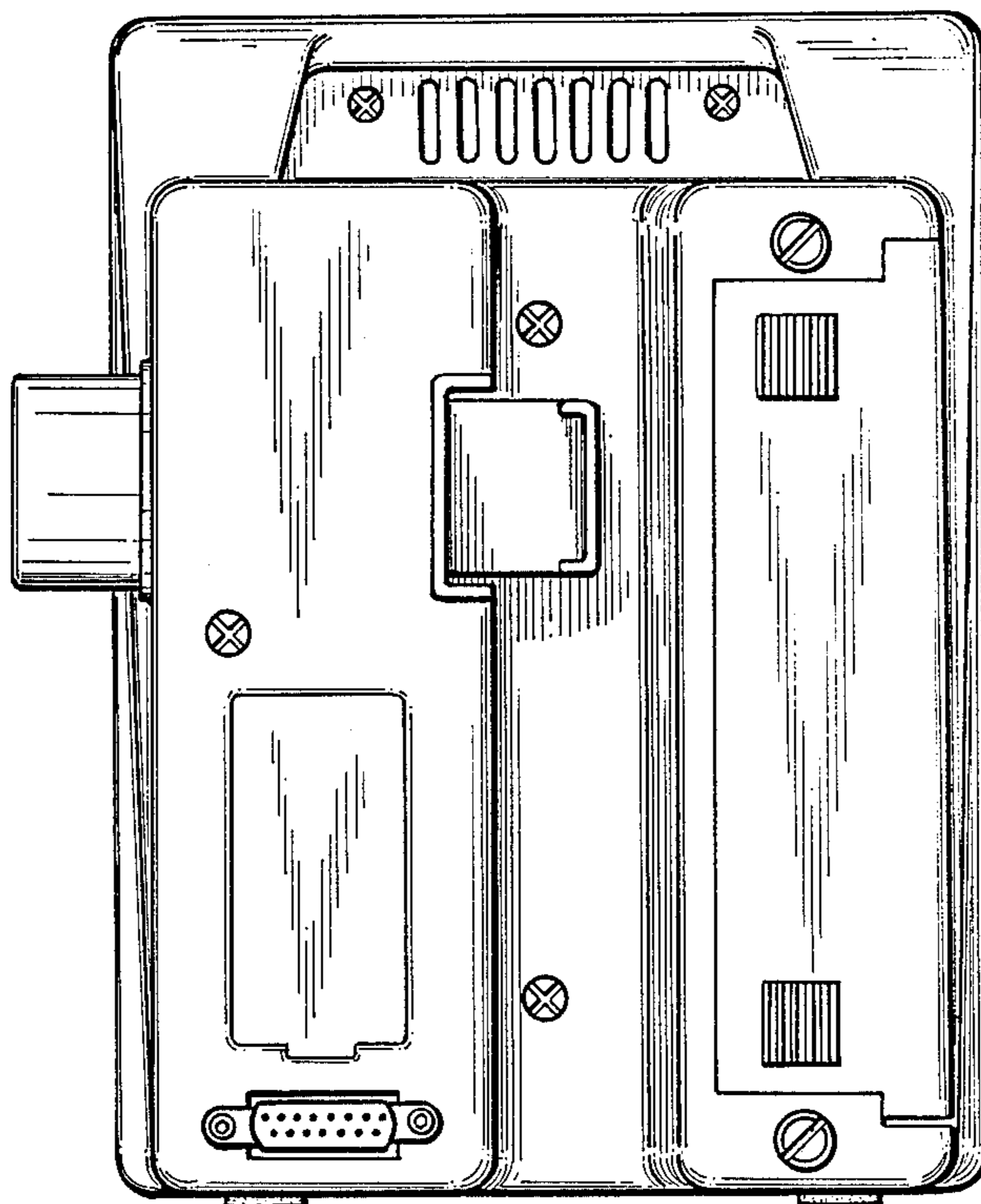


FIG-7

