

[54] ALARM TEST VALVE BODY

[75] Inventor: Philip R. Schwarz, Easton, Pa.

[73] Assignee: Victaulic Company of America, Easton, Pa.

[**] Term: 14 Years

[21] Appl. No.: 772,992

[22] Filed: Sep. 4, 1985

[52] U.S. Cl. D23/233

[58] Field of Search D23/233-237, D23/244-249; 251/366; 137/599, 625.48

[56] References Cited

U.S. PATENT DOCUMENTS

- D. 112,890 1/1939 Zinkil et al. D23/233
- D. 114,497 4/1939 Ray D23/248
- 3,109,442 11/1963 Horowitz 137/625.48 X

- 3,885,583 5/1975 Tennis 137/625.48 X
- 3,893,473 7/1975 Breece 137/559 X
- 3,911,957 10/1975 McQueen 137/625.48
- 4,643,224 2/1987 Rung et al. 137/559

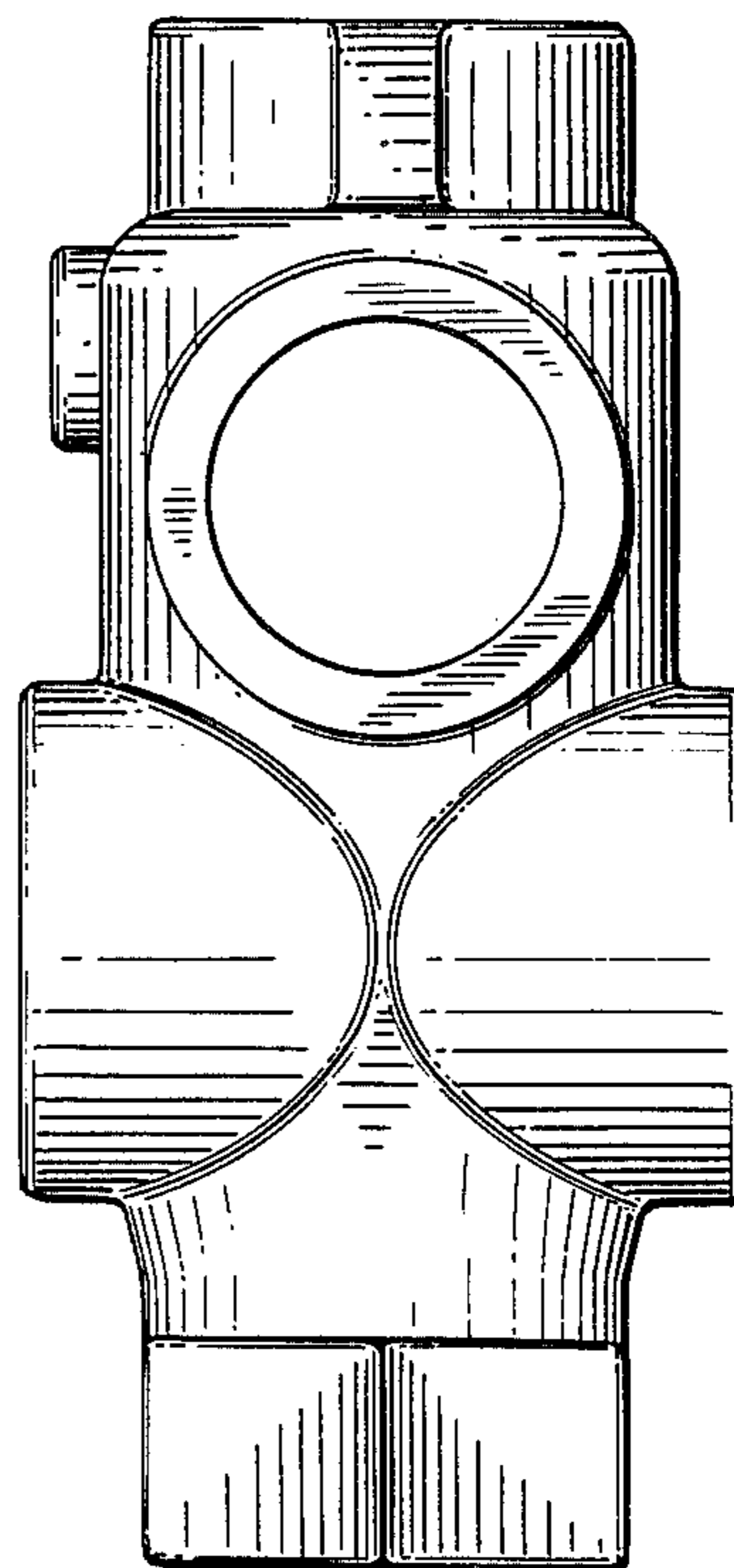
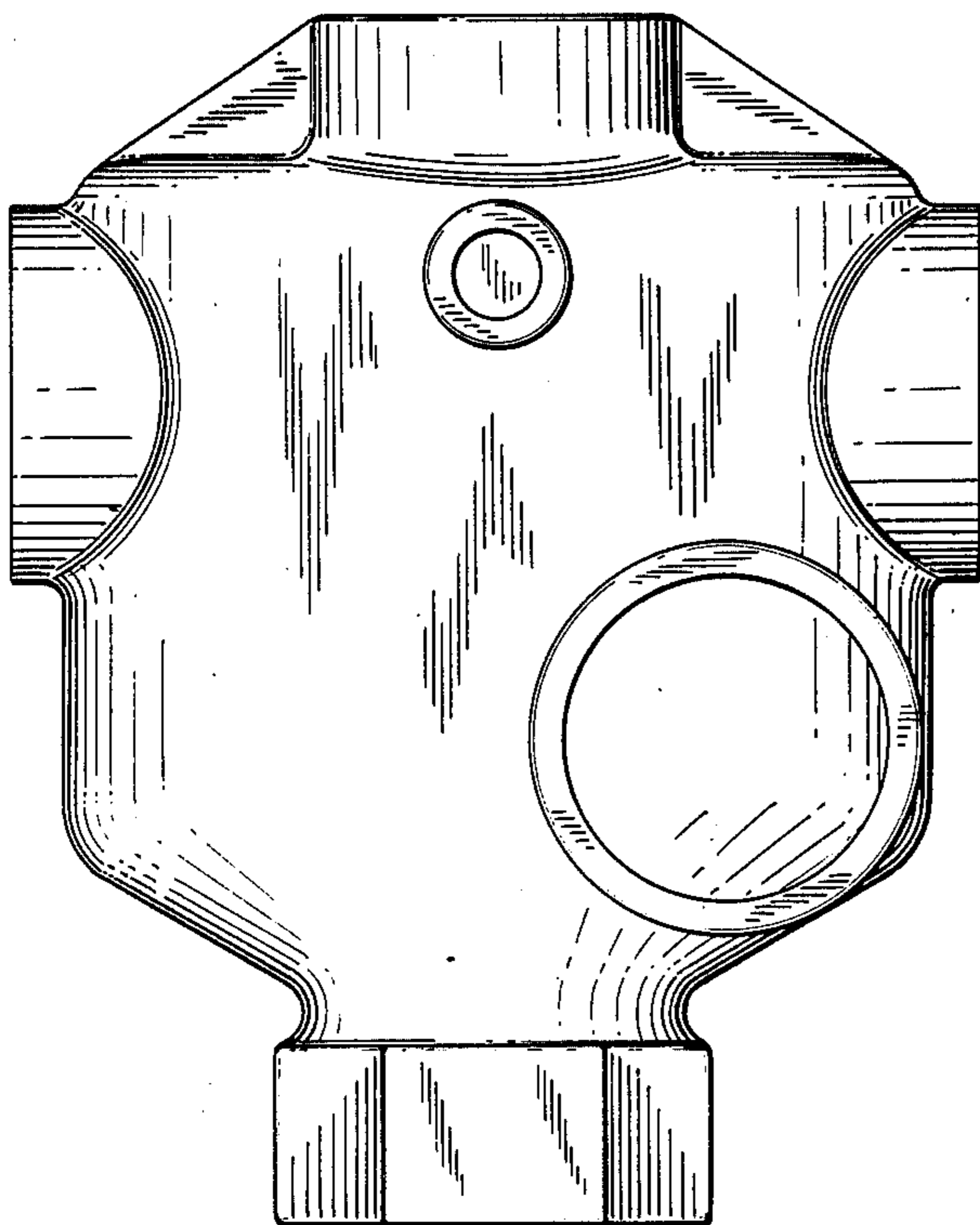
Primary Examiner—James R. Largen
Attorney, Agent, or Firm—Abelman Frayne Rezac & Schwab

[57] CLAIM

The ornamental design for an alarm test valve body, as shown.

DESCRIPTION

FIG. 1 is a front elevational view of an alarm test valve body showing my new design; FIG. 2 is a rear elevational view thereof; FIG. 3 is a right side elevational view thereof; FIG. 4 is a left side elevational view thereof; FIG. 5 is a top plan view thereof; and FIG. 6 is a bottom plan view thereof.



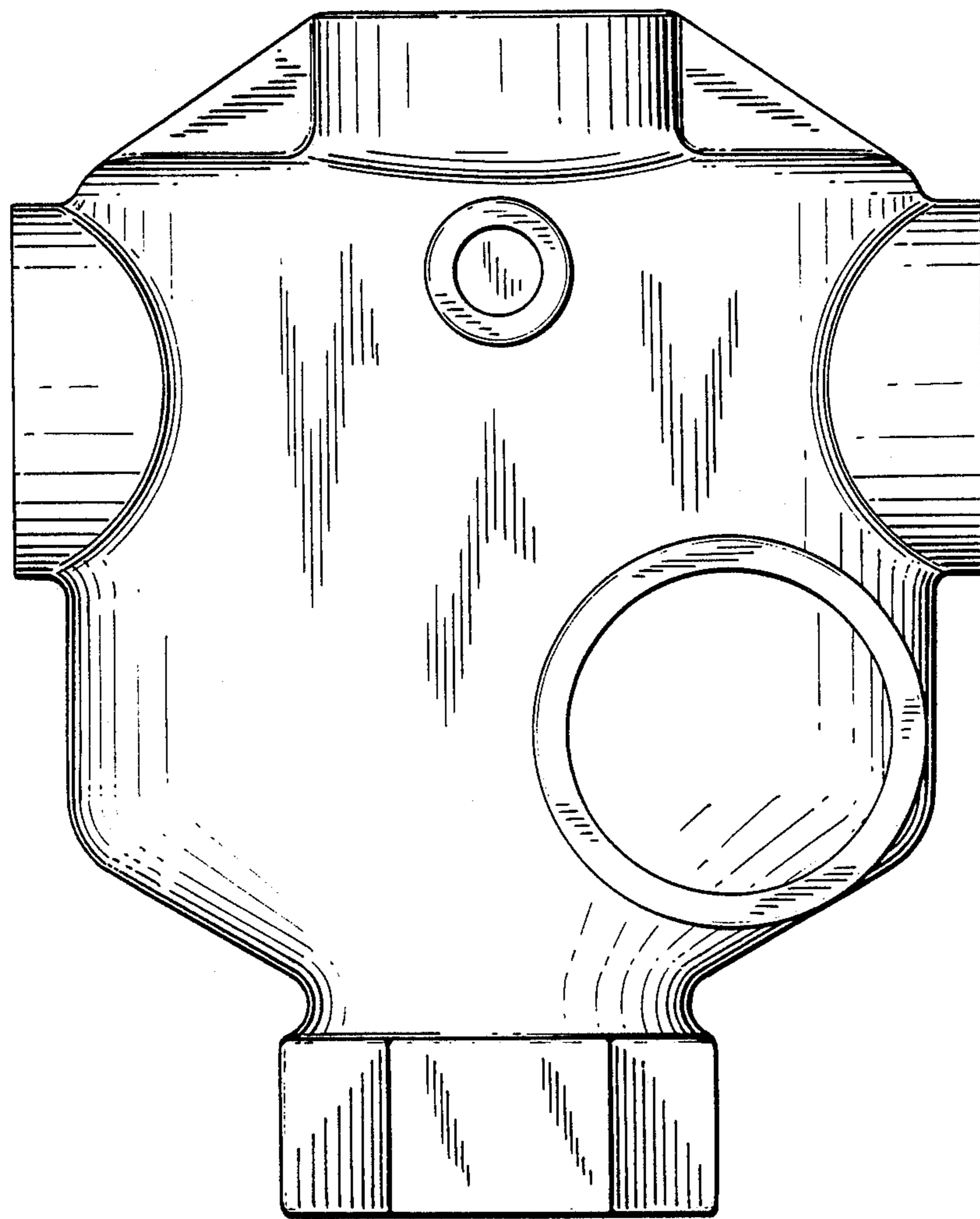


FIG. 1

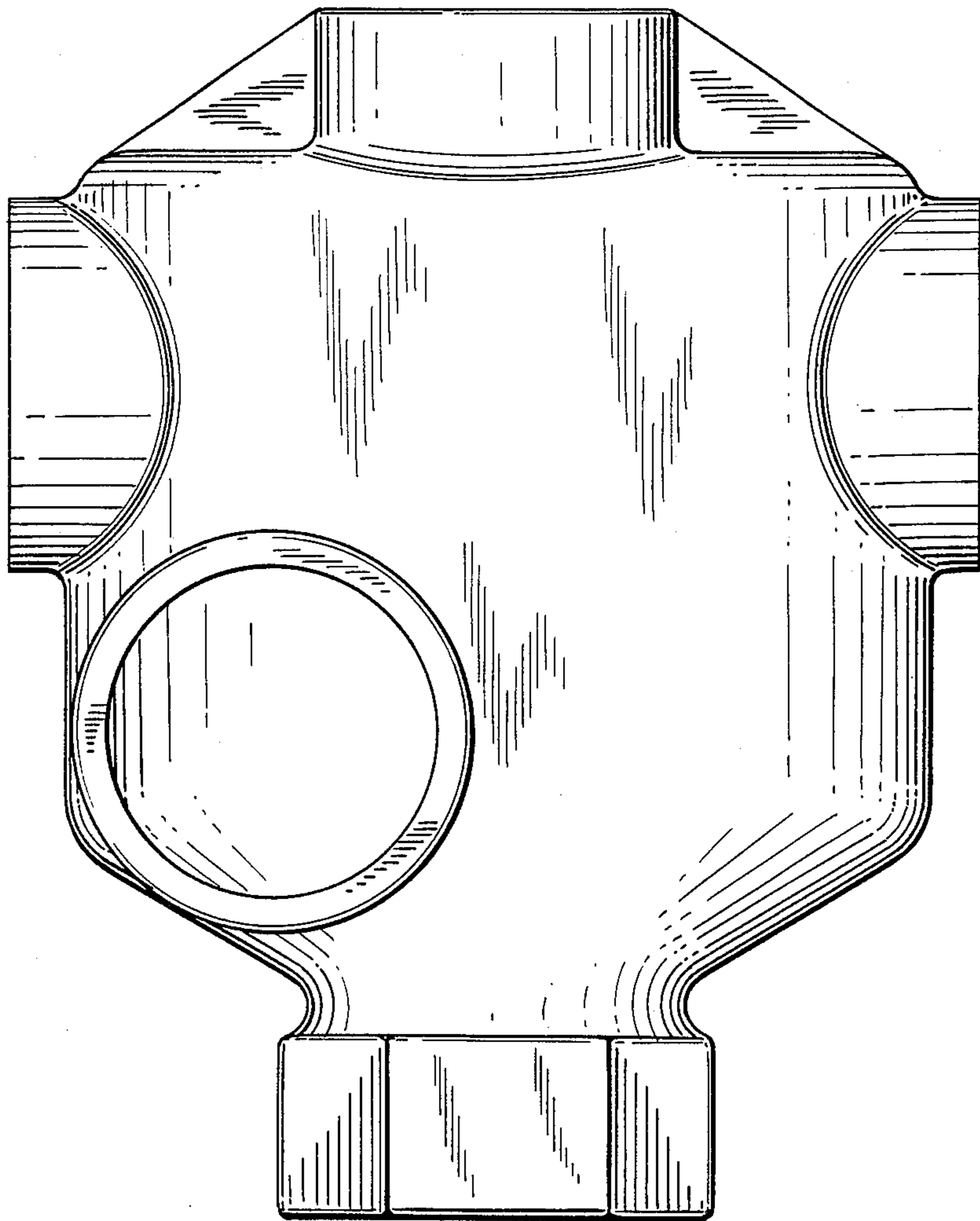


FIG. 2

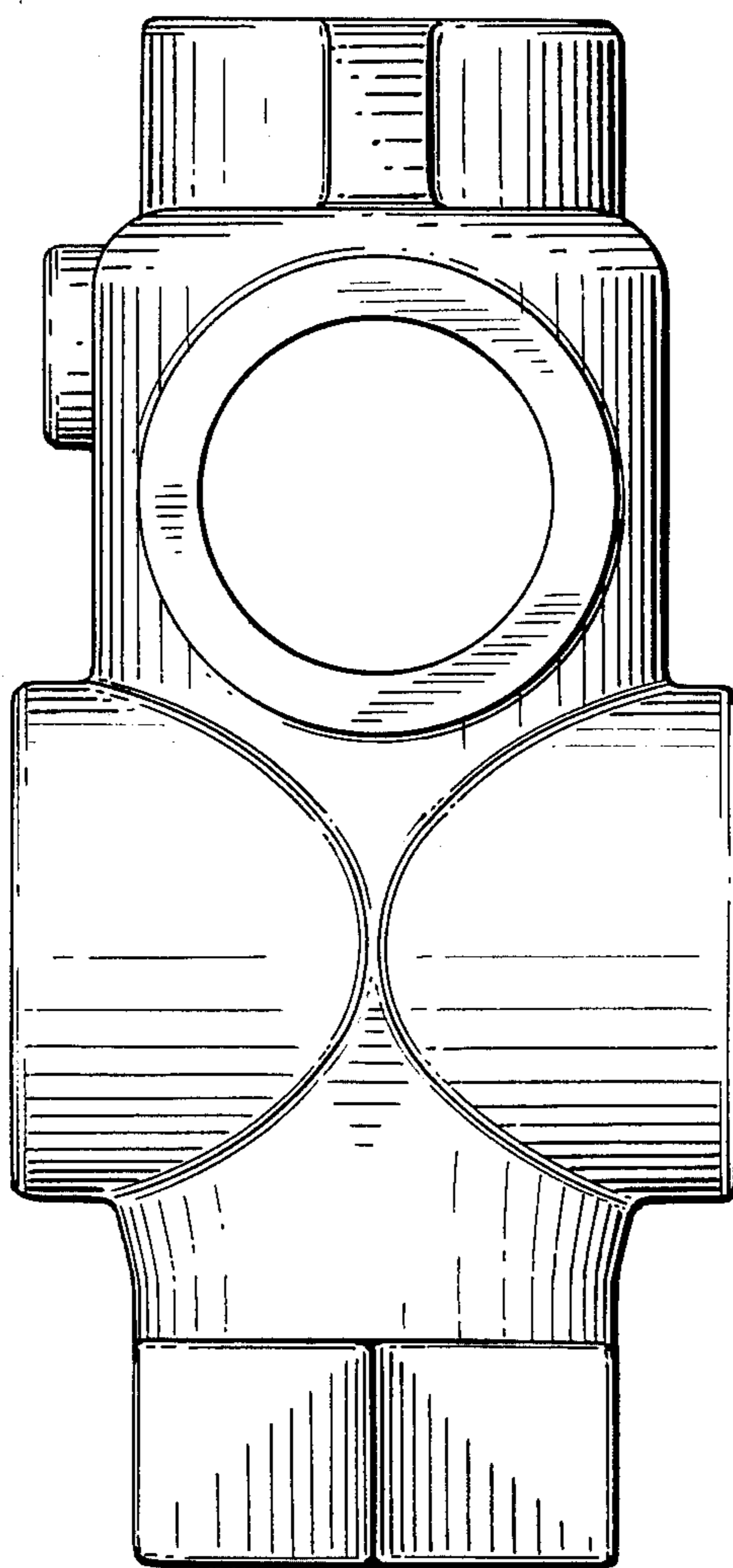


FIG. 3

FIG. 4

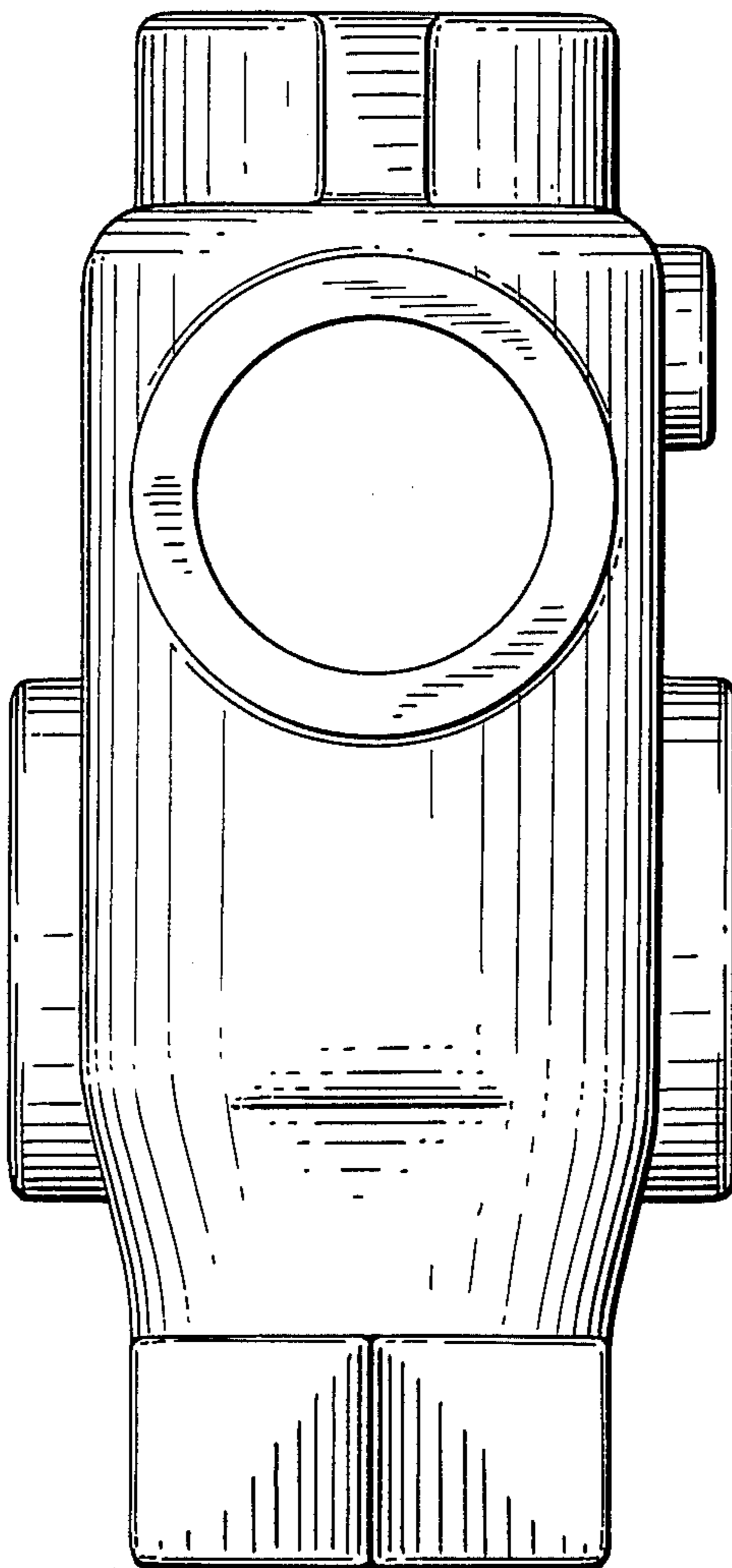


FIG. 5

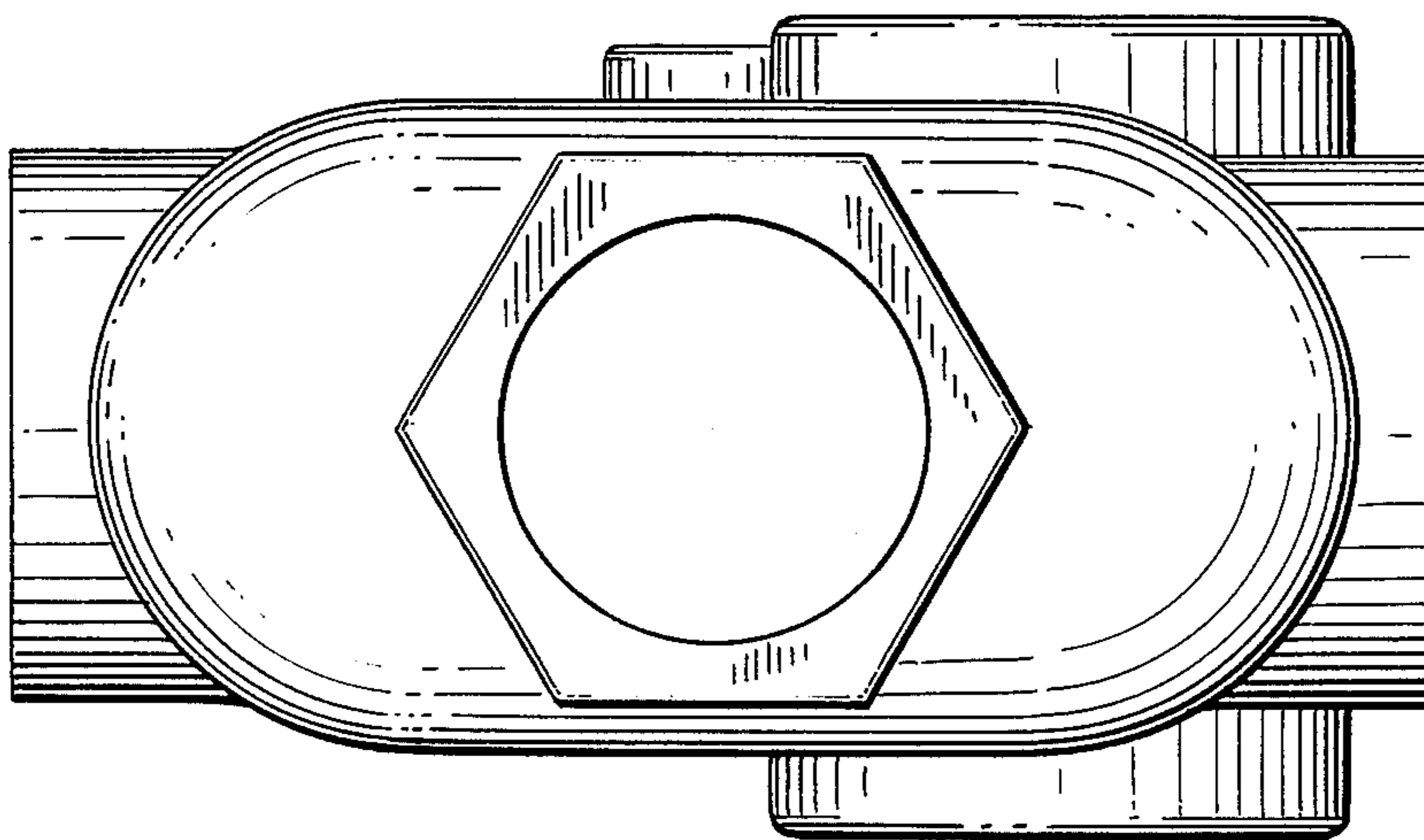
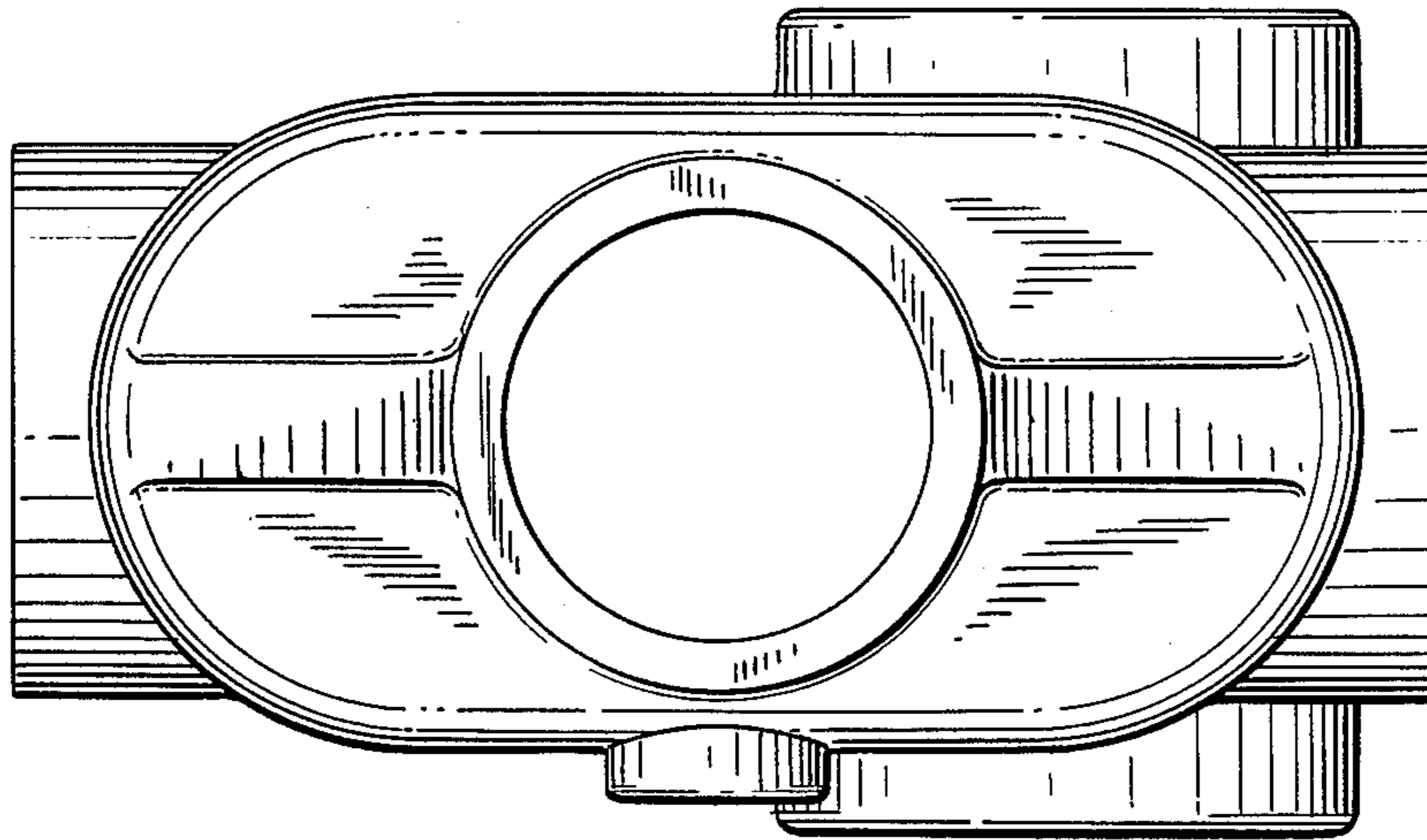


FIG. 6