

[54] INSECT TRAP

[76] Inventor: E. Claire Pressnall, 21890 Hwg. 99-E No. 42, Canby, Oreg. 97013

[\*\*] Term: 14 Years

[21] Appl. No.: 780,630

[22] Filed: Sep. 26, 1985

[52] U.S. Cl. .... D22/122

[58] Field of Search ..... D22/119, 122; 43/107, 43/121, 122, 131, 132.1, 132; D30/124, 128

[56] References Cited

U.S. PATENT DOCUMENTS

- D. 209,394 11/1967 deMan ..... D22/122
- 1,723,919 8/1929 Bykowy ..... D22/122 X
- 3,324,590 6/1967 Richardson ..... D22/122 X

OTHER PUBLICATIONS

Zoecon brochure titled "Zoecon Insect Monitoring

Systems, Proven Tools for Improving Pest Management Programs," 1981.

Primary Examiner—A. Hugo Word  
Attorney, Agent, or Firm—Klarquist, Sparkman, Campbell, Leigh & Whinston

[57] CLAIM

The ornamental design for an insect trap, as shown and described.

DESCRIPTION

FIG. 1 is a perspective view of an insect trap, showing my new design;  
 FIG. 2 is a cross-sectional view thereof, taken along line 2—2 of FIG. 1;  
 FIG. 3 is a top plan view thereof;  
 FIG. 4 is a right side, elevational view, the left side being substantially a mirror image thereof;  
 FIG. 5 is a bottom plan view thereof;  
 FIG. 6 is a rear elevational view thereof; and  
 FIG. 7 is a front elevational view thereof.

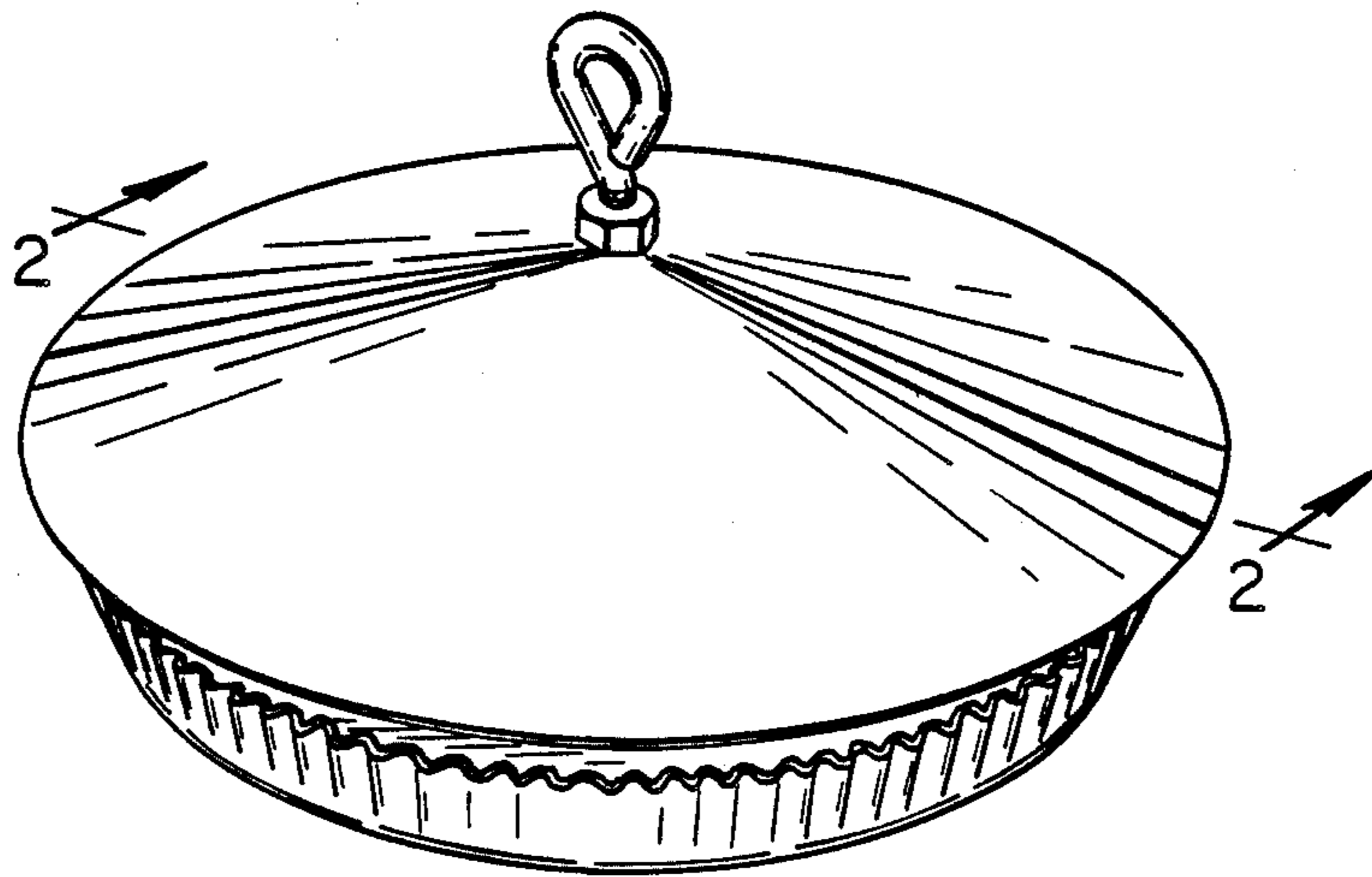


FIG. 1

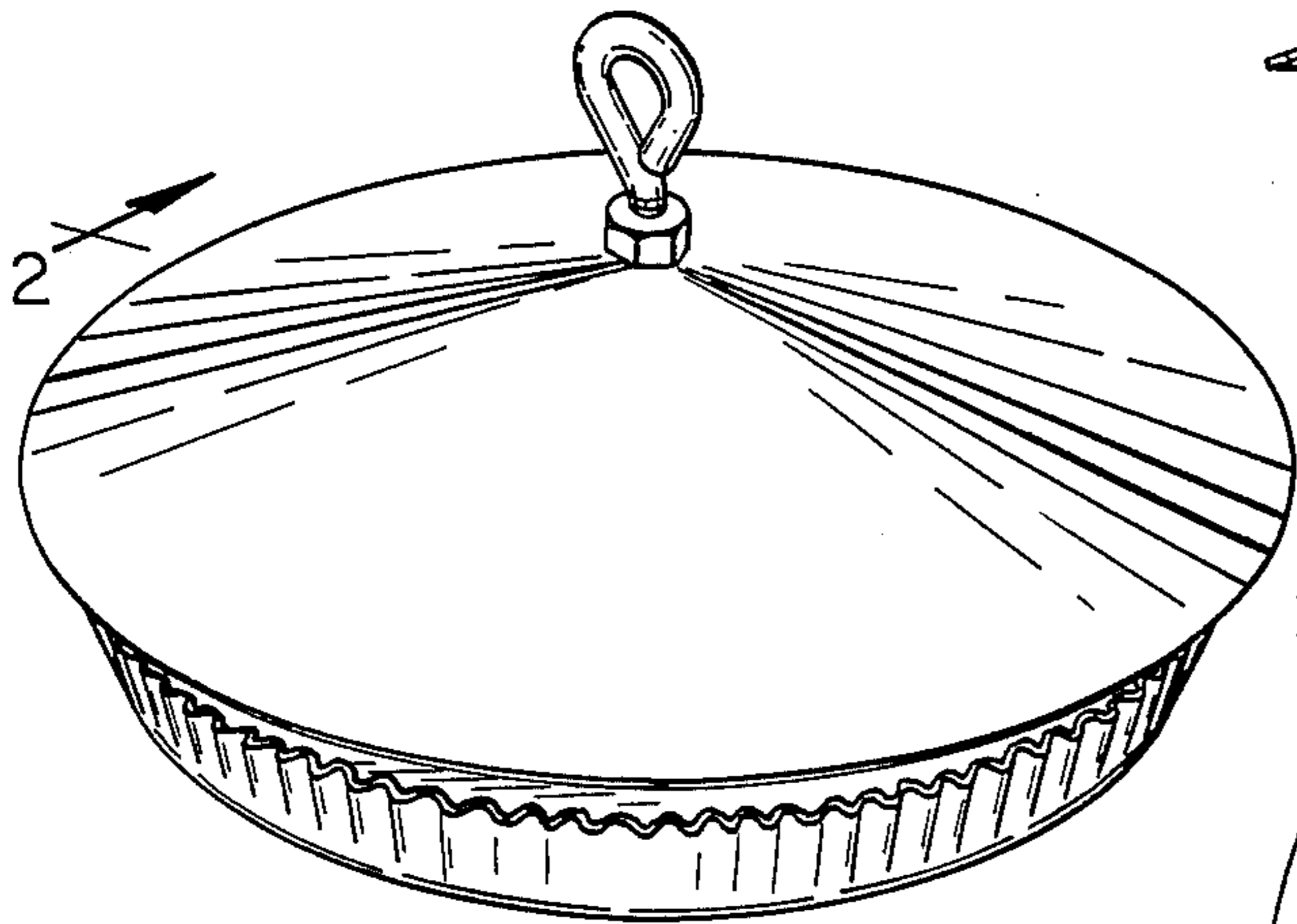


FIG. 2

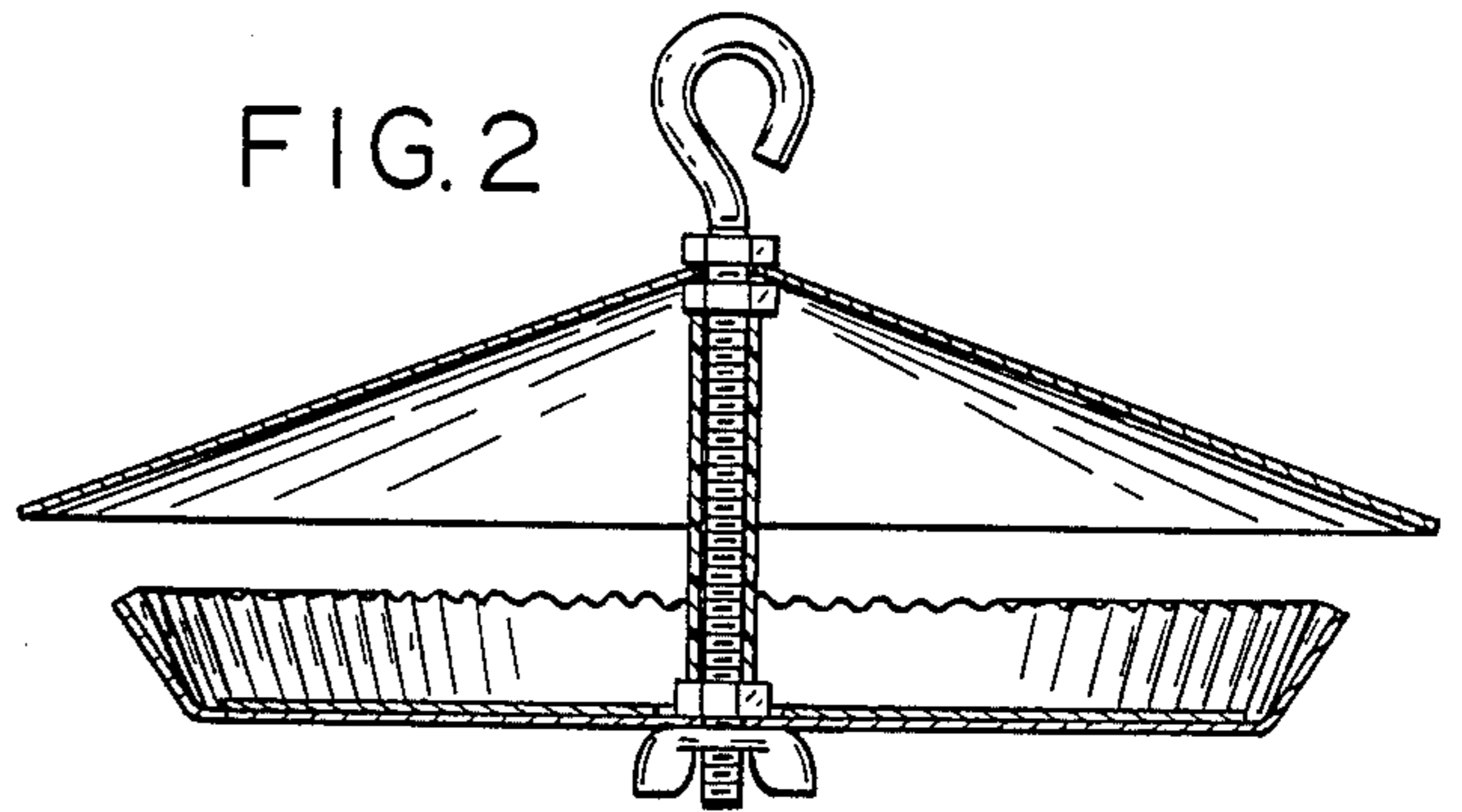


FIG. 3

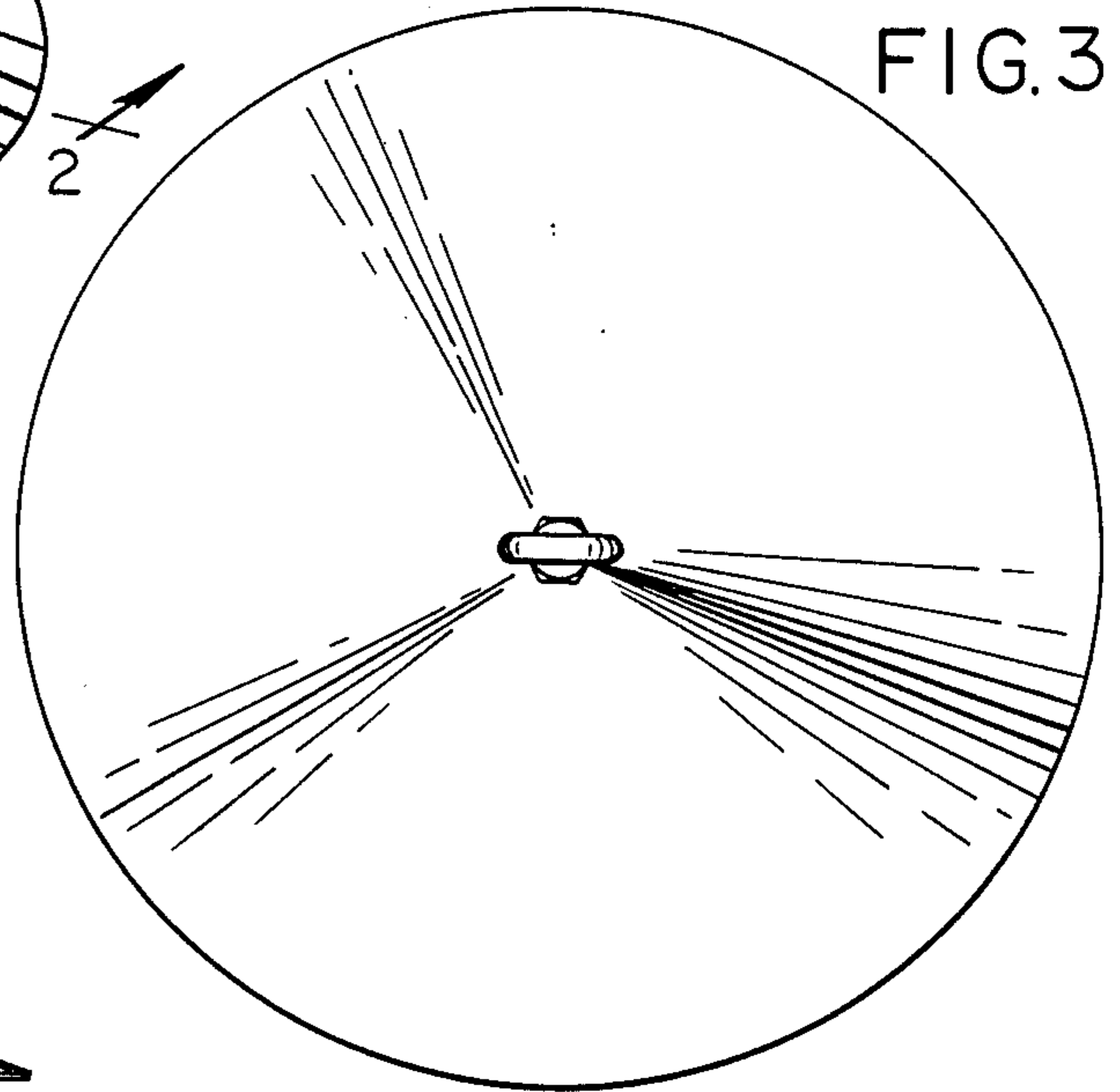


FIG. 4

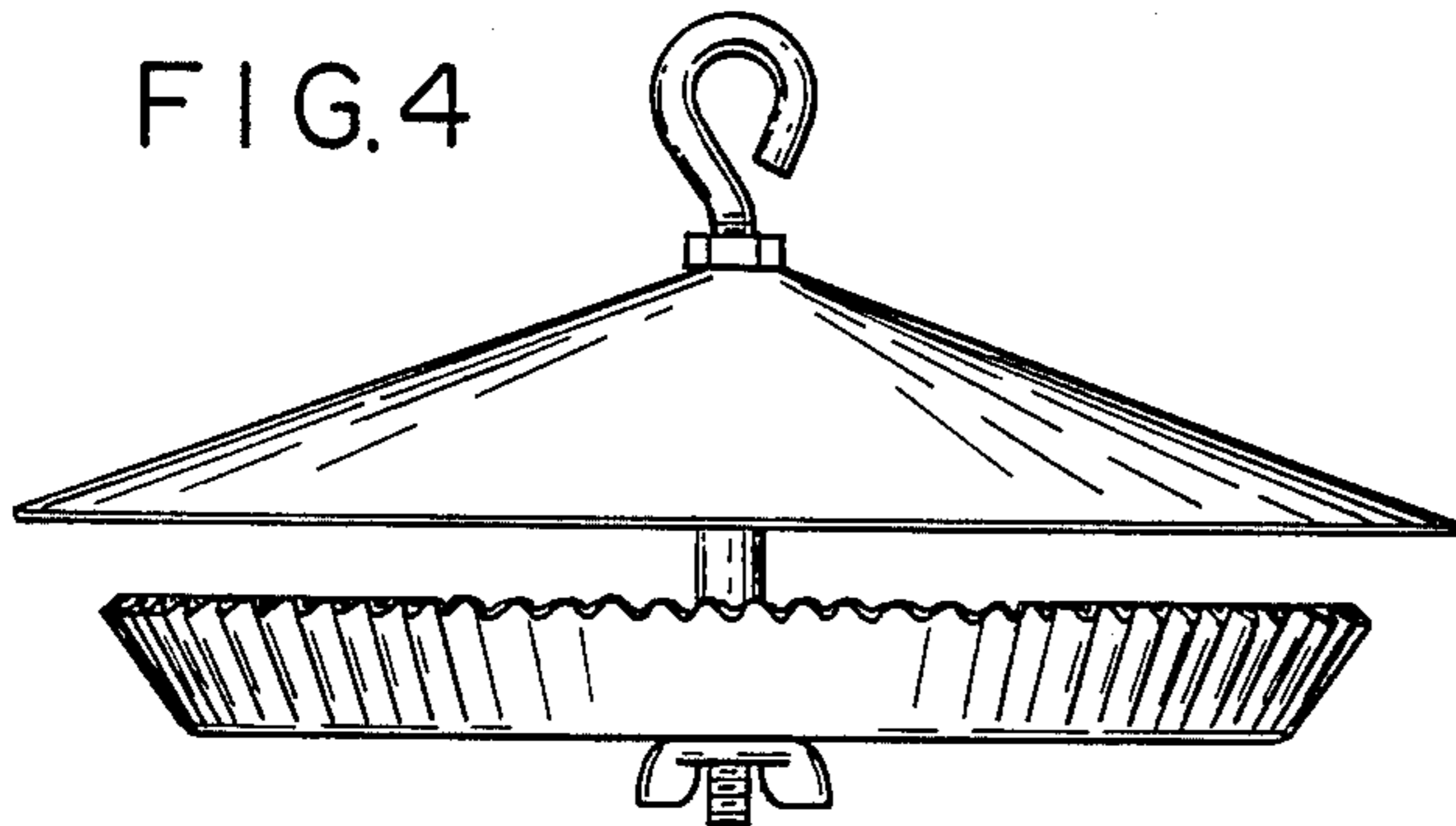


FIG. 5

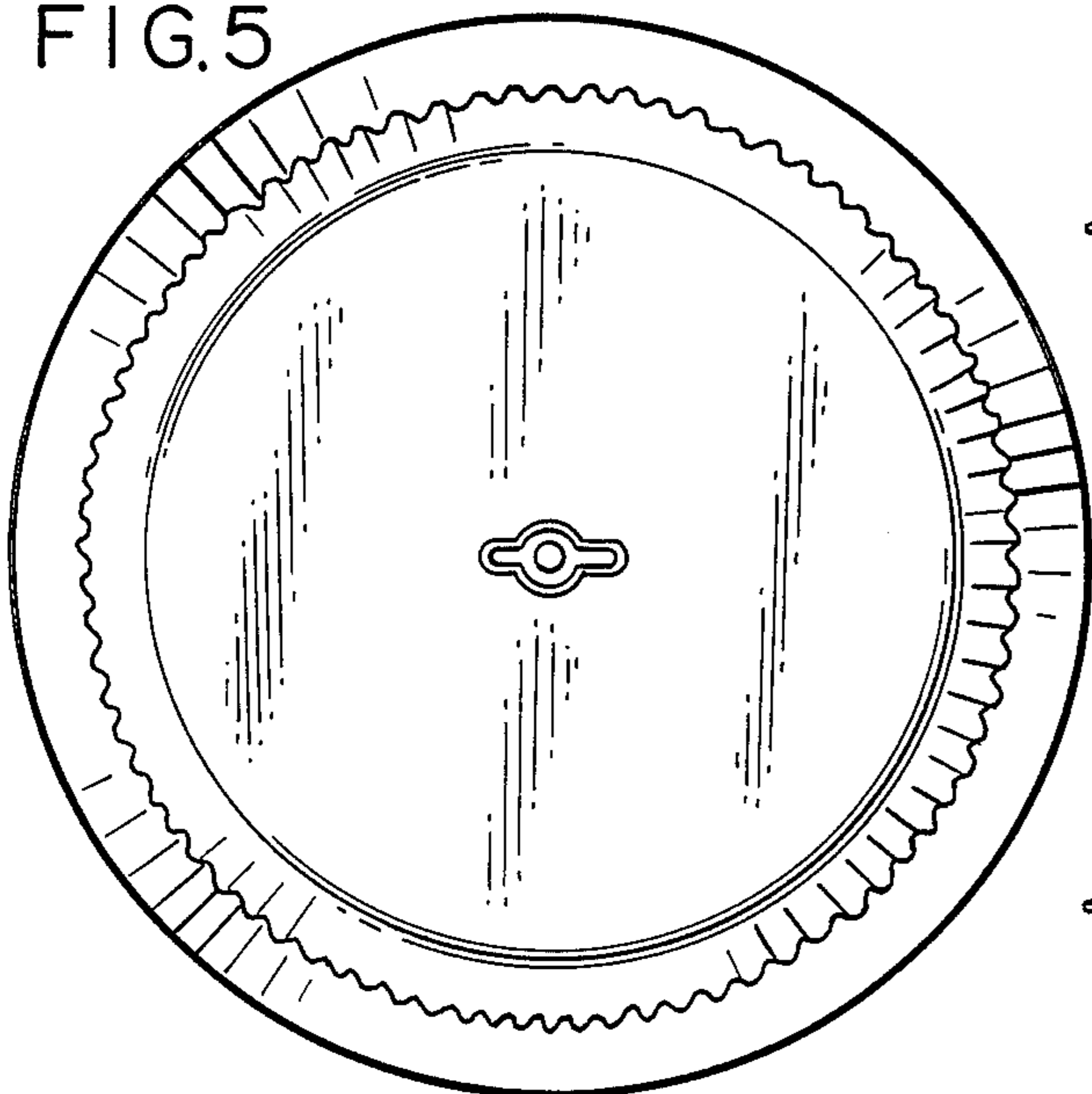


FIG. 6

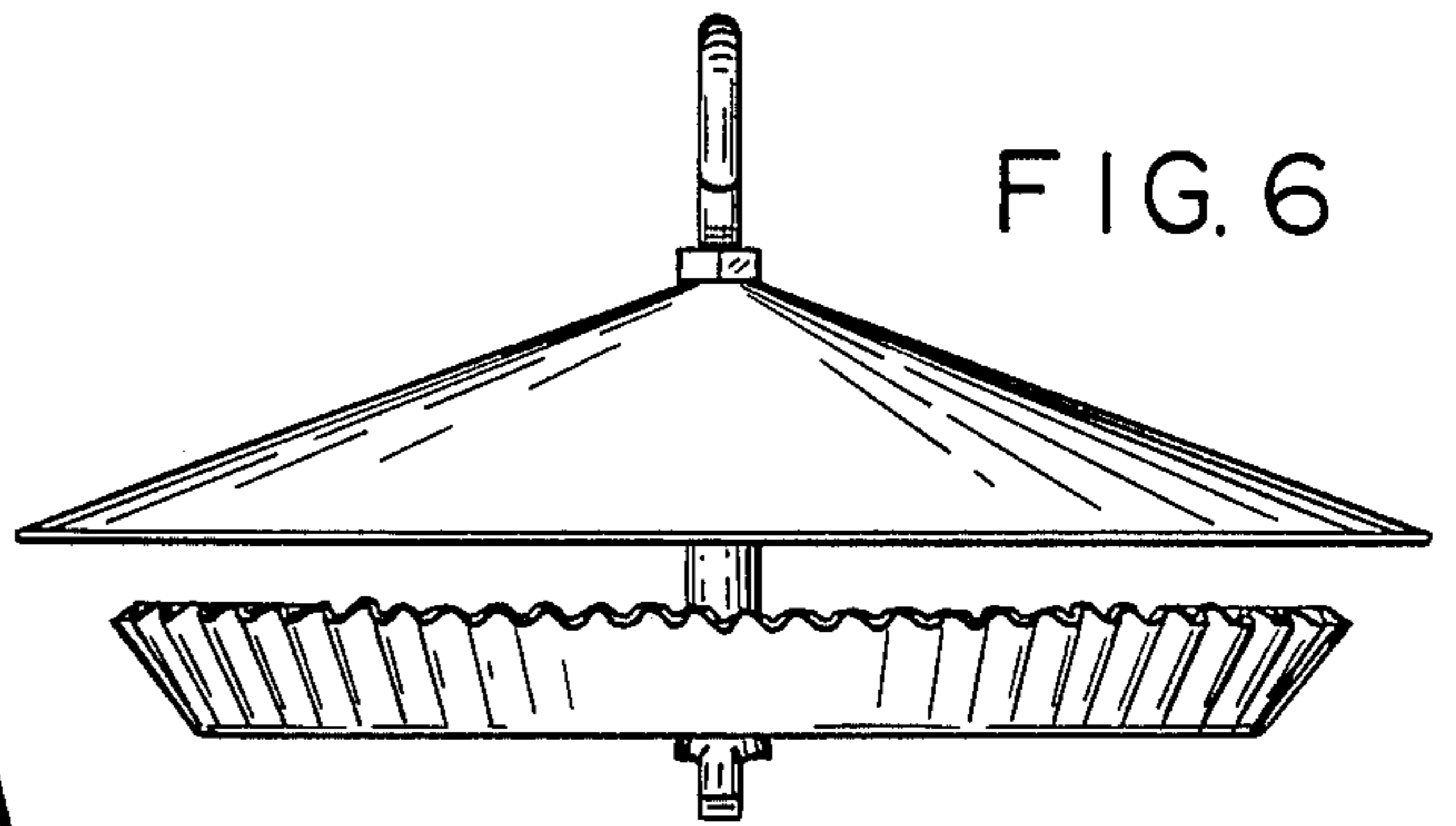


FIG. 7

