

[54] **TELESCOPE**

[75] **Inventor: Toshimasa Yamanaka, Tokyo, Japan**

[73] **Assignee: Asahi Kogaku Kogyo K.K., Tokyo, Japan**

[\*\*] **Term: 14 Years**

[21] **Appl. No.: 857,593**

[22] **Filed: Apr. 23, 1986**

[30] **Foreign Application Priority Data**

Jan. 20, 1986 [JP] Japan ..... 61-1540

[52] **U.S. Cl. .... D16/132**

[58] **Field of Search ..... D16/132, 130; 350/562, 350/563, 569, 537**

[56] **References Cited**

**U.S. PATENT DOCUMENTS**

D. 159,719 8/1950 Davidson ..... D16/132

D. 285,802 9/1986 Ogasawara ..... D16/132  
D. 287,136 12/1986 Murray, Jr. .... D16/132  
2,610,545 9/1952 Davidson ..... 350/564

*Primary Examiner*—Wallace R. Burke  
*Assistant Examiner*—Stella M. Reid  
*Attorney, Agent, or Firm*—Sughrue, Mion, Zinn, Macpeak & Seas

[57] **CLAIM**

The ornamental design for a telescope, as shown.

**DESCRIPTION**

FIG. 1 is a rear, top and right side perspective view of a telescope showing my new design;

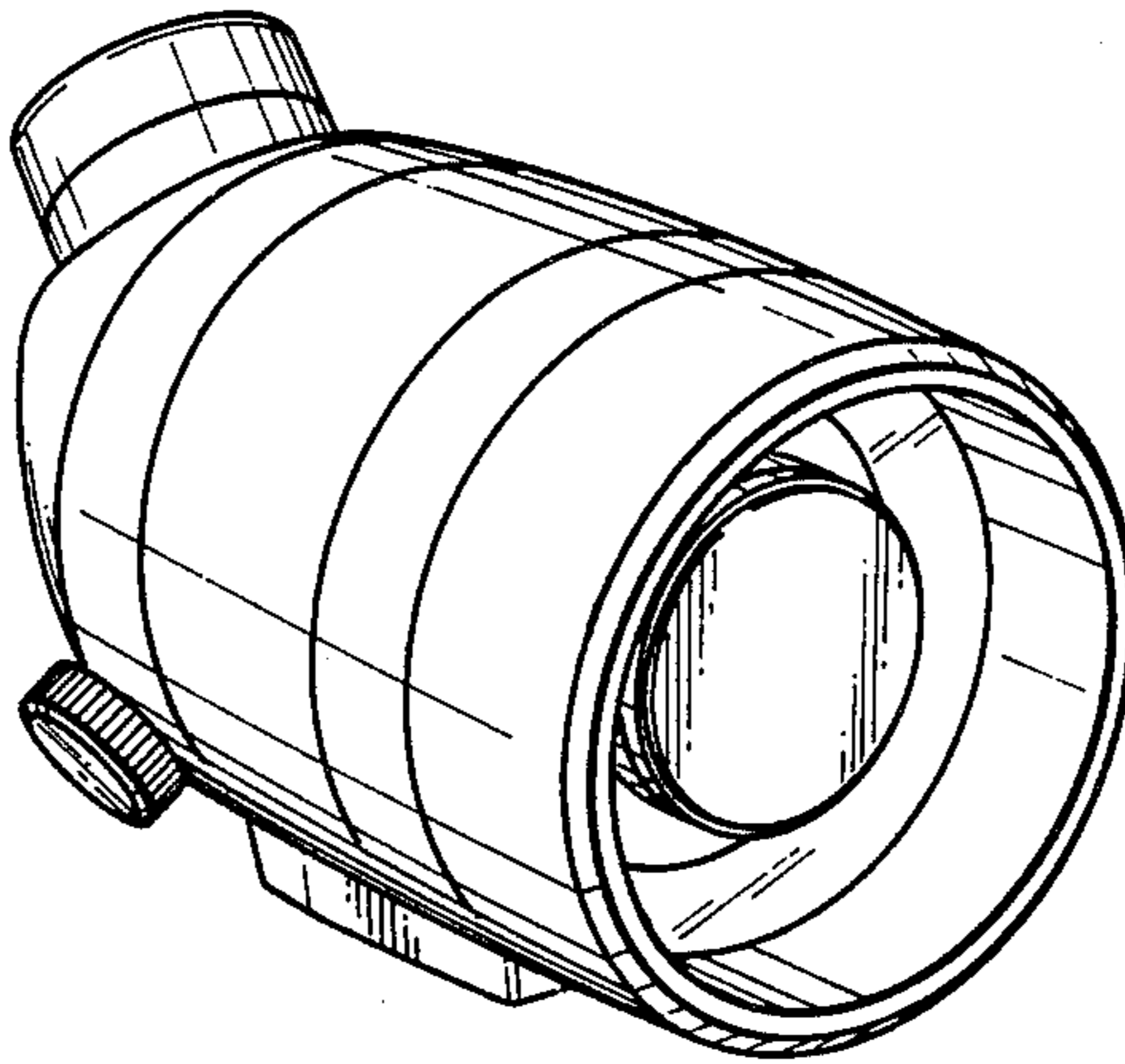
FIG. 2 is a front, top and right side perspective view thereof;

FIG. 3 is a rear elevation of either;

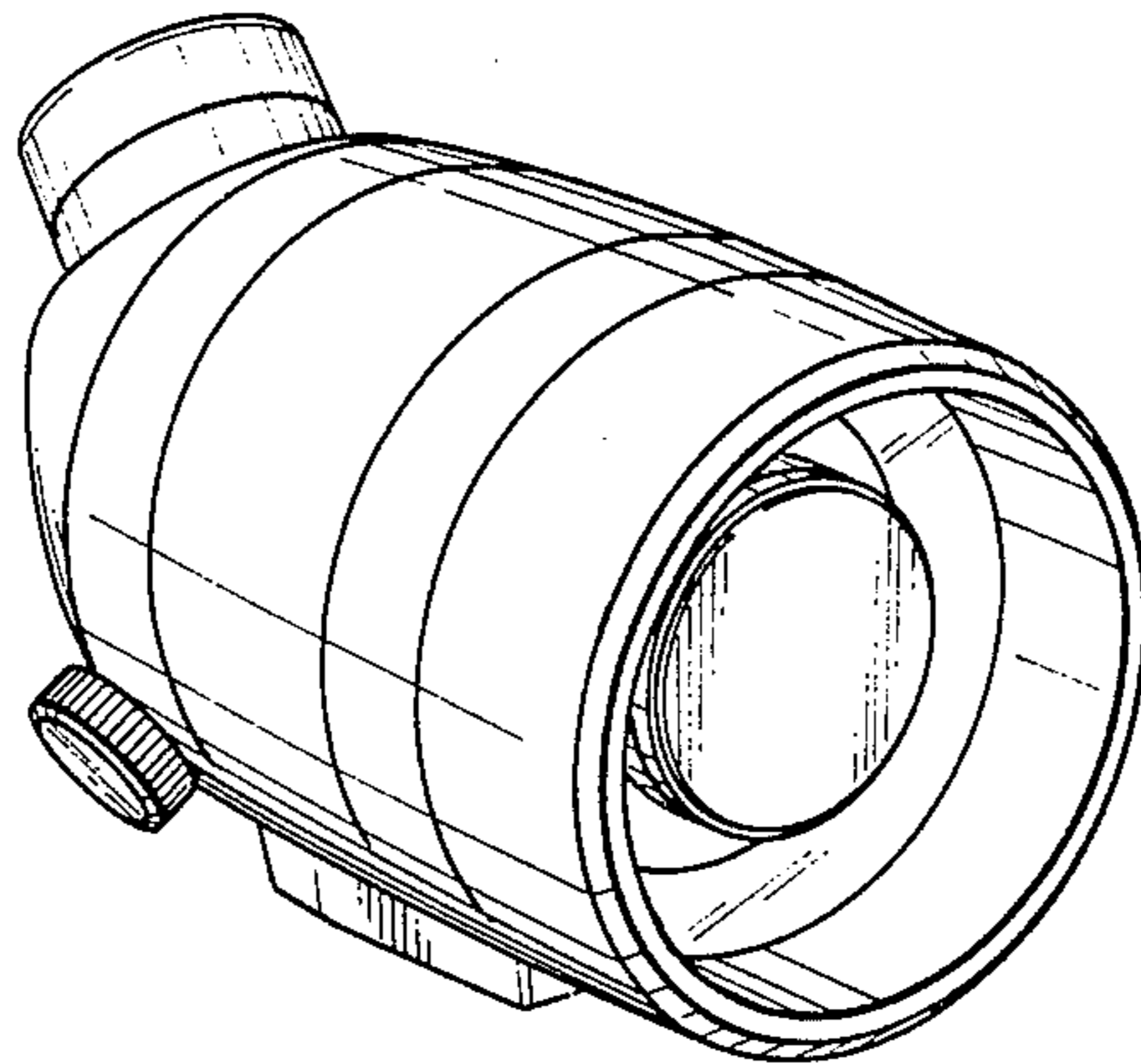
FIG. 4 is a bottom plan view thereof;

FIG. 5 is a right side elevational view thereof; and

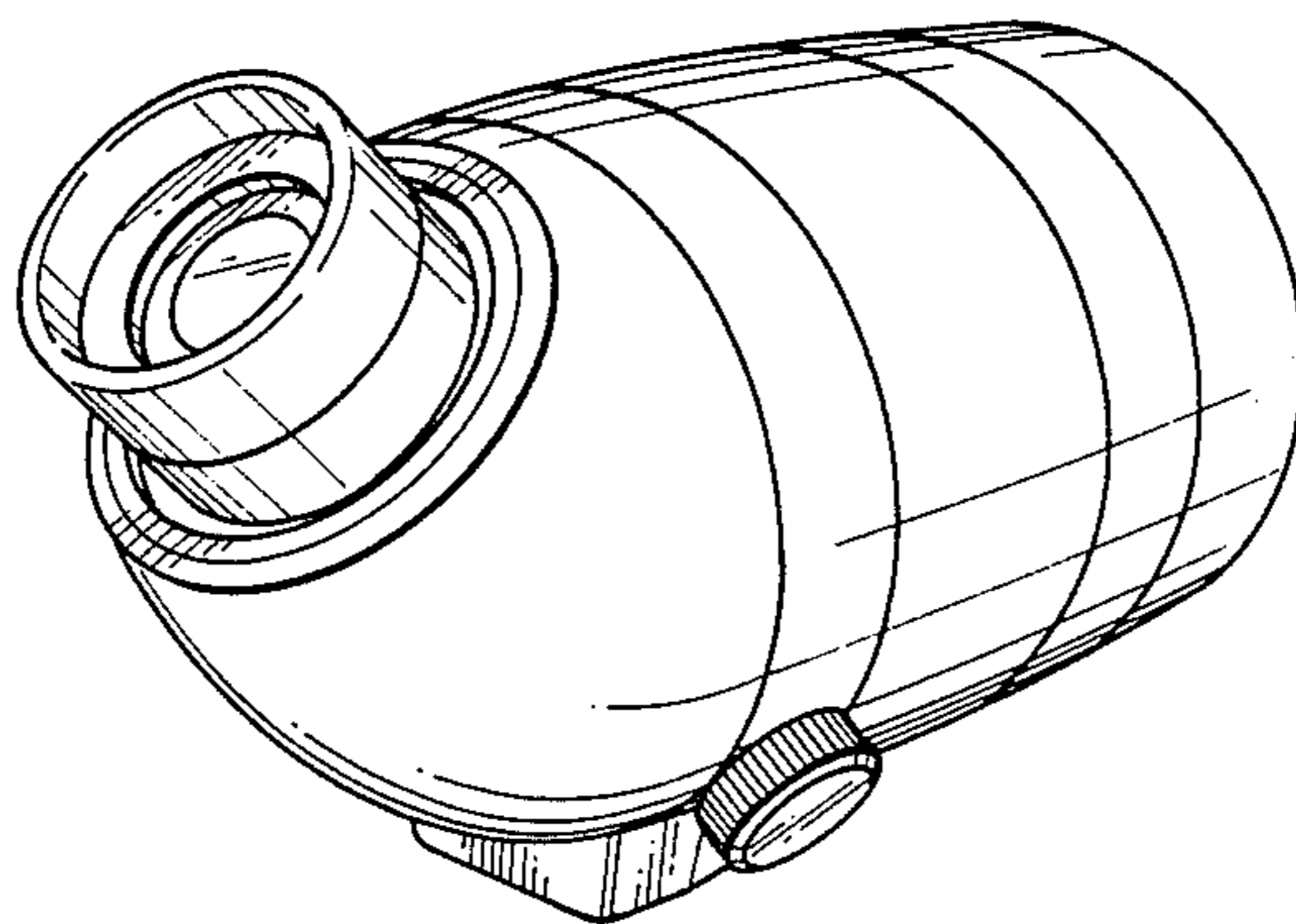
FIG. 6 is a left side elevational view thereof.



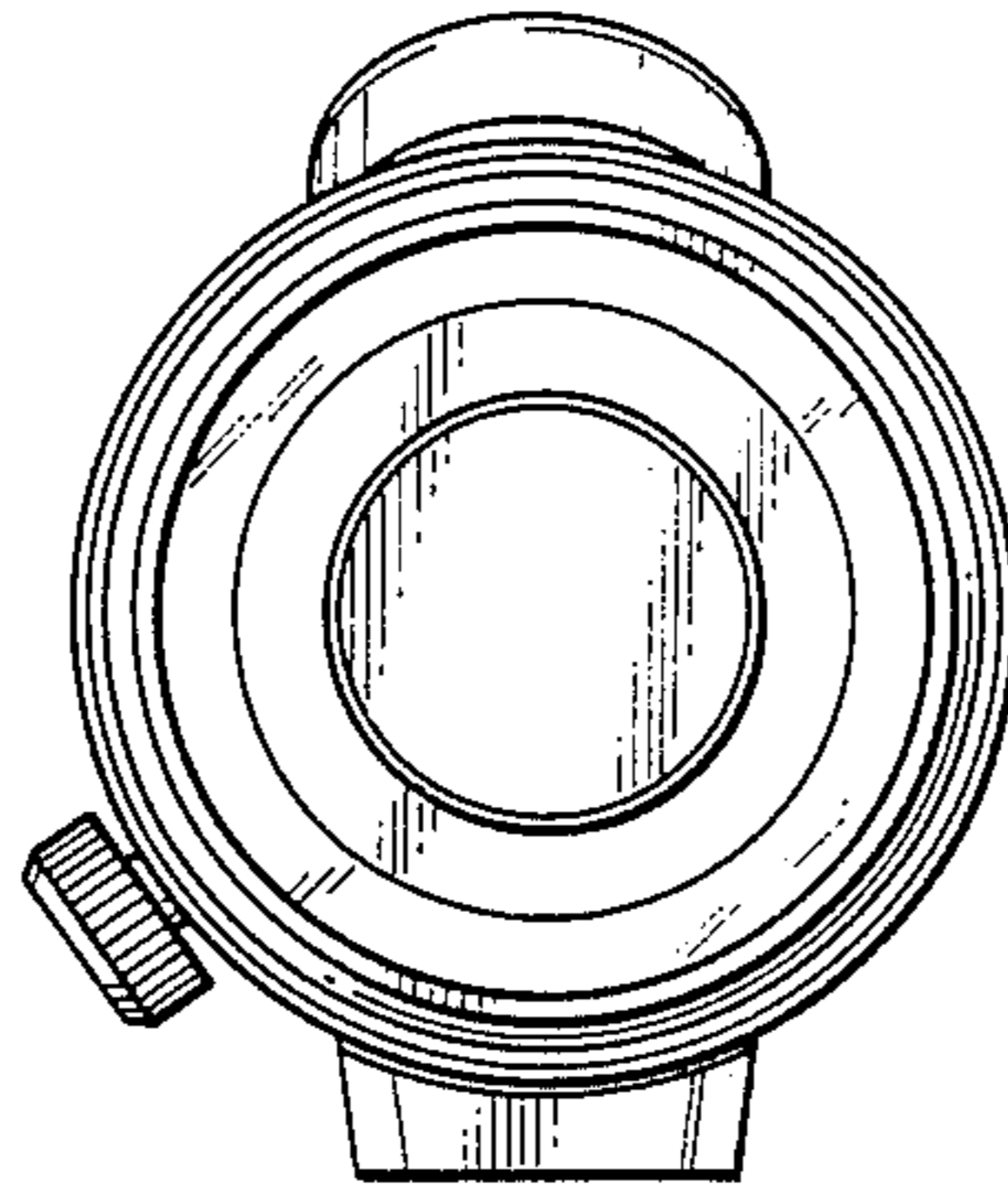
*Fig. 1*



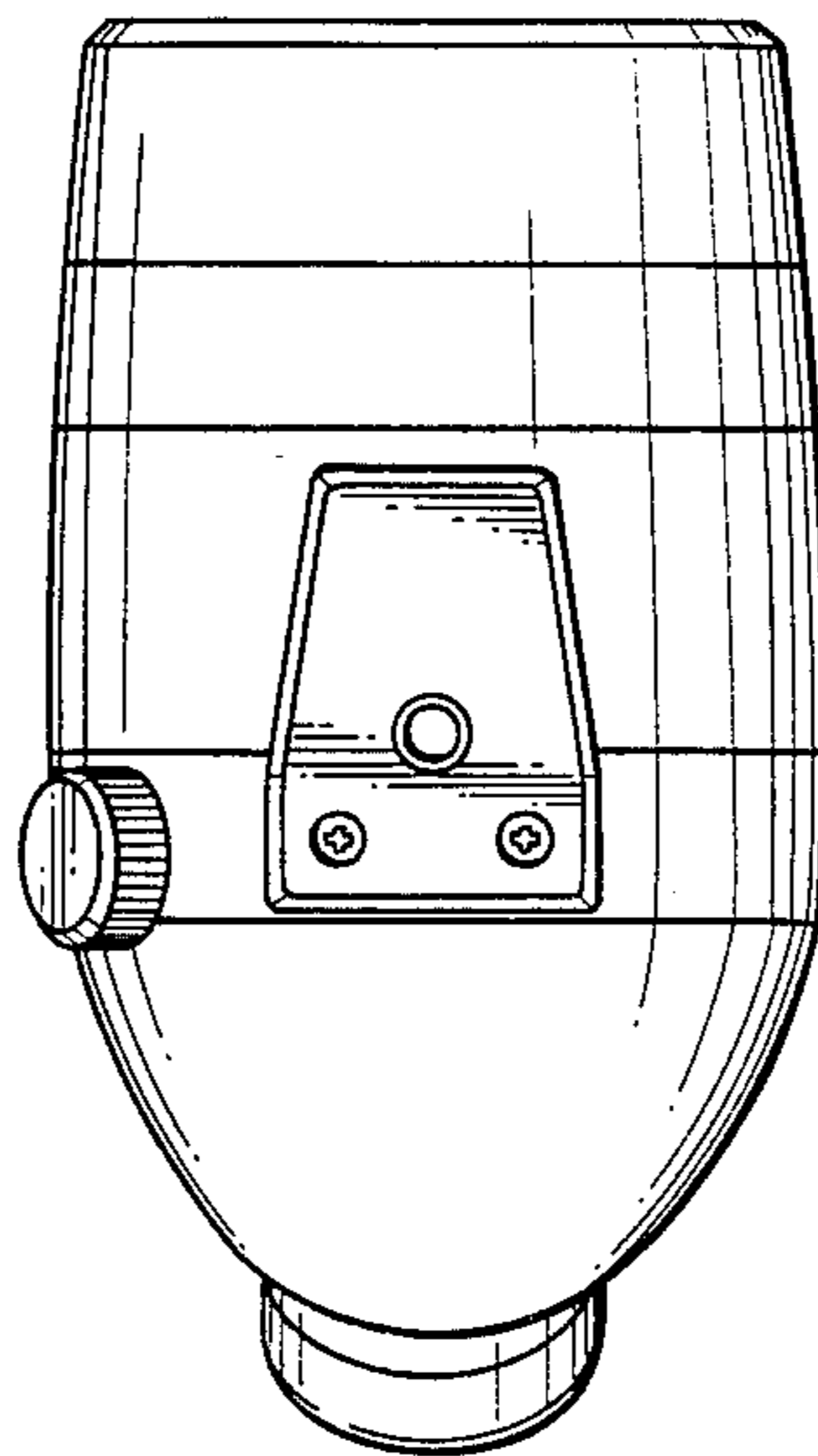
*Fig. 2*



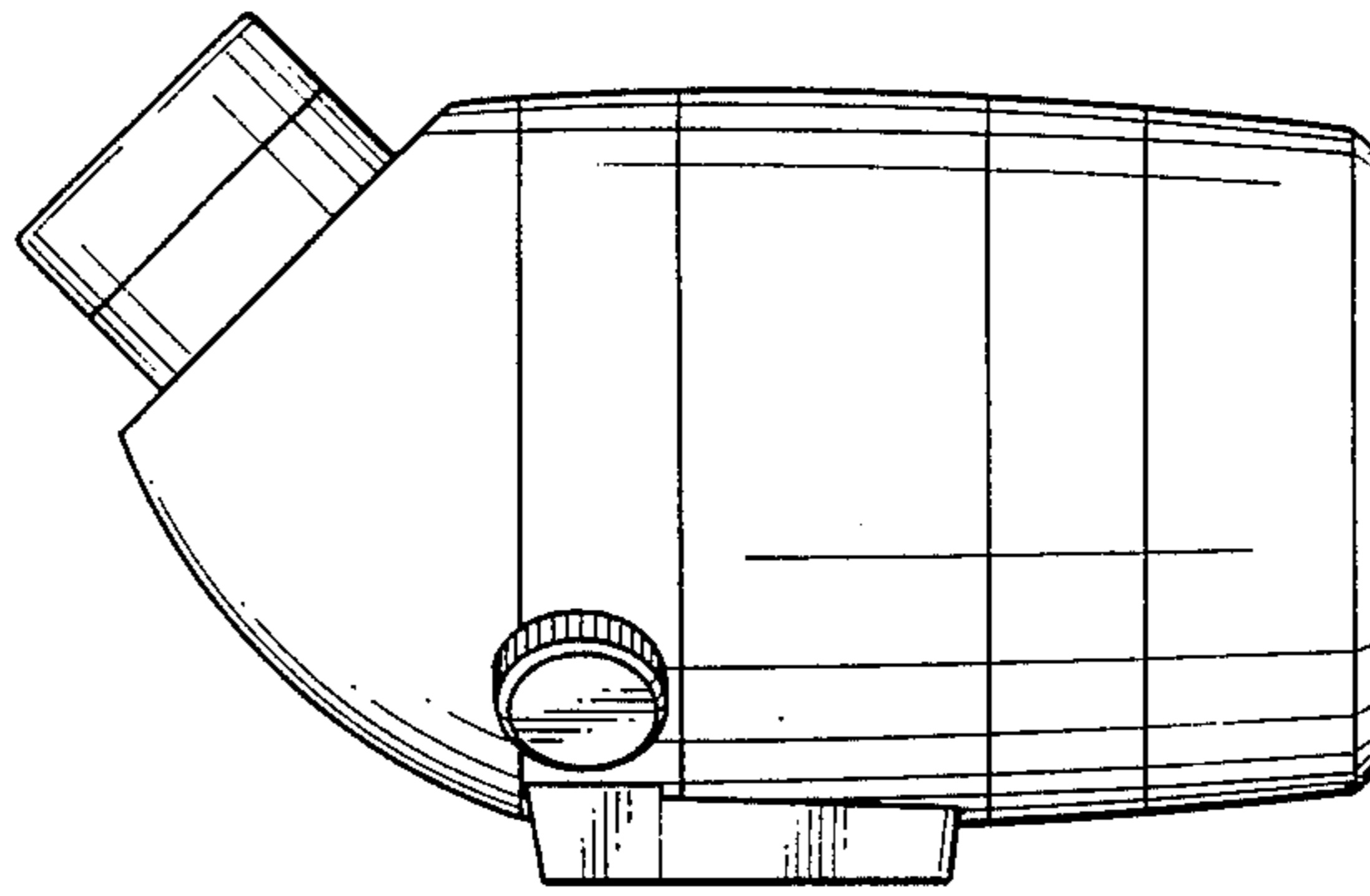
*Fig. 3*



*Fig. 4*



*Fig. 5*



*Fig. 6*

