

[54] AGRICULTURAL TRACTOR

[75] Inventors: Genichi Funabashi, Sennan; Kenzo Ushiro, Sakai, both of Japan

[73] Assignee: Kubota, Ltd., Osaka, Japan

[\*\*] Term: 14 Years

[21] Appl. No.: 838,045

[22] Filed: Feb. 27, 1986

[30] Foreign Application Priority Data

Aug. 27, 1985 [JP] Japan ..... 60-36125

[52] U.S. Cl. .... D15/23

[58] Field of Search ..... D15/10-12, D15/15, 22-23, 25-26, 28, 30-33; 180/89.1, 89.12, 89.19; 56/320.1, 320.2, DIG. 22, 13.4

[56] References Cited

U.S. PATENT DOCUMENTS

D. 194,349 1/1963 Hungerford ..... D15/23

D. 245,604 8/1977 Cognata et al. .... D15/23  
3,611,682 10/1971 Isaacson et al. .... 56/DIG. 22  
3,815,701 6/1974 Mayhew ..... 180/69.21  
4,304,141 12/1981 Tone et al. .... 56/DIG. 22

Primary Examiner—Wallace R. Burke  
Assistant Examiner—Ruth Takemoto  
Attorney, Agent, or Firm—Jordan and Hamburg

[57] CLAIM

The ornamental design of an agricultural tractor, as shown and described.

DESCRIPTION

FIG. 1 is a left side elevational view of an agricultural tractor showing our new design; FIG. 2 is a right side elevational view thereof; FIG. 3 is a top plan view thereof; FIG. 4 is a front elevational view thereof; and FIG. 5 is a rear elevational view thereof. The tires shown in broken lines in FIGS. 1-5 are for illustrative purposes only and form no part of the claimed design.

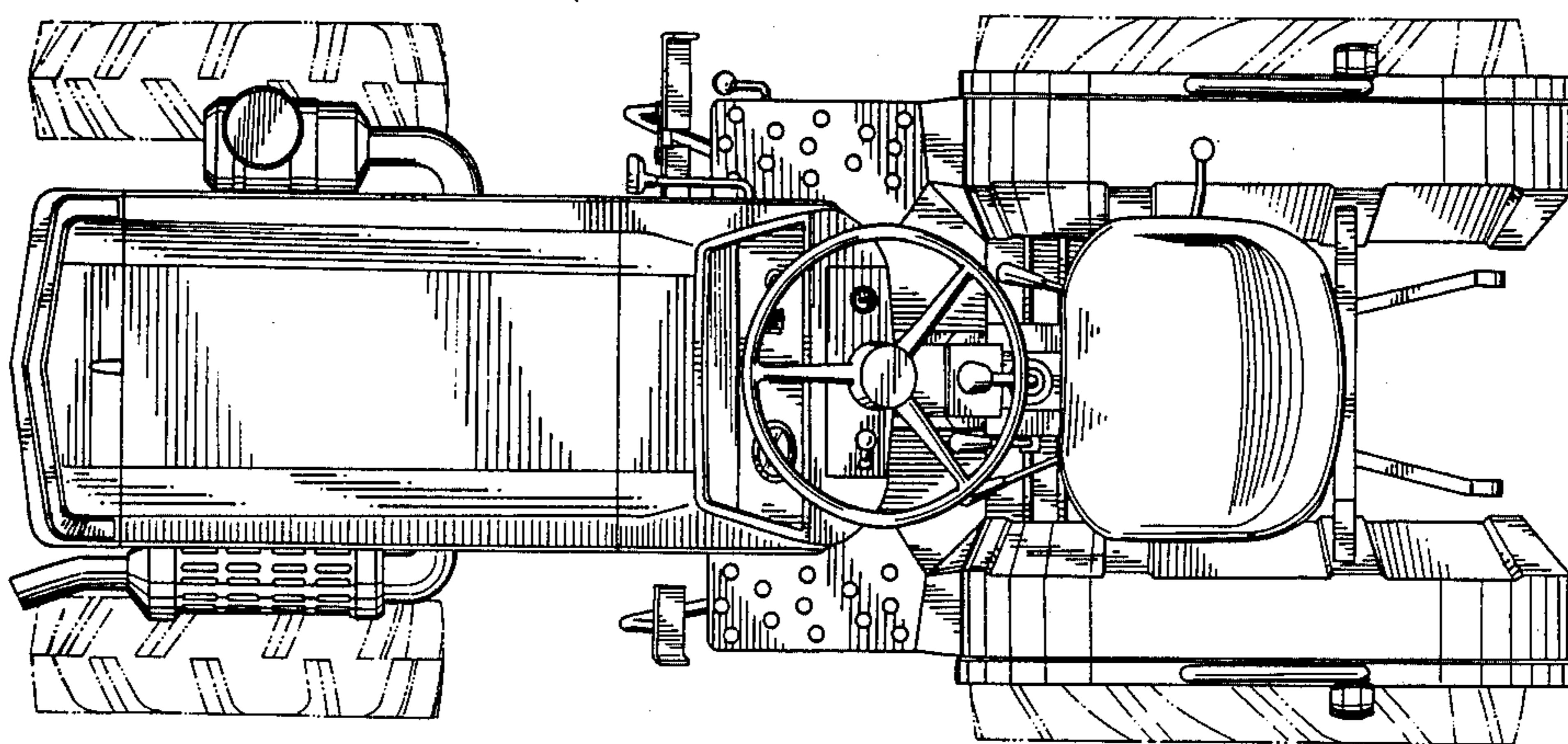
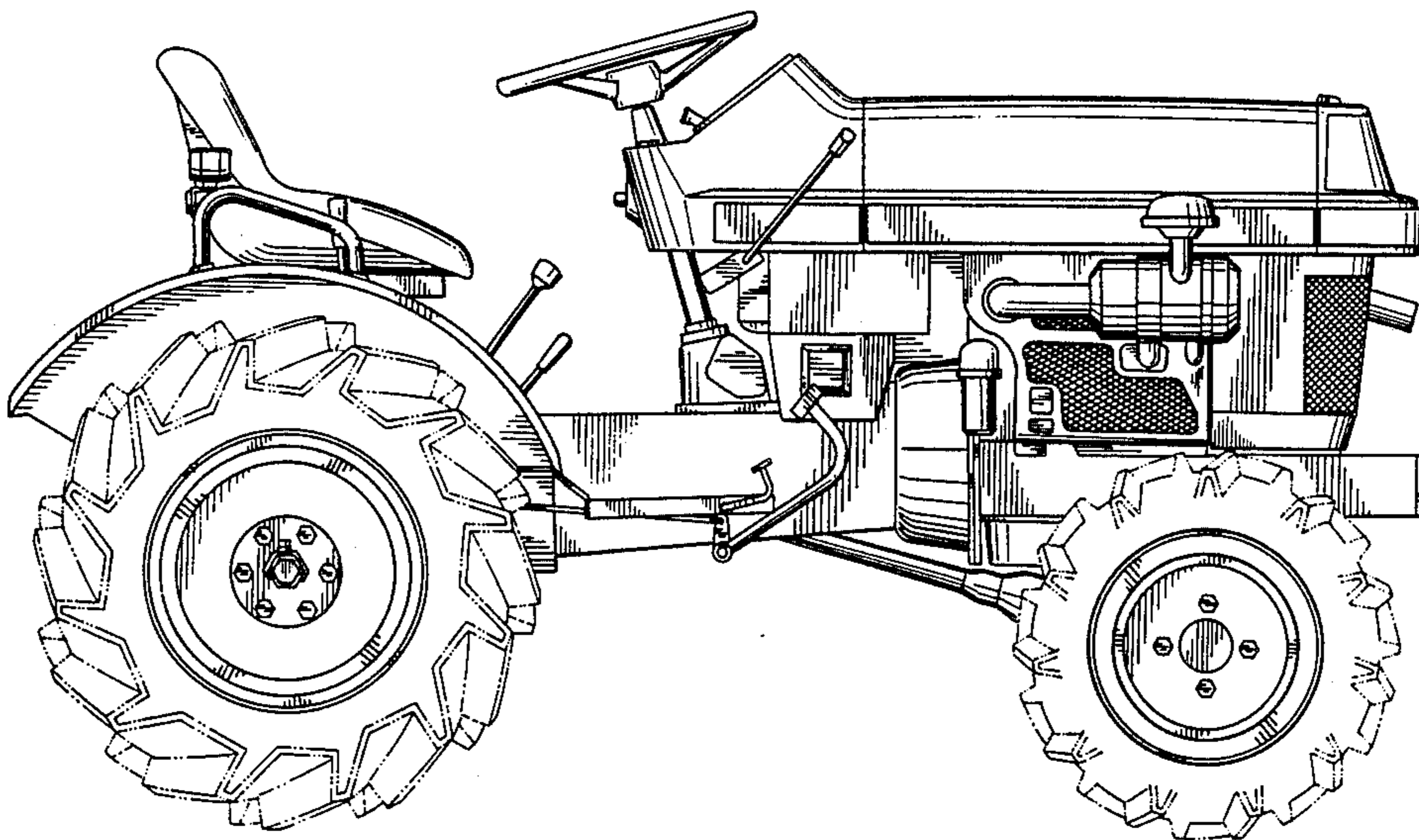
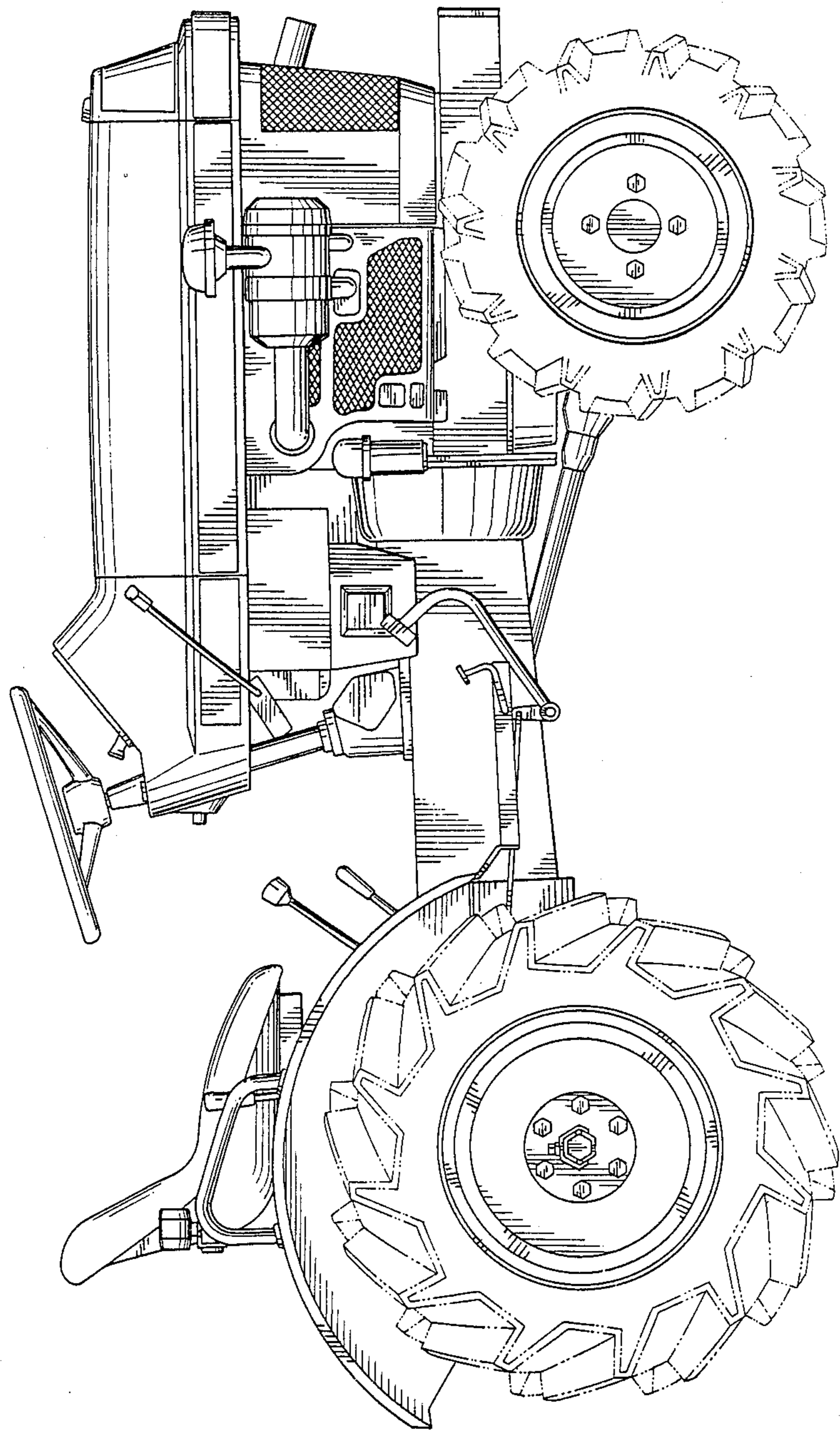


Fig. 1





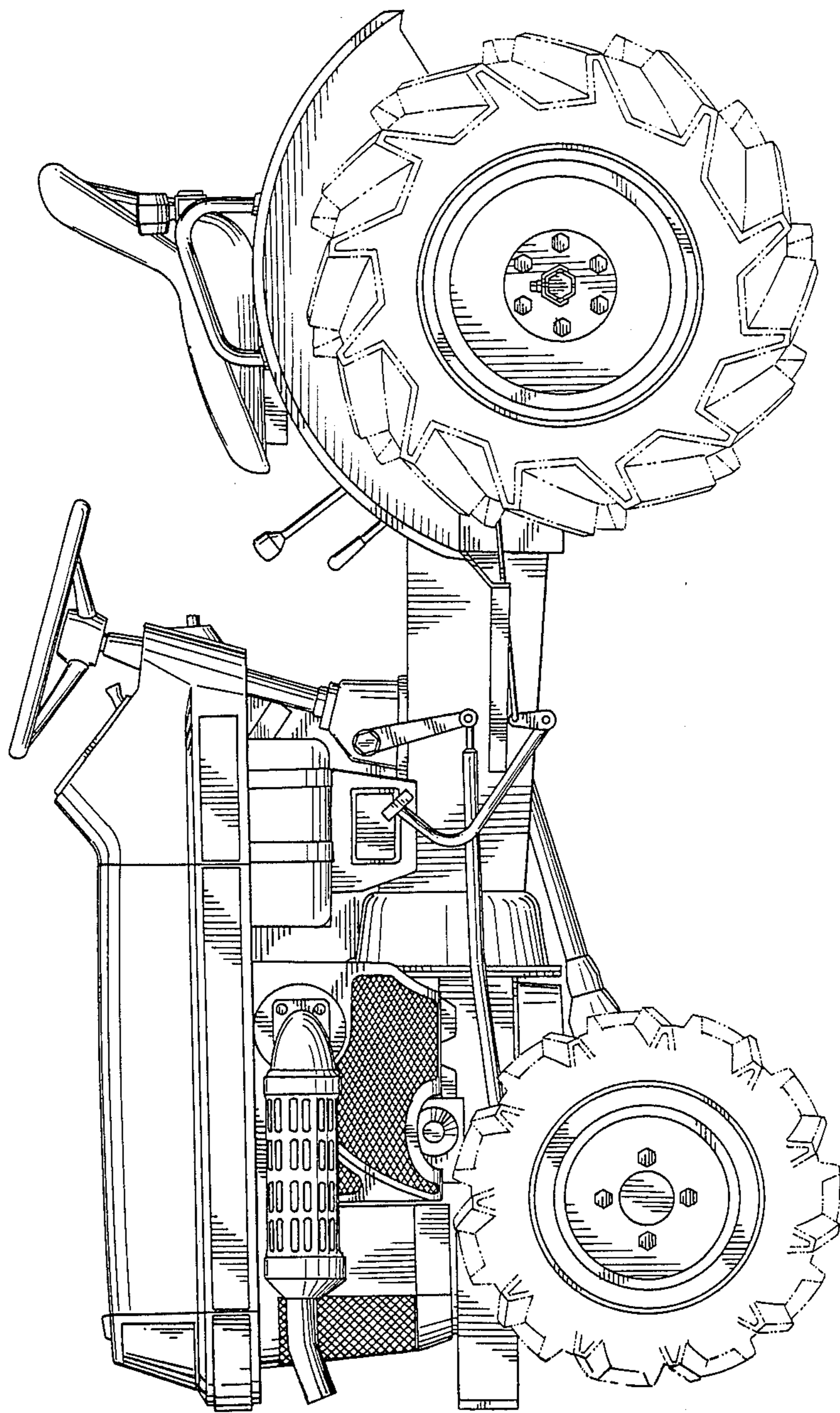


Fig. 2

Fig. 3

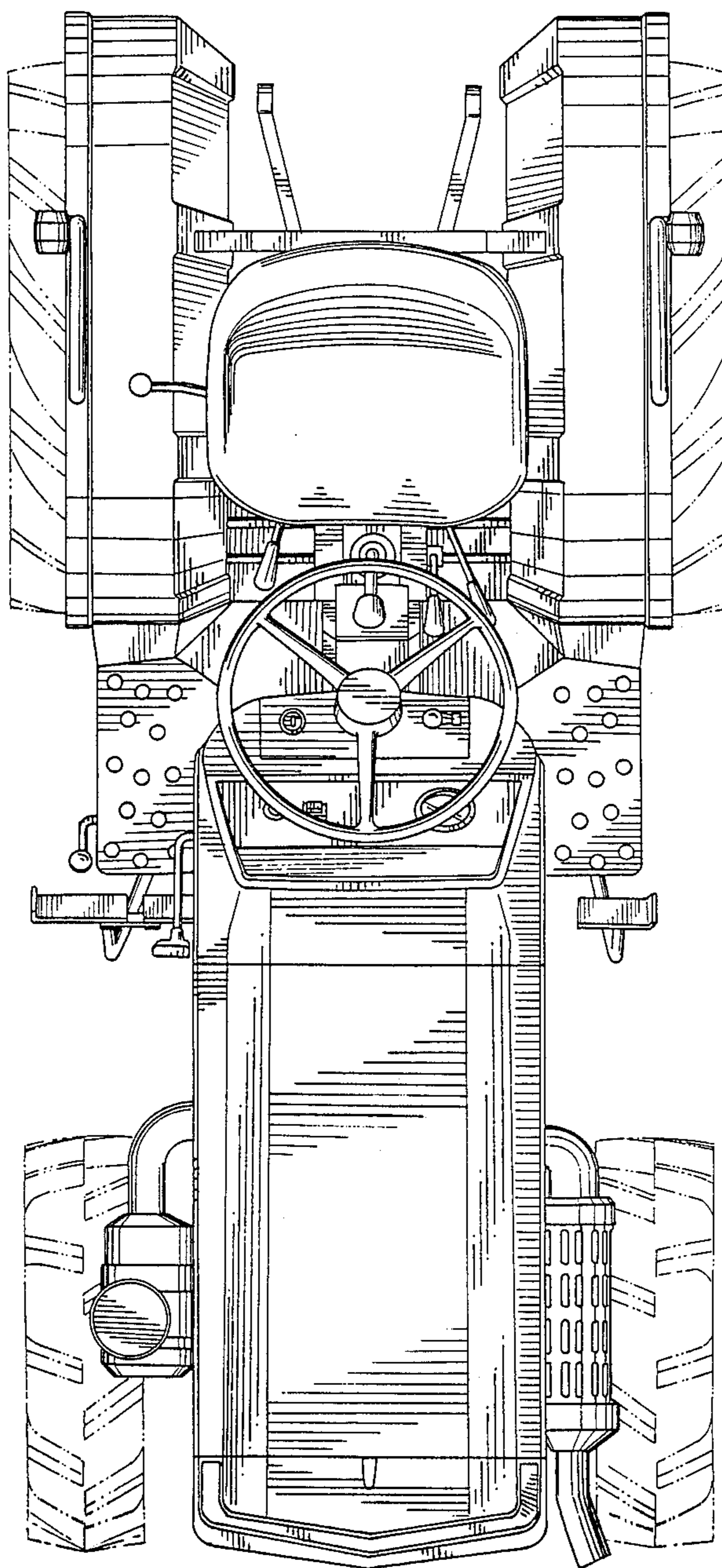


Fig. 5

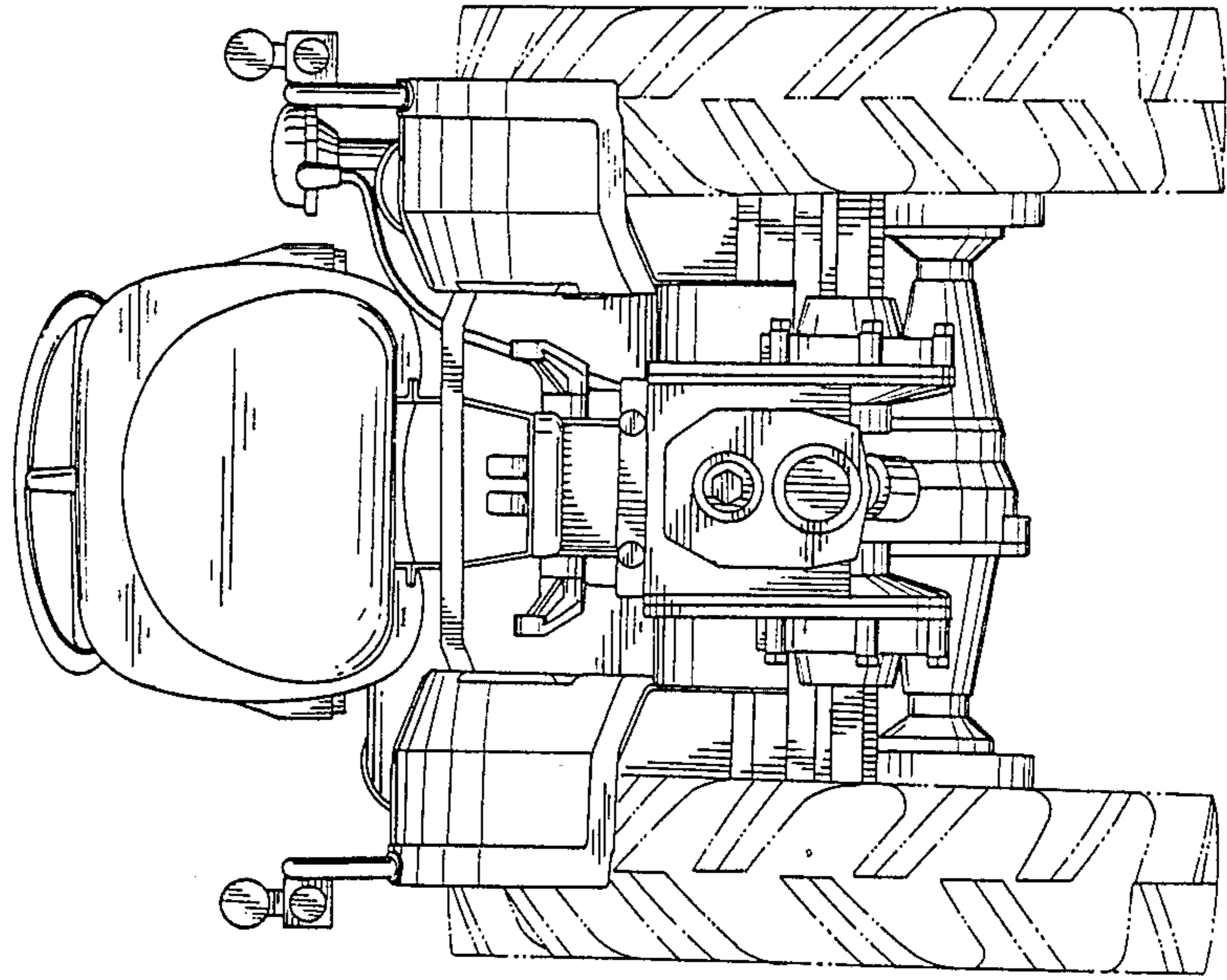


Fig. 4

