

[54] POWER TILLER

[75] Inventors: Tokio Horikawa; Arinobu Ishida, both of Sakai, Japan

[73] Assignee: Kubota, Ltd., Osaka, Japan

[\*\*] Term: 14 Years

[21] Appl. No.: 845,744

[22] Filed: Mar. 24, 1986

[30] Foreign Application Priority Data

Sep. 30, 1985 [JP] Japan ..... 60-41156

[52] U.S. Cl. .... D15/11

[58] Field of Search ..... D15/10-12, D15/22-23, 25-26, 28, 30-33; 180/89.12, 89.1, 89.19; 172/42-43, 256-258

[56] References Cited

U.S. PATENT DOCUMENTS

D. 269,784 7/1983 Stark ..... D15/12

D. 280,824 10/1985 Mikado ..... D15/12

D. 281,611	12/1985	Mikado	.....	D15/12
4,396,067	8/1983	Enters et al.	.....	172/42
4,398,606	8/1983	Herscher	.....	D15/11
4,434,856	3/1984	Crane et al.	.....	172/42
4,640,366	2/1987	Saito	.....	172/42

OTHER PUBLICATIONS

Medalists from Murray, 1978 catalog, p. 14.

Primary Examiner—Wallace R. Burke

Assistant Examiner—Ruth Takemoto

Attorney, Agent, or Firm—Jordan and Hamburg

[57] CLAIM

The ornamental design of an power tiller, as shown and described.

DESCRIPTION

FIG. 1 is a right side elevational view of a power tiller showing our new design;

FIG. 2 is a left side elevational view thereof;

FIG. 3 is a top plan view thereof;

FIG. 4 is a front elevational view thereof; and

FIG. 5 is a rear elevational view thereof.

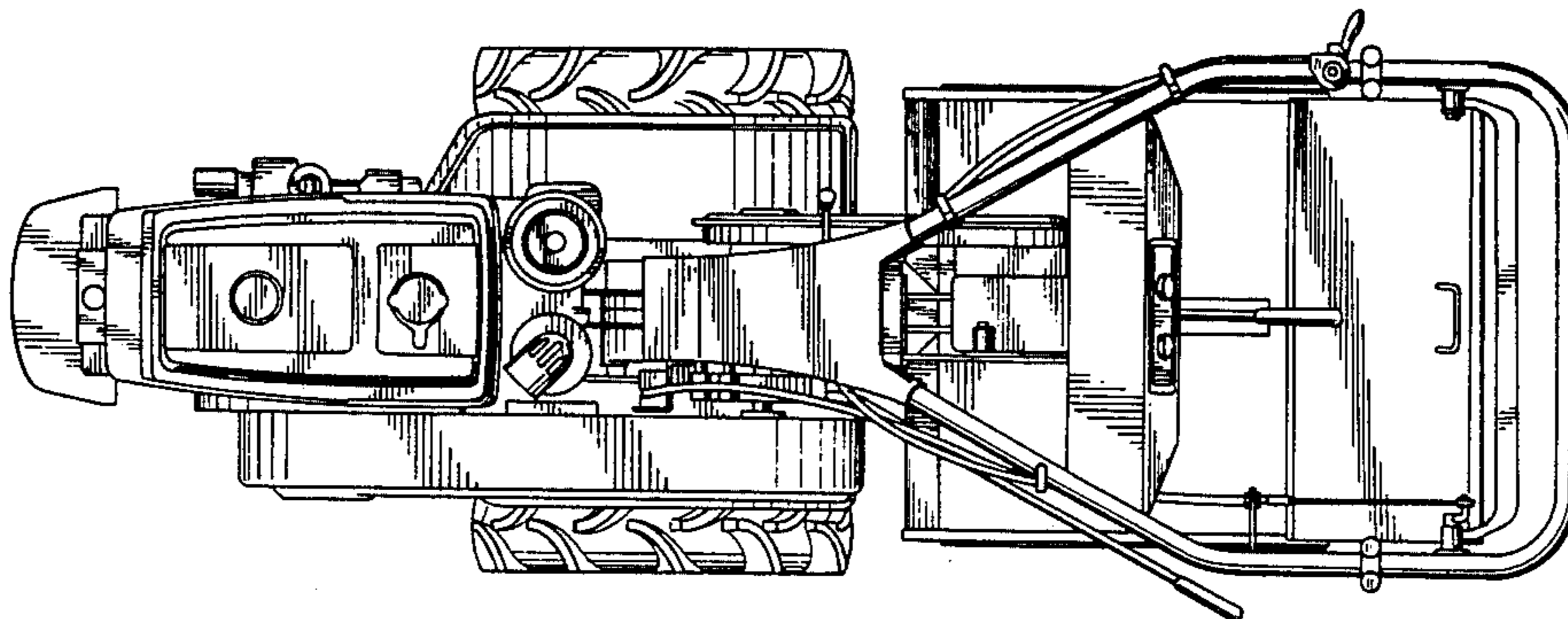
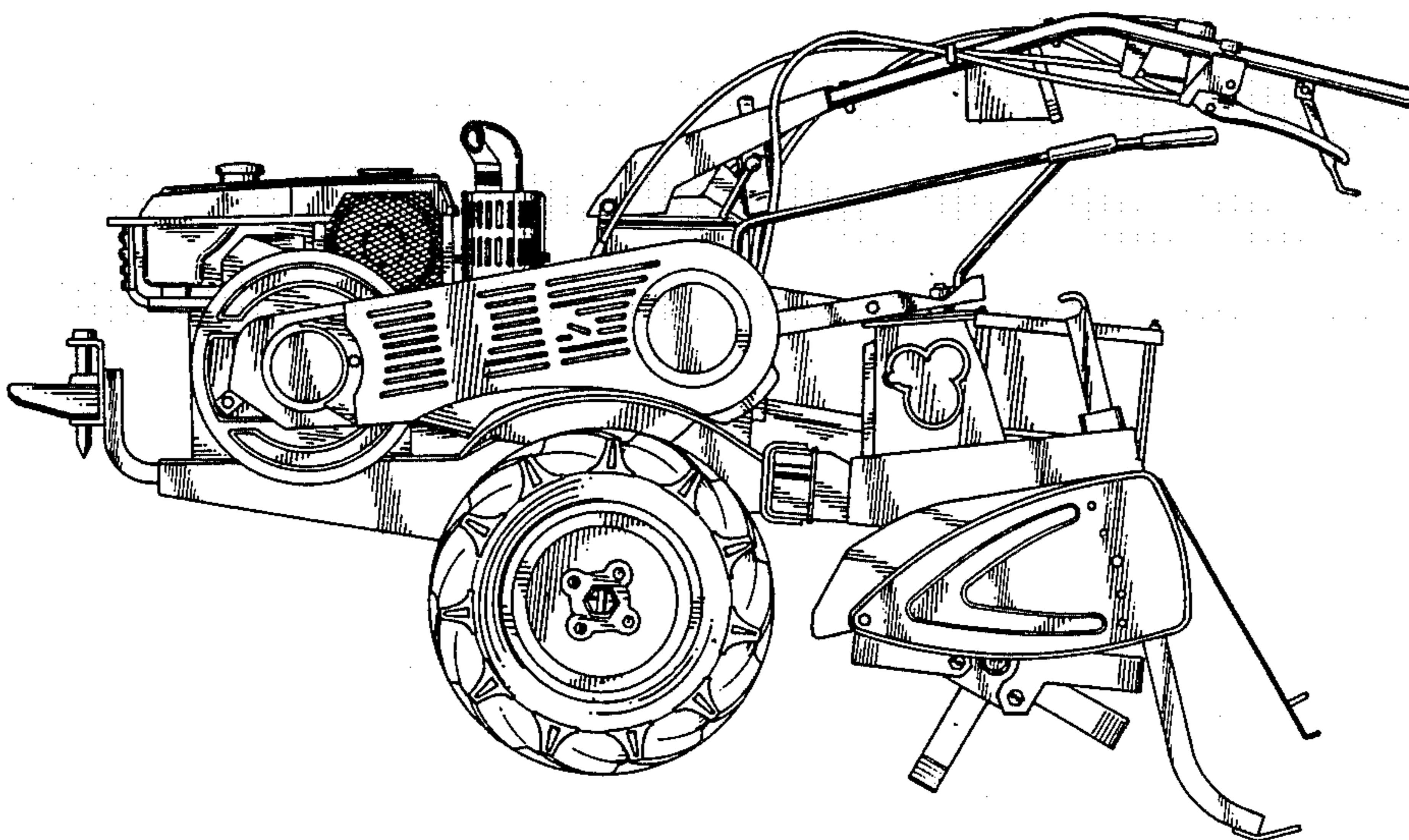


Fig. 1

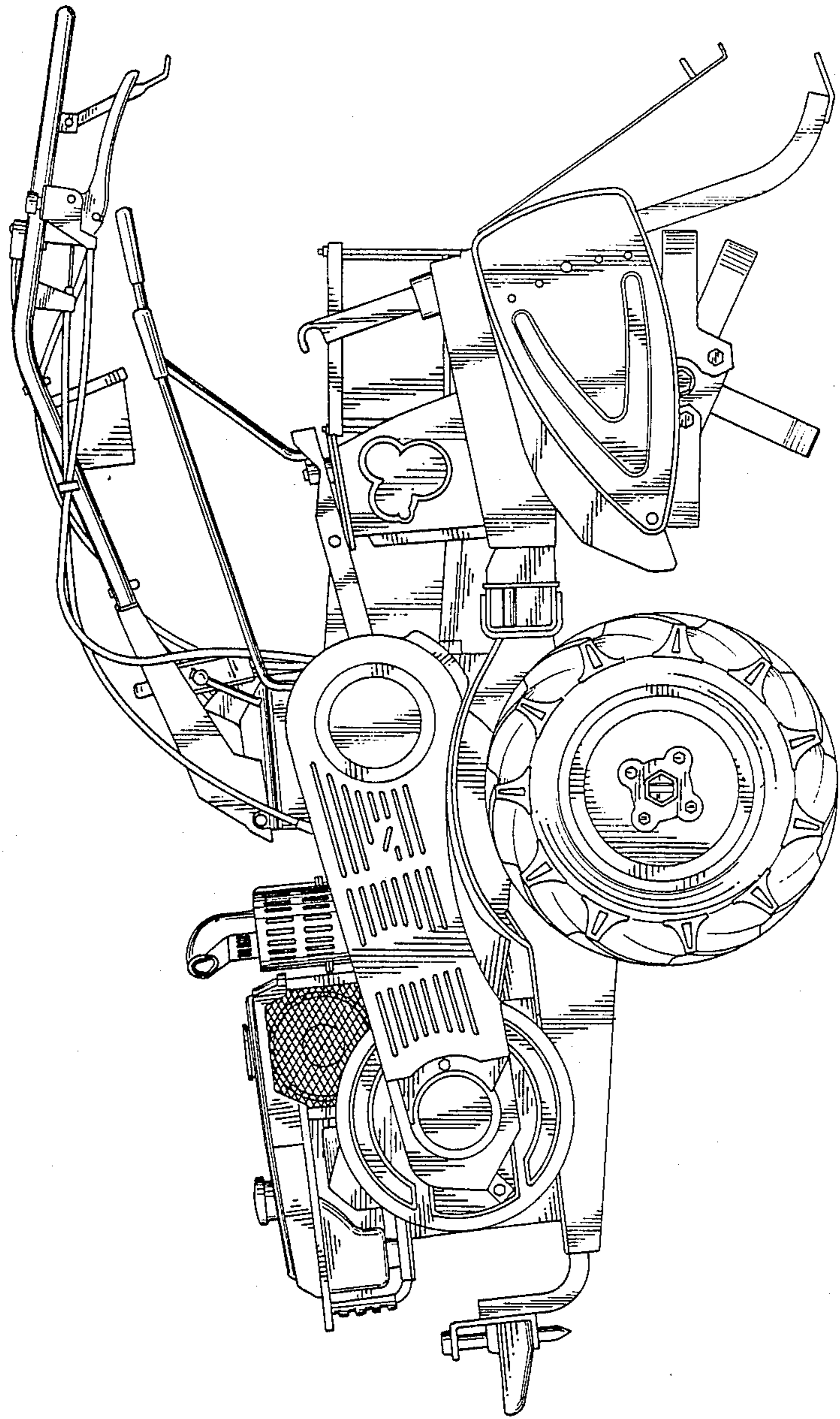


Fig. 2

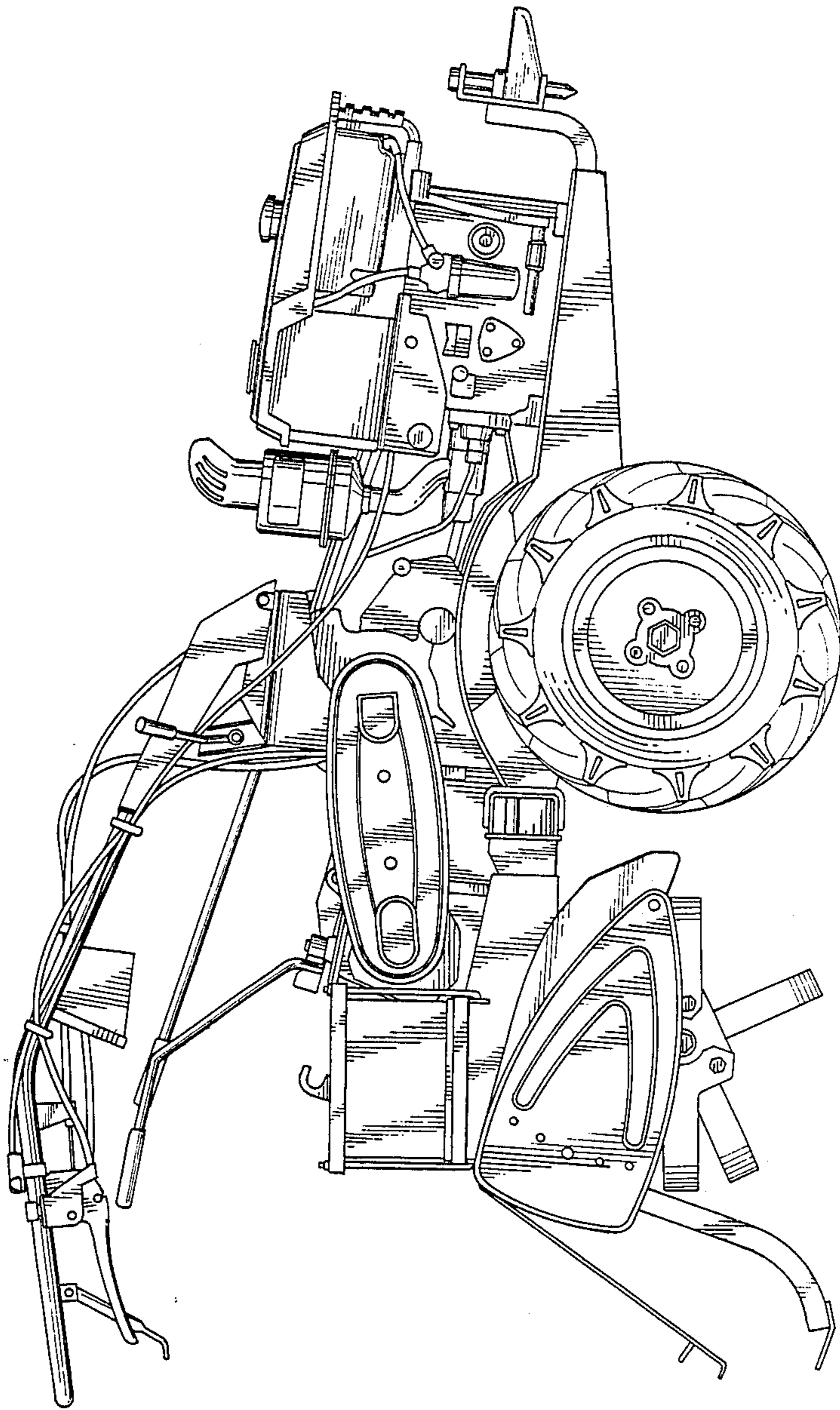


Fig. 3

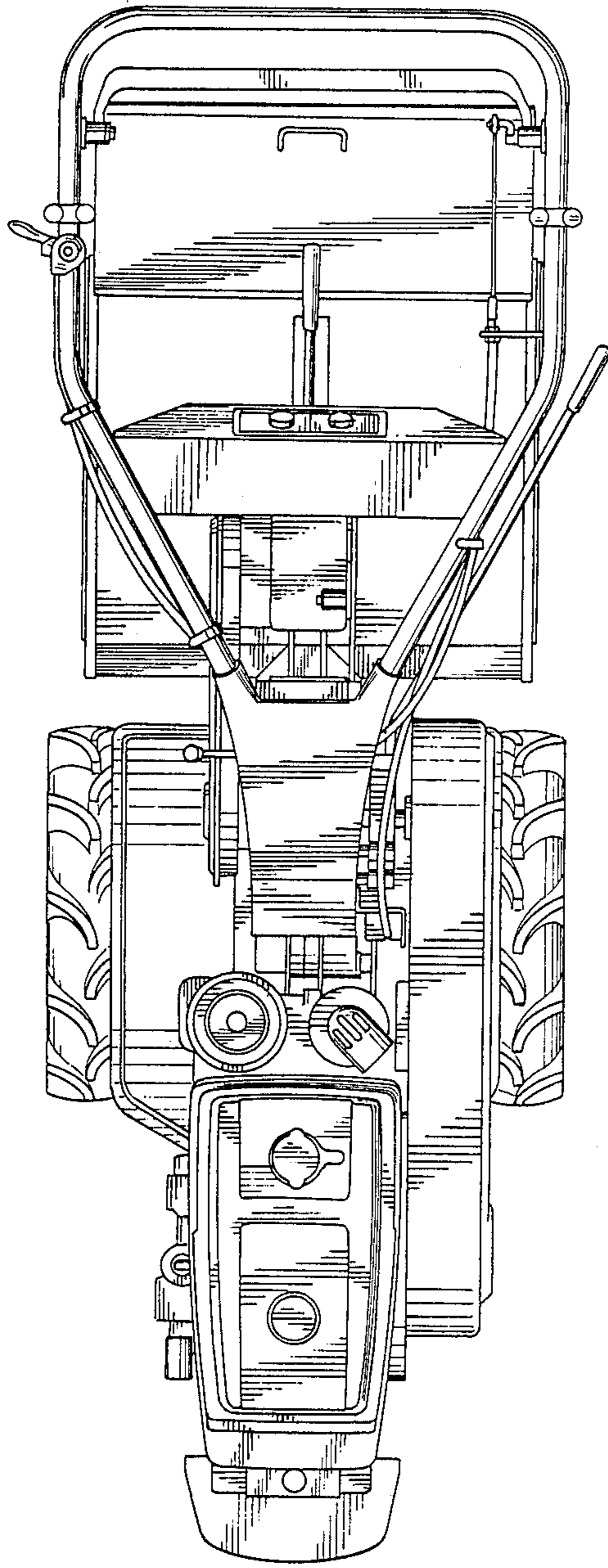


Fig. 5

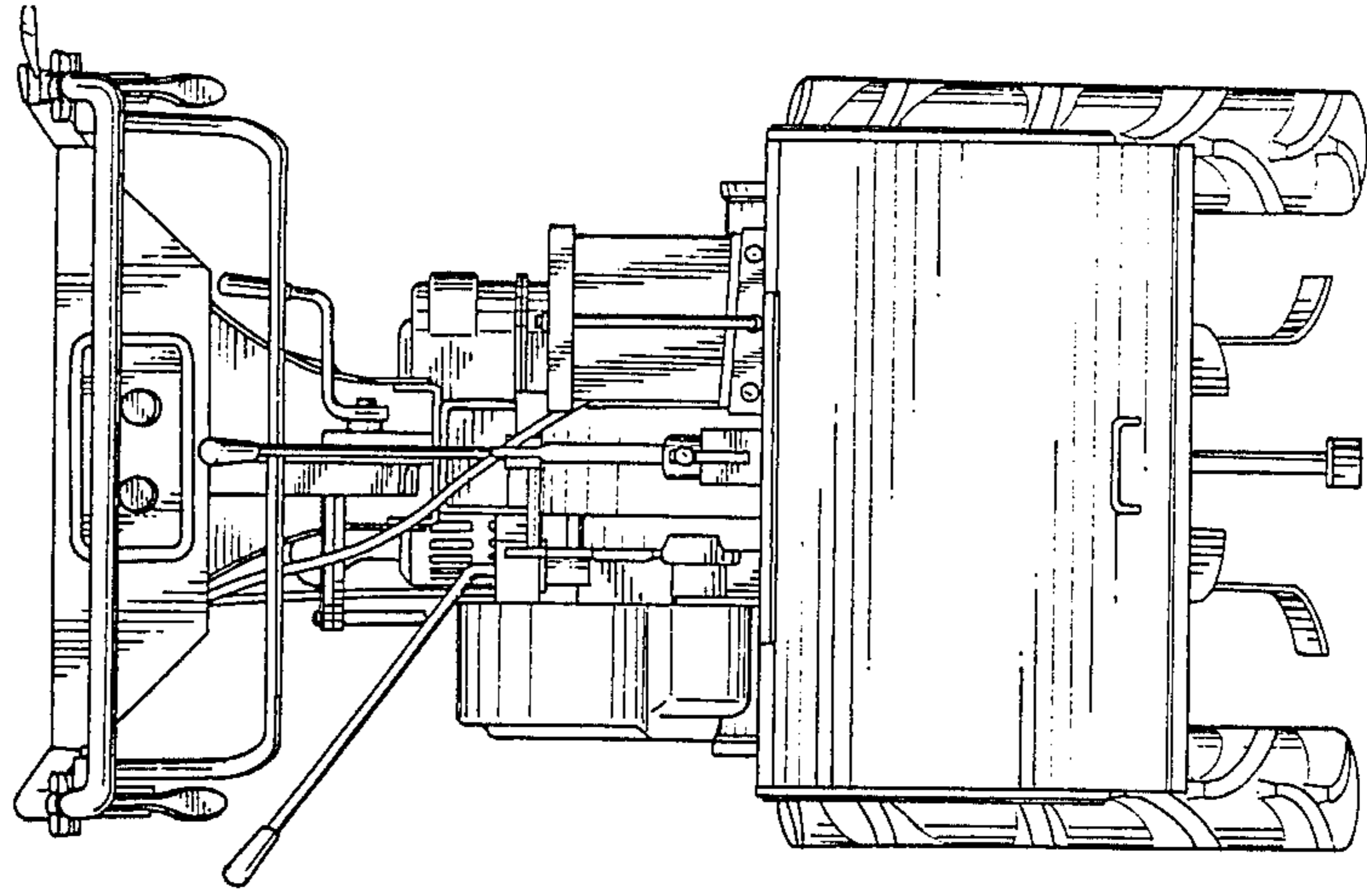


Fig. 4

