

[54] RECEIVER CONSOLE

[75] Inventor: Patrick L. Tiffin, San Luis Obispo, Calif.

[73] Assignee: Ray-Vue Corp., San Luis Obispo, Calif.

[**] Term: 14 Years

[21] Appl. No.: 806,333

[22] Filed: Nov. 25, 1985

[52] U.S. Cl. D14/79; D14/77

[58] Field of Search D14/77, 79-85, D14/99, 113; 358/254, 255; 312/7.2

[56] References Cited

U.S. PATENT DOCUMENTS

D. 211,023 5/1968 Grossman D14/77

D. 213,592 3/1969 Anders D14/79
3,450,454 6/1969 Anders 358/254 X

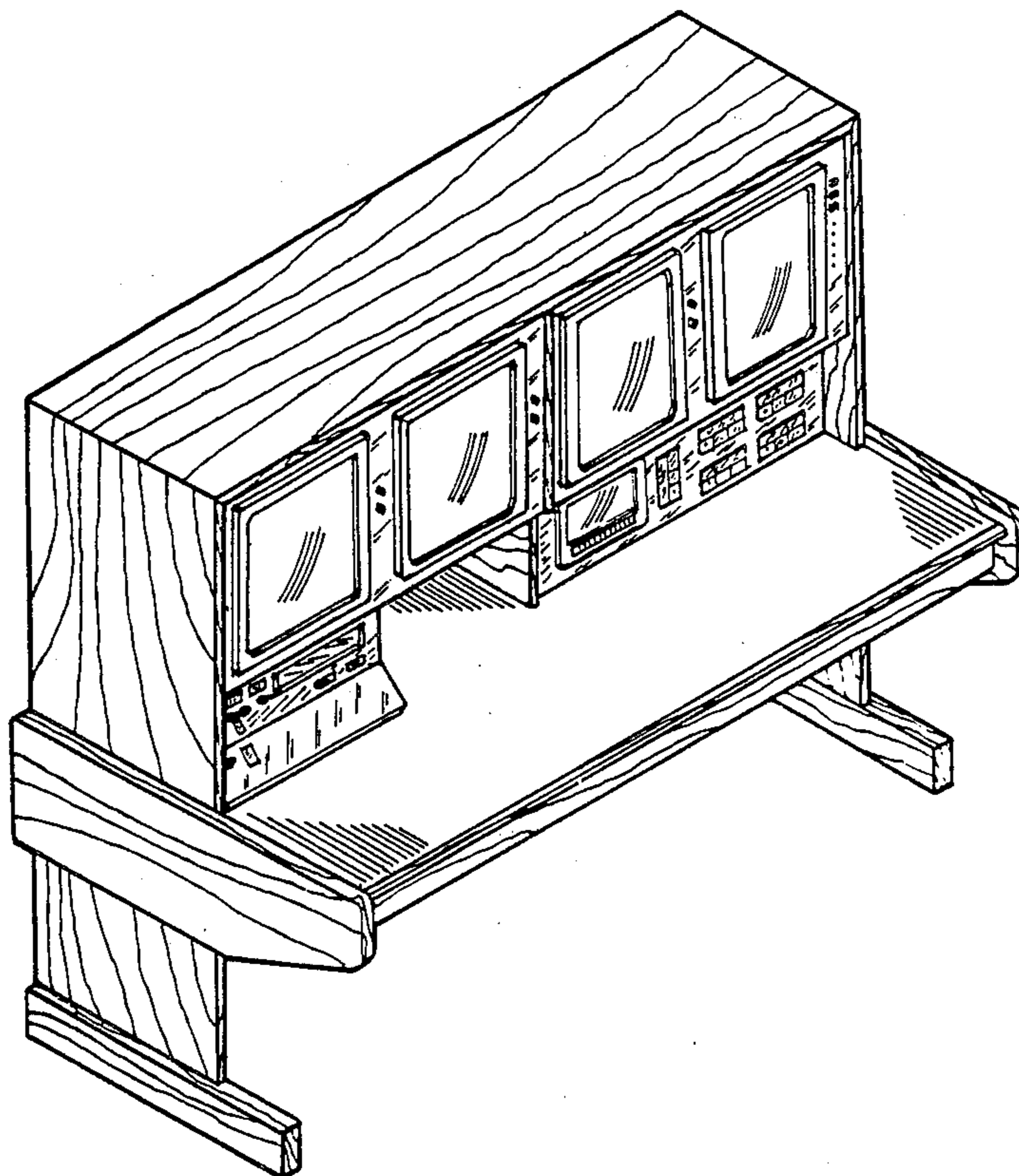
Primary Examiner—Bernard Ansher
Assistant Examiner—Theodore M. Shooman
Attorney, Agent, or Firm—Daniel C. McKown

[57] CLAIM

The ornamental design for a receiver console, as shown and described.

DESCRIPTION

FIG. 1 is a top, front and left side perspective view of a receiver console showing my new design; FIG. 2 is a right side elevational view thereof; FIG. 3 is a front elevational view thereof; FIG. 4 is a top plan view thereof; and FIG. 5 is a rear elevational view thereof. The bottom of the receiver console is unornamented.



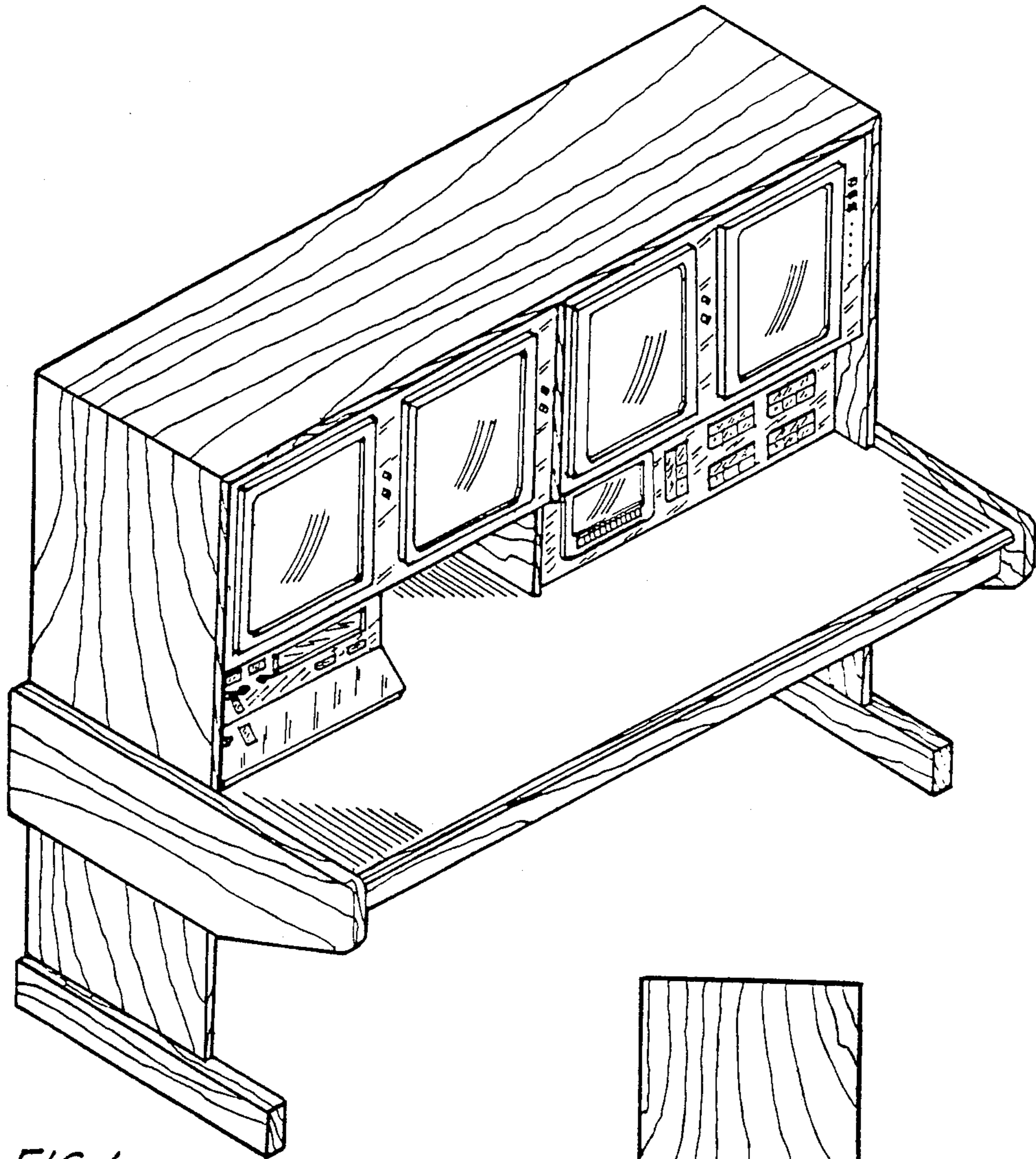


FIG. 1

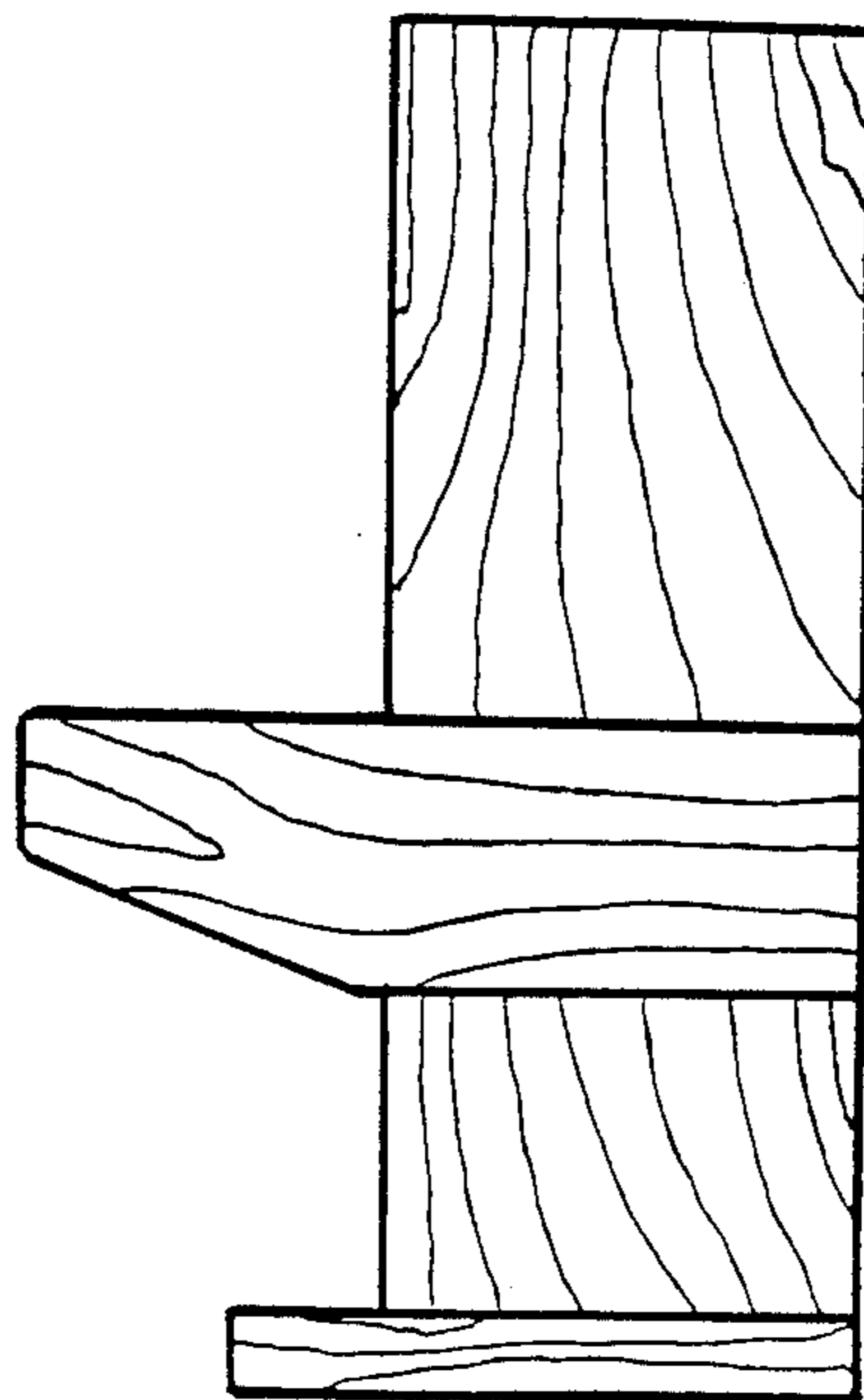


FIG. 2

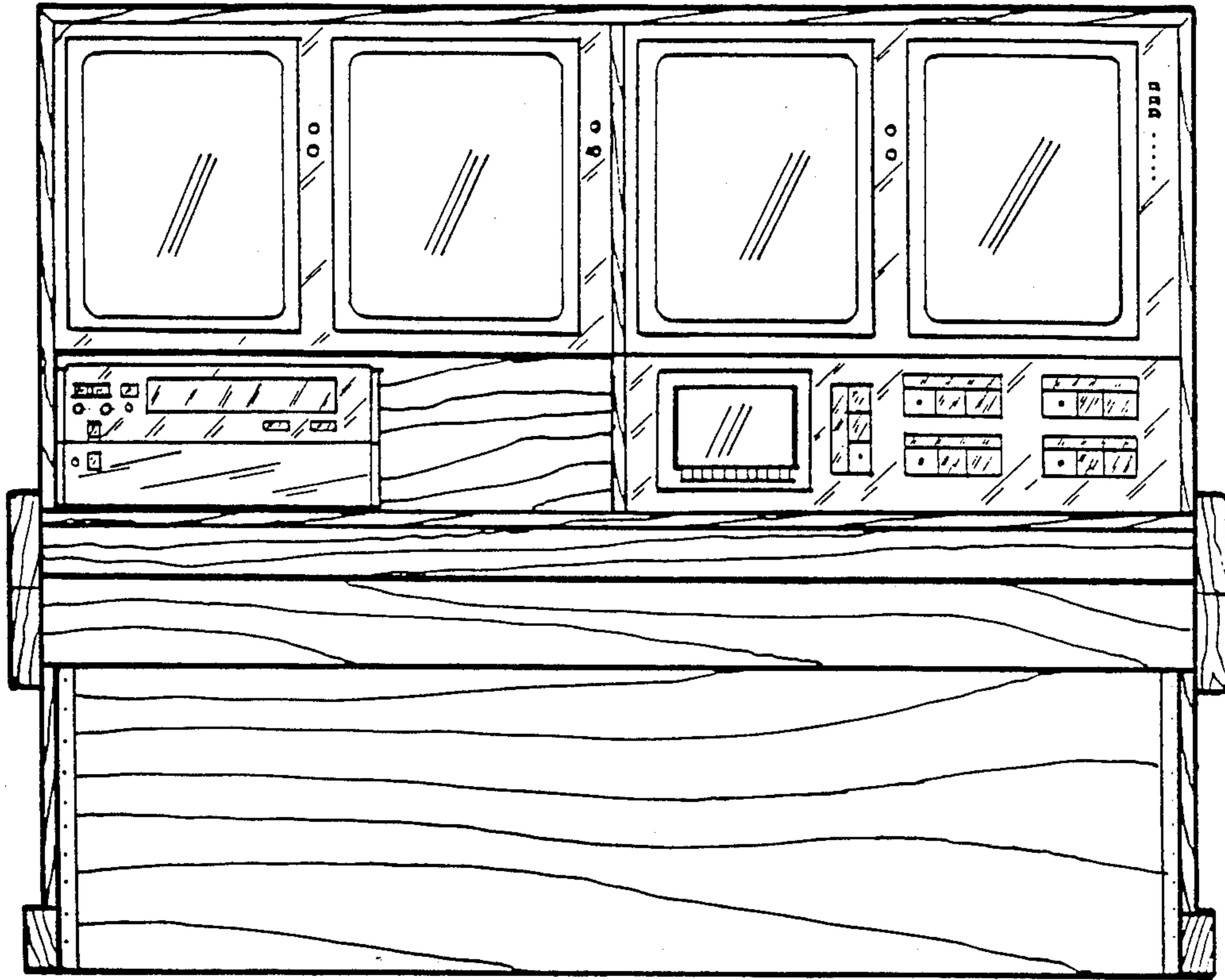


FIG. 3

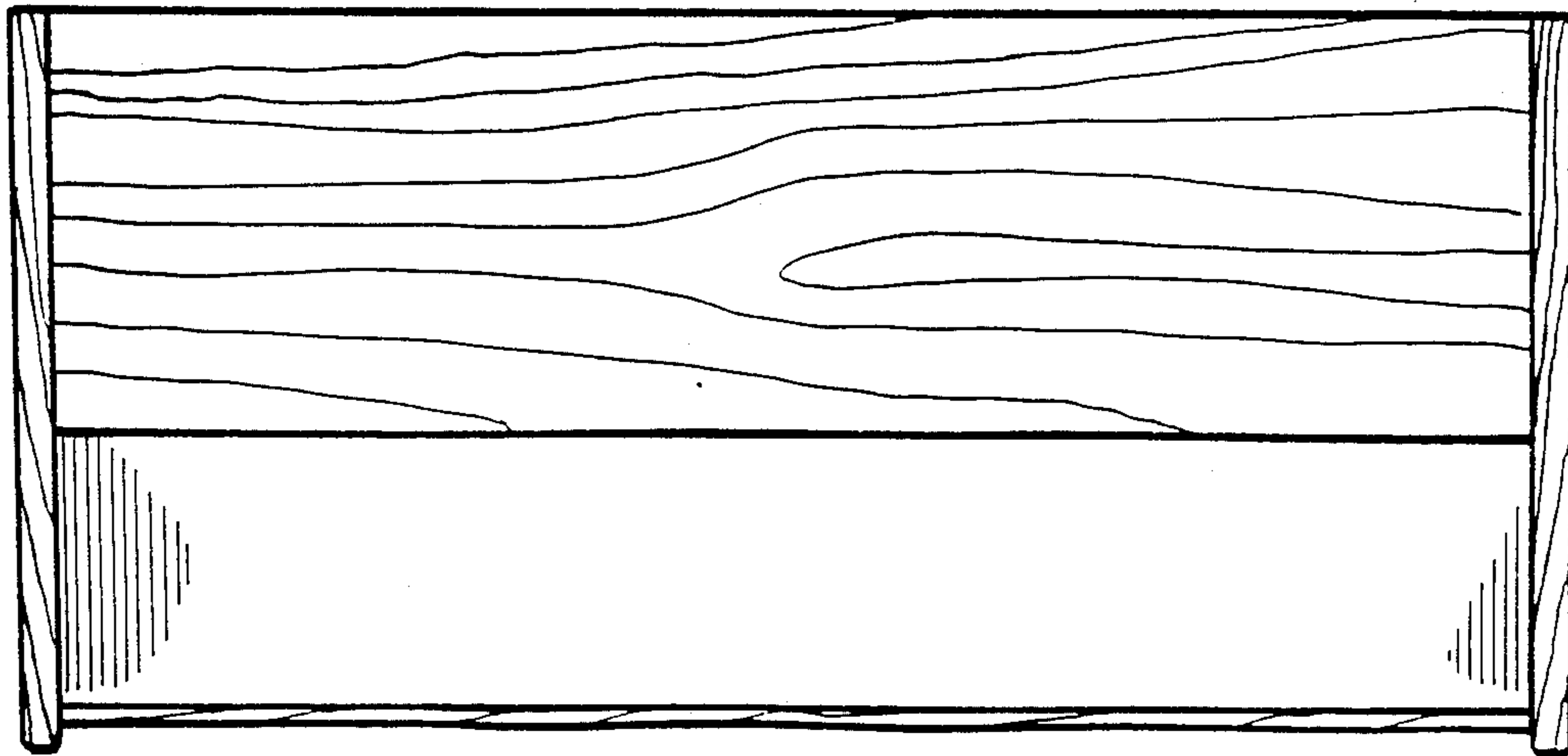


FIG. 4

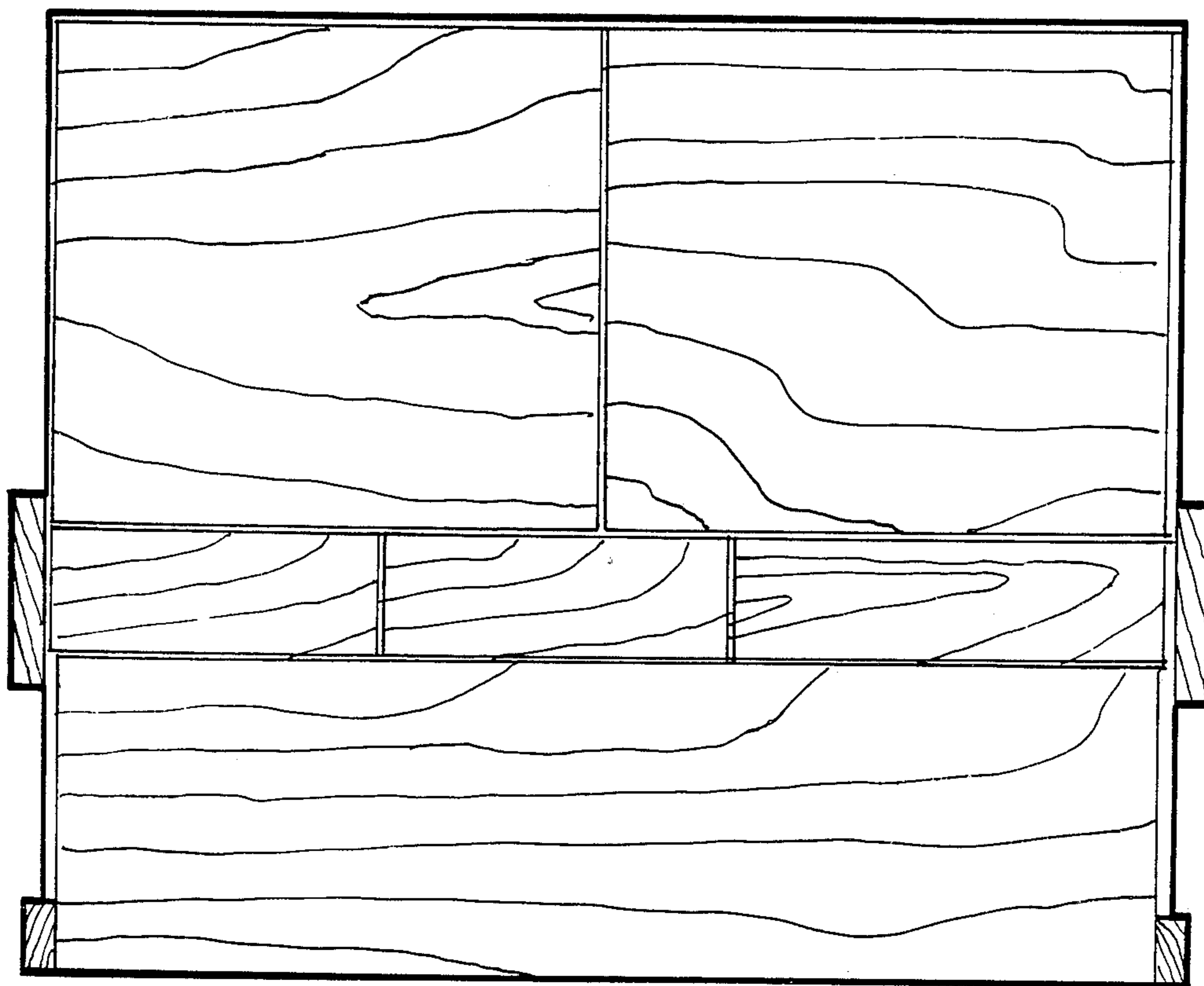


FIG. 5