

[54] CABLE ASSEMBLY

[76] Inventors: William F. Rasnake, 20830 28th Ave. SE., Bothell, Wash. 98021; Jeffrey C. Brown, 522 NE. 91st St.; Heiman Wong, 1548 NE. 165th St., both of Seattle, Wash. 98155

[**] Term: 14 Years

[21] Appl. No.: 779,438

[22] Filed: Sep. 24, 1985

[52] U.S. Cl. D13/24; D13/28; D10/80

[58] Field of Search D13/24, 28; 439/502, 439/505; D10/80, 75, 78

[56] References Cited

U.S. PATENT DOCUMENTS

- D. 186,434 10/1959 King D13/28
- D. 203,748 2/1966 Seidorl D13/24

- D. 221,856 9/1971 Kinnard D10/80
- D. 267,713 1/1983 Noda D13/24
- D. 270,628 9/1983 Bobrovinczky D13/28
- D. 283,318 4/1986 Tibolla D13/28 X
- 2,748,359 5/1956 Swan 439/502
- 2,857,570 10/1958 Simpson 439/502 X
- 3,535,638 10/1970 Michelin 439/502 X
- 3,890,836 6/1975 McKenzie 439/502 X
- 4,214,804 7/1980 Little 439/502

Primary Examiner—Nelson C. Holtje

[57] CLAIM

The ornamental design for a cable assembly, as shown and described.

DESCRIPTION

FIG. 1 is a rear elevational view of a cable assembly, showing our new design;
 FIG. 2 is a left side elevational view thereof;
 FIG. 3 is a front elevational view thereof;
 FIG. 4 is a right side elevational view thereof;
 FIG. 5 is a bottom plan view thereof.

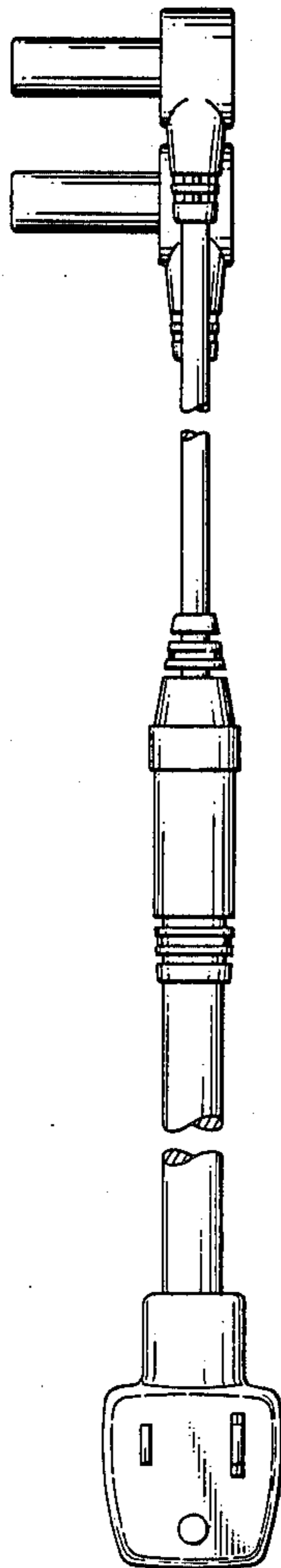


FIG. 1

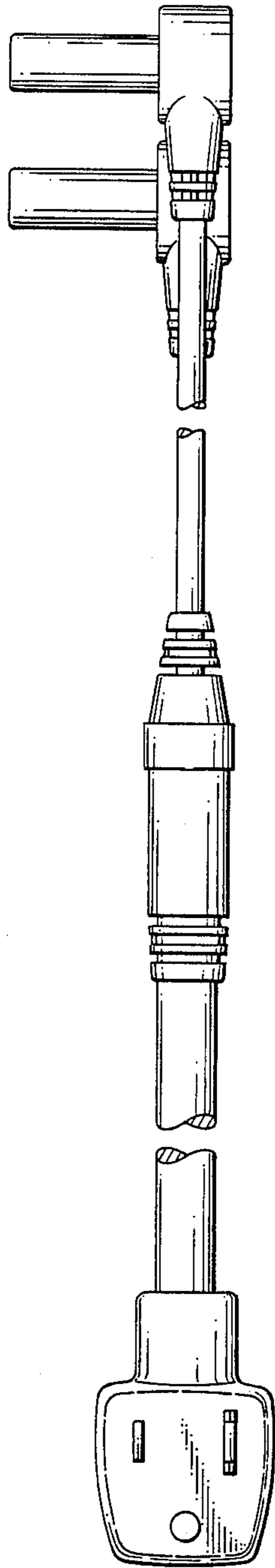


FIG. 2

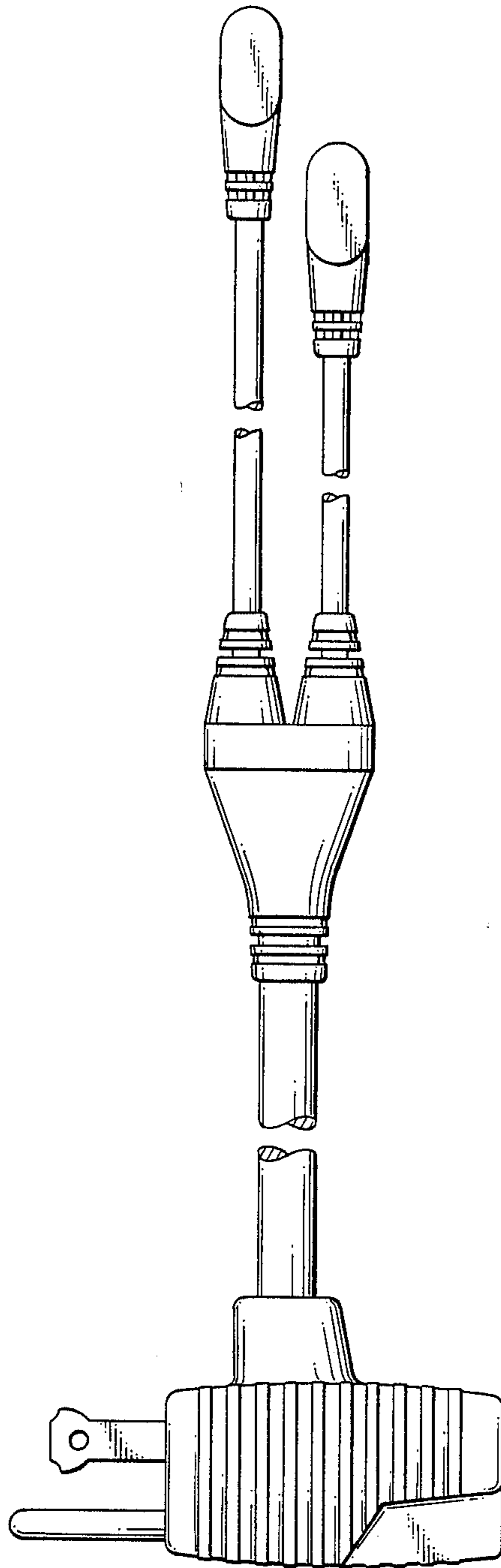


FIG. 3

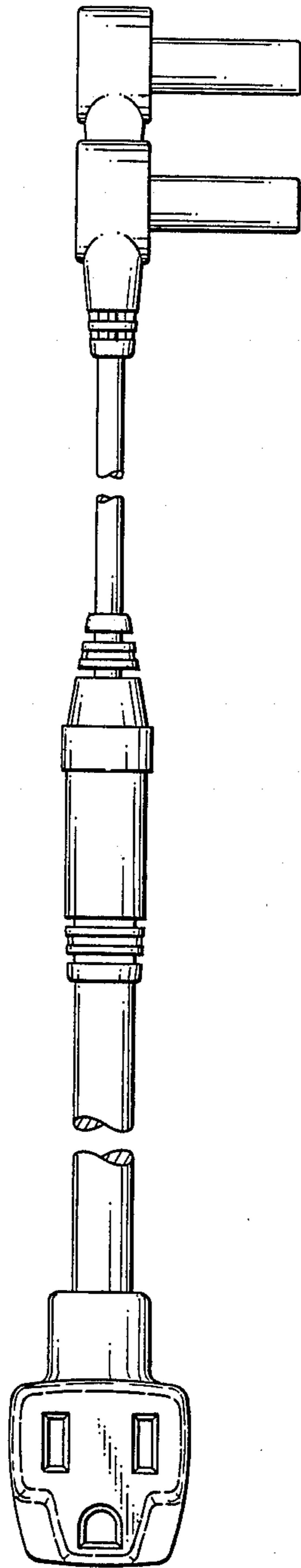


FIG. 4

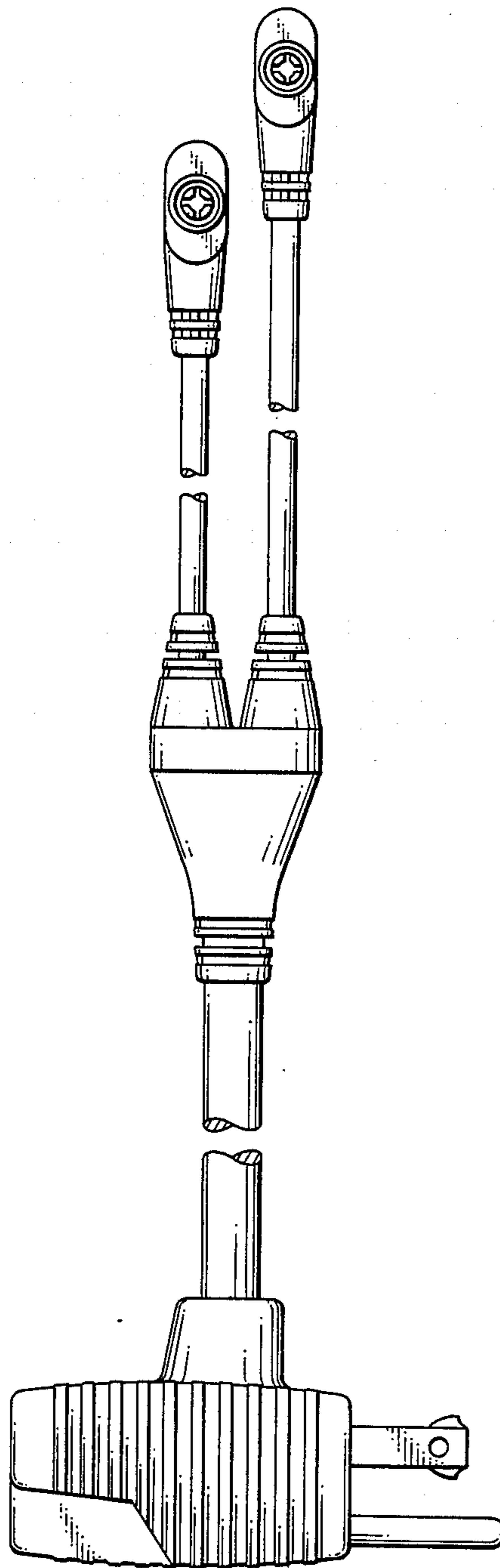


FIG. 5

