

[54] **VEHICLE SUN VISOR ATTACHMENT**

[75] **Inventor: Leonard P. Zick, Scottsdale, Ariz.**

[73] **Assignee: Visor-Roll, Inc., Scottsdale, Ariz.**

[**] **Term: 14 Years**

[21] **Appl. No.: 806,331**

[22] **Filed: Nov. 25, 1985**

[52] **U.S. Cl. D12/191**

[58] **Field of Search D12/191; 296/97 C, 97 G**

[56] **References Cited**

U.S. PATENT DOCUMENTS

2,238,981	4/1941	Newell	296/97 C
2,257,612	9/1941	Lininger	296/97 C
2,842,395	7/1958	Davis	D12/191
2,948,566	8/1960	Massey	296/97 C
4,169,552	10/1979	Lichtenstein et al.	296/97 G

FOREIGN PATENT DOCUMENTS

2706517	8/1978	Fed. Rep. of Germany ...	296/97 G
575011	7/1957	Italy	296/97 C

Primary Examiner—James M. Gandy
Attorney, Agent, or Firm—Harry M. Weiss & Associates

[57] **CLAIM**

The ornamental design for a vehicle sun visor attachment, as shown and described.

DESCRIPTION

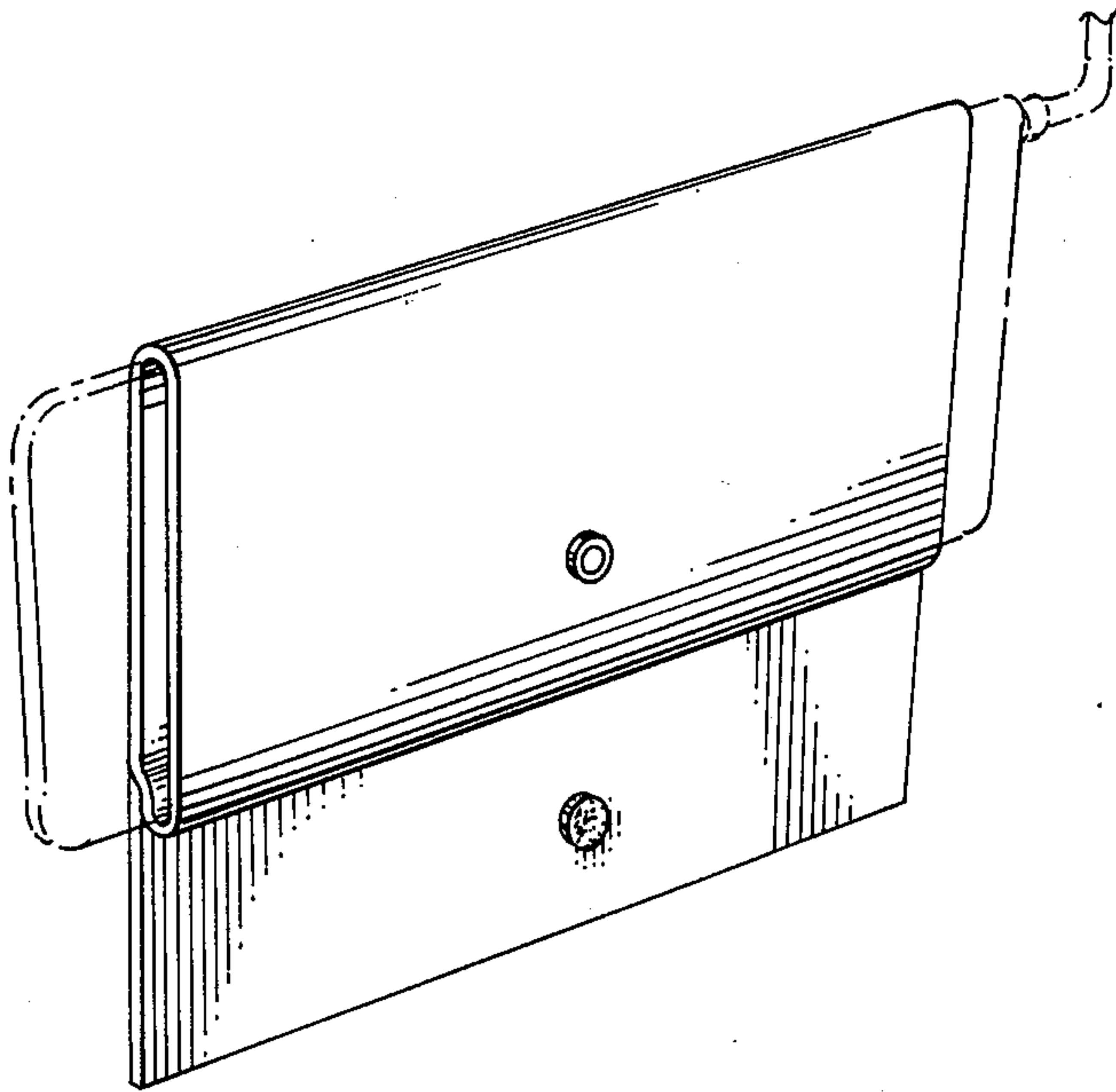
FIG. 1 is a front perspective view of a vehicle sun visor attachment showing my new design in a folded condition it being understood that the broken lines are for illustrative purposes only and form no part of the claimed design;

FIG. 2 is a front perspective view thereof in unfolded condition, wherein the sleeve portion is rotated about the sun visor such that the extension portion is extended from the bottom portion of the sun visor.

FIG. 3 is a rear elevation view of FIG. 2;

FIG. 4 is an end elevation view of FIG. 2.

FIG. 5 is an end elevation view FIG. 1.



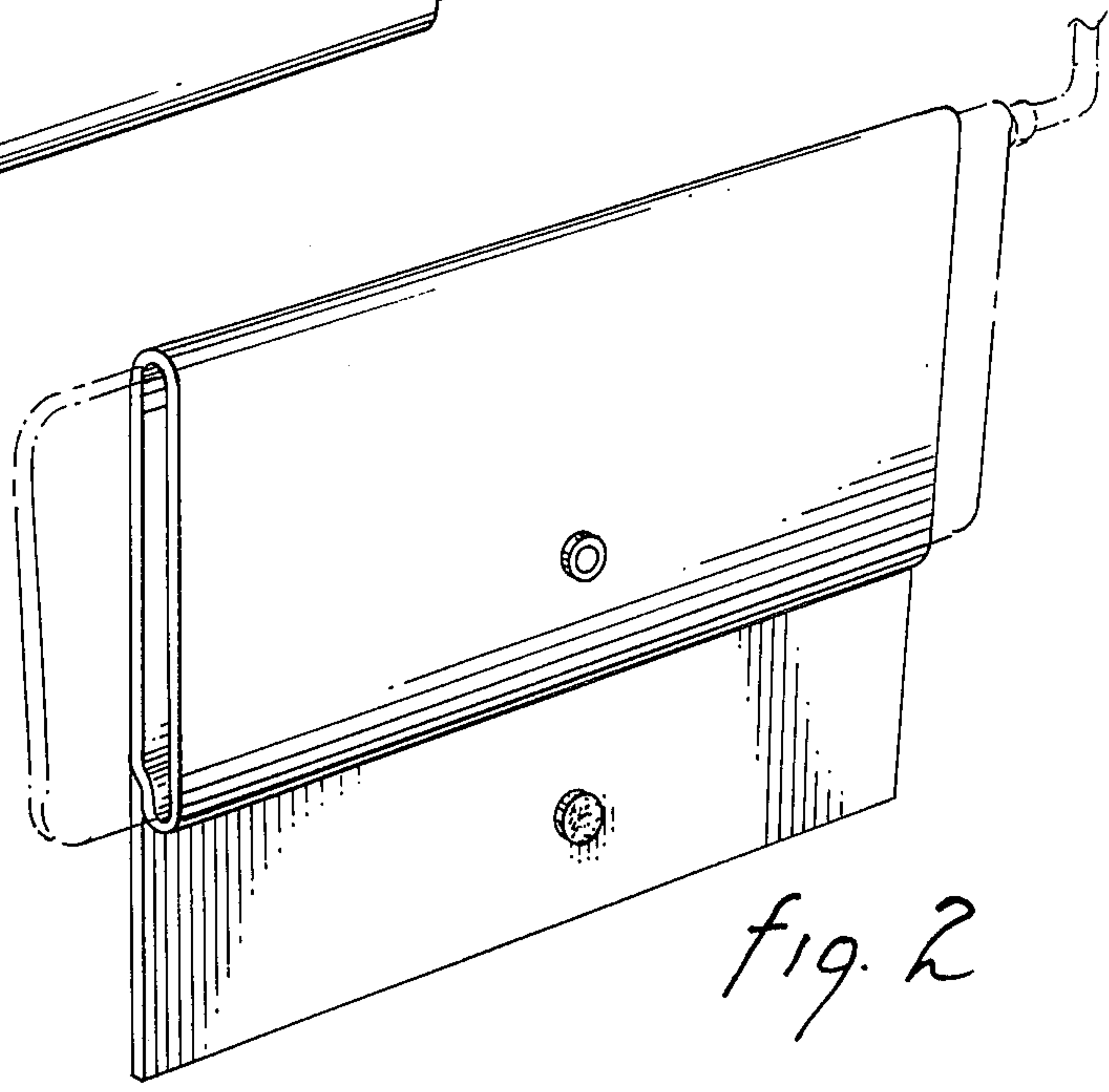
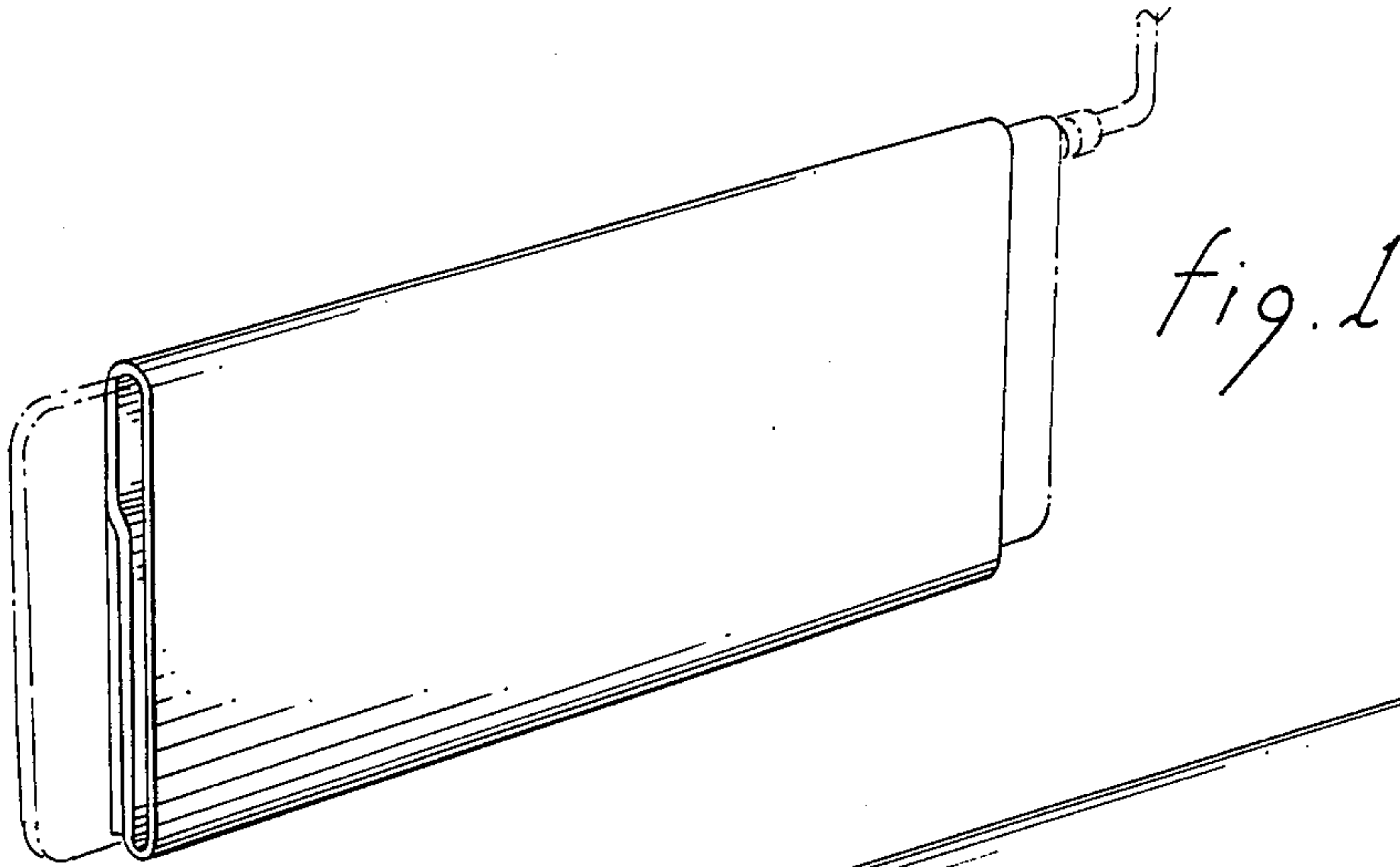


fig. 5

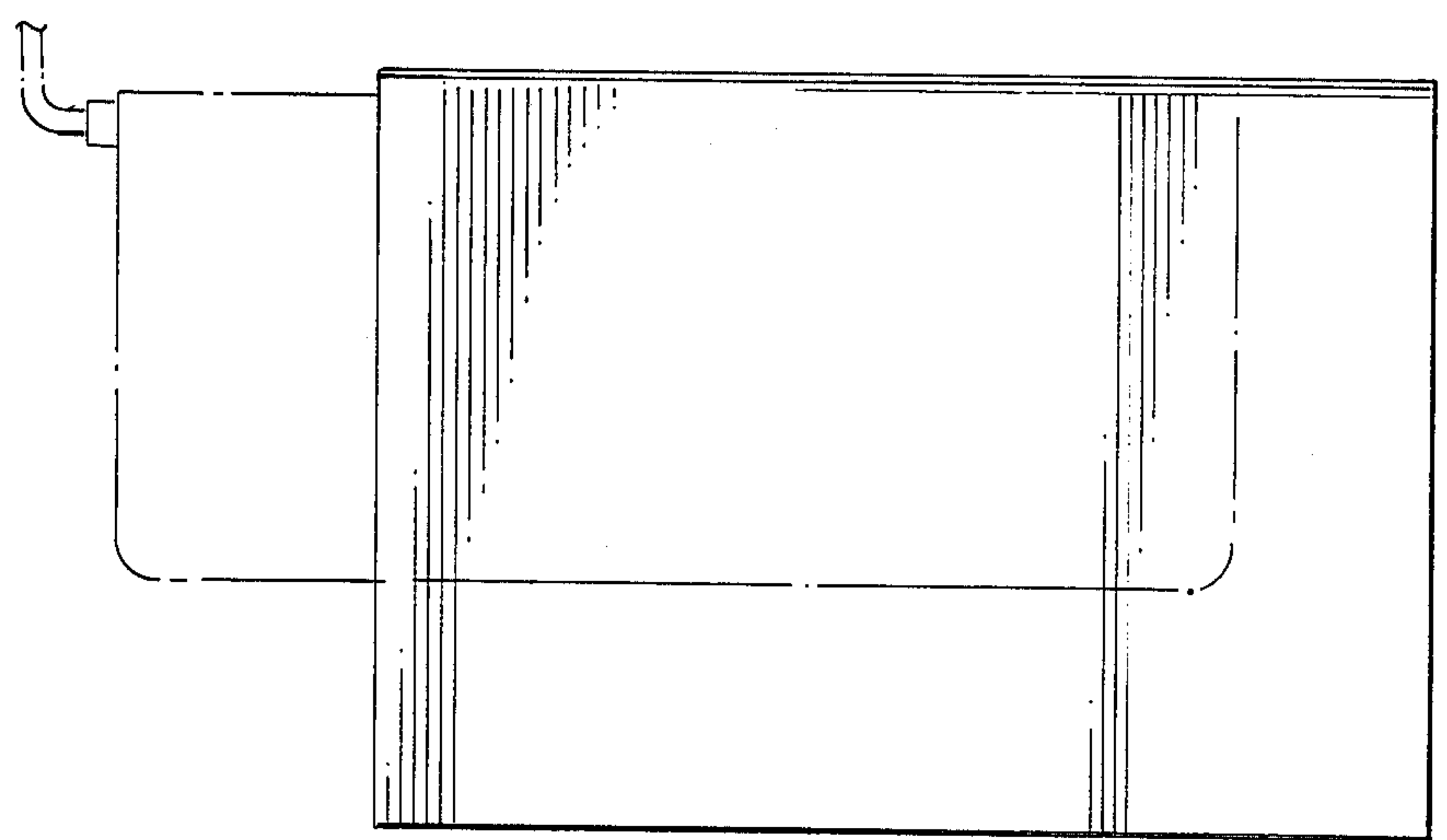


fig. 4

fig. 3