

[54] **SMOKE DETECTOR COVER WITH LIGHT**

[75] **Inventor: Stephen C. Taylor, Etobicoke, Canada**

[73] **Assignee: Dicon Systems Limited, Toronto, Canada**

[\*\*] **Term: 14 Years**

[21] **Appl. No.: 893,717**

[22] **Filed: Aug. 6, 1986**

[52] **U.S. Cl. .... D10/106; D29/6**

[58] **Field of Search ..... D10/104, 106, 121; 340/628, 629, 630, 695; D29/6**

[56] **References Cited**

**U.S. PATENT DOCUMENTS**

- D. 258,943 4/1981 Ng ..... D10/106
- D. 275,187 8/1984 Skarman ..... D10/106
- D. 276,417 11/1984 Fenne ..... D10/106

- D. 279,769 7/1985 Thornton, Jr. et al. .... D10/106
- D. 284,748 7/1986 Fenne ..... D10/106
- 4,092,641 5/1978 Bellinghausen et al. .... 340/628
- 4,099,178 7/1978 Ranney et al. .... 340/630
- 4,529,976 7/1985 Jameson et al. .... 340/628

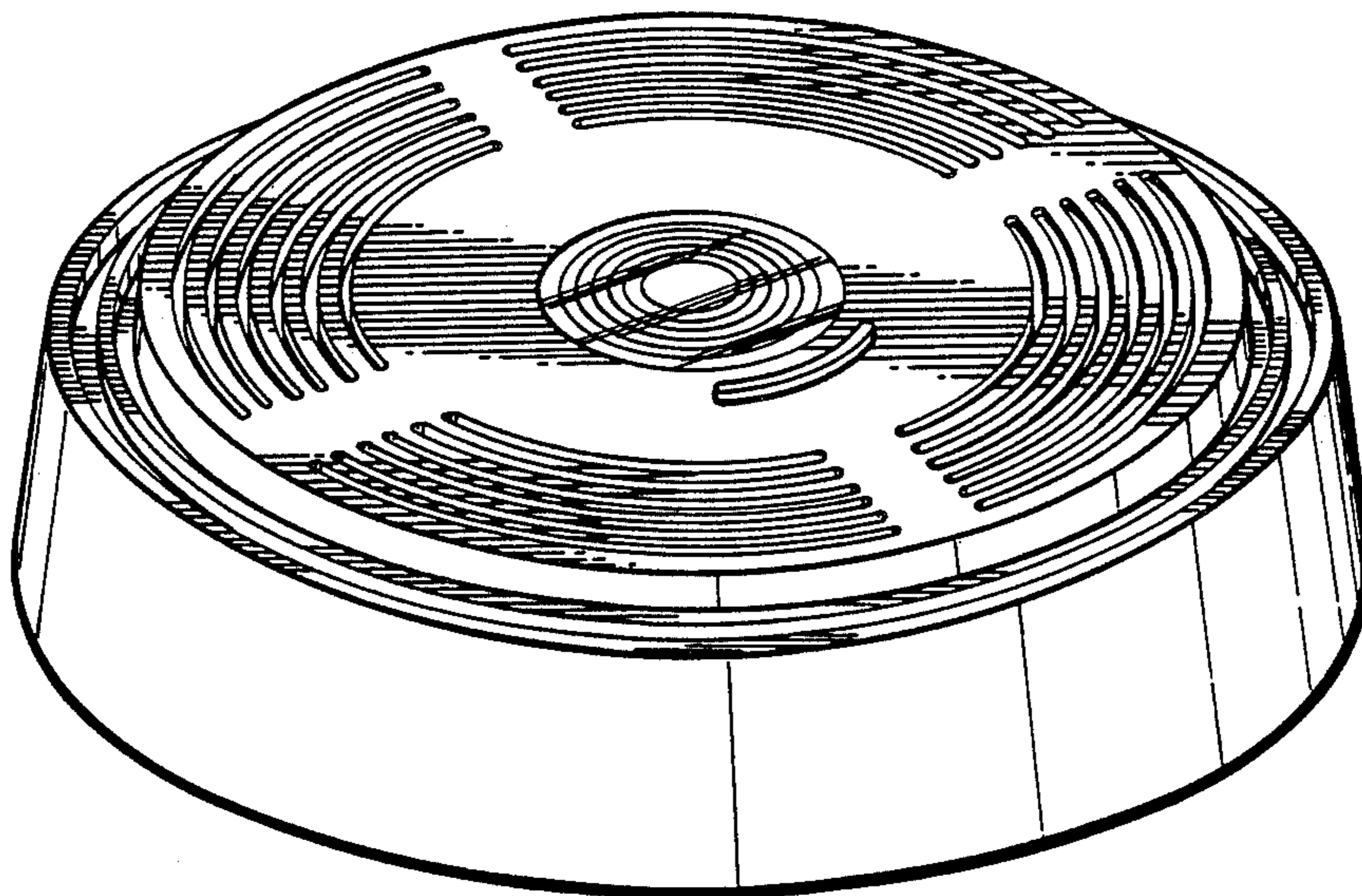
*Primary Examiner*—Wallace R. Burke  
*Assistant Examiner*—Kay H. Chin  
*Attorney, Agent, or Firm*—Sim & McBurney

[57] **CLAIM**

The ornamental design for a smoke detector cover with light, as shown and described.

**DESCRIPTION**

FIG. 1 is a top perspective view of a smoke detector cover with lights showing my new design;  
FIG. 2 is a top plan view thereof;  
FIG. 3 is a side elevational view thereof, the opposite side elevational view being a mirror image of that shown;  
FIG. 4 is a bottom plan view thereof.



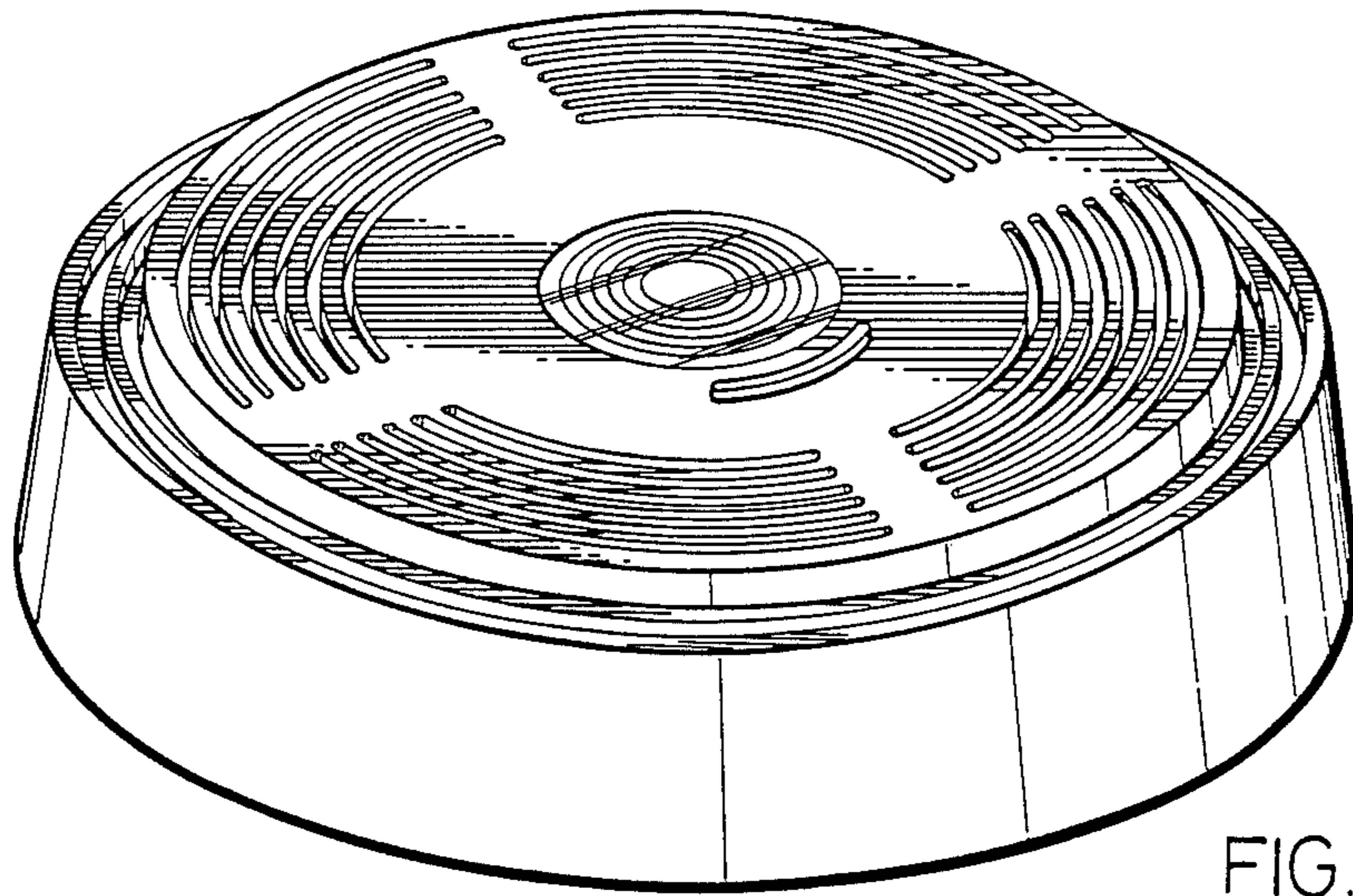


FIG. 1.

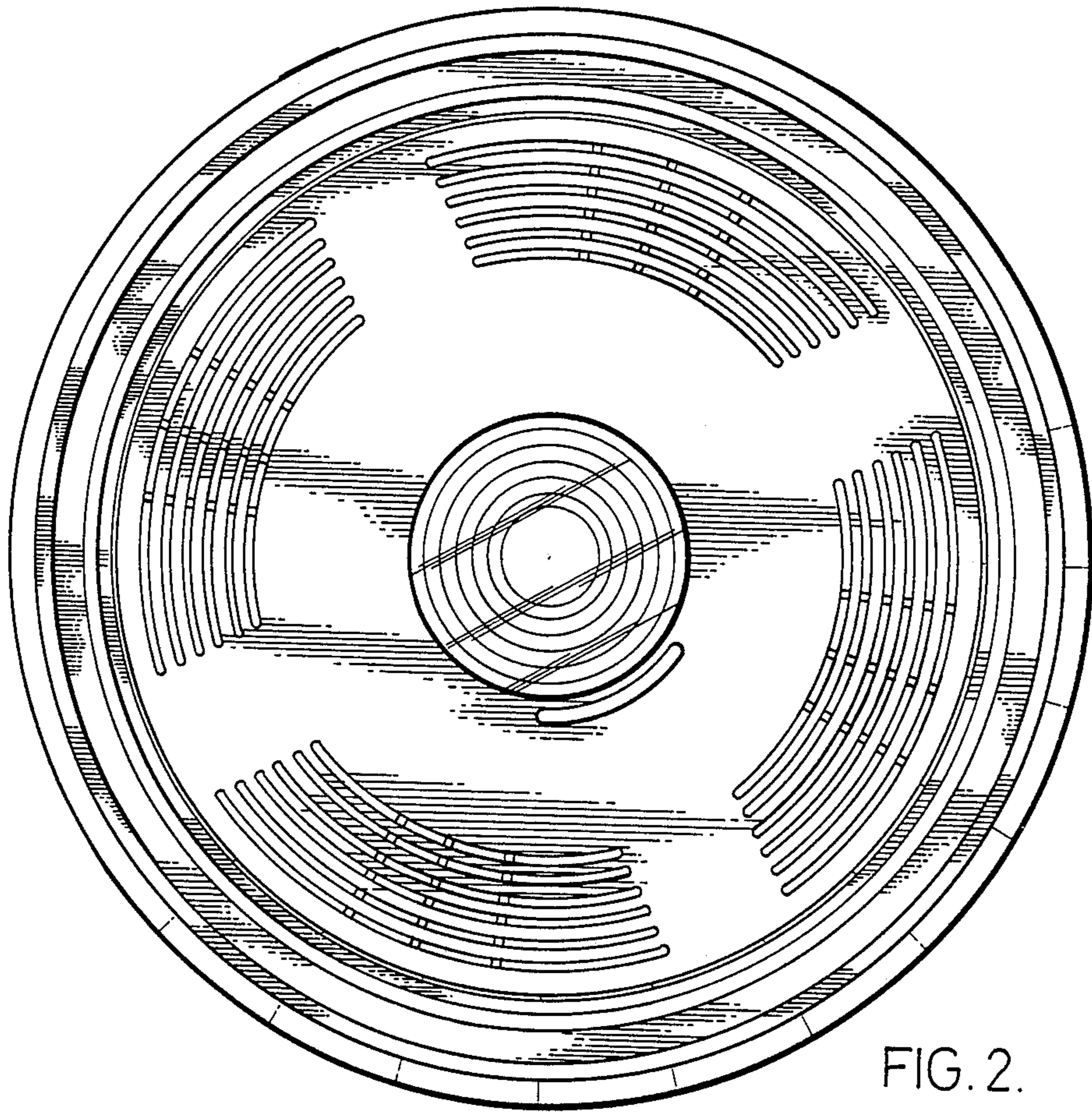


FIG. 2.



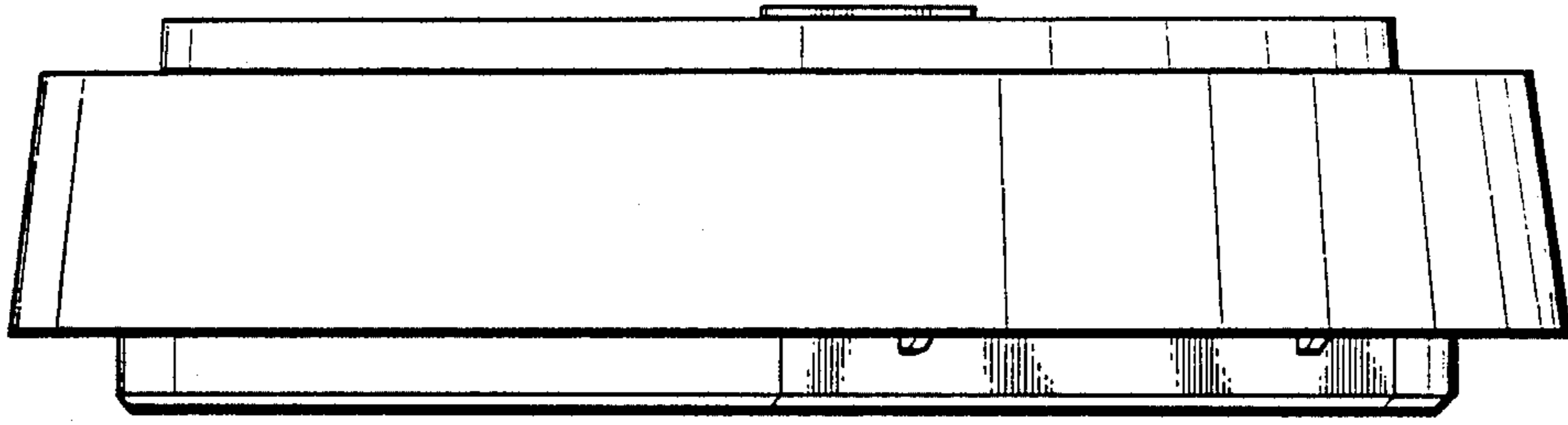


FIG. 3.

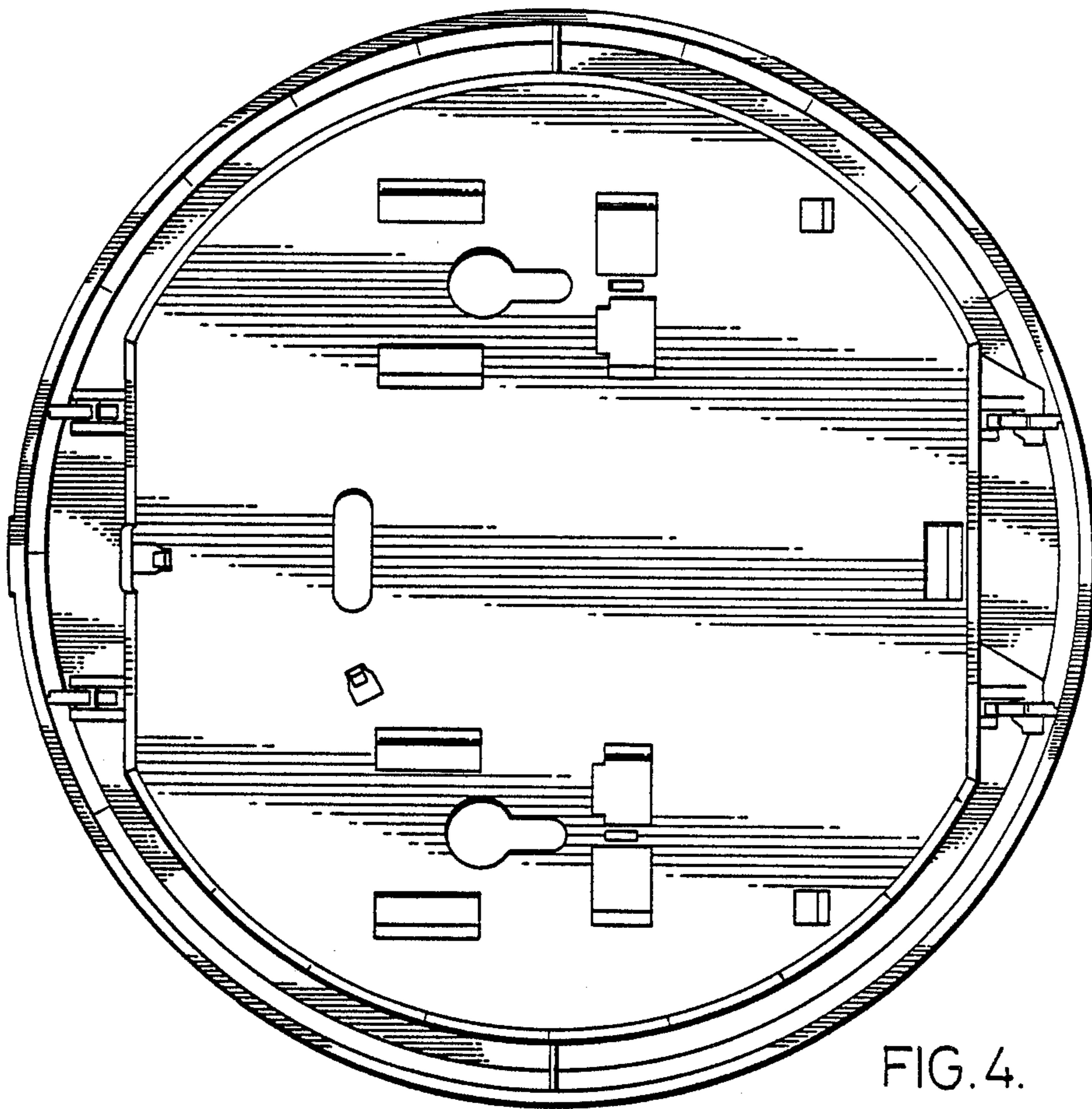


FIG. 4.