

[54] **REAGENT CONTAINER OR SIMILAR ARTICLE**

[75] **Inventor: Leonard J. Stavish, New City, N.Y.**

[73] **Assignee: Fisher Scientific Company, Pittsburgh, Pa.**

[\*\*] **Term: 14 Years**

[21] **Appl. No.: 803,764**

[22] **Filed: Nov. 4, 1985**

[52] **U.S. Cl. .... D9/376**

[58] **Field of Search ..... D9/373, 376, 378; 215/1 R, 1 C**

[56] **References Cited**

**U.S. PATENT DOCUMENTS**

- D. 258,866 4/1981 Houseman ..... D9/376
- D. 271,113 10/1983 Birkeland et al. .... D9/376 X
- D. 272,318 1/1984 Visser ..... D9/376 X

D. 279,549 7/1985 Elmburg ..... D9/376

*Primary Examiner*—Robert C. Spangler  
*Attorney, Agent, or Firm*—Alan M. Doernberg

[57] **CLAIM**

The ornamental design for a reagent container or similar article, as shown and described.

**DESCRIPTION**

FIG. 1 is a perspective view of a reagent container showing my new design;

FIG. 2 is a top plan view thereof;

FIG. 3 is a side elevational view thereof, the opposite side elevation being substantially a mirror image thereof;

FIG. 4 is an end elevational view of the reagent container, taken from the left of FIG. 3;

FIG. 5 is an end elevational view thereof, taken from the right of FIG. 3; and

FIG. 6 is a bottom view thereof.

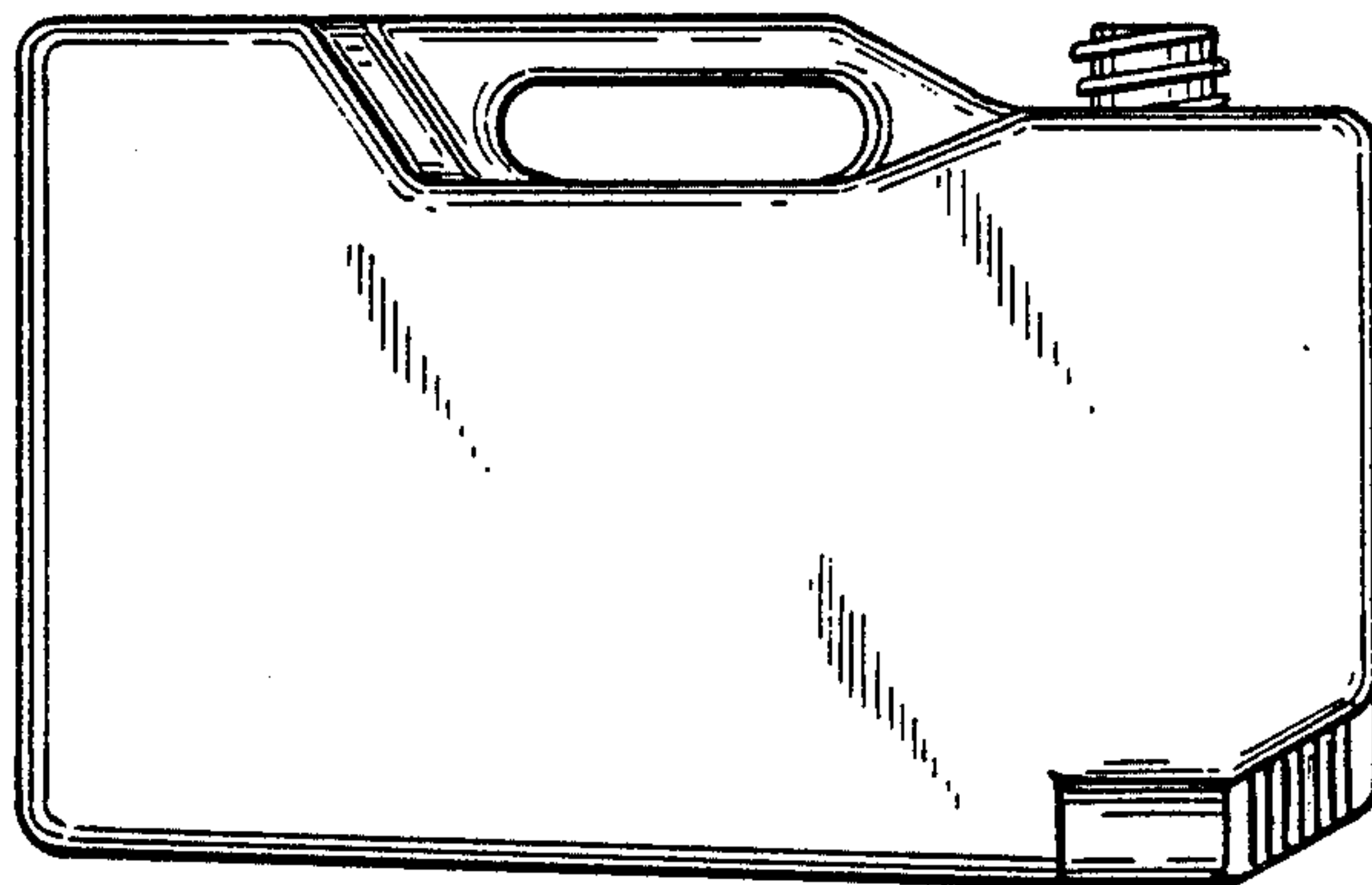


FIG. 1

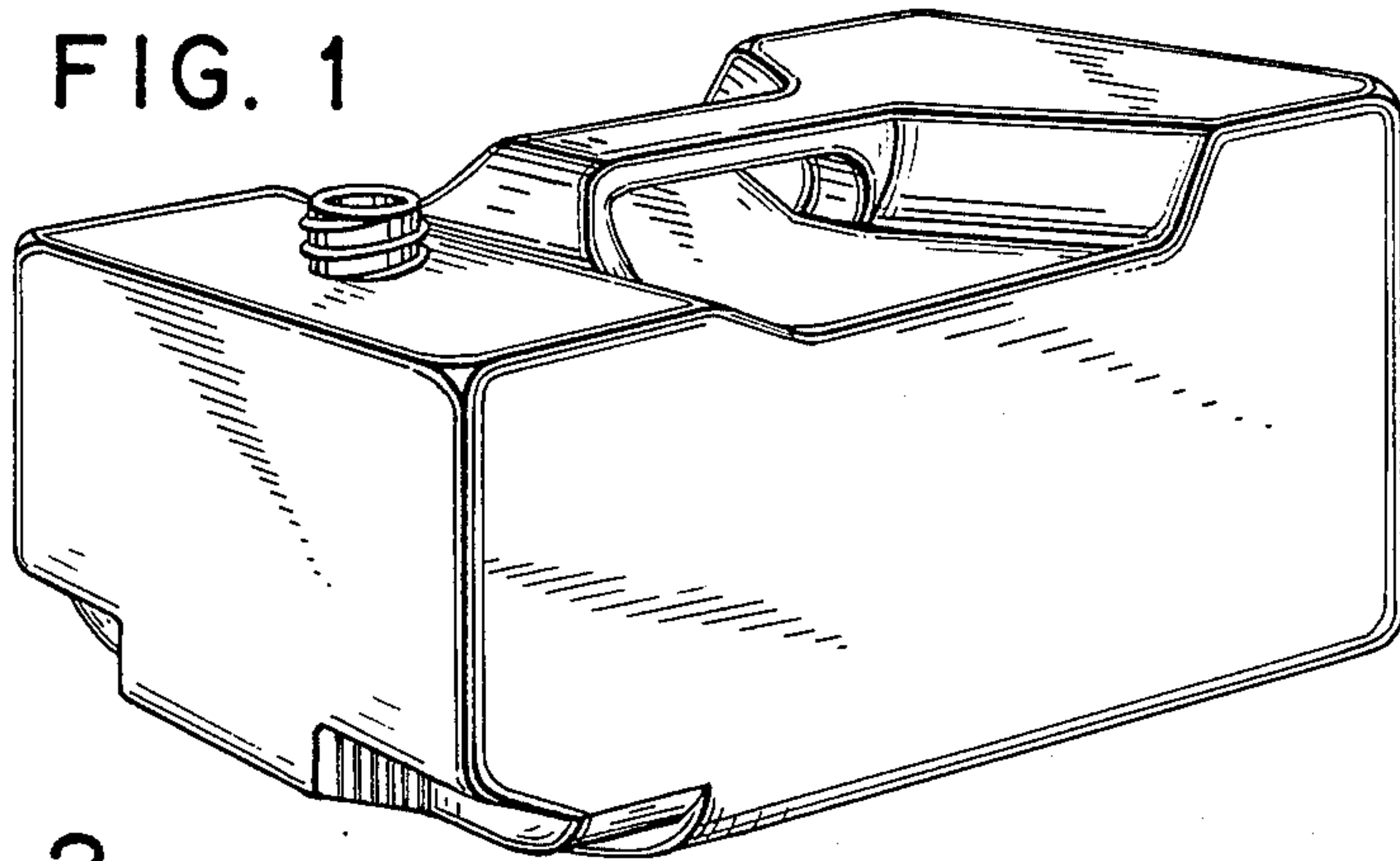


FIG. 2

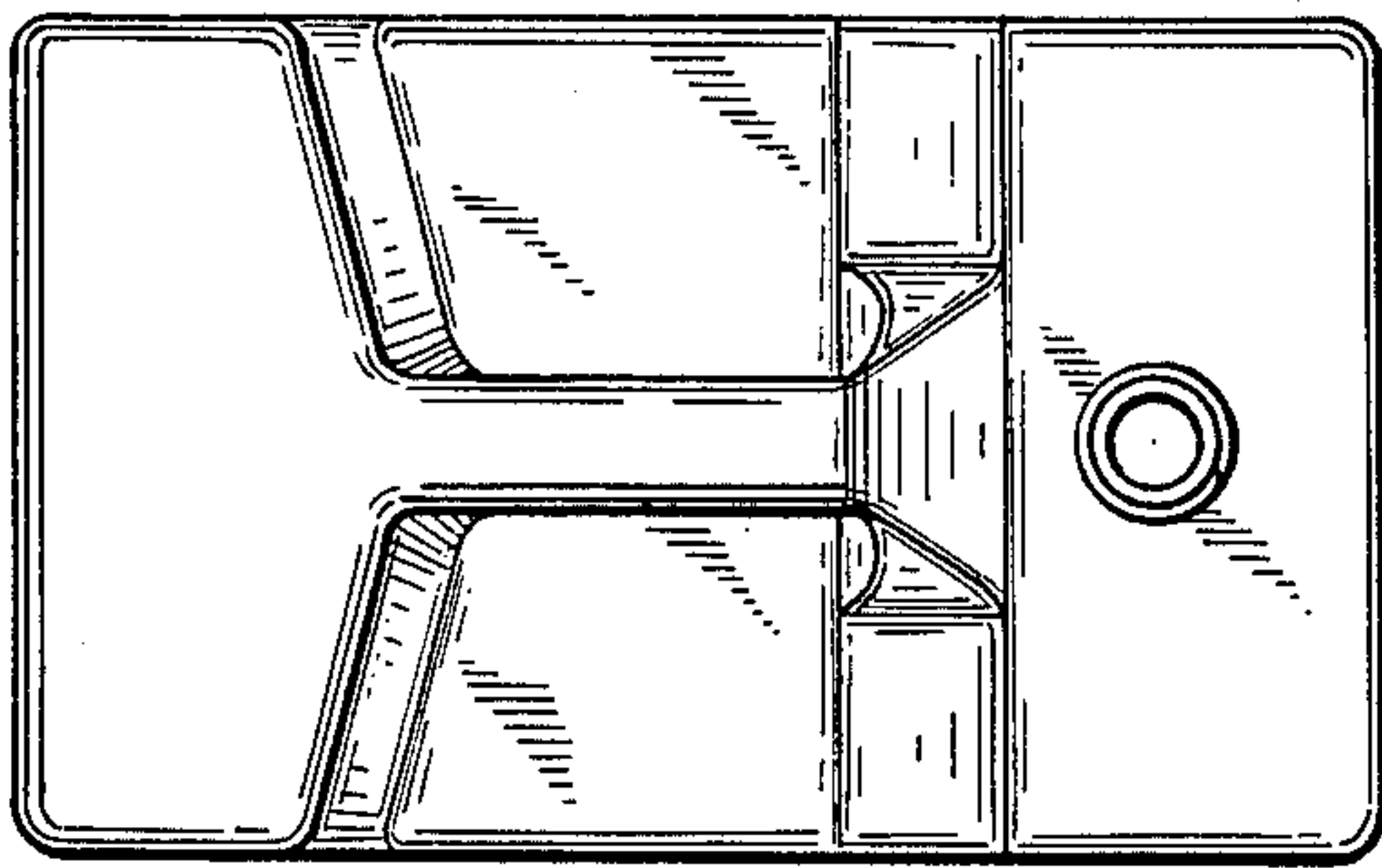


FIG. 3

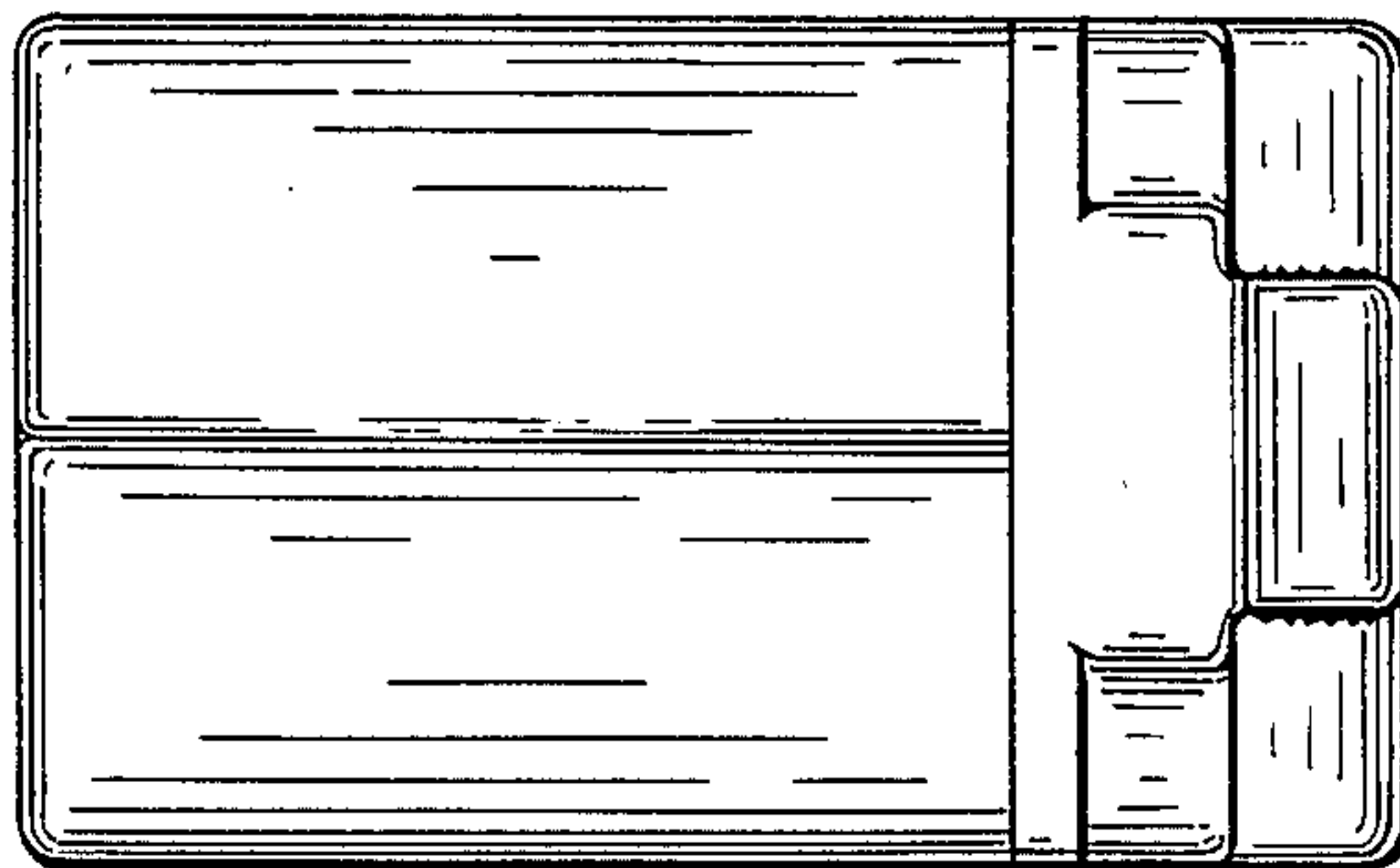
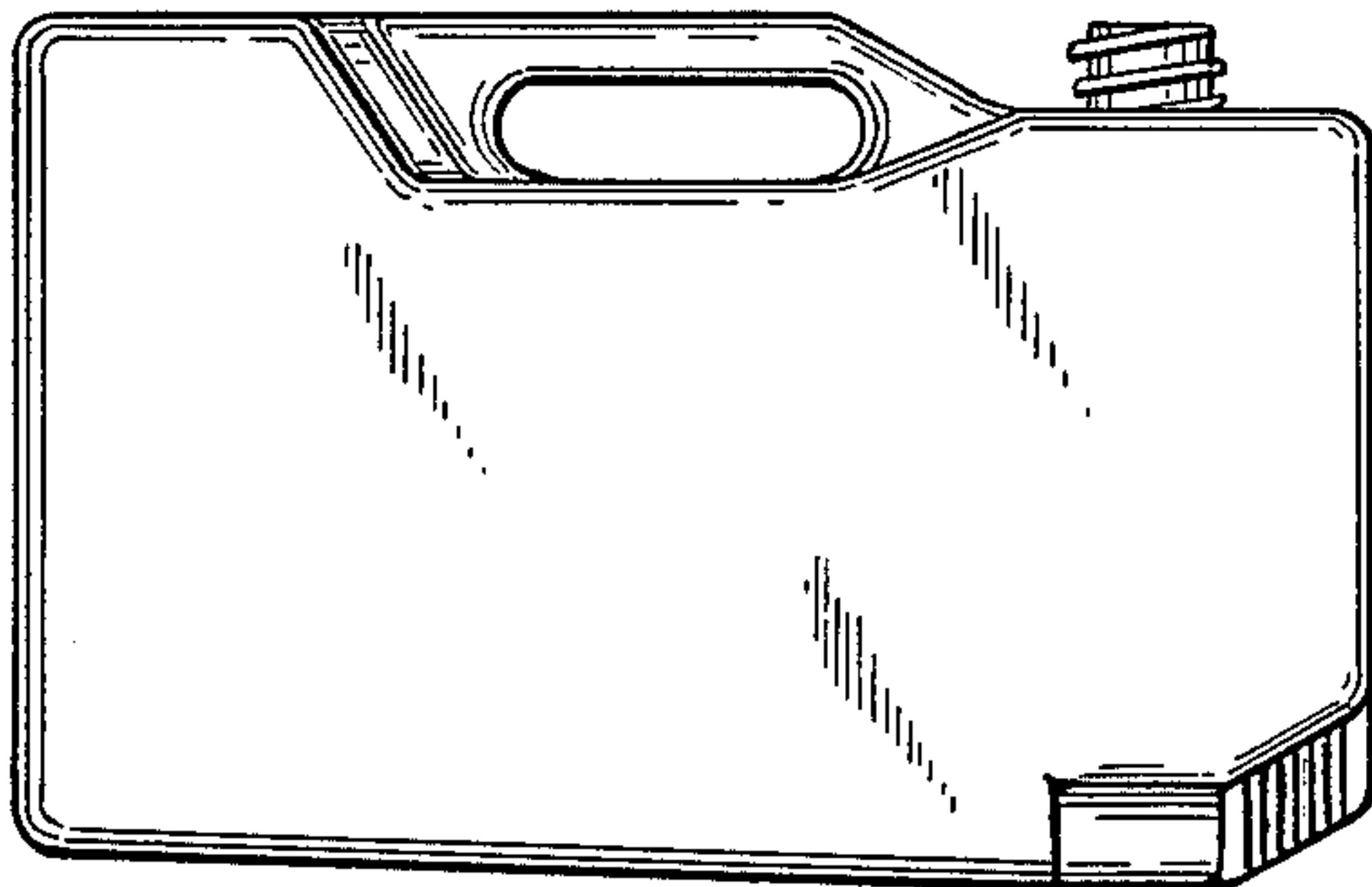


FIG. 4

FIG. 5

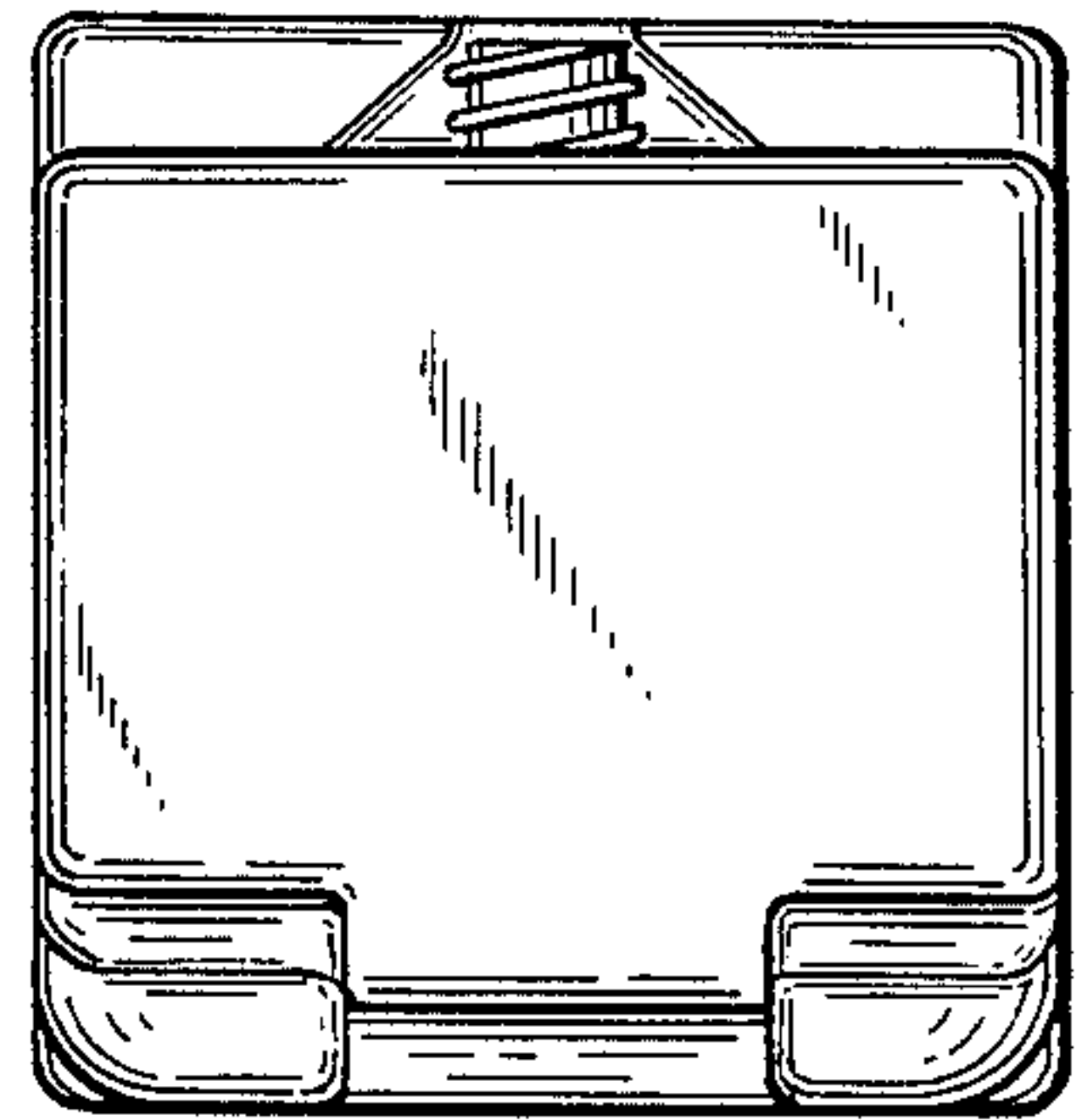


FIG. 6

