

[54] **SCROLLER JIG SAW**
[75] **Inventor: Robert I. Somers, Raleigh, N.C.**
[73] **Assignee: Black & Decker, Inc., Newark, Del.**
[**] **Term: 14 Years**
[21] **Appl. No.: 763,906**
[22] **Filed: Aug. 8, 1985**
[52] **U.S. Cl. D8/64**
[58] **Field of Search D8/61, 64; 30/272 A,
30/273, 392-394, DIG. 1**

Sears Catalogue of Power and Hand Tools, 1979-80, p. 67, #2 "½HP Saw."

Primary Examiner—Wallace R. Burke
Assistant Examiner—Brian N. Vinson
Attorney, Agent, or Firm—Dennis A. Dearing; Edward D. Murphy

[57] **CLAIM**

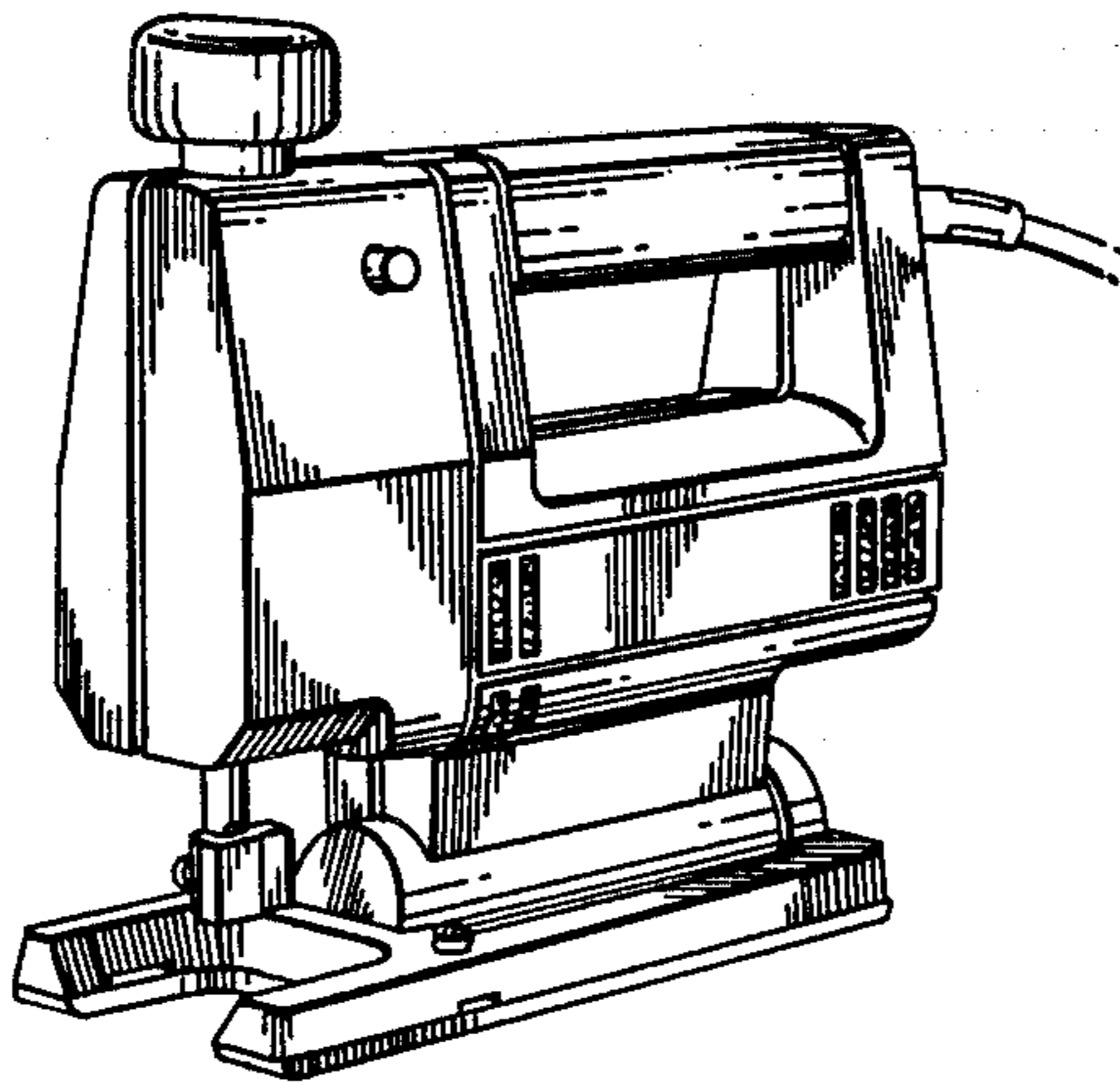
The ornamental design for a scroller jig saw, as shown and described.

DESCRIPTION

FIG. 1 is a front and right side perspective view of a scroller jig saw showing my new design;
FIG. 2 is a right side perspective view thereof;
FIG. 3 is a left side perspective view thereof;
FIG. 4 is a front perspective view thereof;
FIG. 5 is a top perspective view thereof;
FIG. 6 is a bottom perspective view thereof; and
FIG. 7 is a rear perspective view thereof.
The power cord is shown broken-away in the views to indicate indeterminate length.

[56] **References Cited**
U.S. PATENT DOCUMENTS
D. 282,625 2/1986 Schultz et al. D8/64
D. 287,930 1/1987 Somers D8/64
4,693,009 9/1987 Bone 30/392

OTHER PUBLICATIONS
AEG Heavy-duty Power Tools Catalogue, 1977, p. 6,
#STSZ 350 "Two-Speed Jig Saw".



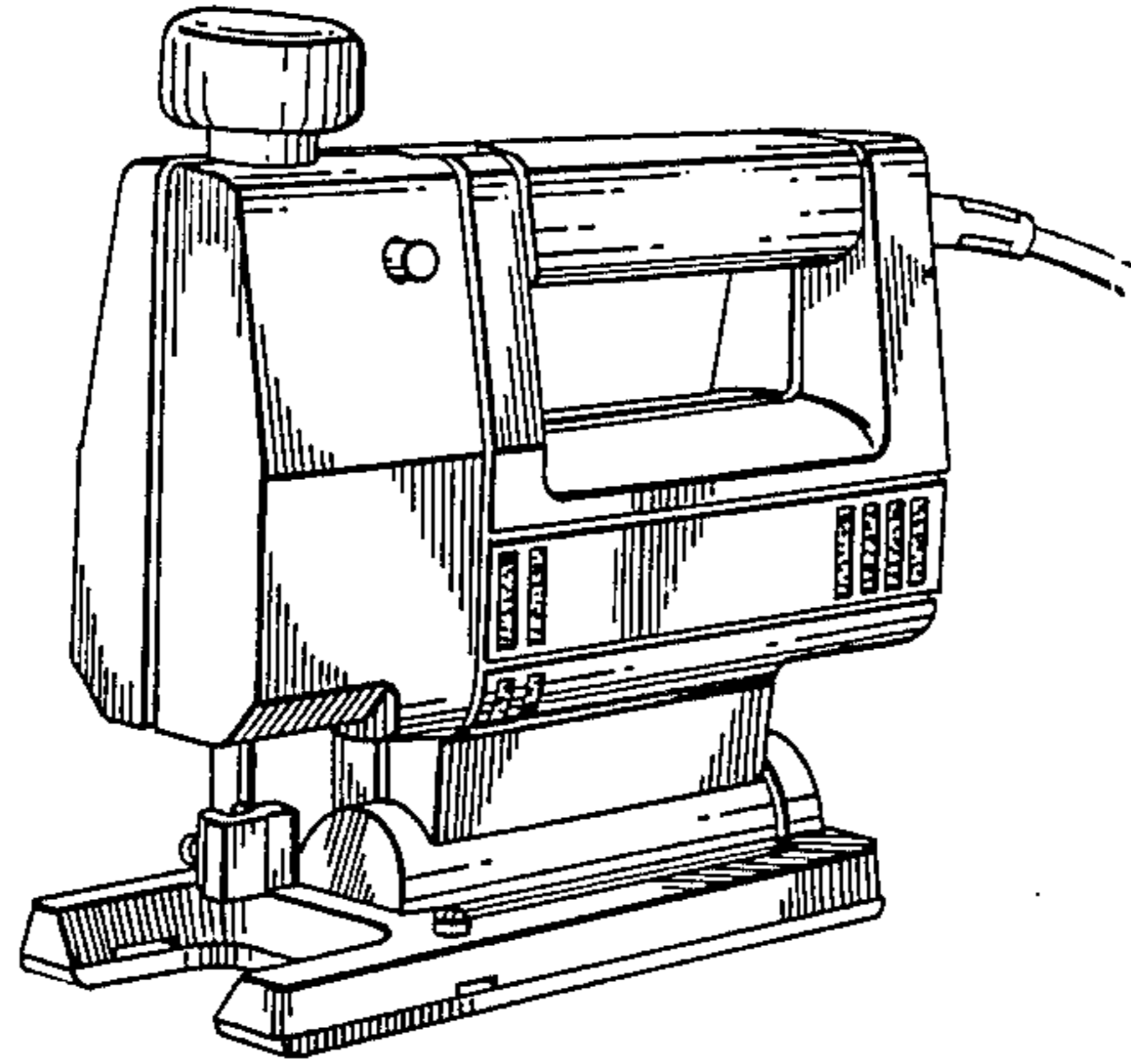


Fig. 1

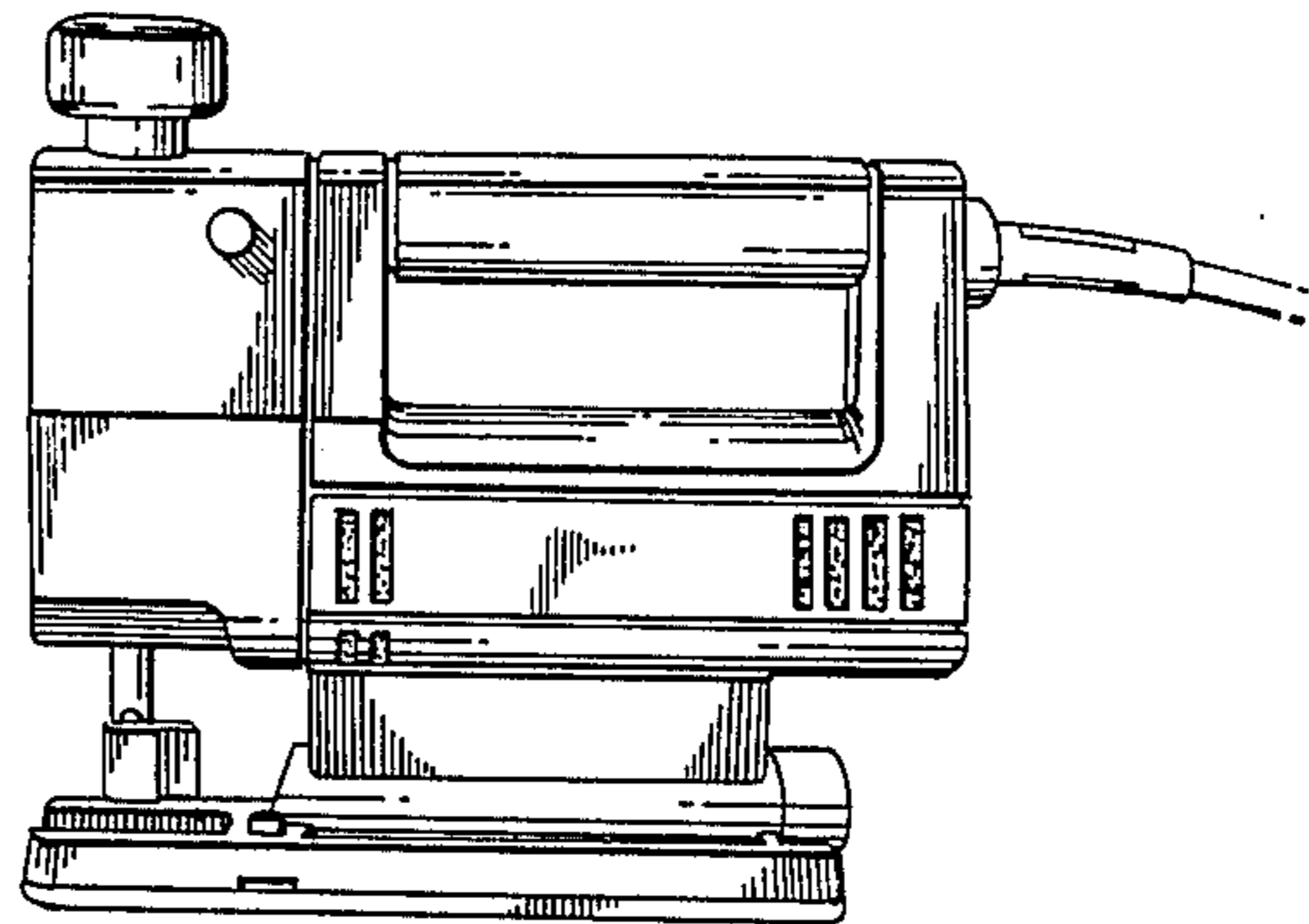


Fig. 2

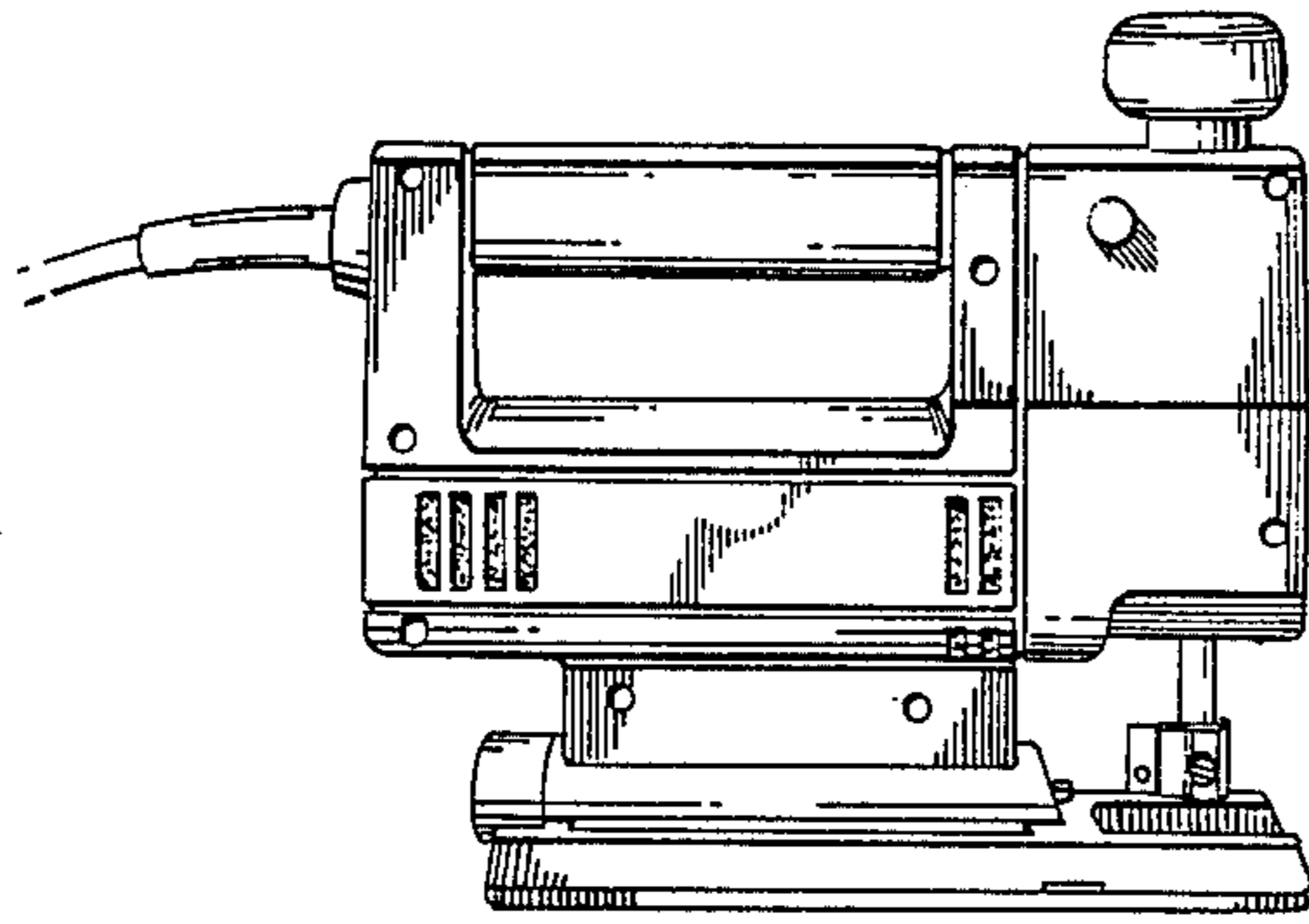


Fig. 3

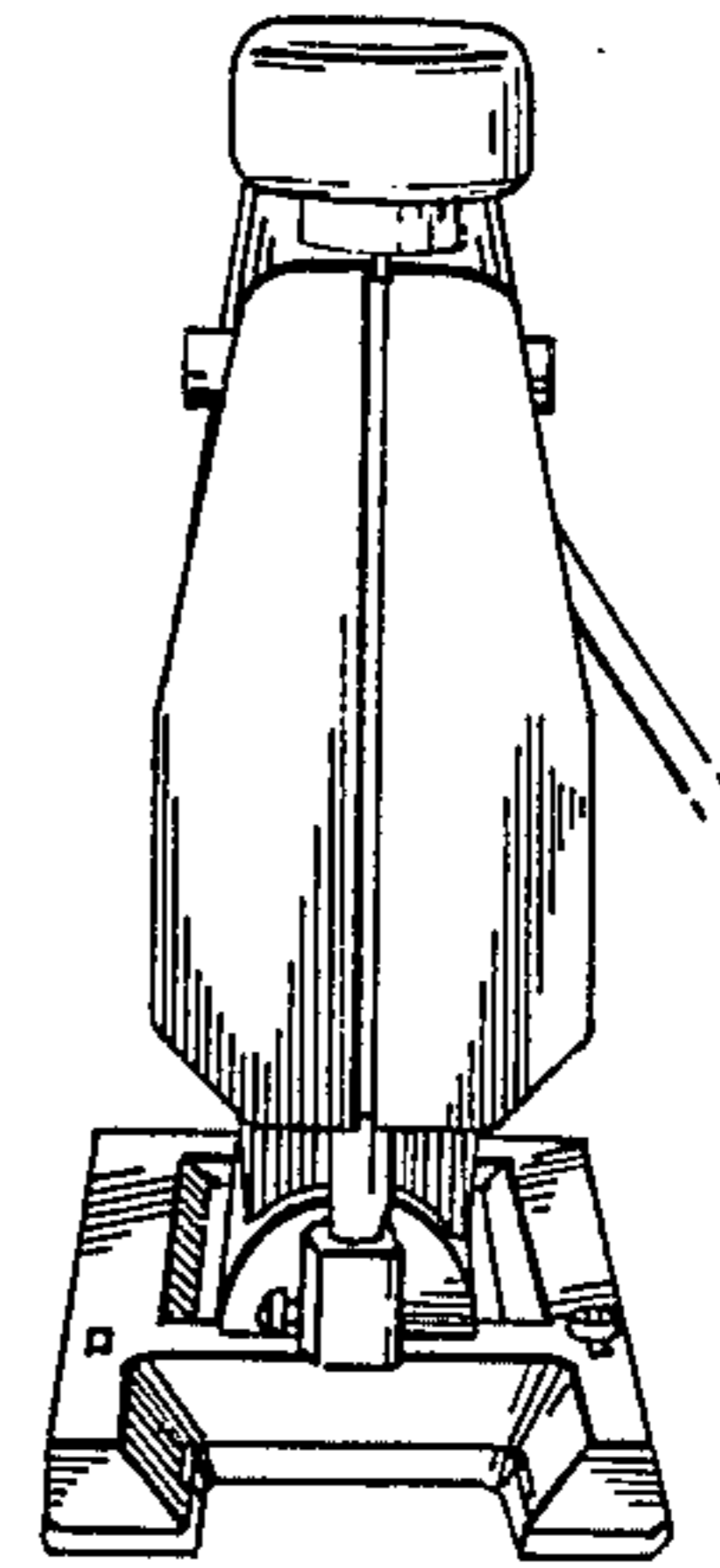


Fig. 4

Fig. 5

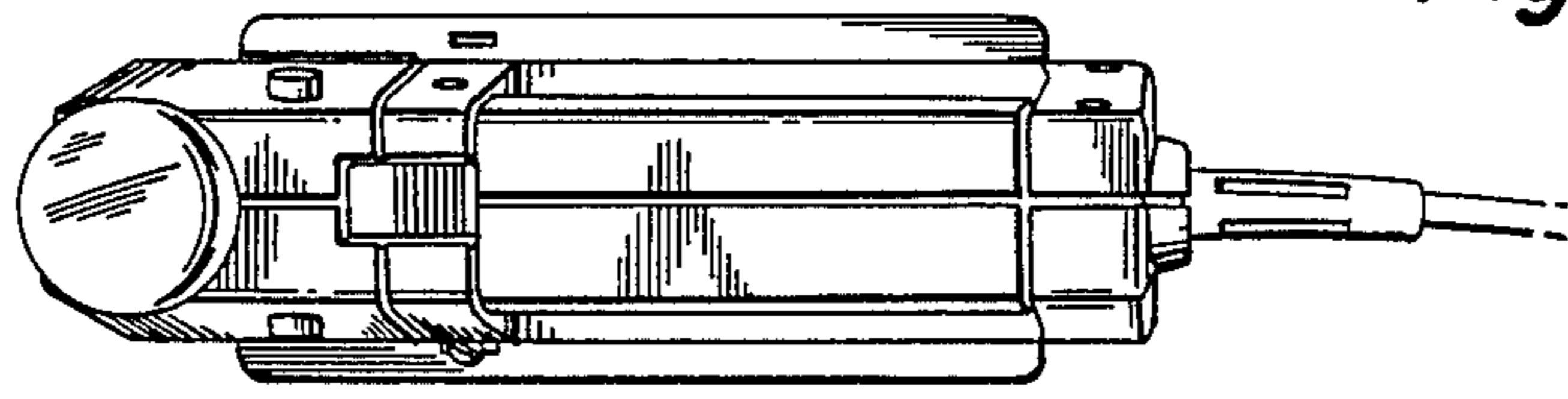


Fig. 6

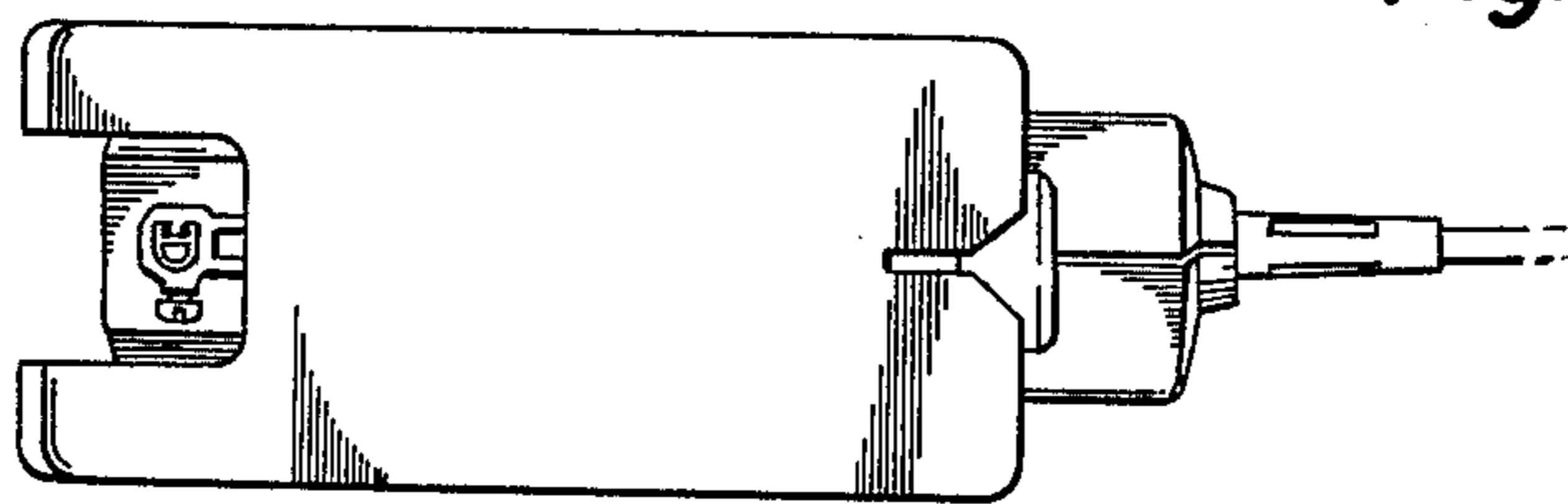


Fig. 7

