

[54] **SCISSORS**

[76] **Inventor: Toru Hayashi, 21 Tsujiido-cho,
Seki-shi, Gifu-ken, Japan**

[**] **Term: 14 Years**

[21] **Appl. No.: 791,244**

[22] **Filed: Oct. 25, 1985**

[30] **Foreign Application Priority Data**

Jul. 22, 1985 [JP] Japan 60-31362

[52] **U.S. Cl. D8/57**

[58] **Field of Search D8/57, 3-5,
D8/56; 30/131, 134-135, 145-146, 194, 254,
261, 267; 7/135, 131**

[56] **References Cited**

U.S. PATENT DOCUMENTS

D. 159,305 7/1950 Tuttle et al. D8/57

FOREIGN PATENT DOCUMENTS

648190 4/1985 Japan .

Primary Examiner—Bernard Ansher
Assistant Examiner—Terry Pfeffer
Attorney, Agent, or Firm—Jordan and Hamburg

[57] **CLAIM**

The ornamental design for scissors, as shown and described.

DESCRIPTION

FIG. 1 is a front elevational view of scissors showing my new design;

FIG. 2 is a rear elevational view thereof;

FIG. 3 is a top plan view thereof.

FIG. 4 is a bottom plan view thereof.

FIG. 5 is a left side elevational view thereof;

FIG. 6 is a right side elevational view thereof;

FIG. 7 is a sectional view taken along the line VII—VII of FIG. 1 thereof.

FIG. 8 is a view showing opening condition in a front view thereof.

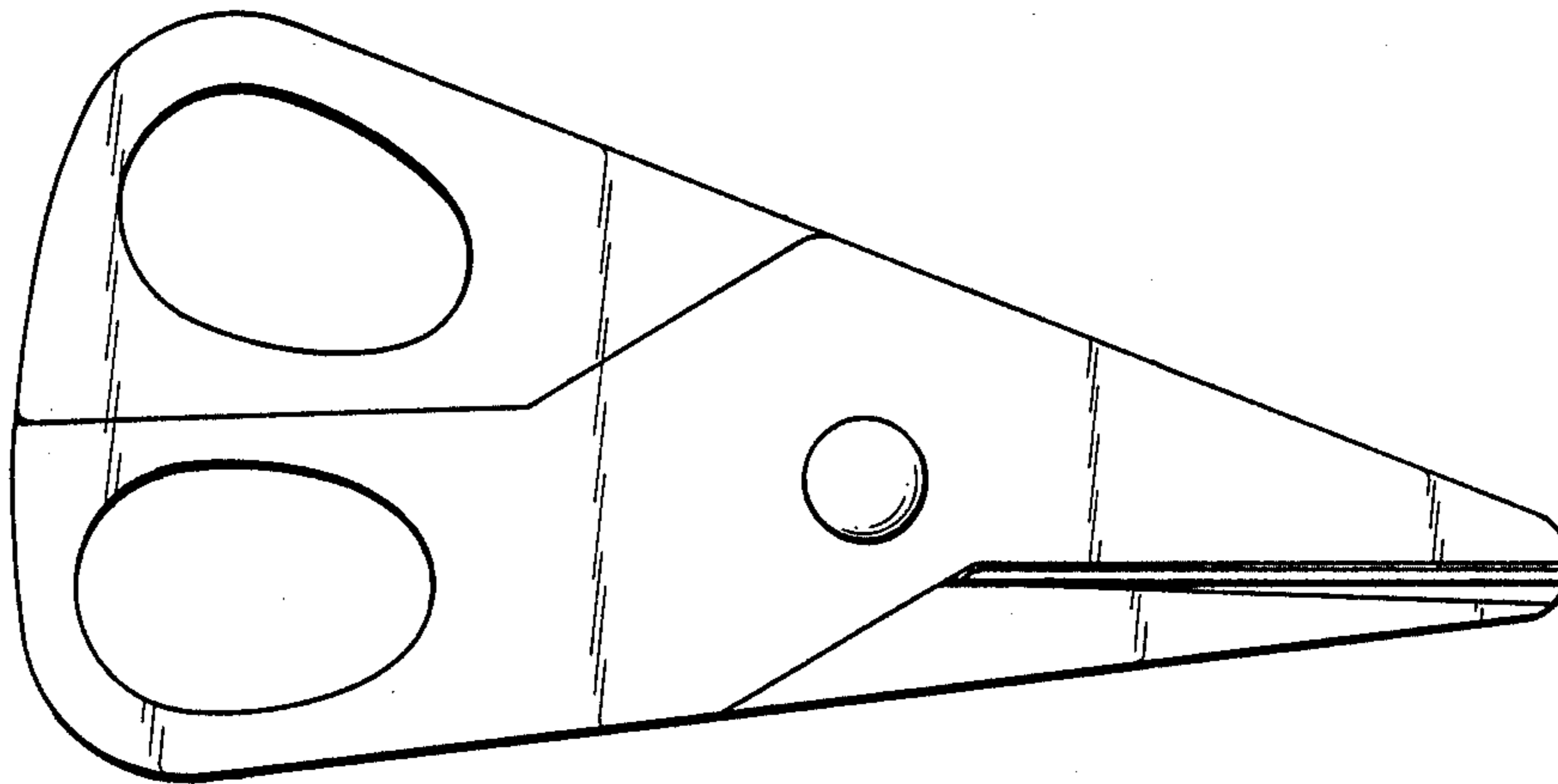


FIG. 1

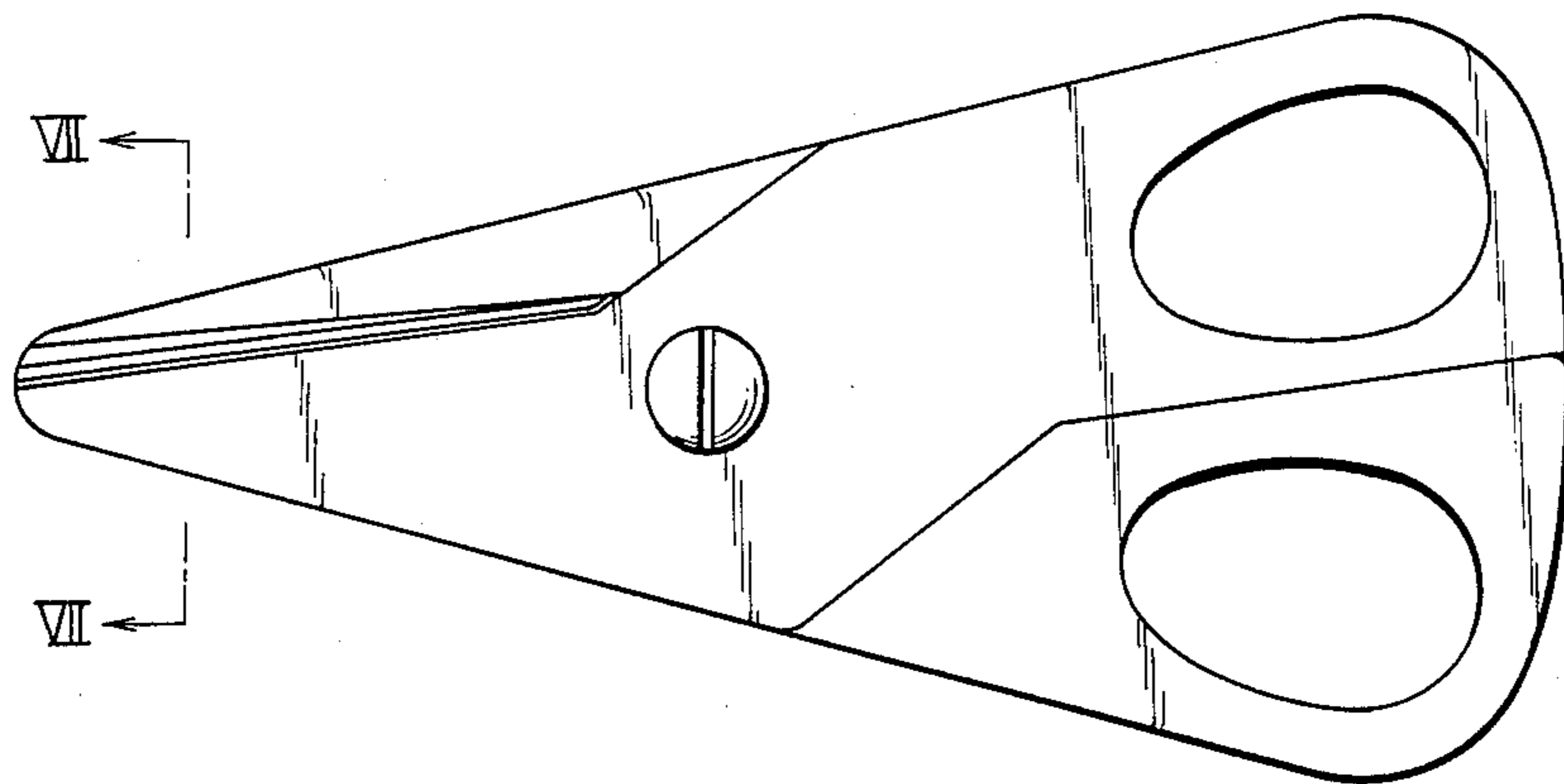


FIG. 2

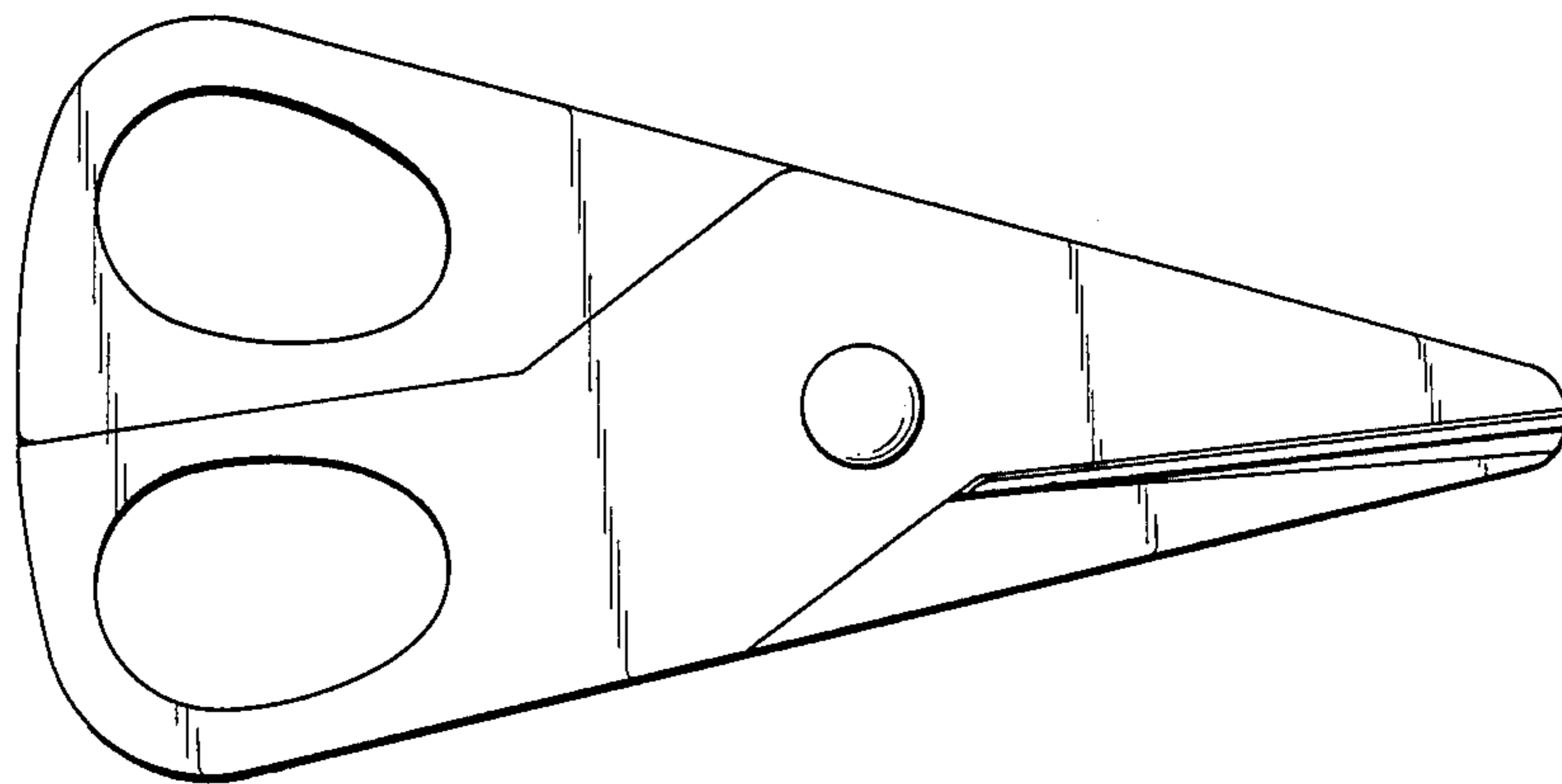


FIG. 3

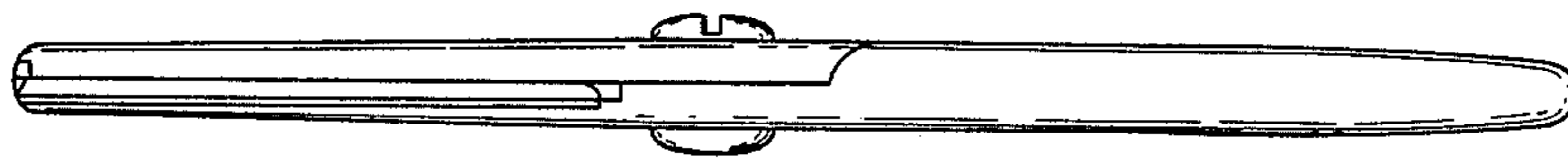


FIG. 4

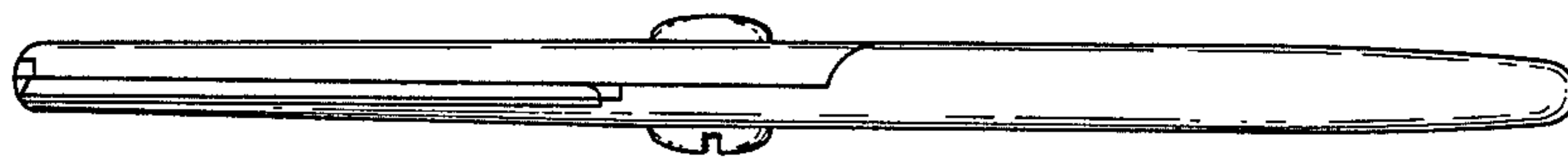


FIG. 5

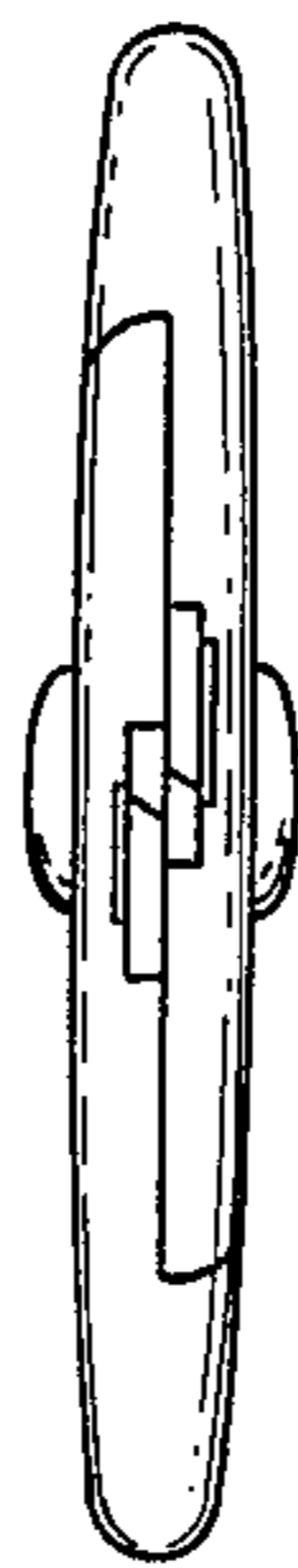


FIG. 6



FIG. 7



FIG. 8

