

[54] STAPLING GUN

[76] Inventor: Sheng Wang, No. 2-3, Lane 350, Chung Ho Road, Chung Ho City, Taipei Hsien, Taiwan

[**] Term: 14 Years

[21] Appl. No.: 778,218

[22] Filed: Sep. 20, 1985

[52] U.S. Cl. D8/49

[58] Field of Search D8/49, 69; 227/127, 227/128, 132; D24/23, 26

[56] References Cited

U.S. PATENT DOCUMENTS

- D. 287,094 12/1986 Jacoff D8/49
- 2,456,526 12/1948 Morberg 227/132

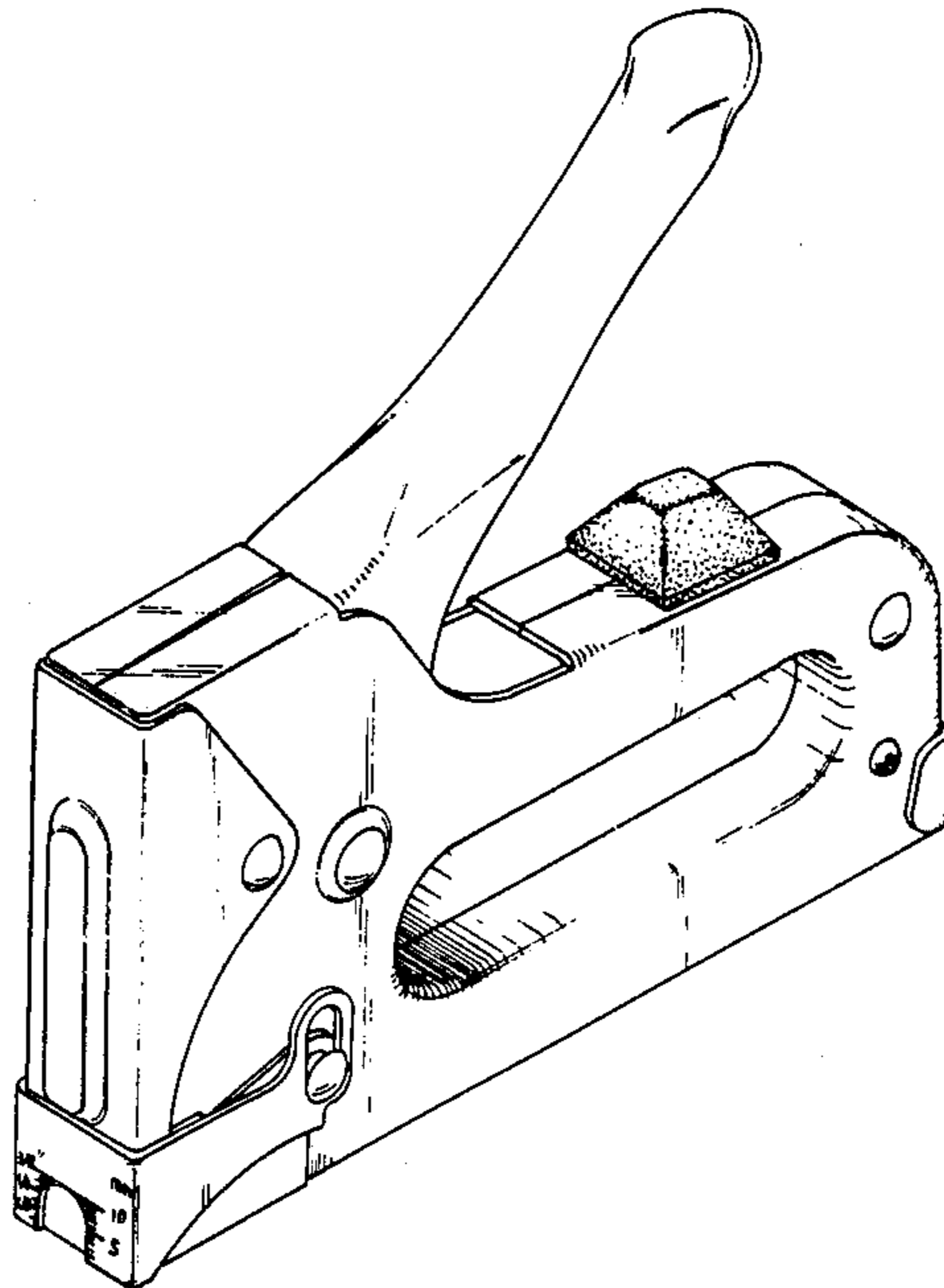
Primary Examiner—Bernard Ansher
Assistant Examiner—Terry Pfeffer
Attorney, Agent, or Firm—Lowe, Price, LeBlanc, Becker & Shur

[57] CLAIM

The ornamental design for a stapling gun, as shown and described.

DESCRIPTION

- FIG. 1 is a perspective view of a stapling gun showing my new design;
- FIG. 2 is a top plan view thereof;
- FIG. 3 is a bottom plan view thereof.
- FIG. 4 is a left side elevational view thereof;
- FIG. 5 is a right side elevational view thereof;
- FIG. 6 is a front elevational view thereof;
- FIG. 7 is a rear elevational view thereof.



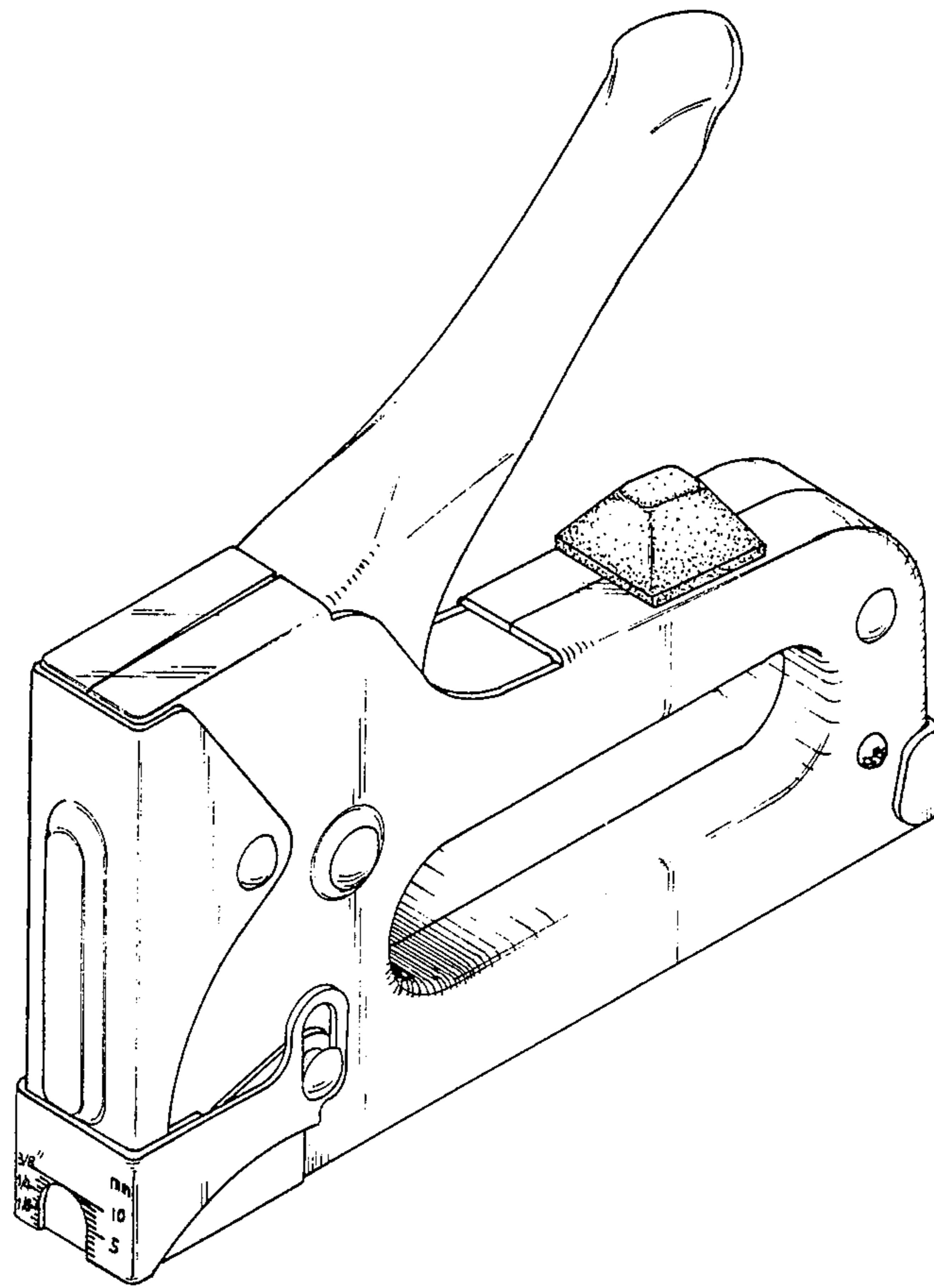


FIG. 1

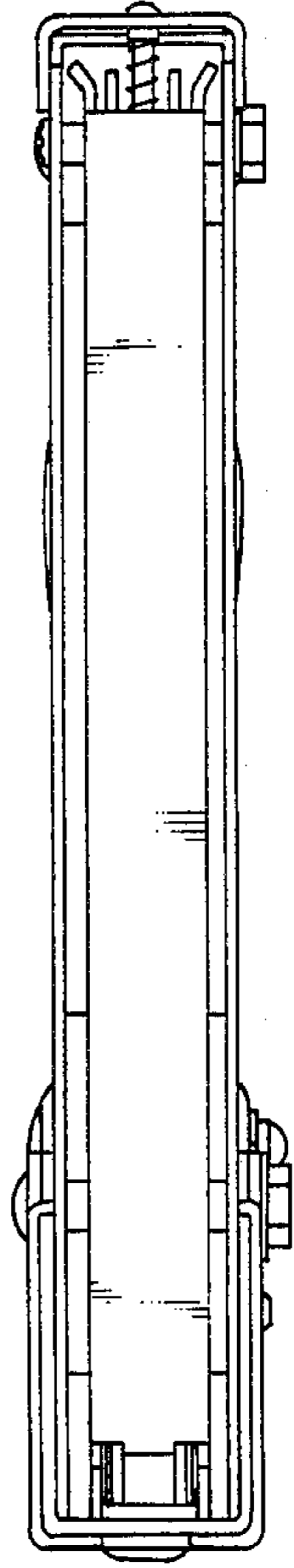


FIG. 3

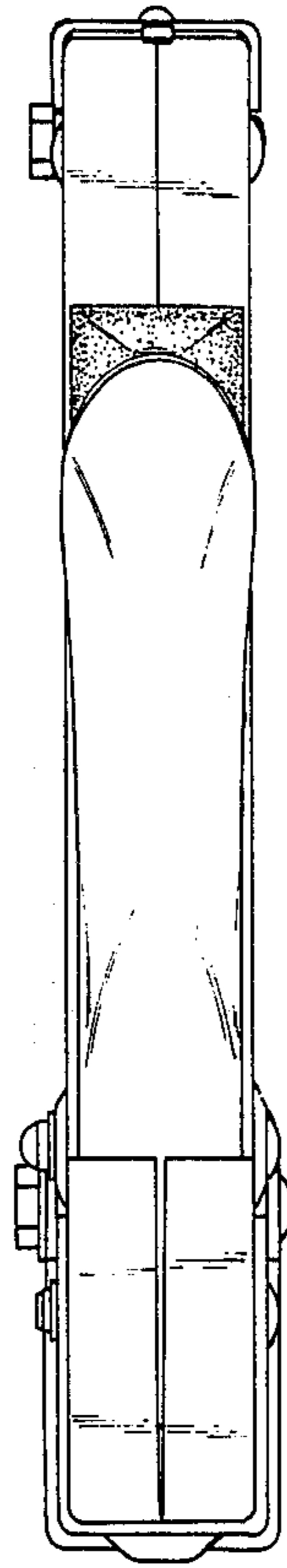


FIG. 2

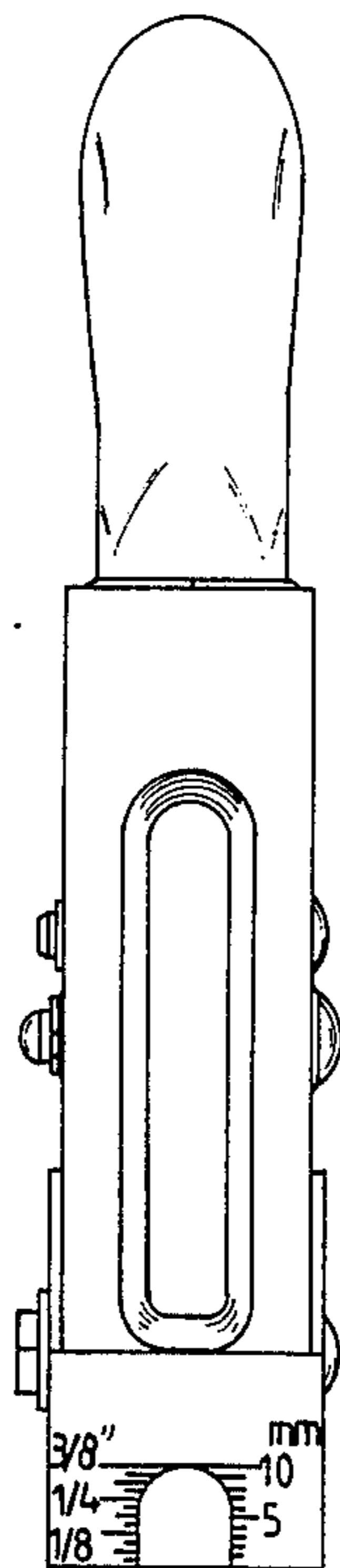


FIG. 4

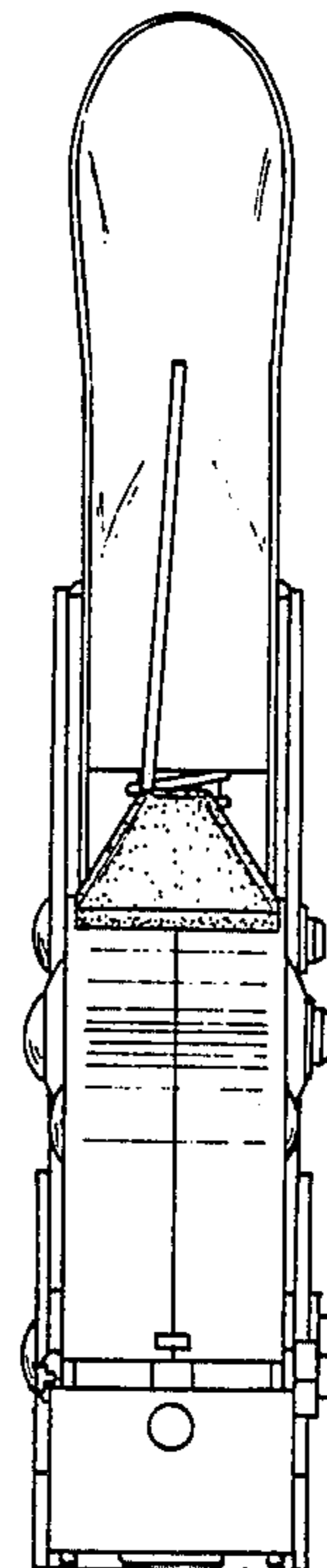


FIG. 5

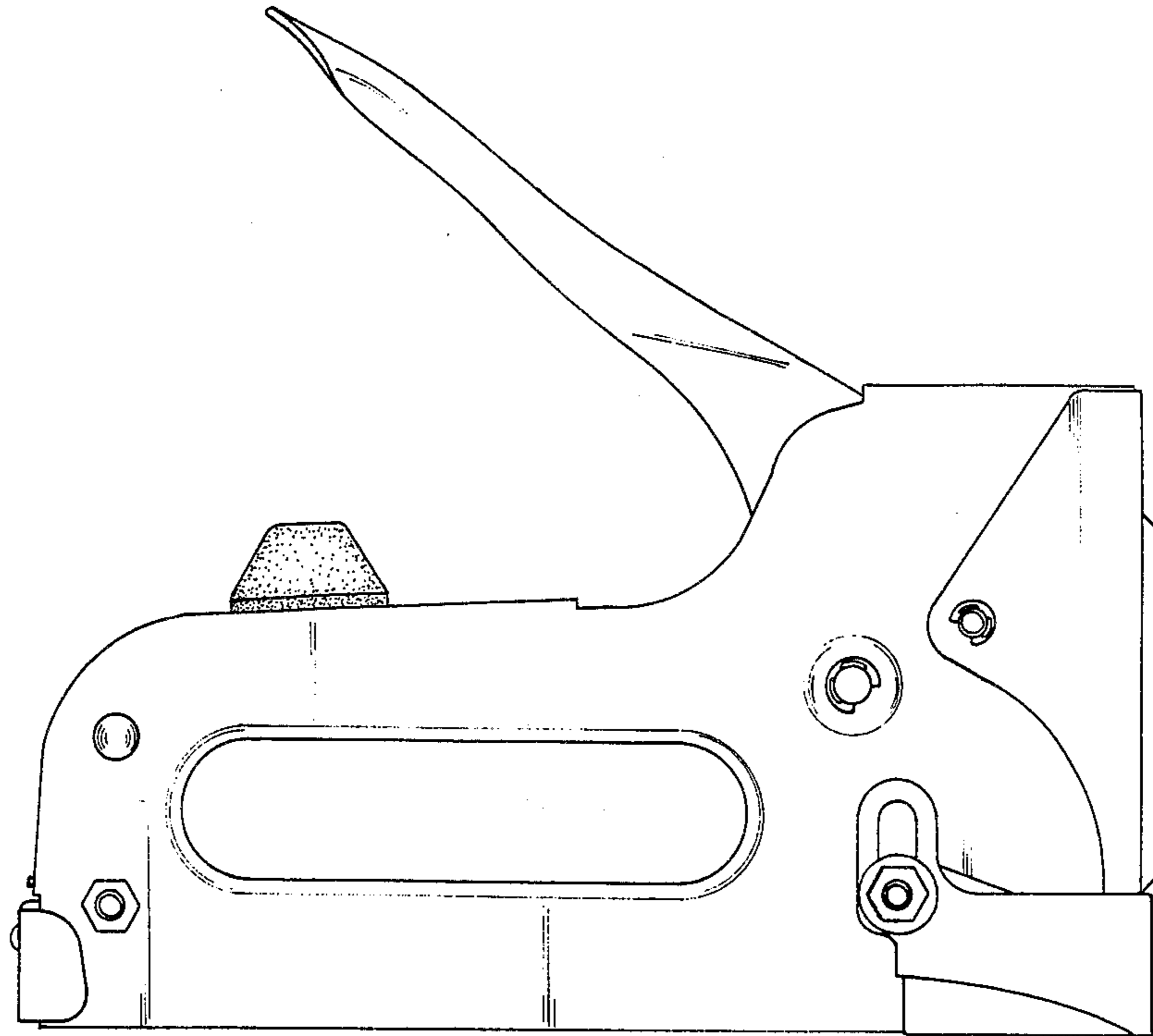


FIG. 6

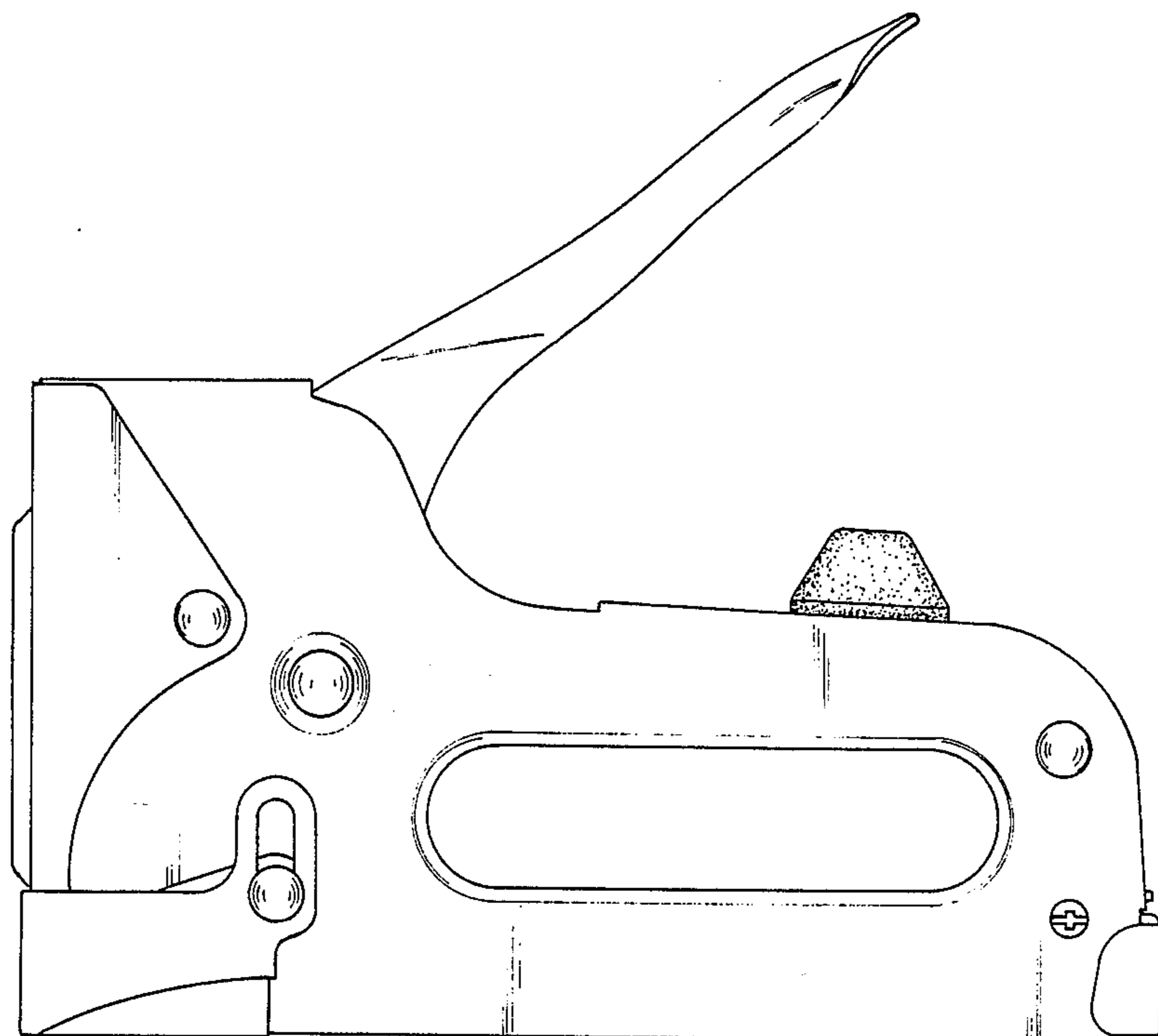


FIG. 7