

**United States Patent** [19]  
**Allen**

[11] **Patent Number: Des. 297,201**  
[45] **Date of Patent: \*\* Aug. 16, 1988**

[54] **FOIL CUTTER FOR WINE BOTTLES**  
[75] **Inventor: Herbert Allen, Houston, Tex.**  
[73] **Assignee: Hallen Company, Houston, Tex.**  
[\*\*] **Term: 14 Years**  
[21] **Appl. No.: 790,262**  
[22] **Filed: Oct. 22, 1985**  
[52] **U.S. Cl. .... D7/99; D8/18**  
[58] **Field of Search ..... D7/99; D8/40-42,  
D8/18; 81/3.4, 3.44**

D. 289,361 4/1987 Powis, Jr. .... D8/18  
4,509,784 4/1985 Vollers ..... D8/40 X

*Primary Examiner*—Bernard Ansher  
*Assistant Examiner*—Terry Pfeffer  
*Attorney, Agent, or Firm*—Browning, Bushman,  
Zamecki & Anderson

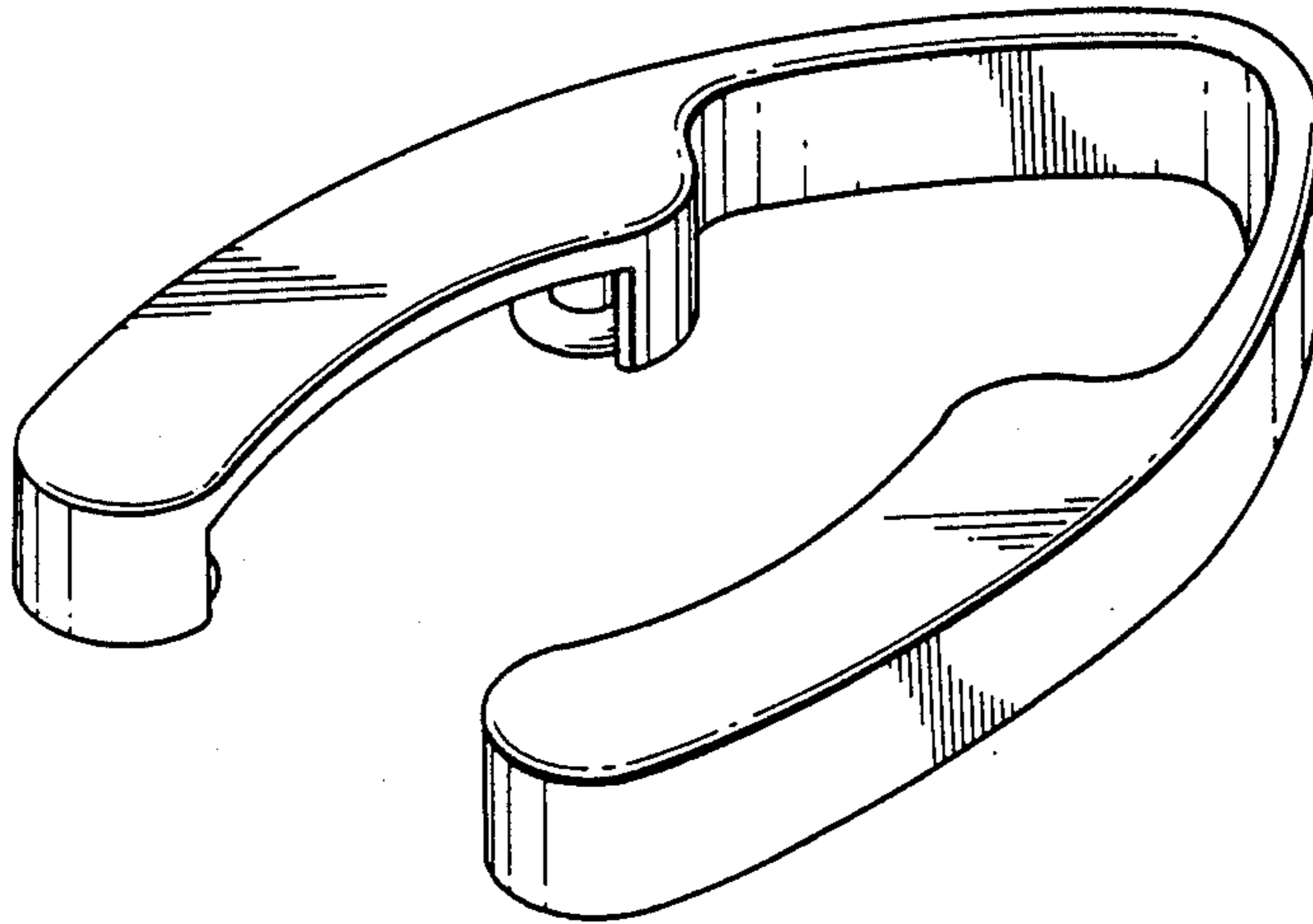
[57] **CLAIM**

The ornamental design for a foil cutter for champagne bottles, as shown and described.

**DESCRIPTION**

FIG. 1 is a top, front, right side perspective view of a foil cutter for champagne bottles; and  
FIG. 2 is a bottom, rear, left side perspective view thereof.

[56] **References Cited**  
**U.S. PATENT DOCUMENTS**  
D. 142,202 8/1945 Lanyon ..... D8/18



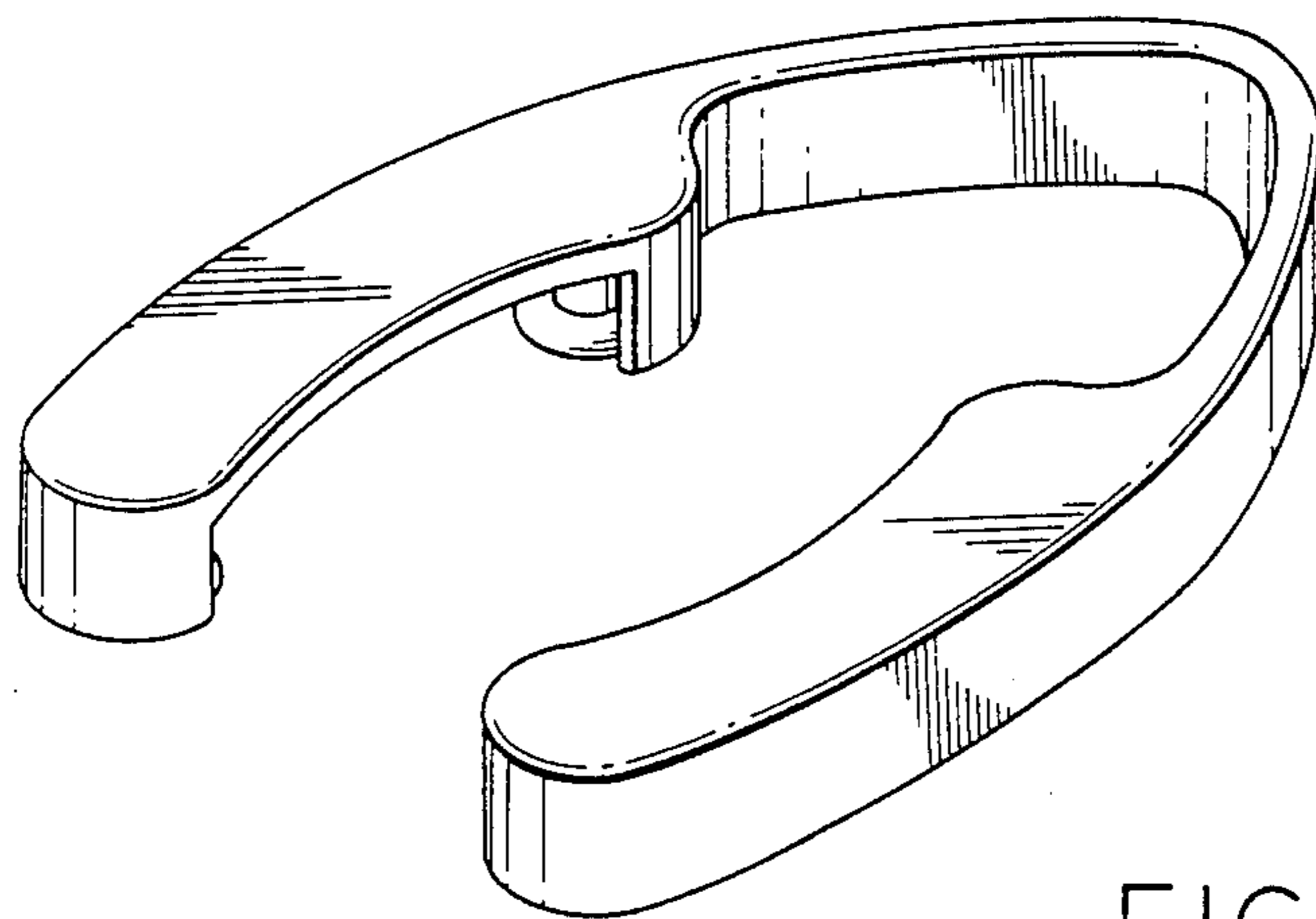


FIG. 1

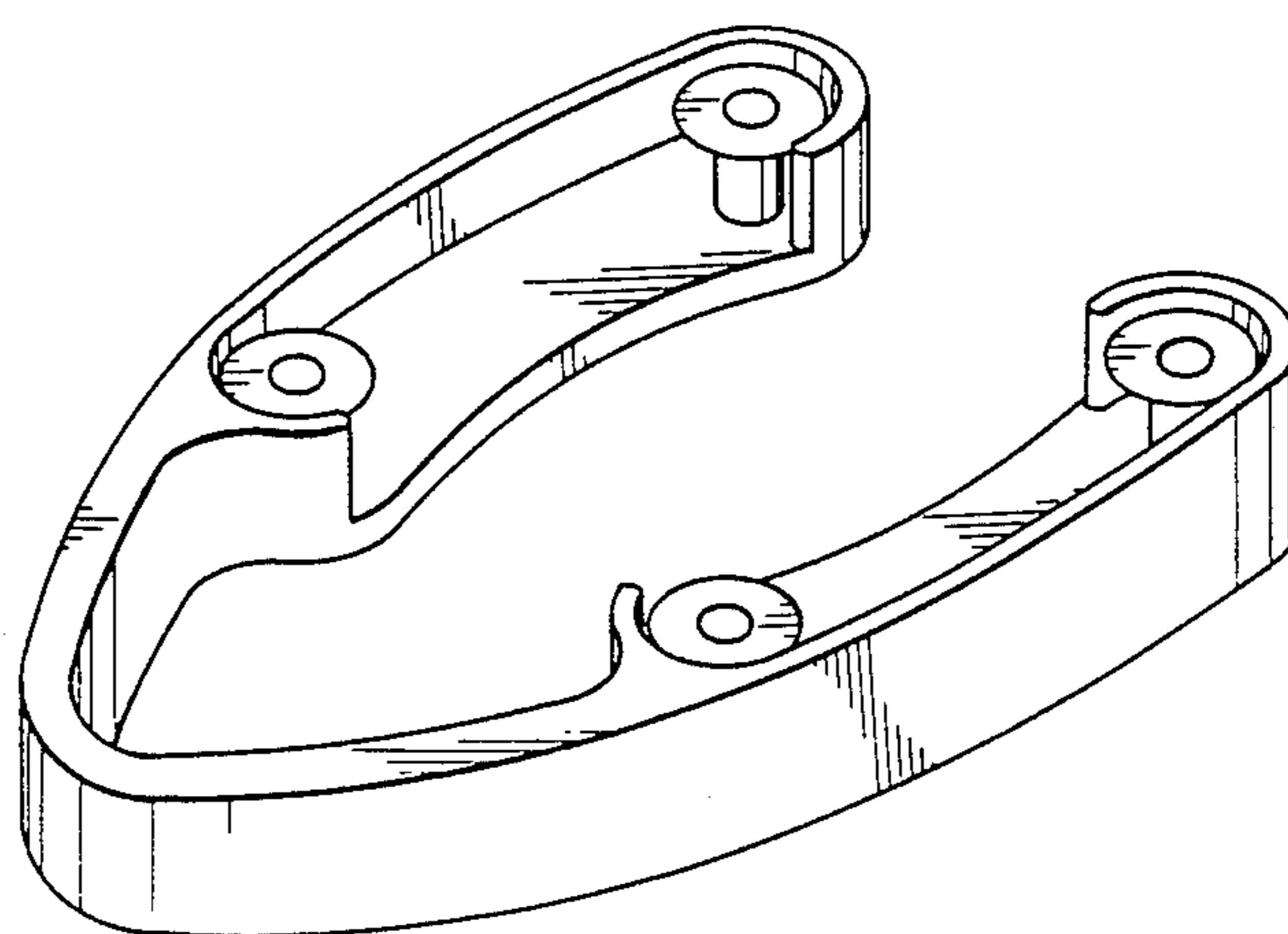


FIG. 2