

[54] **BUTTER DISH**

2,595,696 5/1952 Paul D7/84 X

[76] **Inventor: Ronald DeVito, 394 Somerville Pl.,
Yonkers, N.Y. 10703**

Primary Examiner—Bernard Ansher
Assistant Examiner—Terry Pfeffer
Attorney, Agent, or Firm—John F. Ohlandt

[*] **Notice:** The portion of the term of this patent subsequent to May 10, 2002 has been disclaimed.

[57] **CLAIM**

The ornamental design for butter dish, as shown and described.

[**] **Term: 14 Years**

[21] **Appl. No.: 770,546**

DESCRIPTION

[22] **Filed: Aug. 29, 1985**

[52] **U.S. Cl. D7/84**

[58] **Field of Search D7/37, 84, 43; 30/115**

FIG. 1 is a perspective view of a butter dish showing my new design the lid shown in broken lines for illustrative purposes only;

FIG. 2 is a side elevation view thereof; the opposite side elevation is a substantial mirror image;

FIG. 3 is a top plan view thereof;

FIG. 4 is a right end elevation view thereof;

FIG. 5 is a bottom plan view thereof;

FIG. 6 is a left end elevation view thereof.

[56] **References Cited**

U.S. PATENT DOCUMENTS

D. 158,999 6/1950 Paul D7/84 X
1,679,004 7/1928 Pinkel et al. D7/43 X

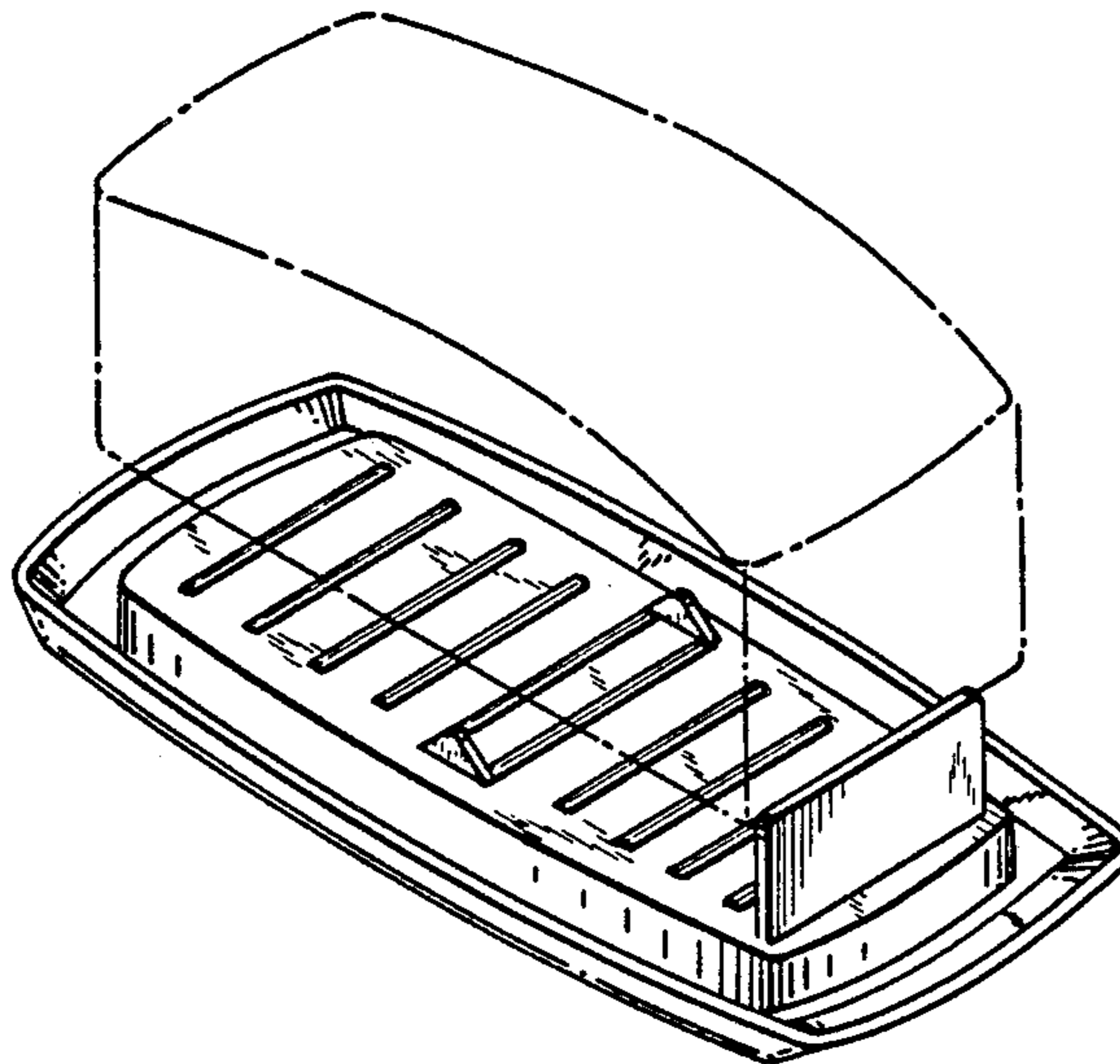


FIG. 1

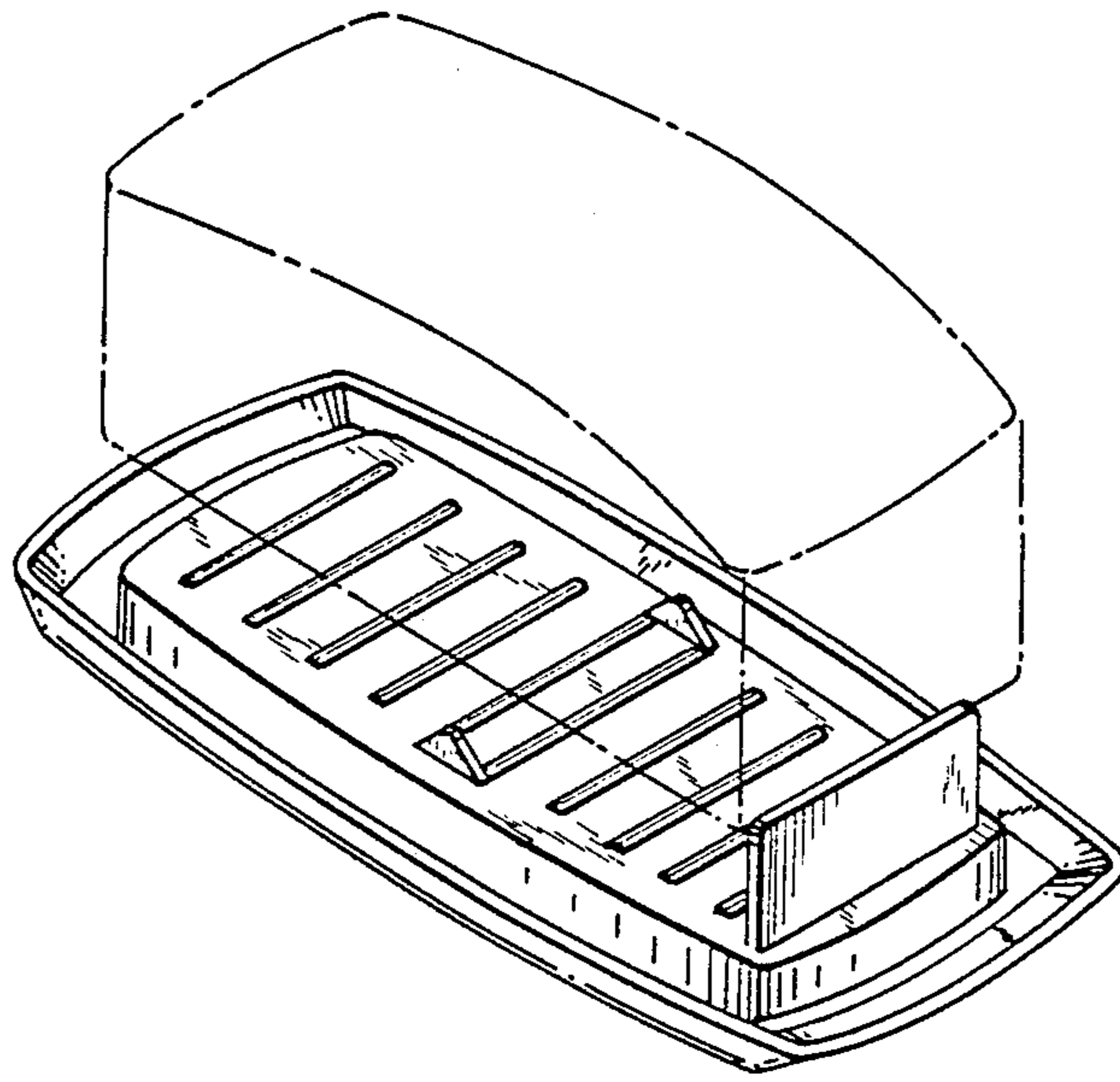


FIG. 2

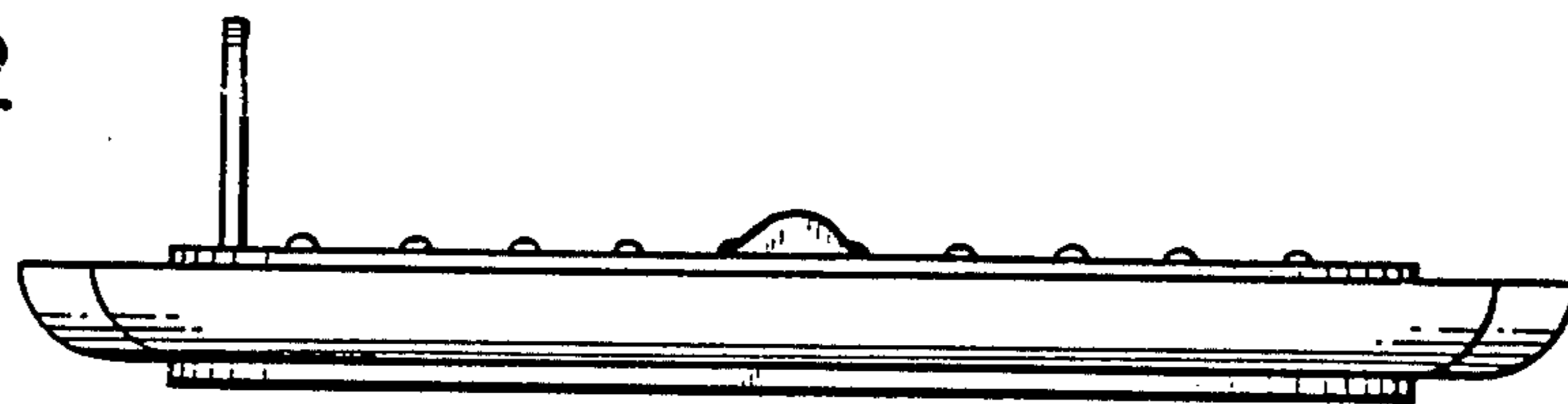


FIG. 3

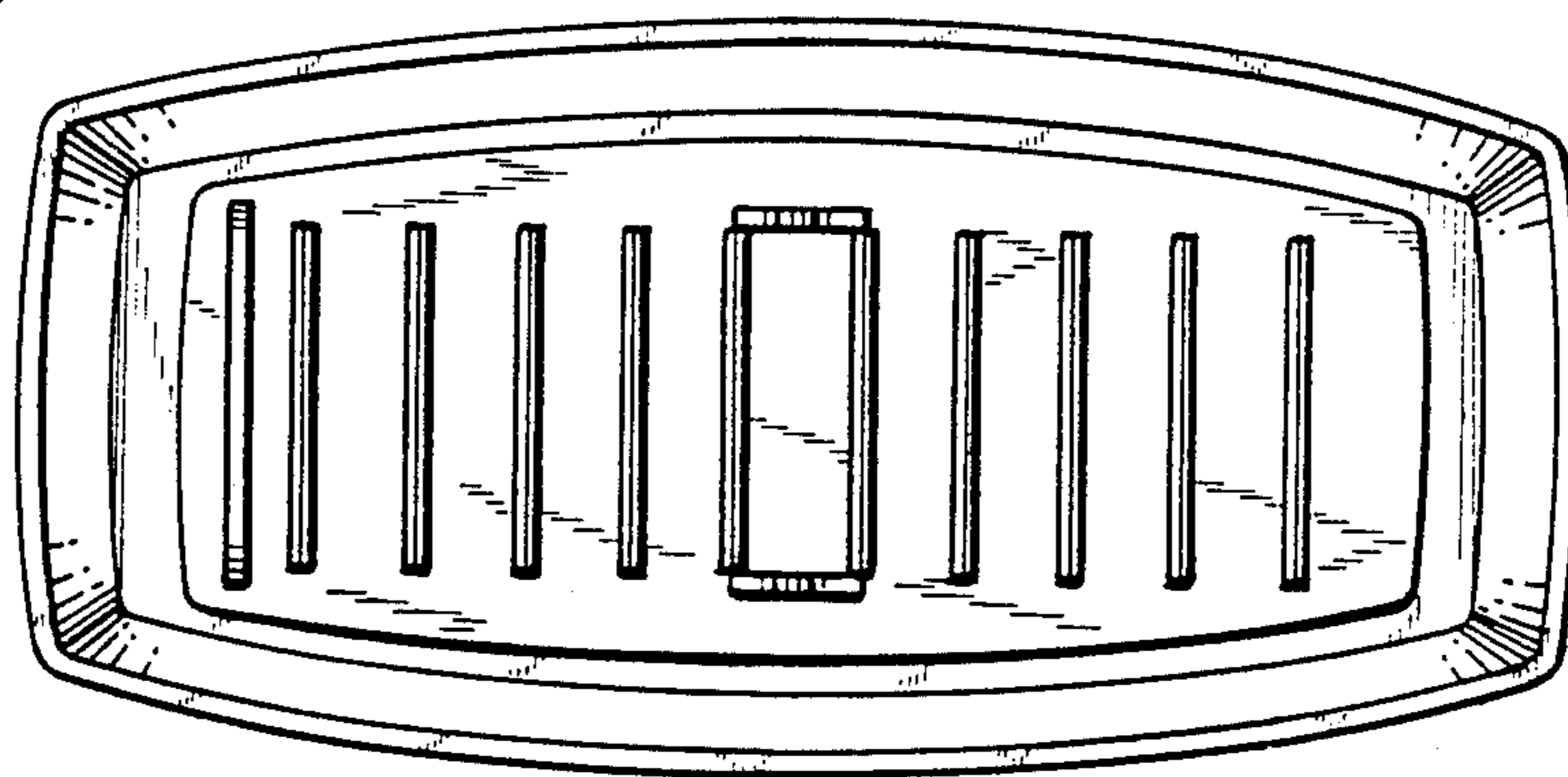


FIG.4

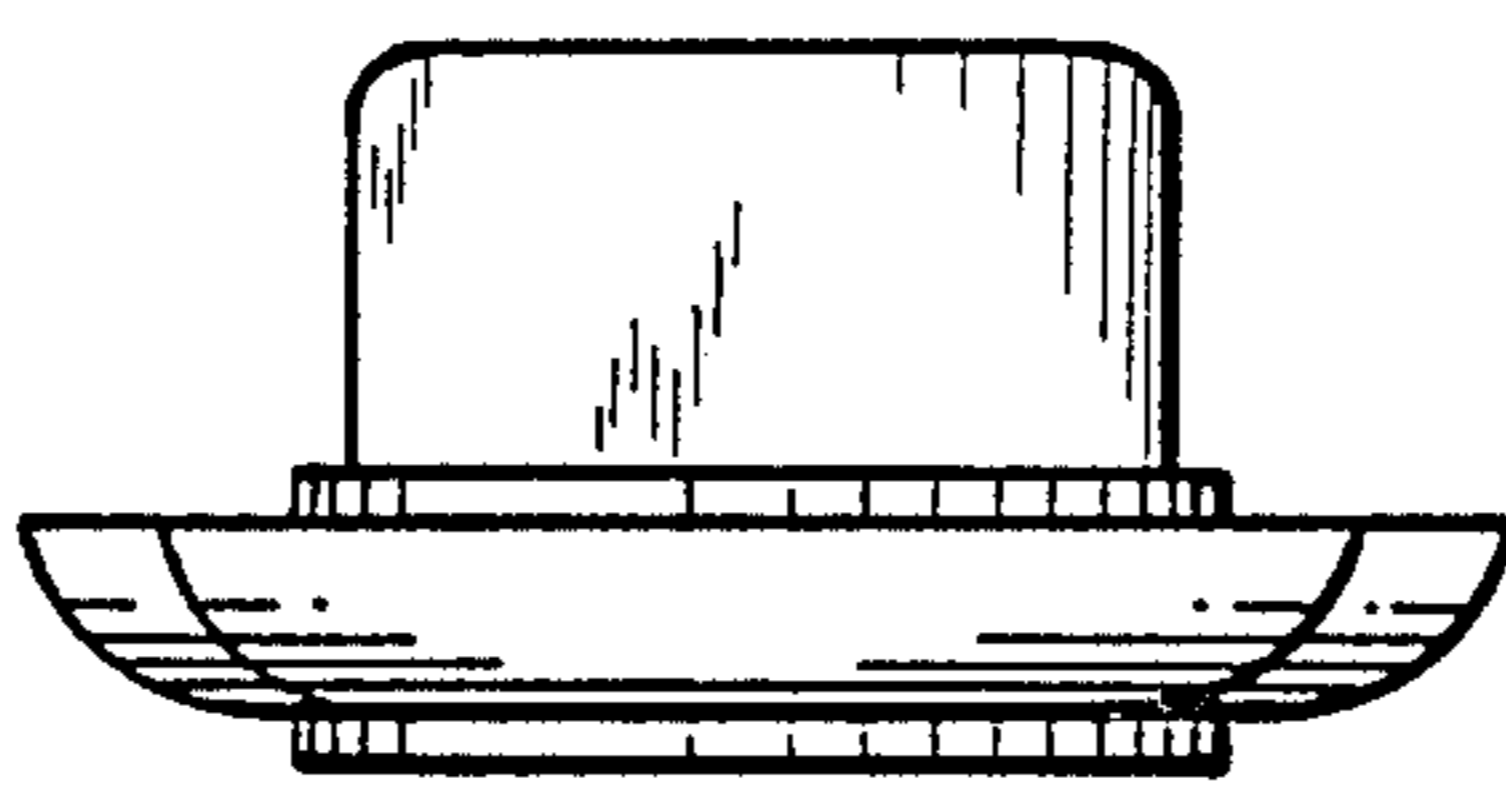


FIG.5

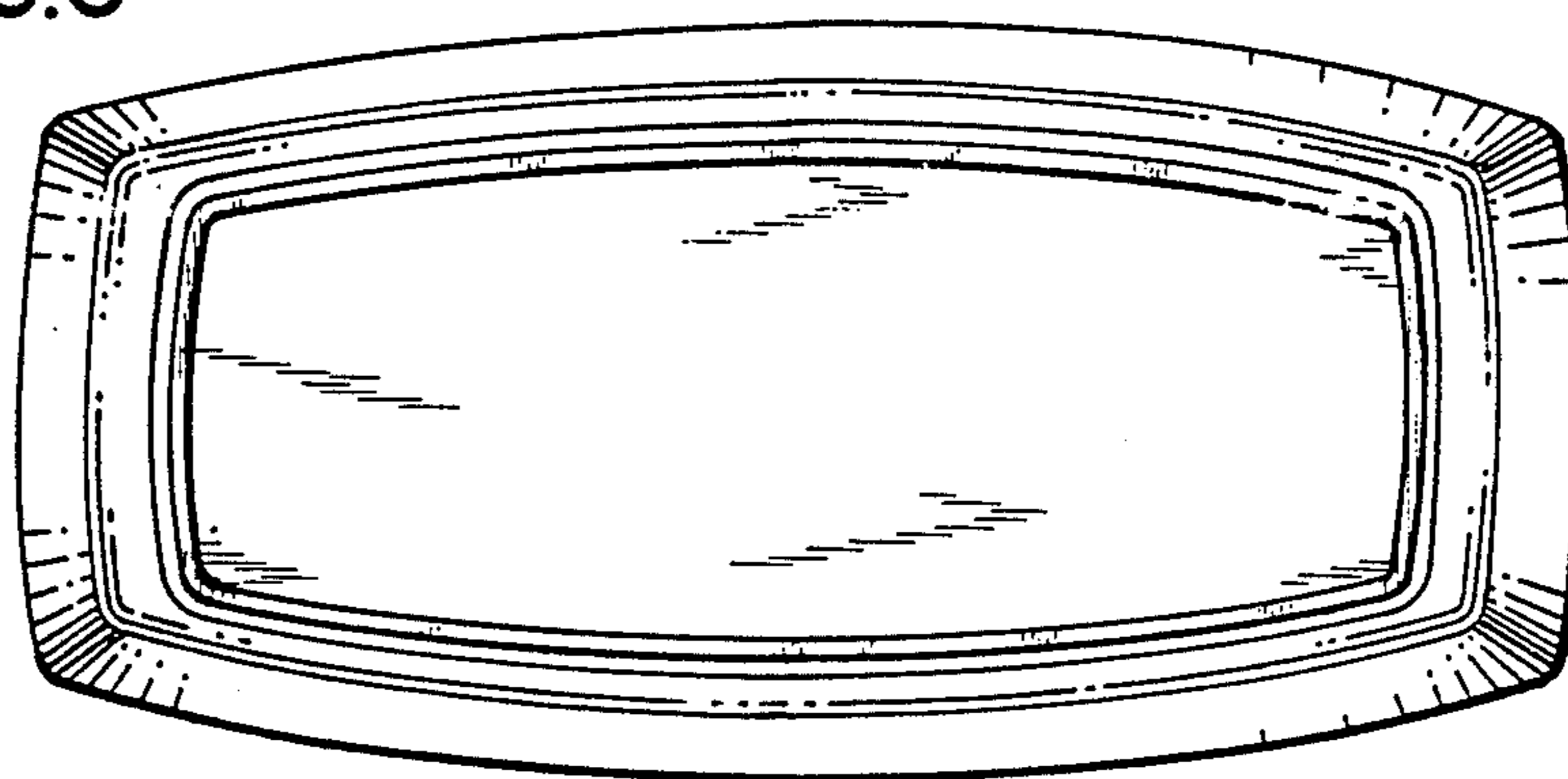


FIG.6

