

[54] **CAROUSEL CREAMER**

[75] **Inventors: Forest F. Liebe; Gordon H. Sayler,**
both of Coeur d'Alene, Id.

[73] **Assignee: Z-Tek International Inc., Post Falls,**
Id.

[**] **Term: 14 Years**

[21] **Appl. No.: 912,620**

[22] **Filed: Sep. 29, 1986**

[52] **U.S. Cl. D7/52**

[58] **Field of Search D7/52, 55, 58, 70, 71;**
211/77, 74; D9/455

[56] **References Cited**

U.S. PATENT DOCUMENTS

1,698,489 1/1929 Bickford D7/58 X

Primary Examiner—Bernard Ansher

Assistant Examiner—Terry Pfeffer

[57] **CLAIM**

The ornamental design for a carousel creamer, as shown and described.

DESCRIPTION

FIG. 1 is a right side elevational view of a carousel creamer showing our new design;

FIG. 2 is a top plan view thereof; and

FIG. 3 is a perspective view thereof.

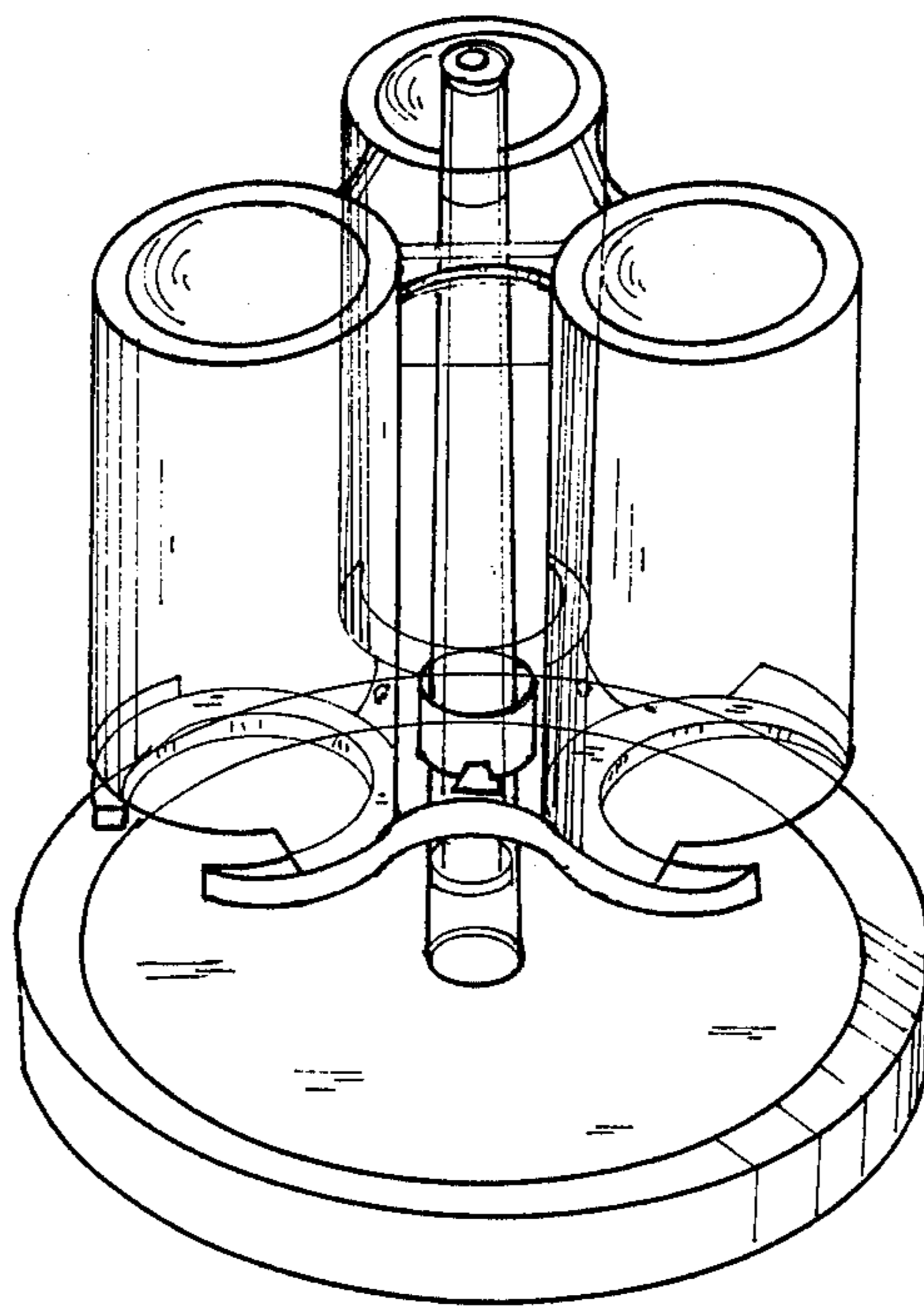


Fig 1

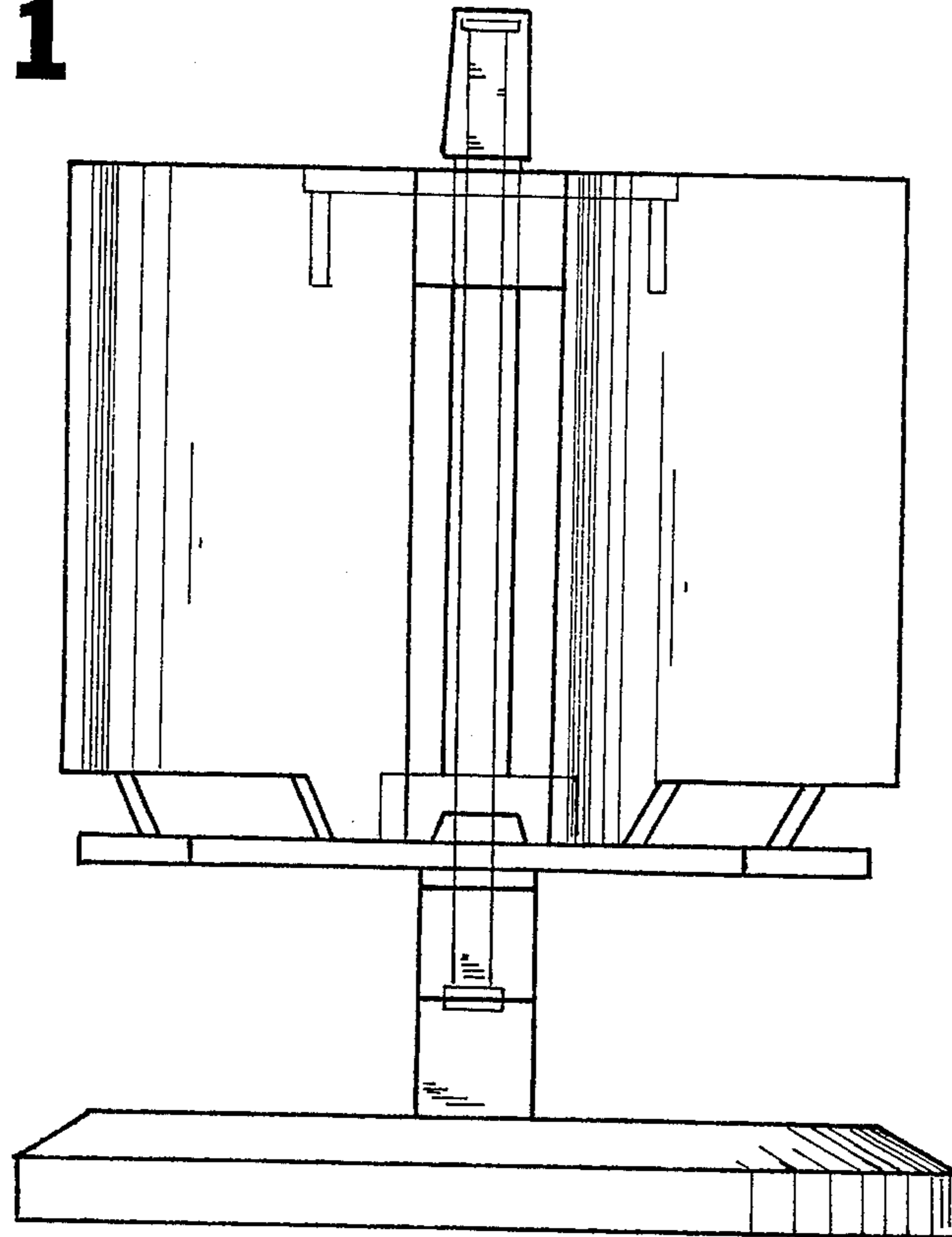


Fig 2

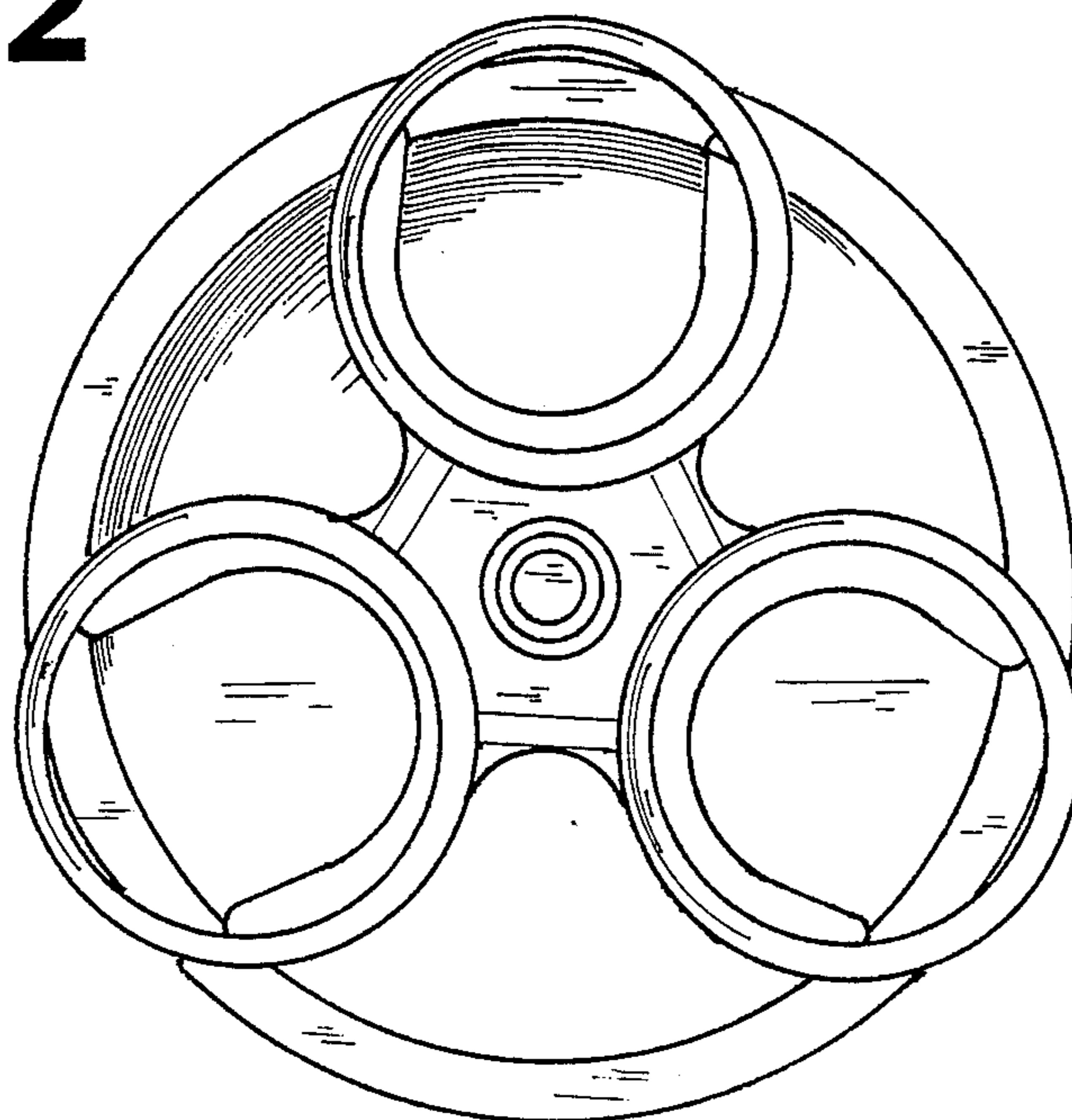


Fig 3

