

[54] **MERCHANDISE DISPLAY STAND**

[75] **Inventor: Fred Frieden, Jr., Lombard, Ill.**

[73] **Assignee: Dupli-Color Products Company, Cleveland, Ohio**

[**] **Term: 14 Years**

[21] **Appl. No.: 659,977**

[22] **Filed: Oct. 12, 1984**

[52] **U.S. Cl. D6/461; D6/469**

[58] **Field of Search D6/449, 455, 457, 458, D6/459, 460, 461; 211/129, 144, 163, 131**

[56] **References Cited**

U.S. PATENT DOCUMENTS

D. 186,060	9/1959	Udesky et al.	D6/461 X
D. 199,942	12/1964	Tintary	D6/461
D. 208,283	8/1967	Cranfill	D6/457
D. 211,430	6/1968	Balos	D6/407
D. 216,713	3/1970	Buchwach	D6/469 X
D. 237,432	11/1975	Taub	D6/461
D. 237,915	12/1975	Molenaar	D6/457
D. 240,384	7/1976	Rumble et al.	D6/407 X
D. 241,193	8/1976	Salcer	D6/457
D. 285,029	8/1986	Cooper	D6/461

OTHER PUBLICATIONS

Visual Merchandising, Feb. 1975, p. 37, Display Rack top left.

Primary Examiner—Bruce W. Dunkins
Attorney, Agent, or Firm—Robert E. McDonald; James V. Tura; David B. Deioma

[57] **CLAIM**

The ornamental design for a merchandise display stand, substantially as shown and described.

DESCRIPTION

FIG. 1 is a front elevational view of a merchandise display stand showing my design, the undisclosed rear being the same in appearance;
 FIG. 2 is a top plan view;
 FIG. 3 is a bottom plan view;
 FIG. 4 is a fragmentary side elevational view taken along the lines 4—4 of FIG. 1;
 FIG. 5 is a front perspective view of the stand;
 FIG. 6 is a detail sectional view of the support base taken generally along the lines 6—6 of FIG. 3; and
 FIG. 7 is an enlarged side elevational view showing a portion of one of the shelf members in greater detail and taken generally along the lines 7—7 of FIG. 2.
 The dotted containers disclosed in FIGS. 1 and 5 have been shown for illustrative purposes only.

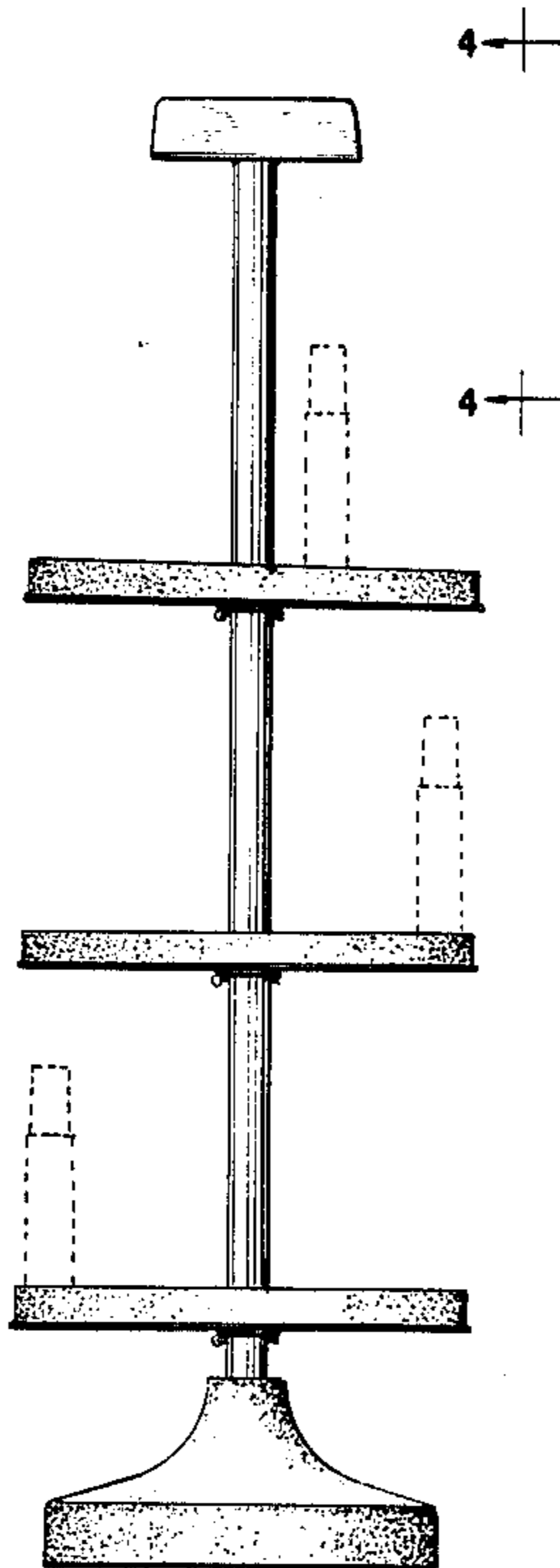


FIG. 1

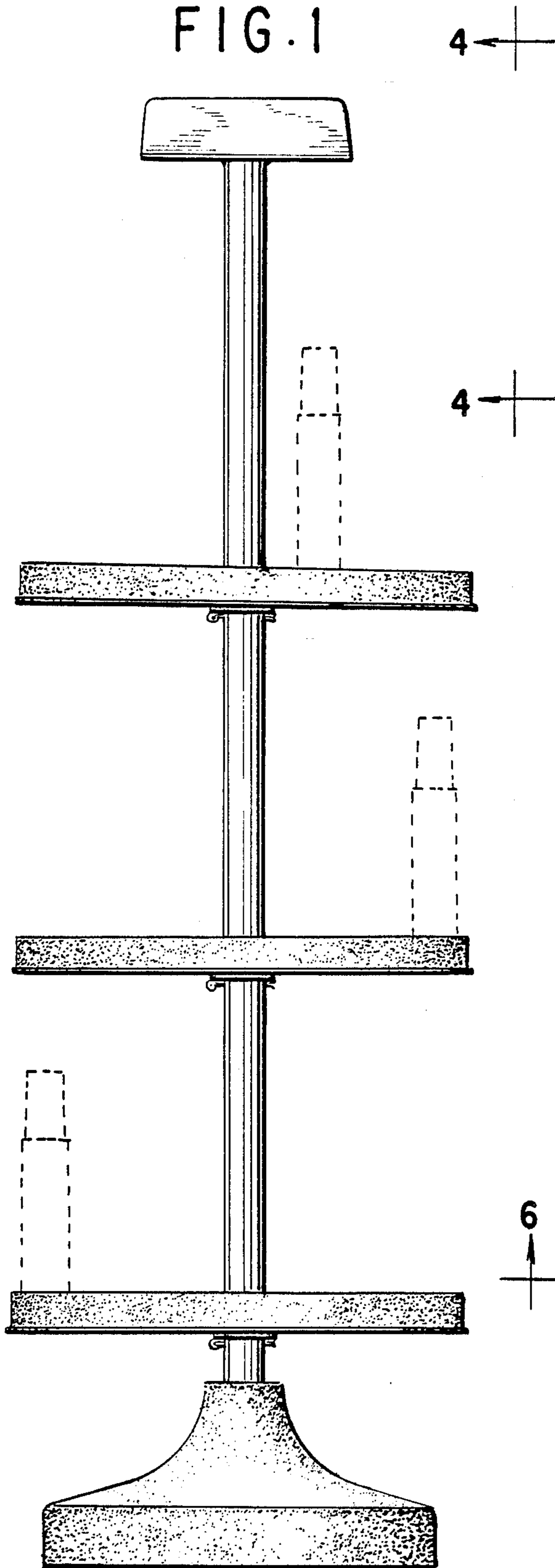


FIG. 4



FIG. 2

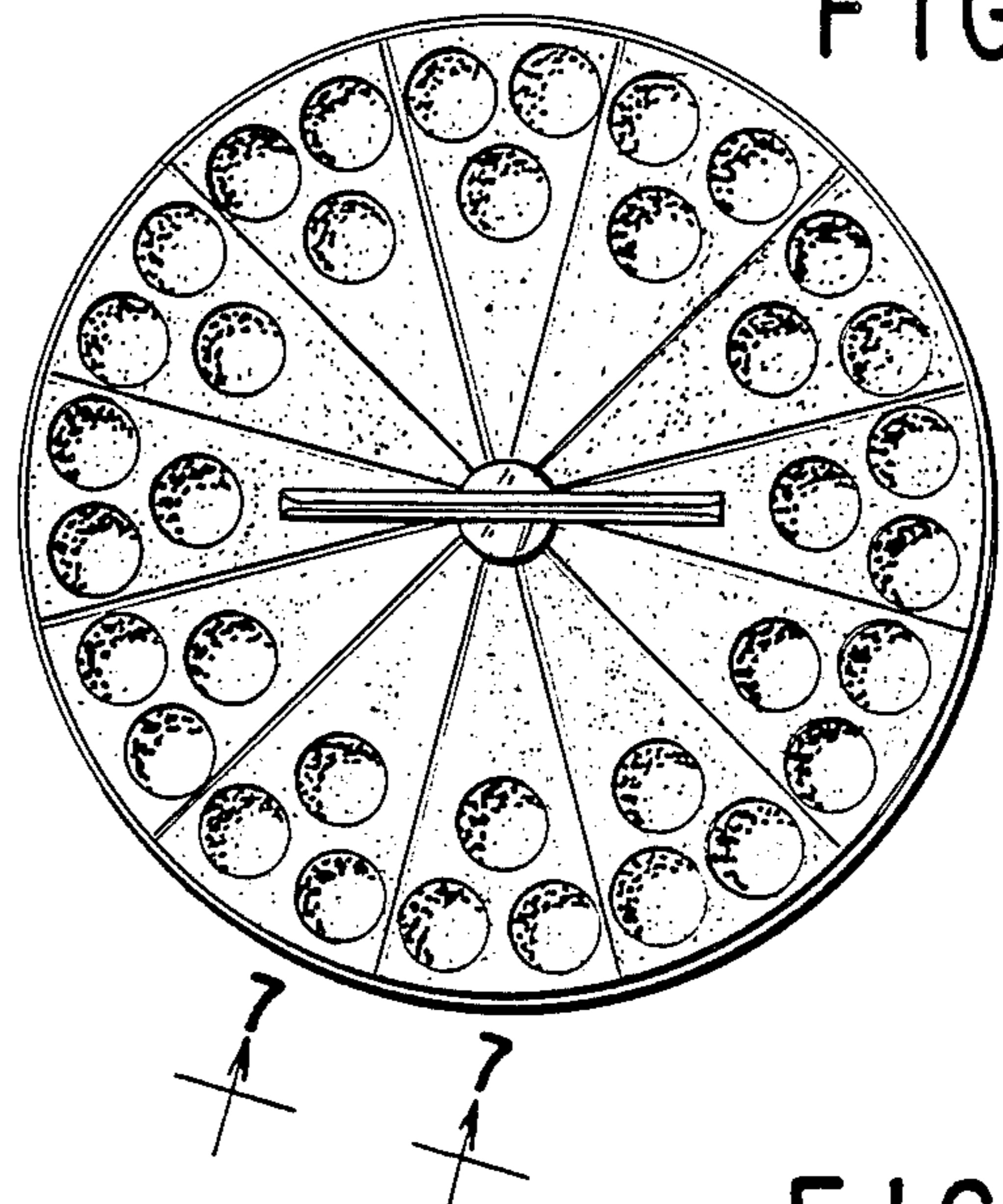


FIG. 3

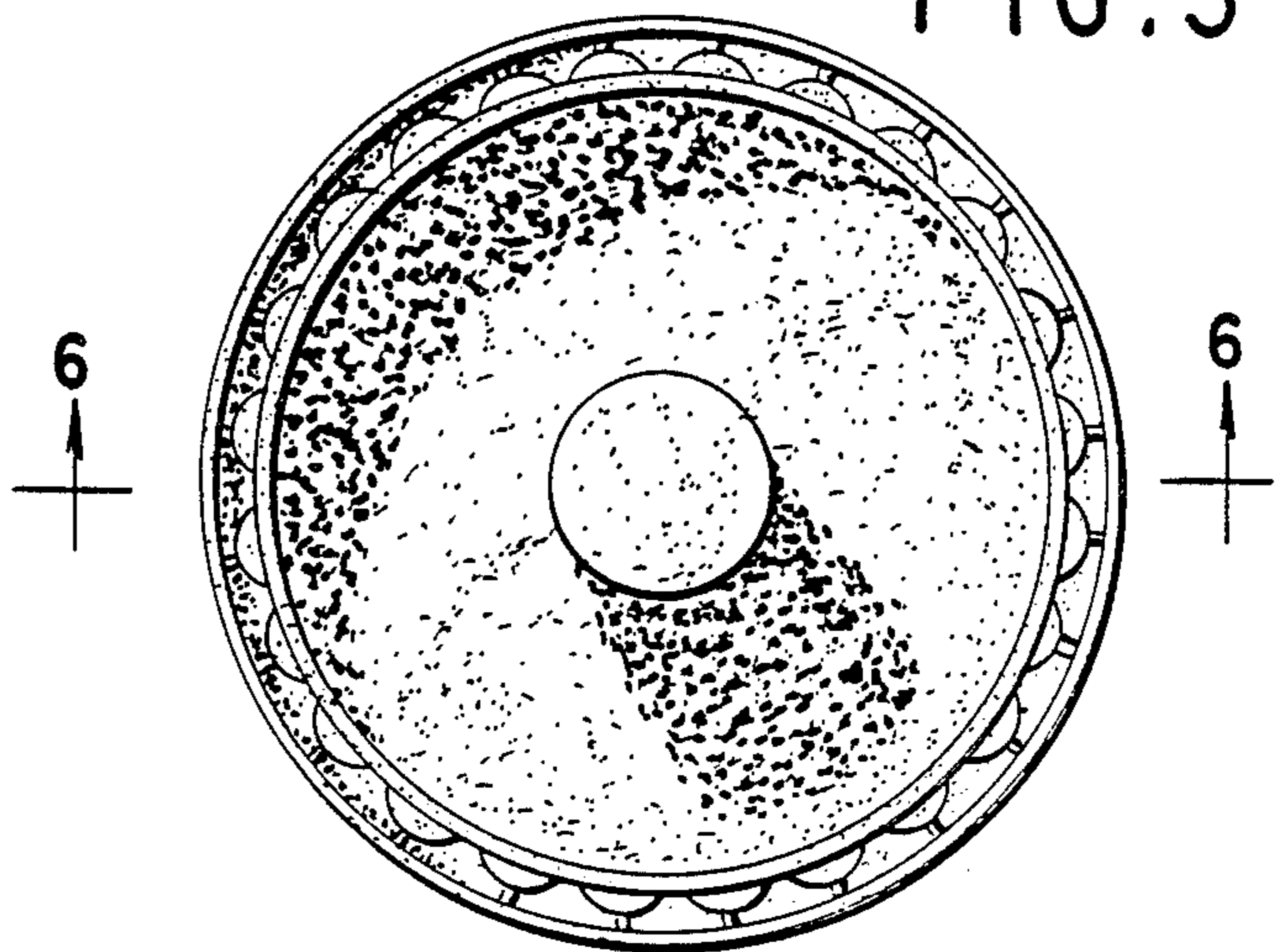


FIG. 5

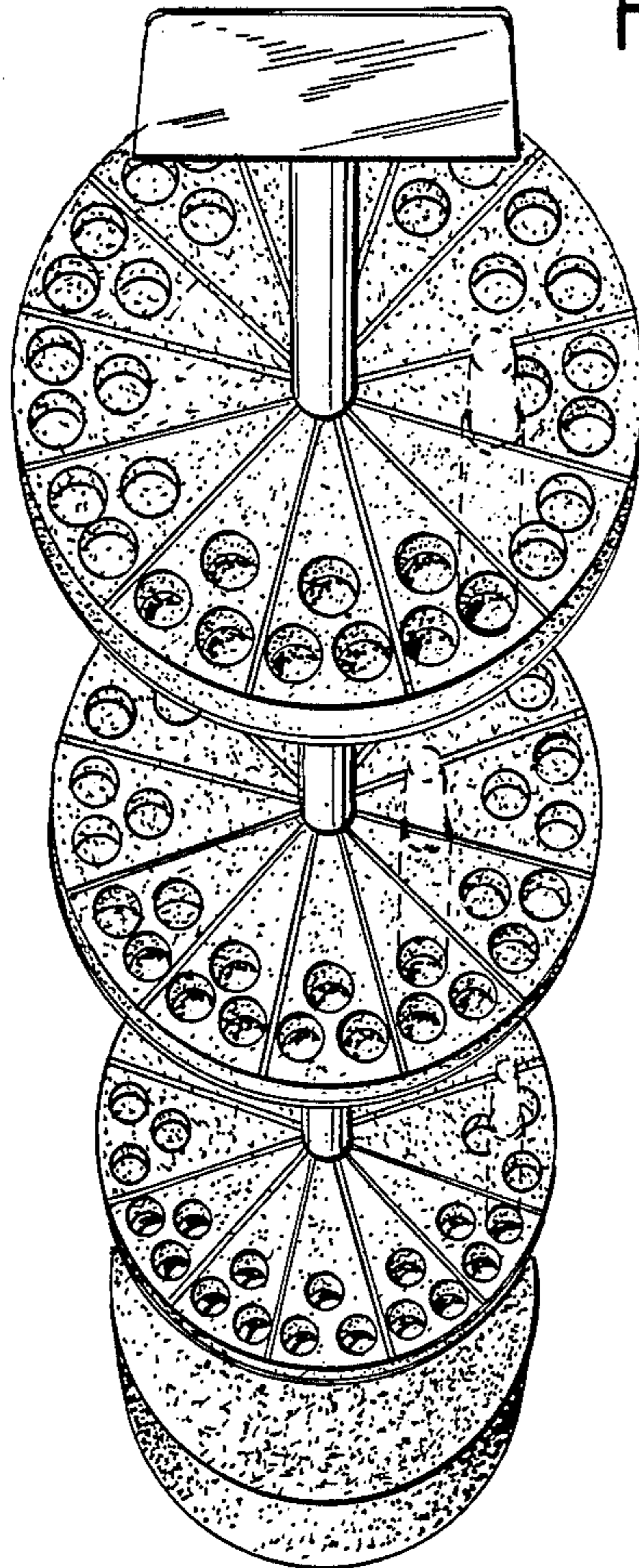


FIG. 6

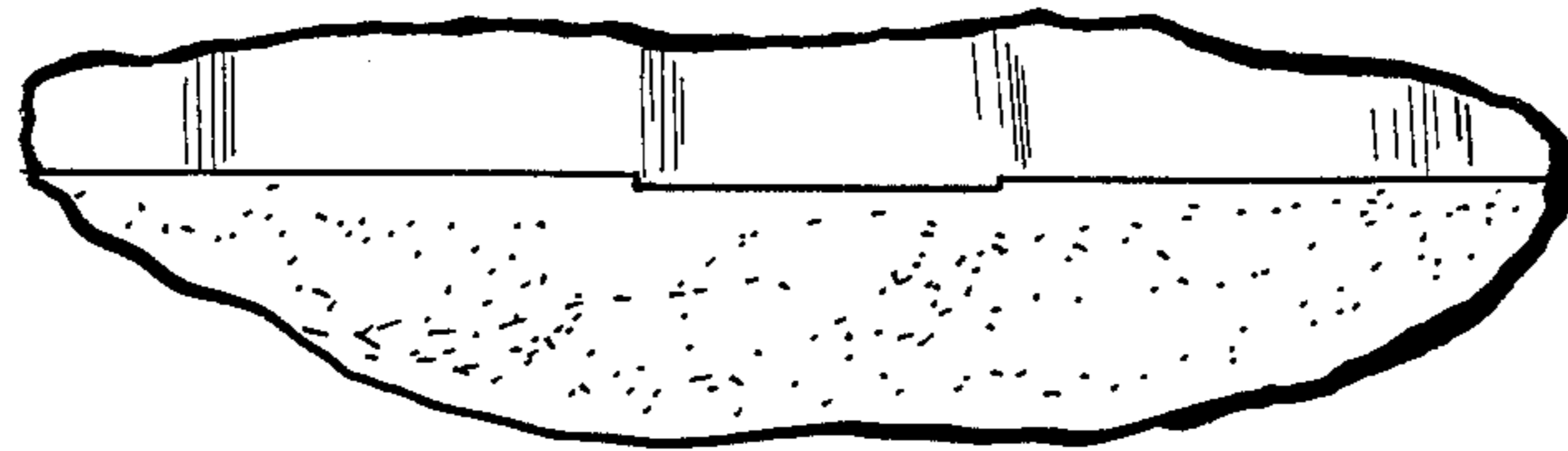
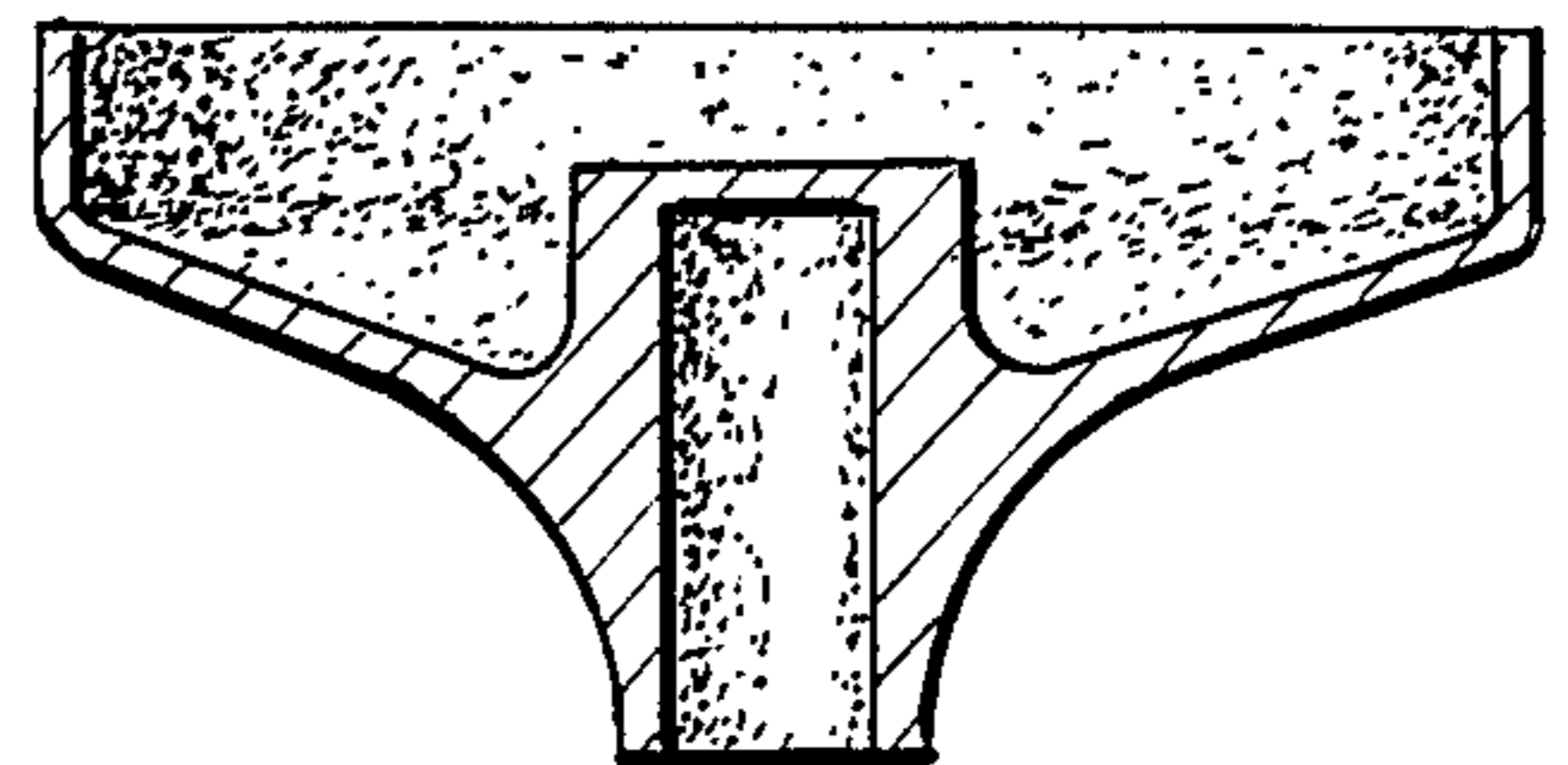


FIG. 7