

[54] COMPUTER WORK STATION

[75] Inventor: John Arnott, Toronto, Canada

[73] Assignee: Amnicon Corporation, Downsview, Canada

[**] Term: 14 Years

[21] Appl. No.: 823,282

[22] Filed: Jan. 28, 1986

[30] Foreign Application Priority Data

Nov. 8, 1985 [CA] Canada 08-11-85-11

[52] U.S. Cl. D6/429; D6/420; D6/486

[58] Field of Search D6/419, 420, 422, 423, D6/425, 426, 427, 428, 474, 440, 420, 429, 430, 486; D14/103, 114; D18/23; 312/196, 195, 194

[56] References Cited

U.S. PATENT DOCUMENTS

- D. 218,101 7/1970 Kamm et al. D14/103
- D. 229,513 12/1973 Bermender, Jr. D14/103
- D. 241,035 8/1976 Karlin D6/428
- D. 243,575 3/1977 Knox D6/428

- D. 250,336 11/1978 Esslinger et al. D14/103
- D. 267,063 11/1982 Wilson D6/420 X
- D. 280,478 9/1985 Stephens D6/486 X
- D. 289,240 4/1987 Sylvester et al. D6/429
- D. 290,199 6/1987 Hampshire D6/486 X
- D. 290,199 6/1987 Hampshire D6/426 X
- 3,794,397 2/1974 Flototto 312/194 X
- 4,440,096 4/1984 Rice et al. 108/5 X

FOREIGN PATENT DOCUMENTS

2020145 12/1971 Fed. Rep. of Germany 312/194

Primary Examiner—Carmen H. Vales

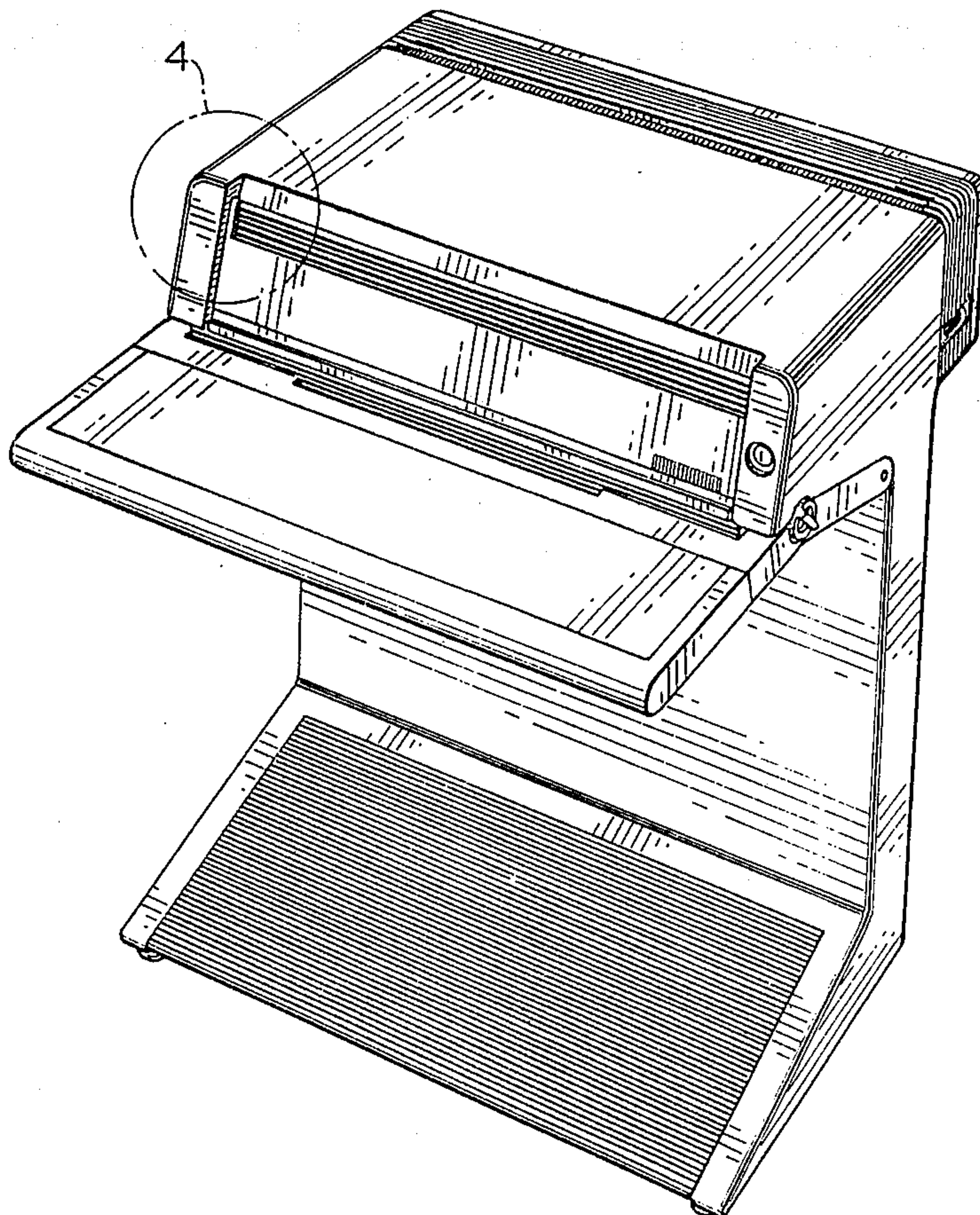
Attorney, Agent, or Firm—Moss, Hammond

[57] CLAIM

The ornamental design for a computer work station, as shown and described.

DESCRIPTION

FIG. 1 is a front perspective view of a computer work station, showing my new design;
 FIG. 2 is a rear perspective view thereof;
 FIG. 3 is a right side elevational view the left side being a mirror image thereof; and
 FIG. 4 is an enlarged detailed perspective view as indicated in FIG. 1.



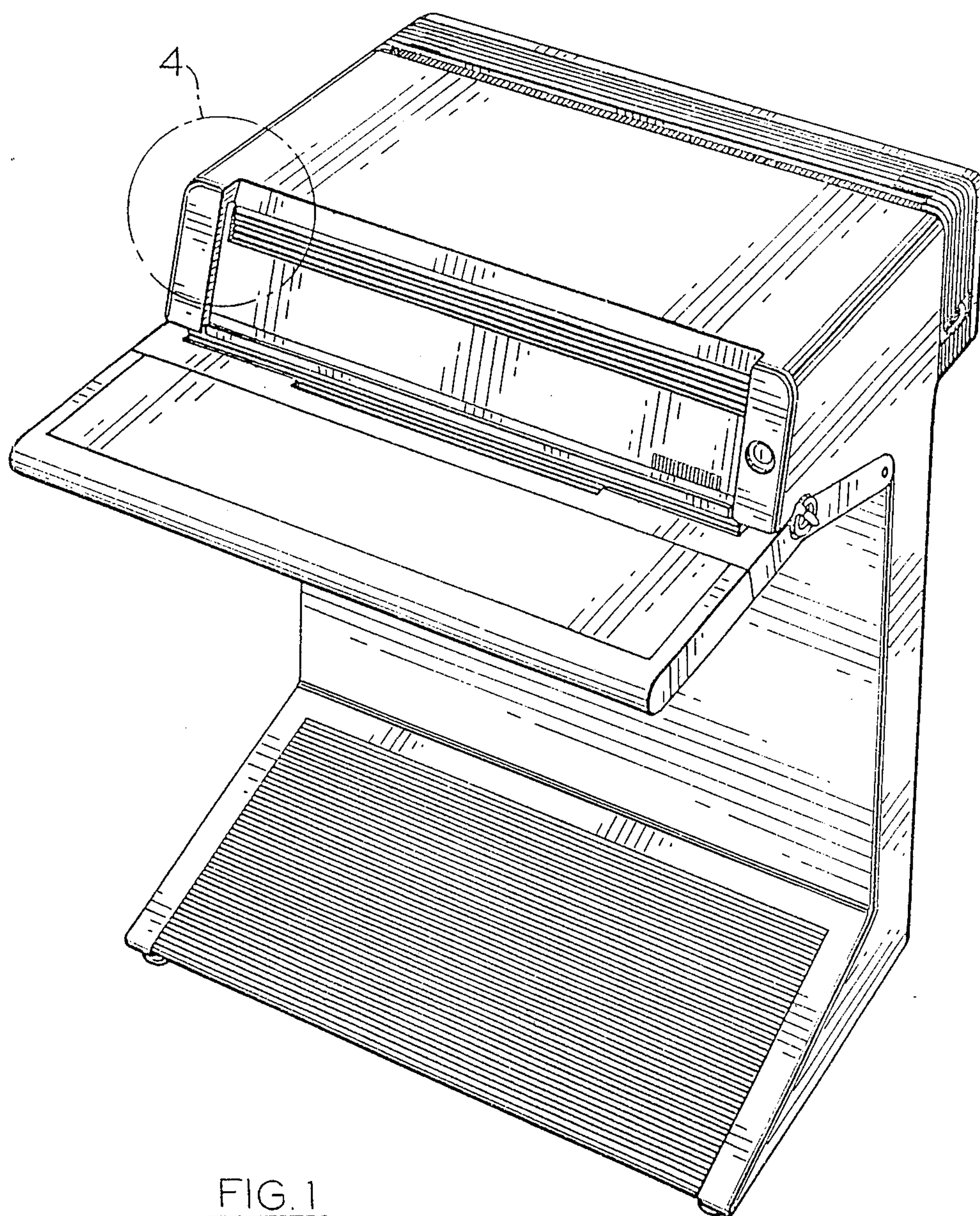


FIG. 1

FIG. 2

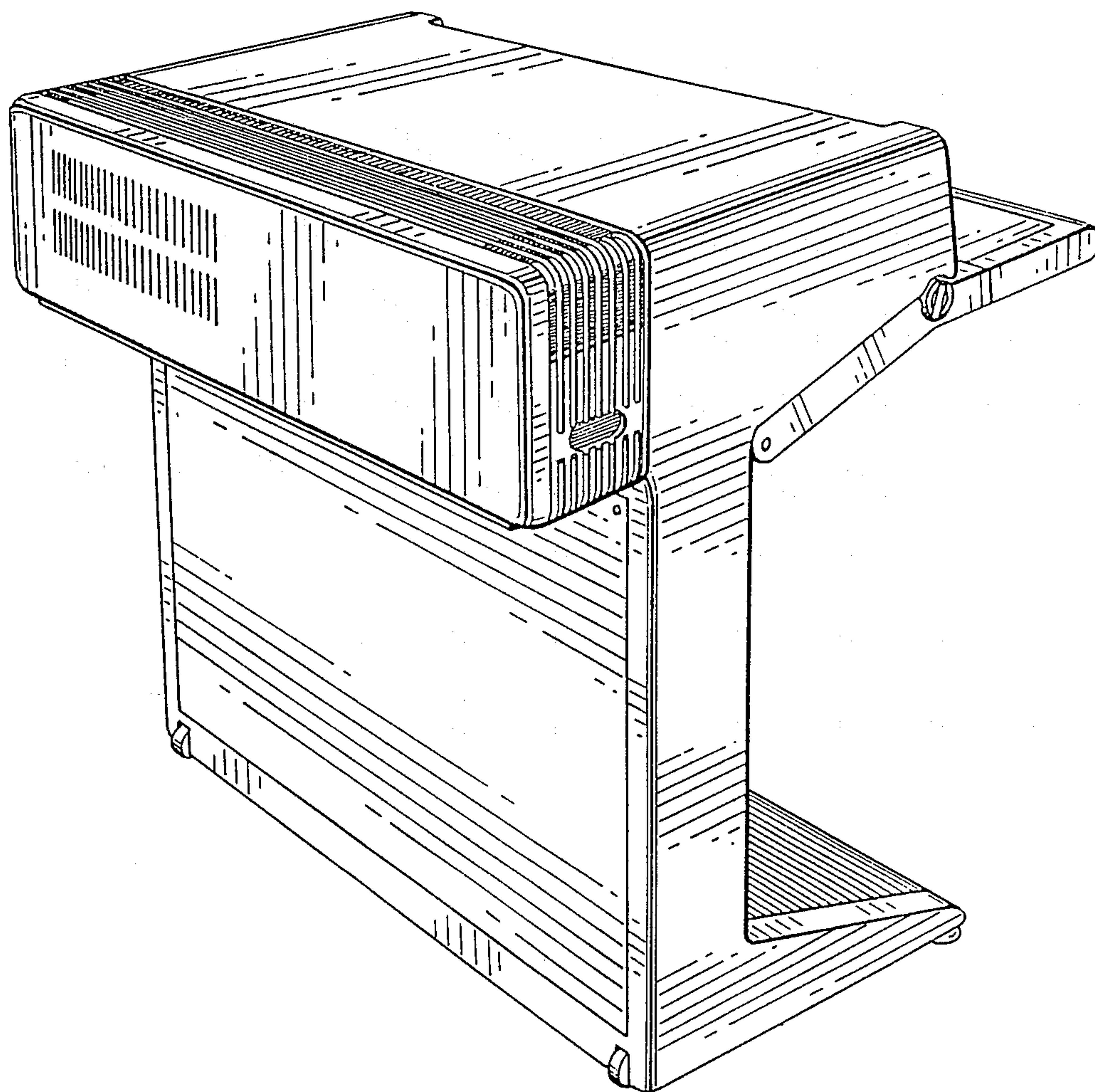
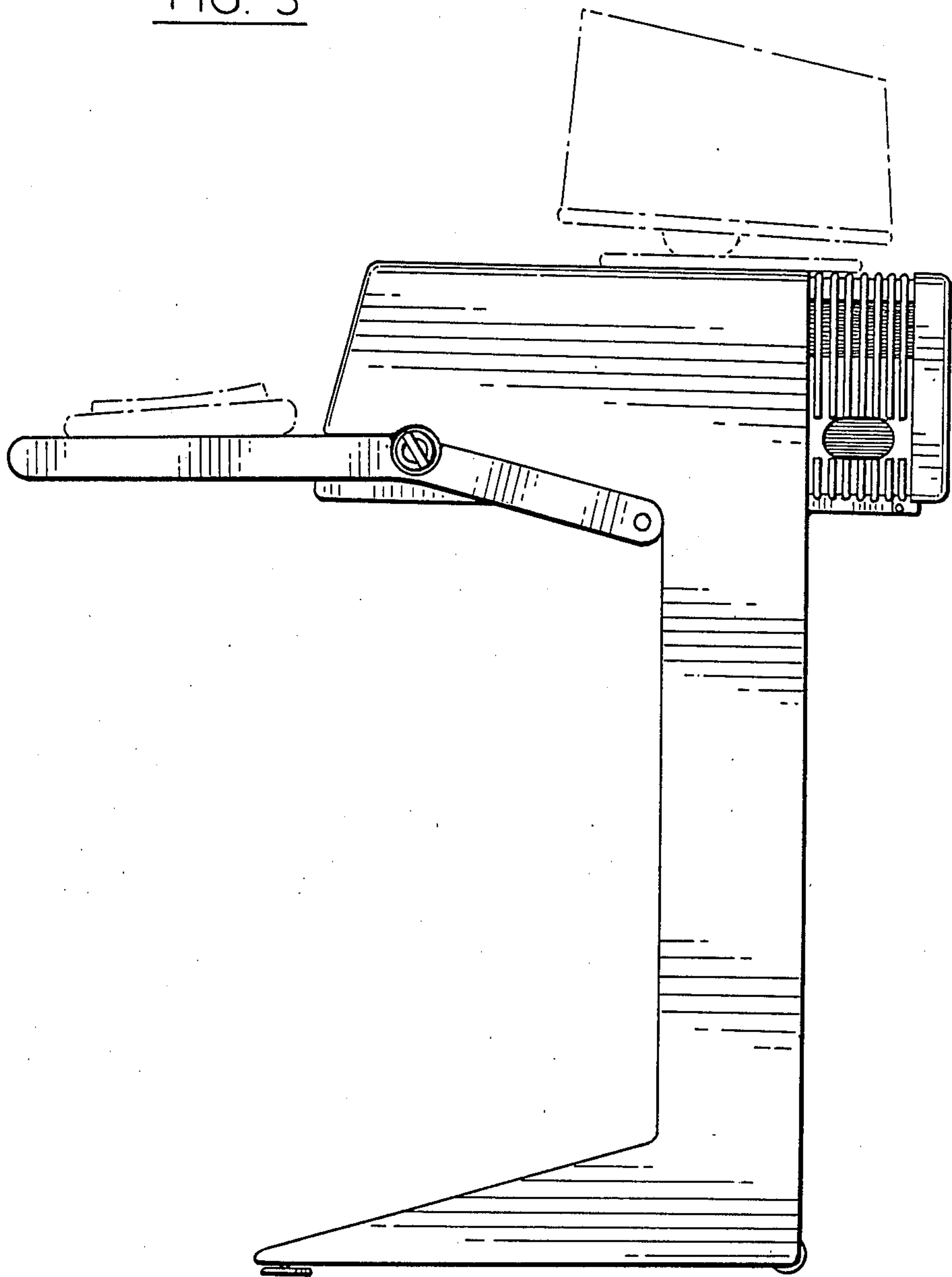


FIG. 3



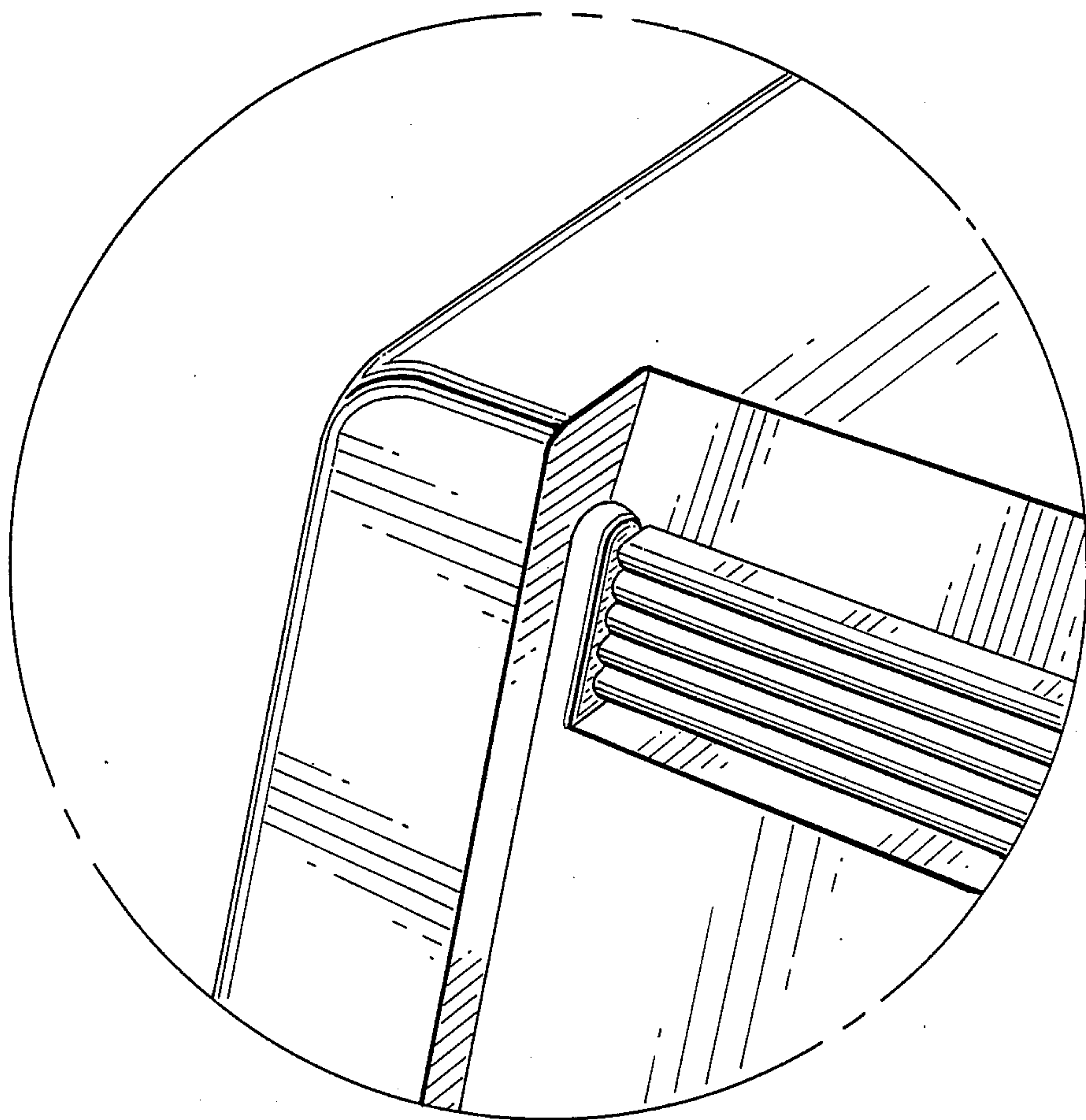


FIG. 4