

[54] CASSETTE STORAGE RACK

[76] Inventor: David M. Stravitz, 16 Park Ave., Ste. 14A, New York, N.Y. 10016

[**] Term: 14 Years

[21] Appl. No.: 863,405

[22] Filed: May 14, 1986

D. 294,206 2/1988 Stravitz D6/407
3,856,369 12/1974 Commiant D6/407 X

Primary Examiner—Carmen H. Vales
Attorney, Agent, or Firm—Frishauf, Holtz, Goodman & Woodward

[57] CLAIM

The ornamental design for a cassette storage rack, as shown and described.

Related U.S. Application Data

[63] Continuation-in-part of Ser. No. 741,156, Jun. 4, 1985, Pat. No. Des. 294,206, which is a continuation-in-part of Ser. No. 603,107, Apr. 23, 1984, Pat. No. Des. 289,833.

[52] U.S. Cl. D6/407

[58] Field of Search D6/407, 449, 477, 478, D6/479; 206/387; 108/92, 94, 96, 98, 108, 111; D3/35; 312/9-12

[56] References Cited

U.S. PATENT DOCUMENTS

- D. 119,873 4/1940 Wright D6/479 X
- D. 247,646 3/1978 Woodhall D3/35
- D. 259,450 6/1981 Veralrud D6/407 X
- D. 260,457 9/1981 Rumble D6/407 X
- D. 289,342 4/1987 Reichow D6/407 X
- 289,833 5/1987 Stravitz D6/407

DESCRIPTION

FIG. 1 is a front elevational view of a cassette storage rack showing my new design;
 FIG. 2 is a bottom plan view thereof;
 FIG. 3 is a rear elevational view thereof;
 FIG. 4 is a top plan view thereof;
 FIG. 5 is a right side elevational view thereof, the left side being a mirror image;
 FIG. 6 is a perspective view thereof;
 FIG. 7 is a front elevational view of a modified embodiment of the cassette storage rack shown in FIG. 1;
 FIG. 8 is a bottom plan view thereof;
 FIG. 9 is a rear elevational view thereof;
 FIG. 10 is a top plan view thereof;
 FIG. 11 is a right side elevational view thereof, the left side being a mirror image; and
 FIG. 12 is a perspective view thereof.

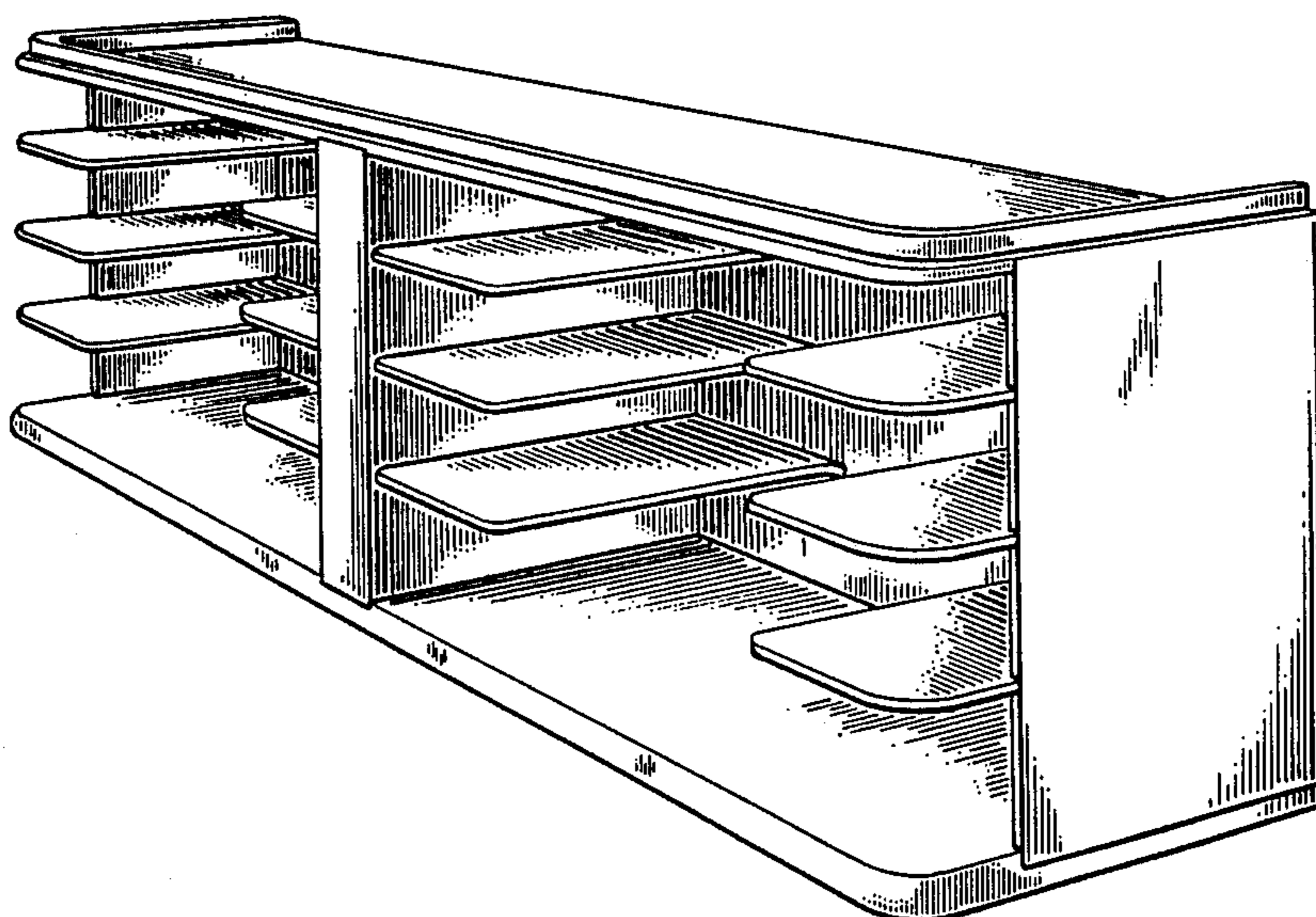


FIG. 1

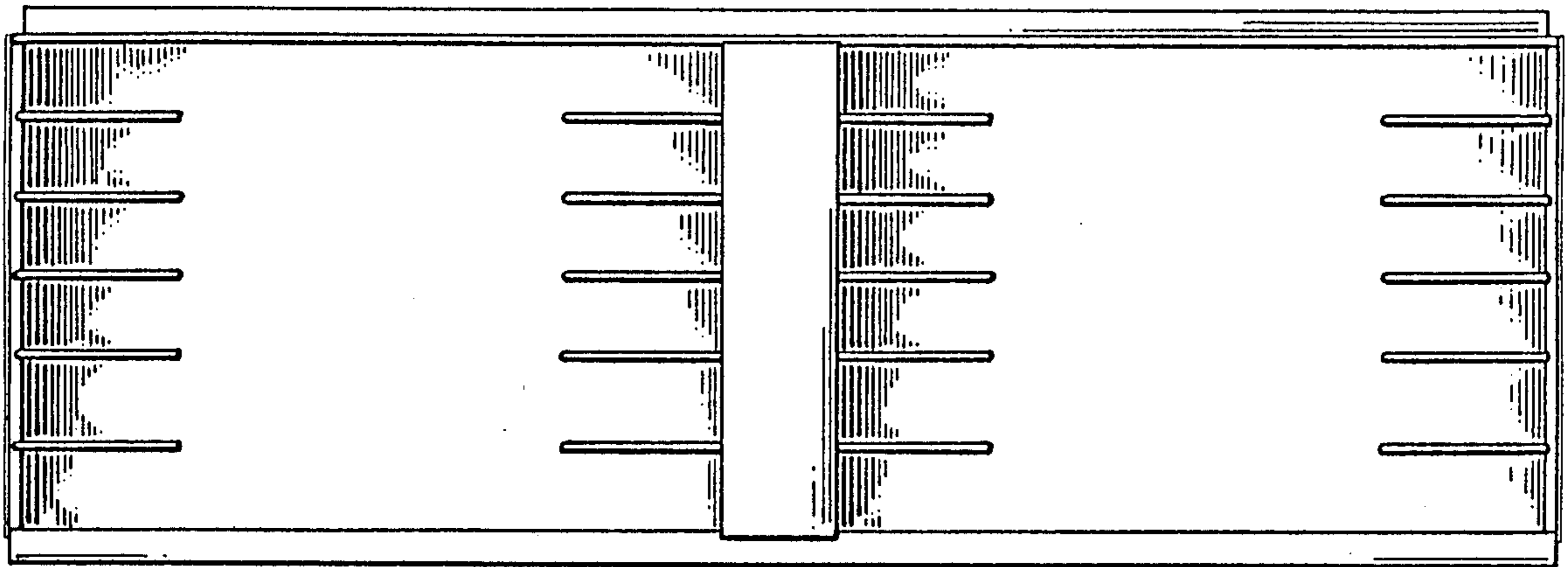


FIG. 2

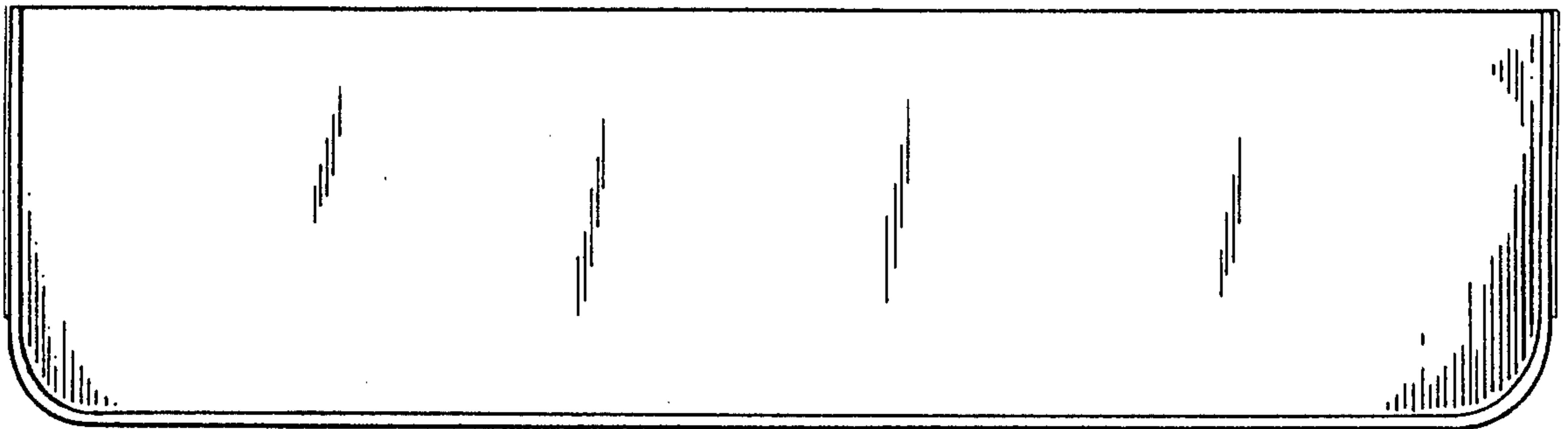


FIG. 3

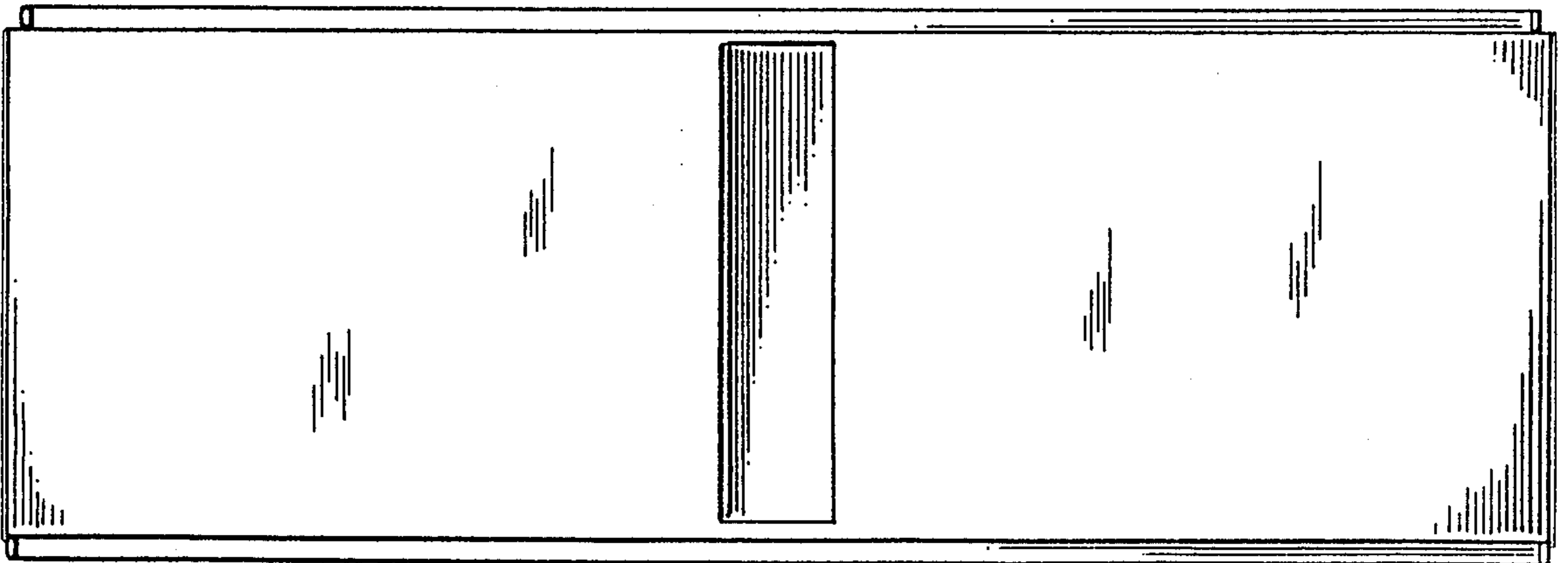


FIG. 4

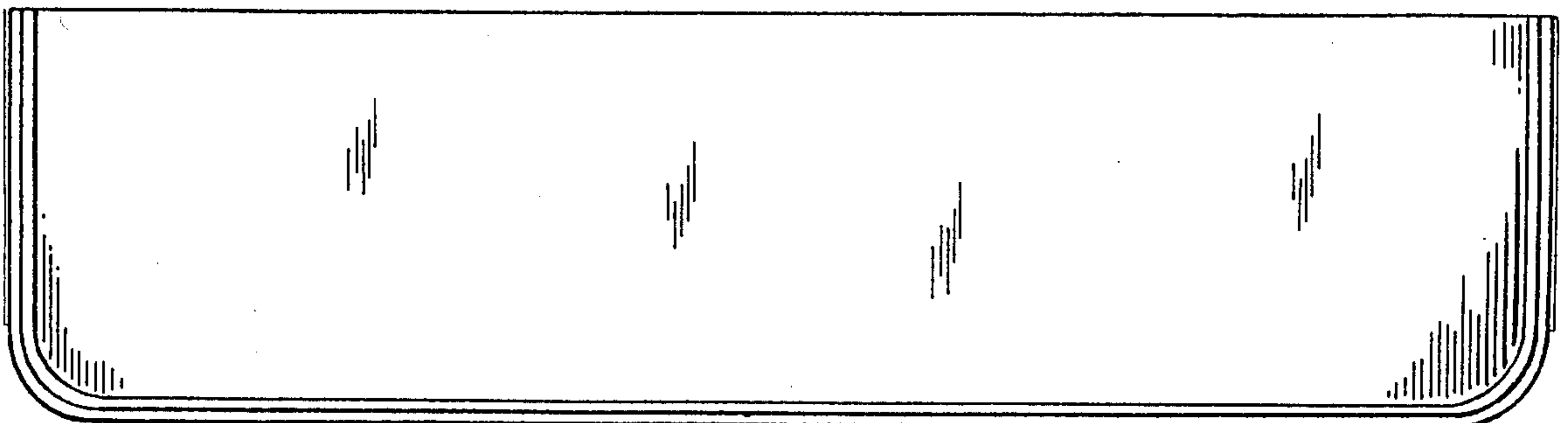


FIG. 5

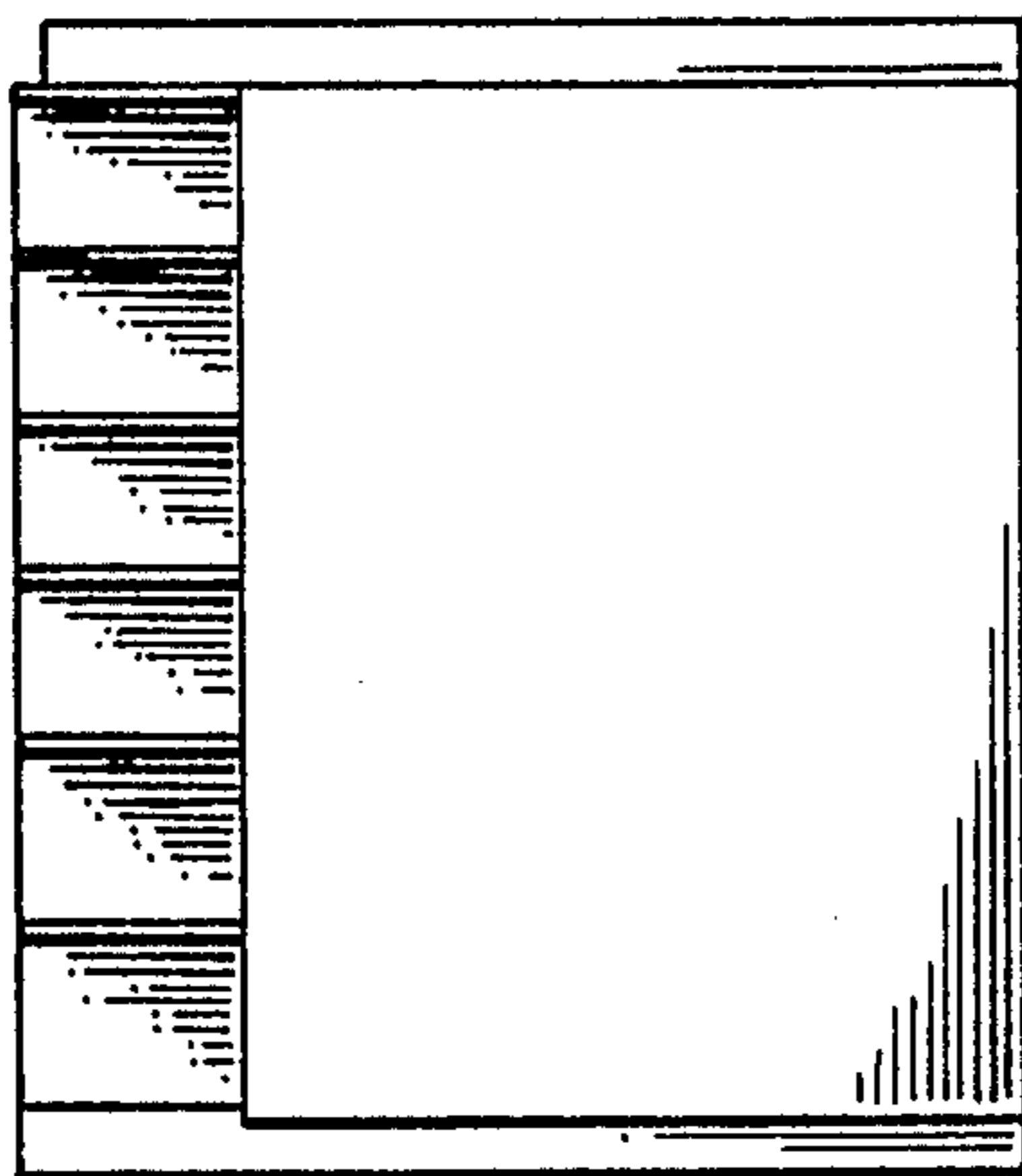


FIG. 6

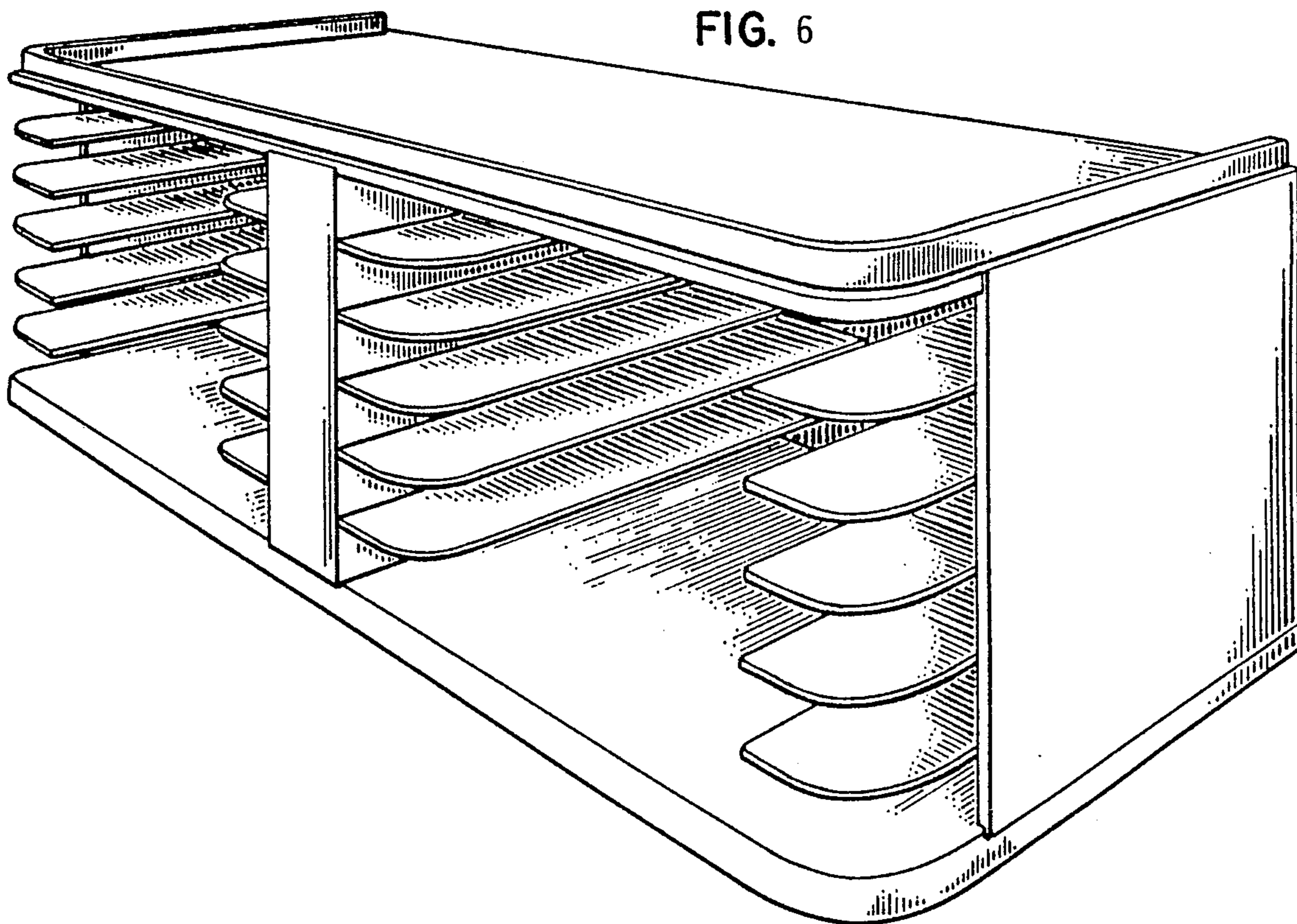


FIG. 7

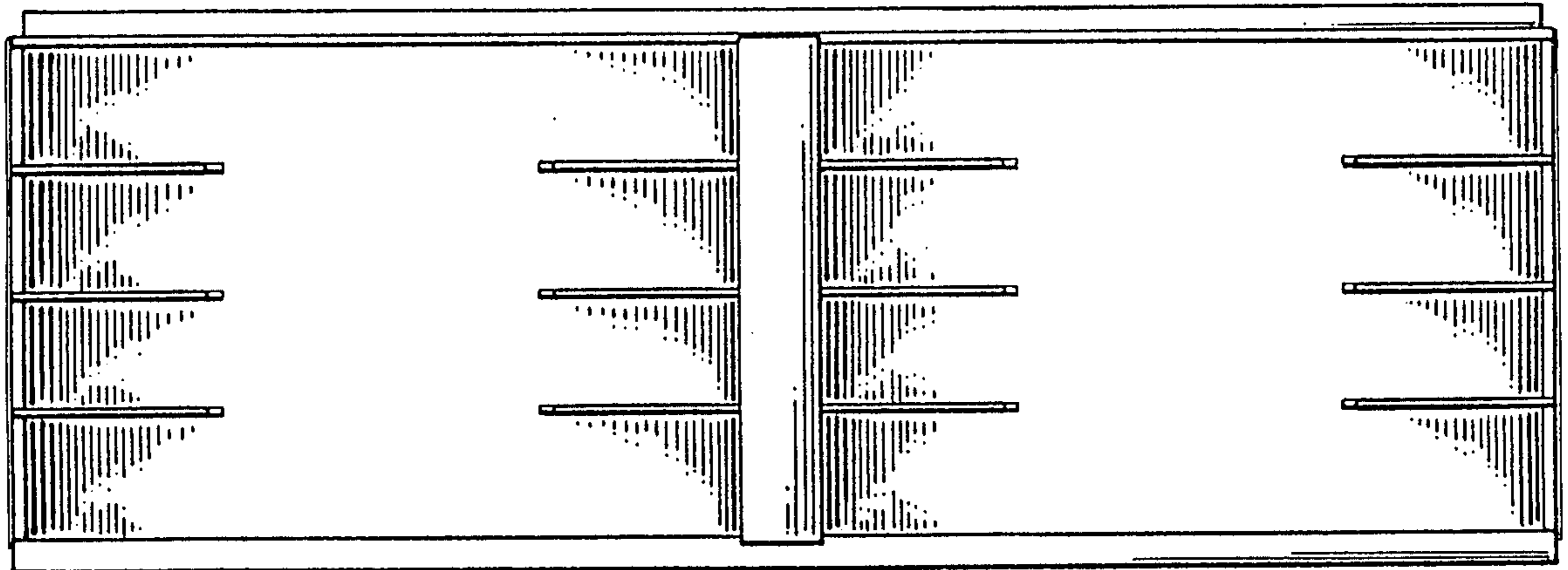


FIG. 8

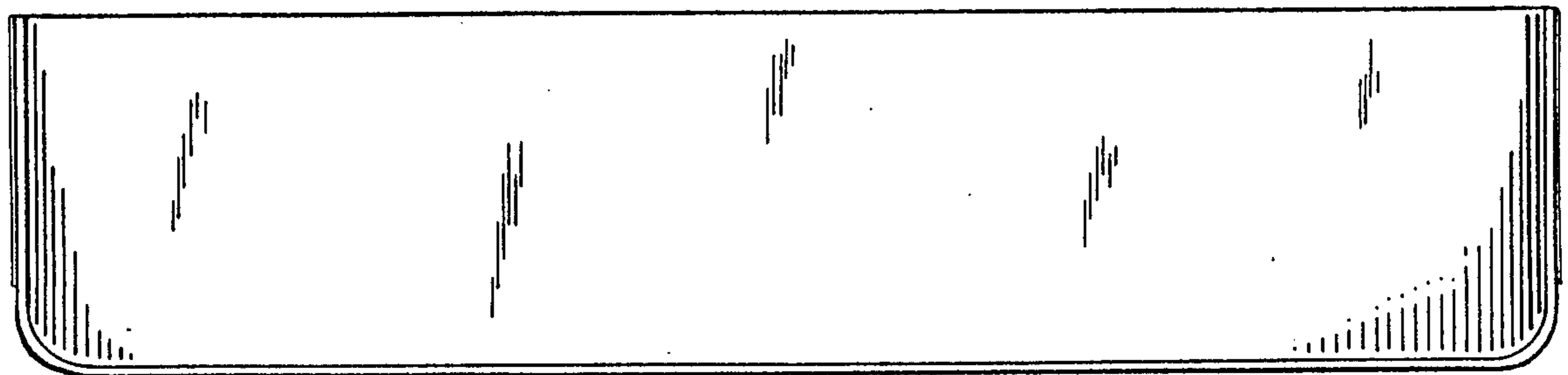


FIG. 9

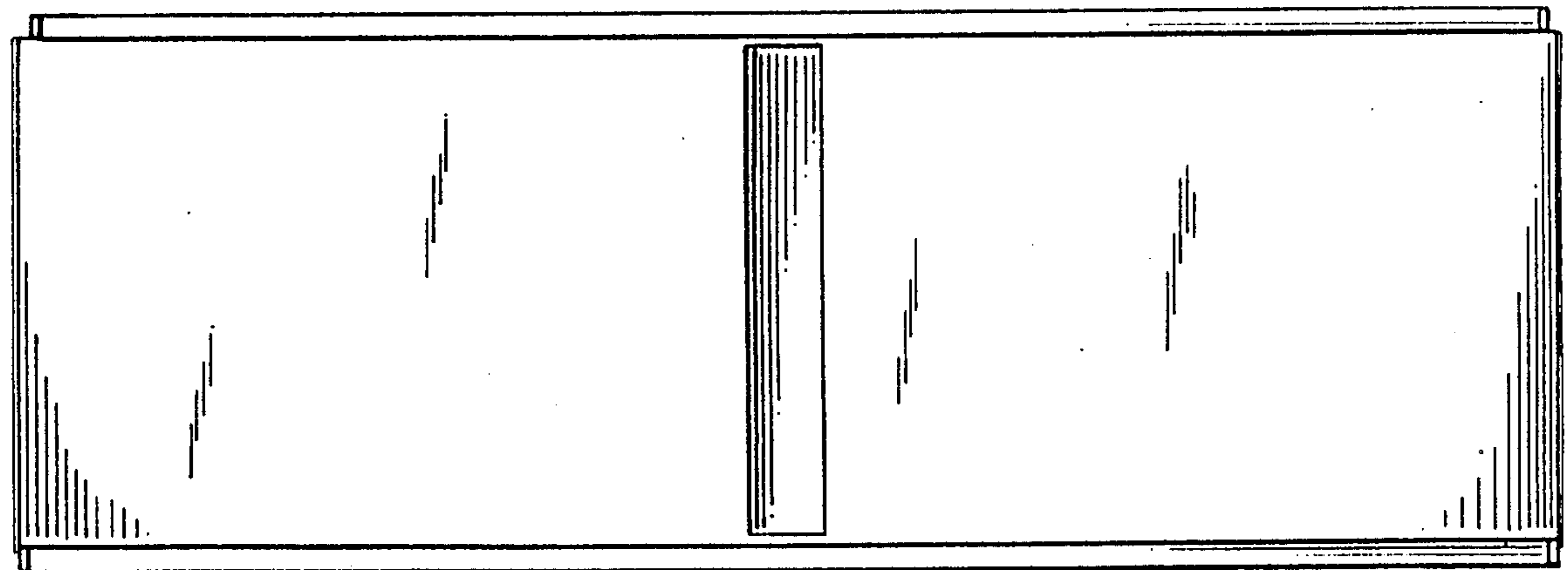
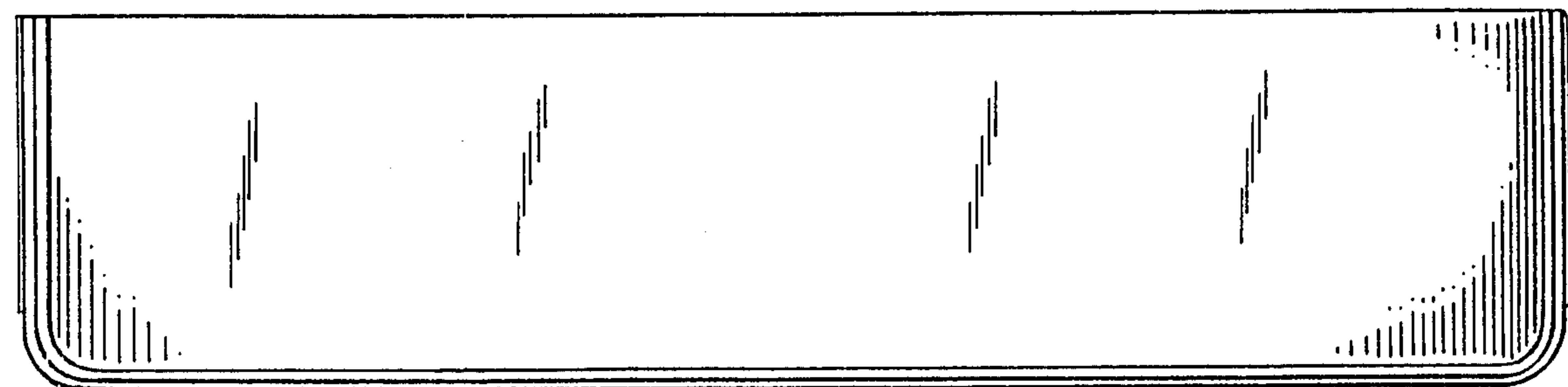


FIG. 10



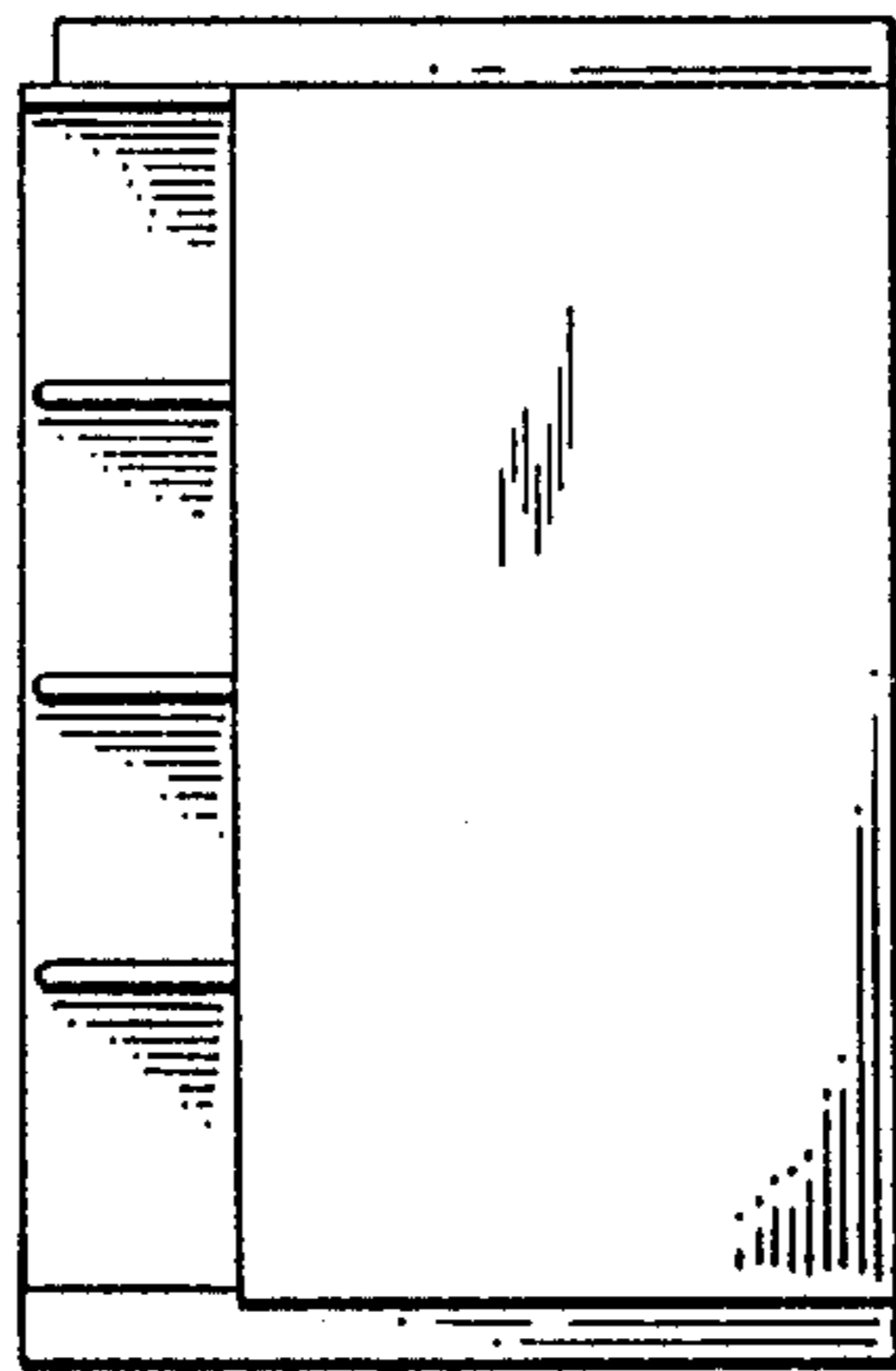


FIG. 11

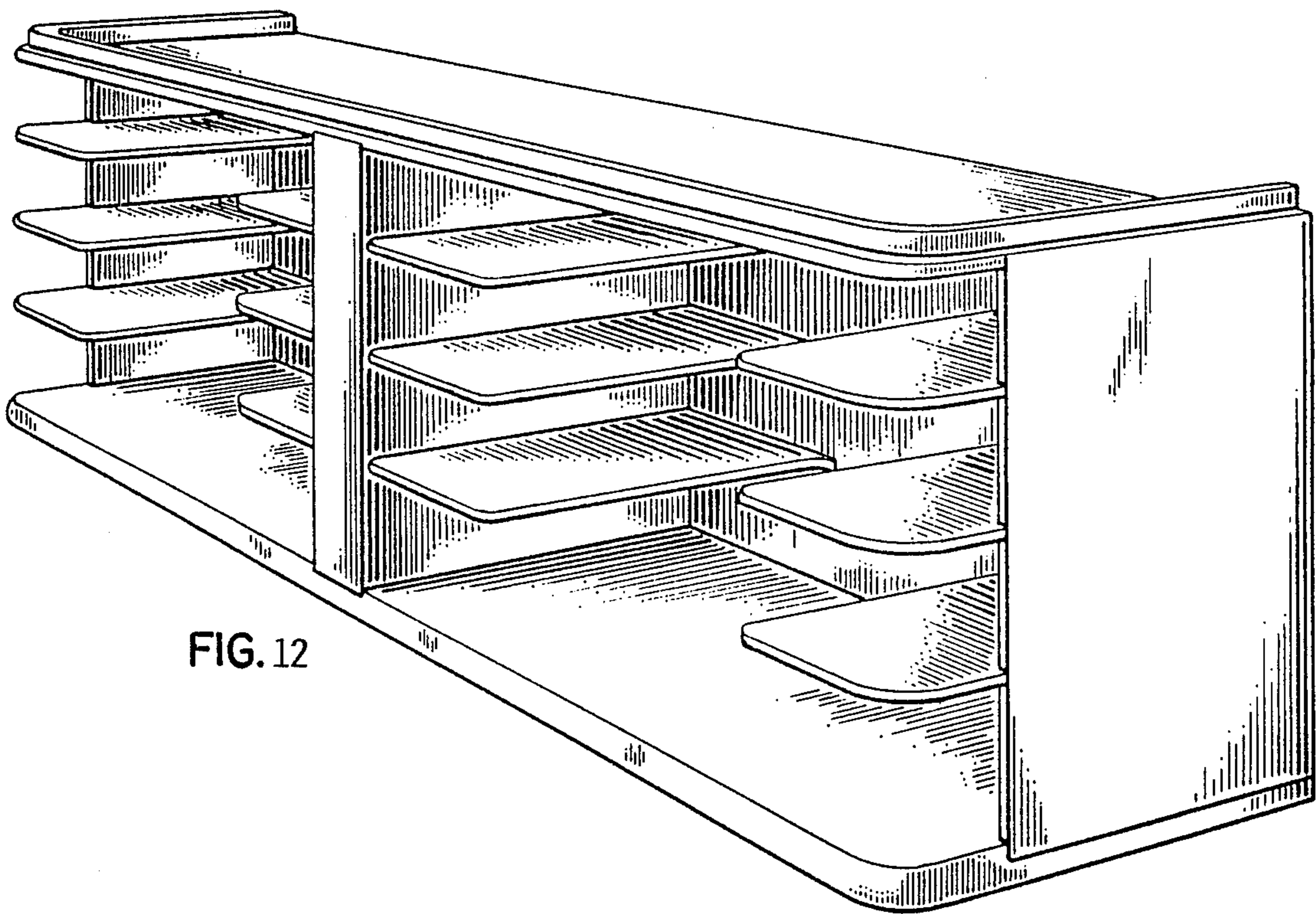


FIG. 12