

[54] **CORDLESS TELEPHONE POUCH**

[76] **Inventor: James T. R. Powell, c/o Alfieri, 6124
NW. 18th Ct., Margate, Fla. 33064**

[**] **Term: 14 Years**

[21] **Appl. No.: 787,479**

[22] **Filed: Oct. 15, 1985**

[52] **U.S. Cl. D3/106**

[58] **Field of Search D3/100, 101, 102, 103,
D3/104, 105, 106, 79; 455/100; 224/252, 236**

[56] **References Cited**

U.S. PATENT DOCUMENTS

- D. 251,569 4/1979 Johnson D2/400
- D. 266,204 9/1982 Berman D2/400
- 1,968,767 7/1934 Howard 224/253

- 2,439,408 4/1948 Mitchell 179/179
- 2,700,492 1/1955 Baetzing 224/240
- 3,298,579 1/1967 Smith D21/234 X
- 3,813,017 5/1974 Pimsleur 224/901 X
- 4,479,596 10/1984 Swanson 224/236

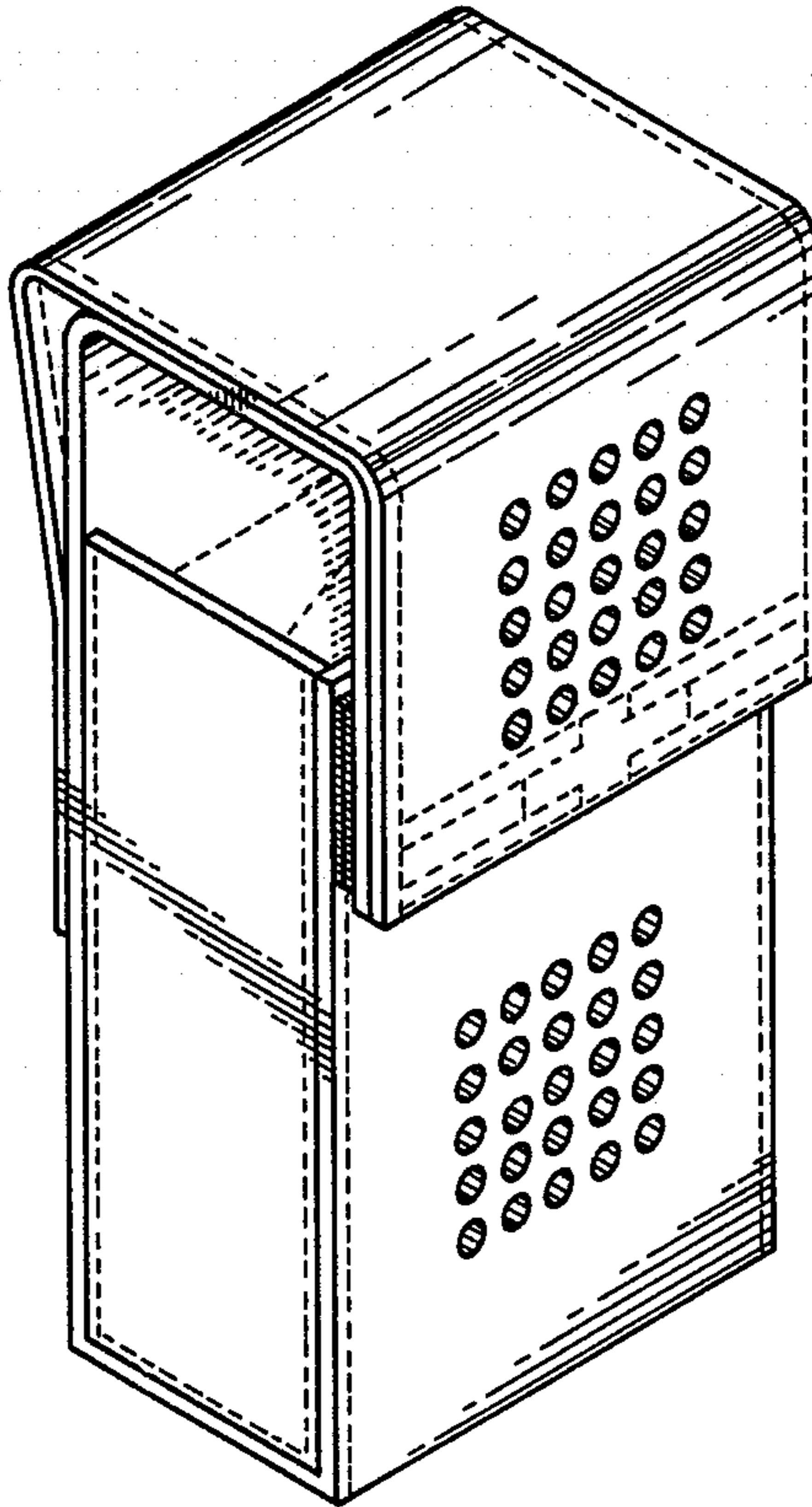
Primary Examiner—Carmen H. Vales
Attorney, Agent, or Firm—W. C. Tupman

[57] **CLAIM**

The ornamental design for a cordless telephone pouch, as shown and described.

DESCRIPTION

FIG. 1 is a perspective view of a cordless telephone pouch showing my new design;
FIG. 2 is a side elevational view thereof;
FIG. 3 is a top plan view thereof;
FIG. 4 is a rear elevational view thereof; and
FIG. 5 is a bottom plan view thereof.



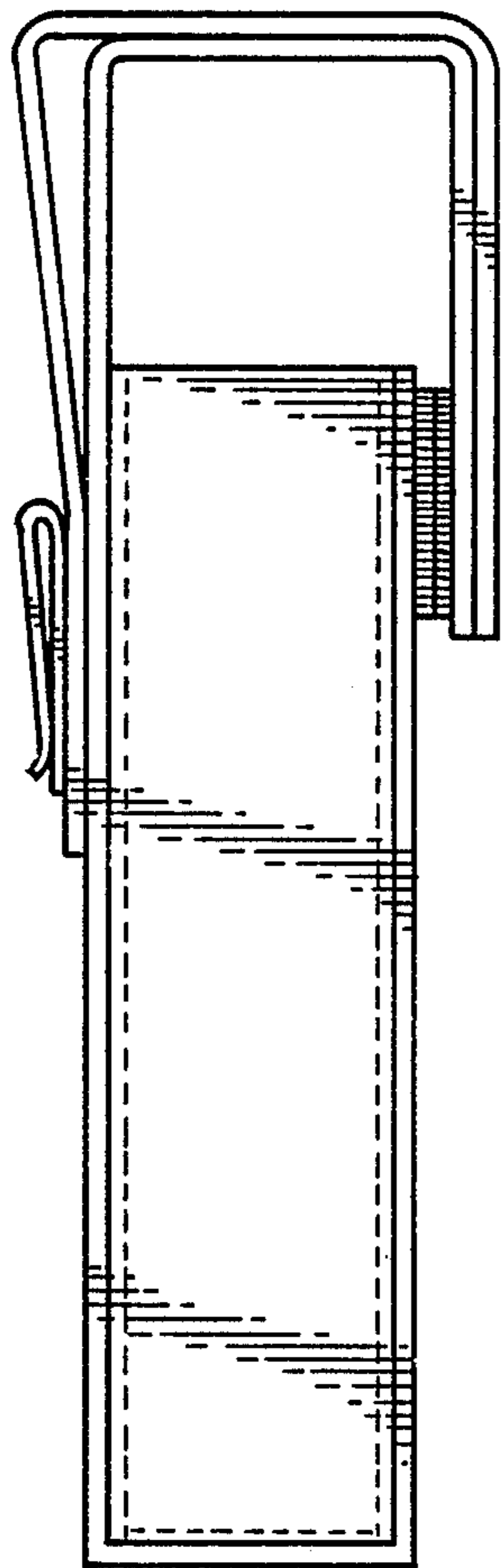


Fig. 2

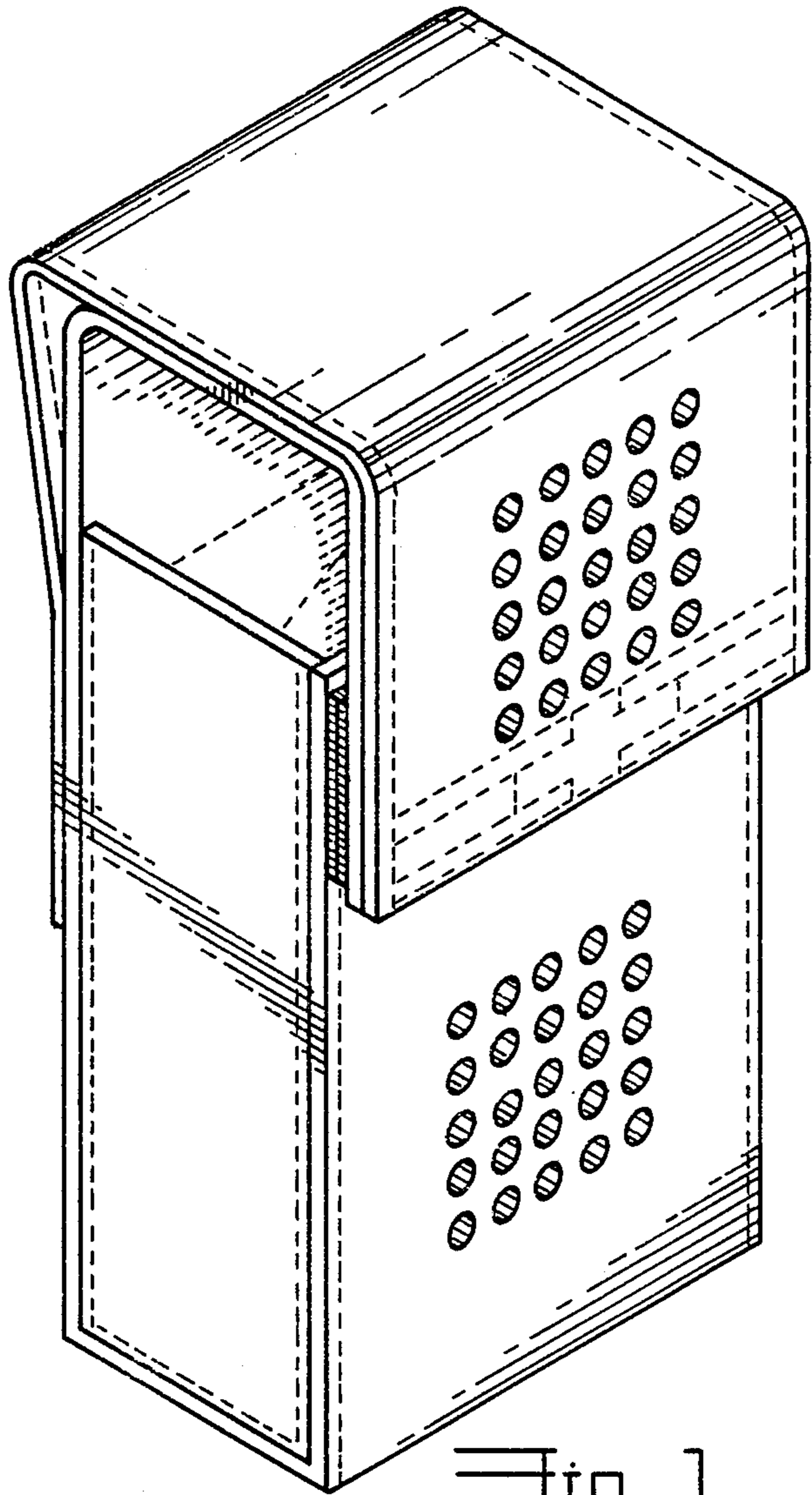


Fig. 1

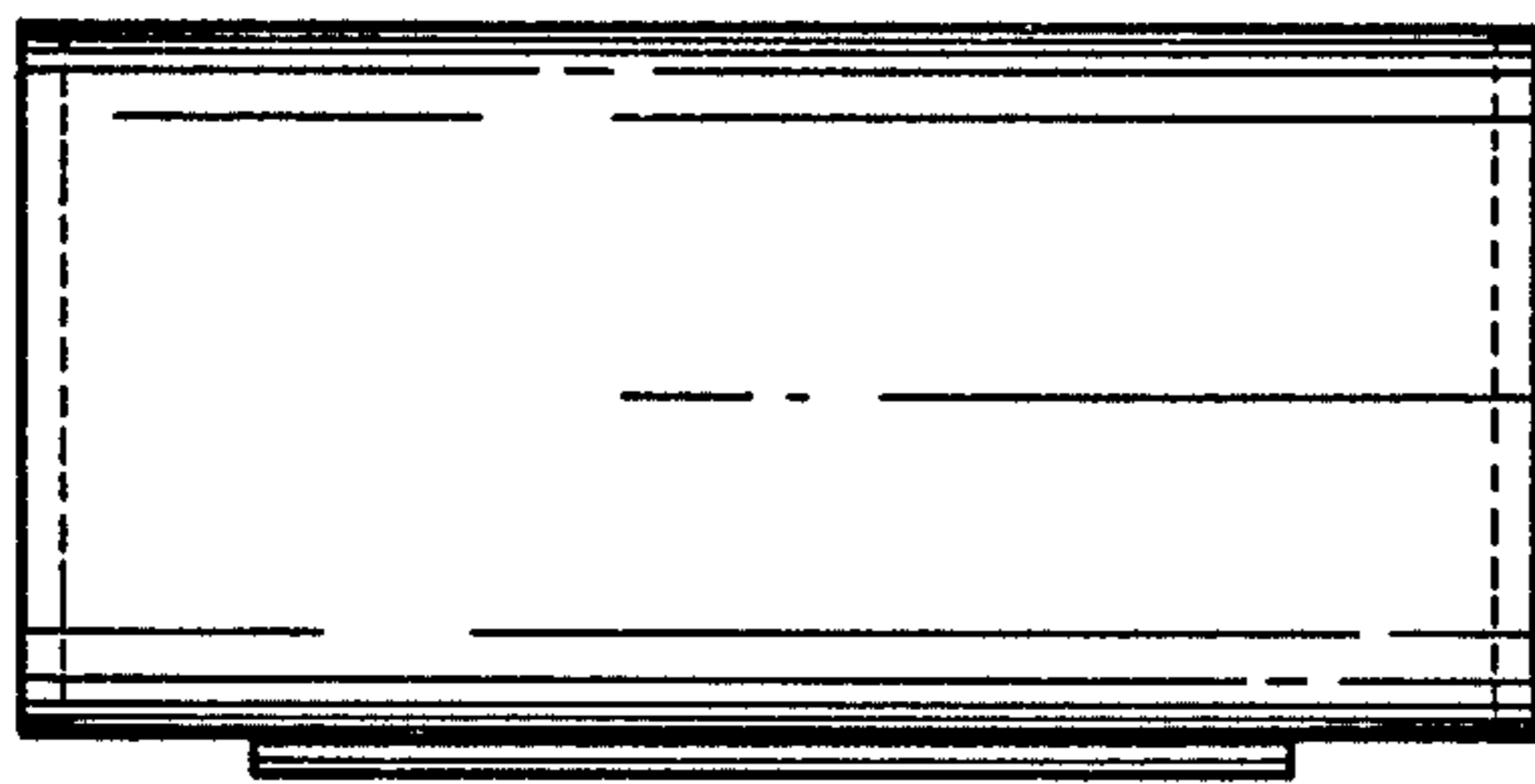


Fig. 3

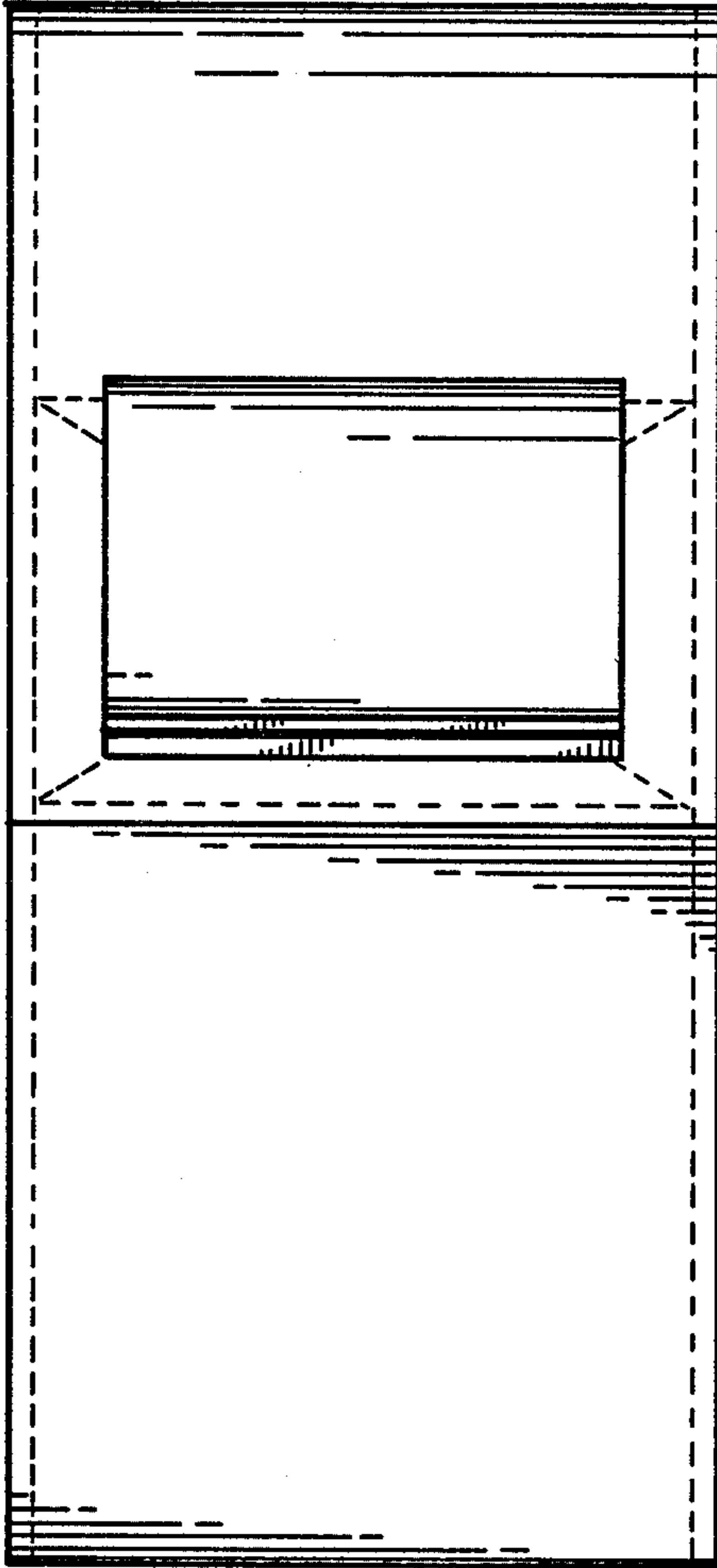


Fig. 4

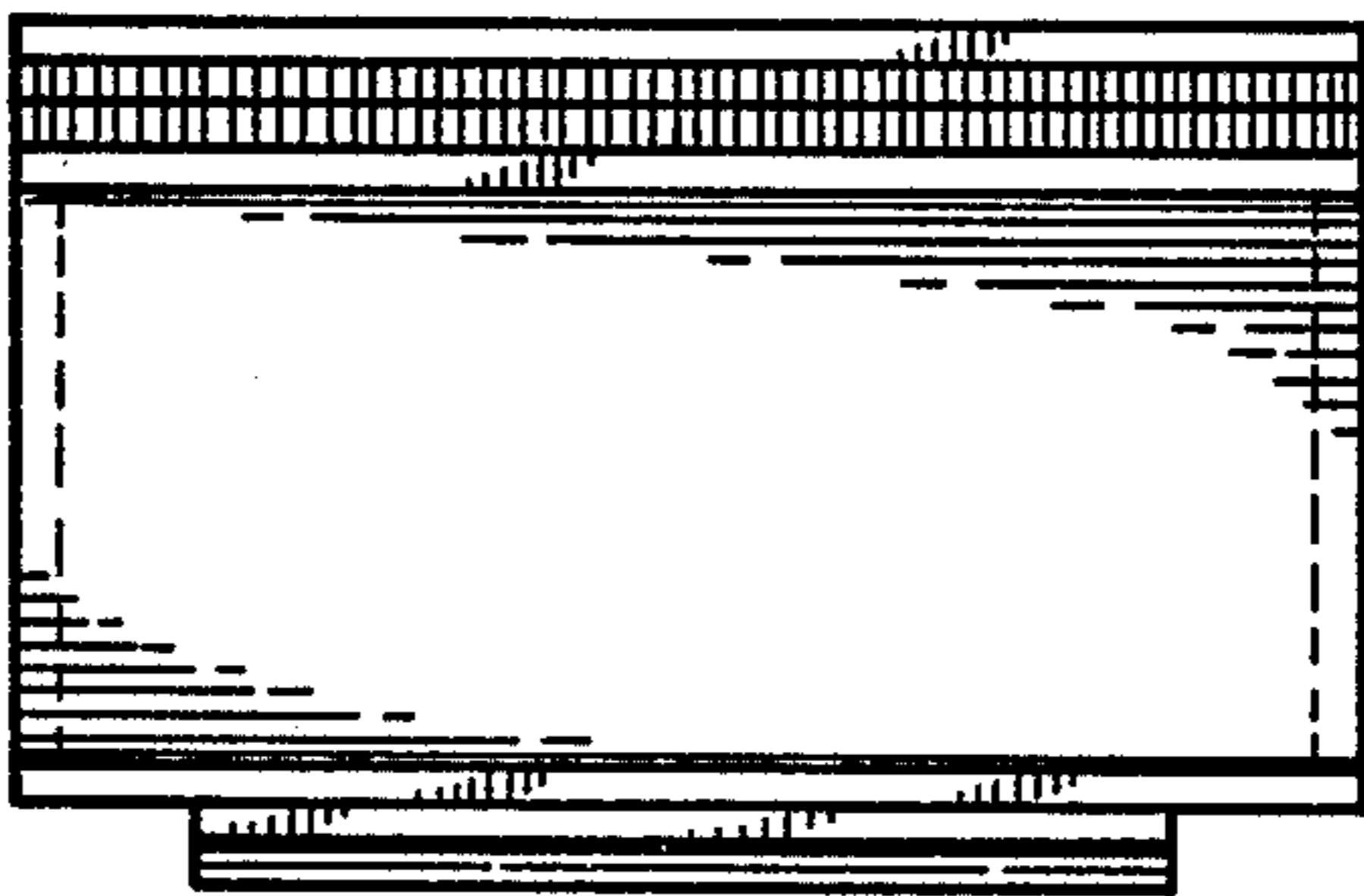


Fig. 5