

[54] **SPOTLIGHT**

[76] **Inventor: Warren K. Parker, 3960 Alomar Dr., Sherman Oaks, Calif. 91423**

[**] **Term: 14 Years**

[21] **Appl. No.: 899,990**

[22] **Filed: Aug. 25, 1986**

[52] **U.S. Cl. D26/24; D26/63**

[58] **Field of Search D26/24, 61-66; 362/269, 275, 285, 291, 310, 311, 362, 418, 427**

[56] **References Cited**

U.S. PATENT DOCUMENTS

- D. 271,043 10/1983 Parker D26/63
- D. 271,527 11/1983 Hershey D26/63
- D. 276,559 11/1984 Krokaugger D26/63

D. 286,578 11/1986 Krokaugger D26/63

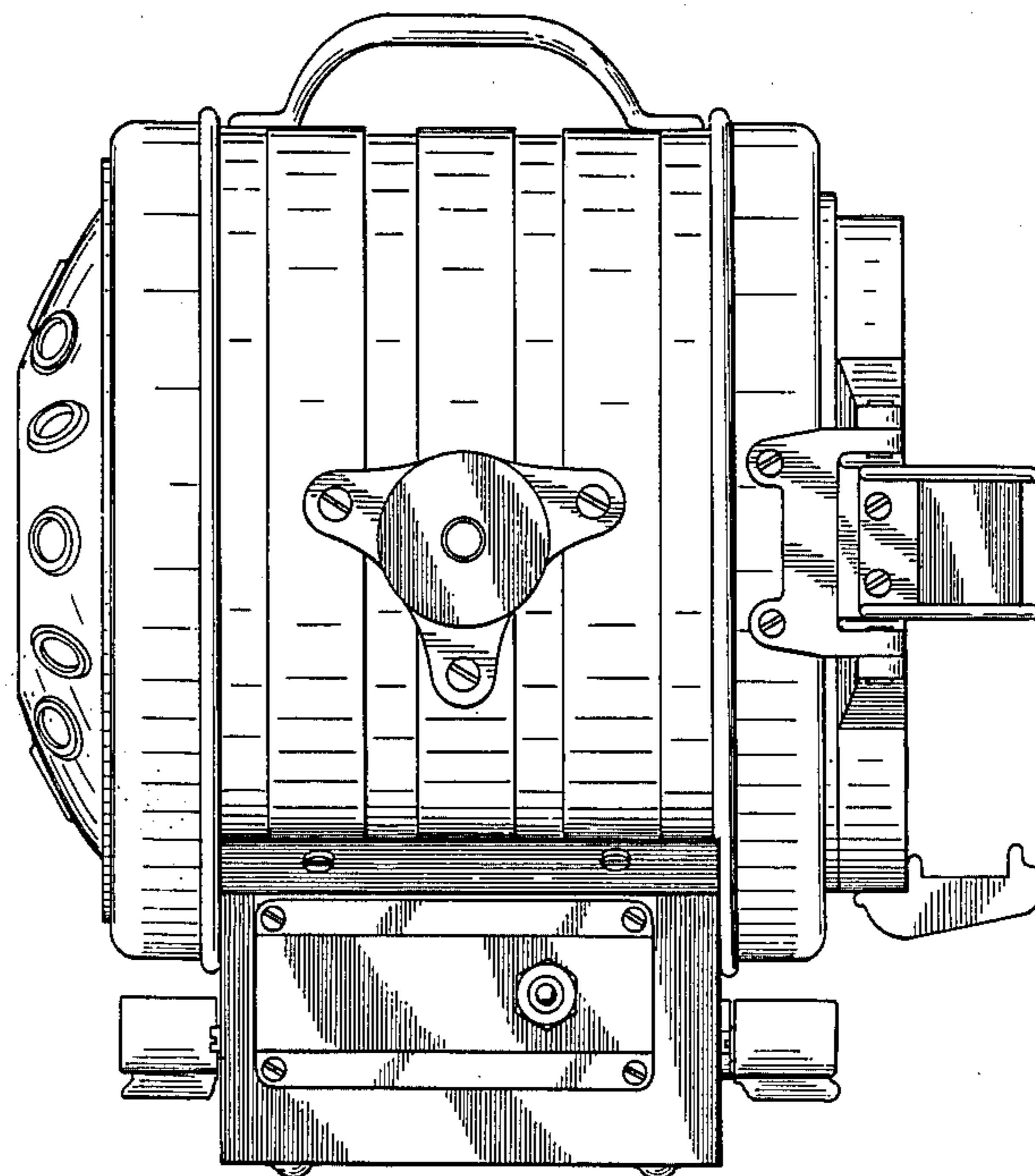
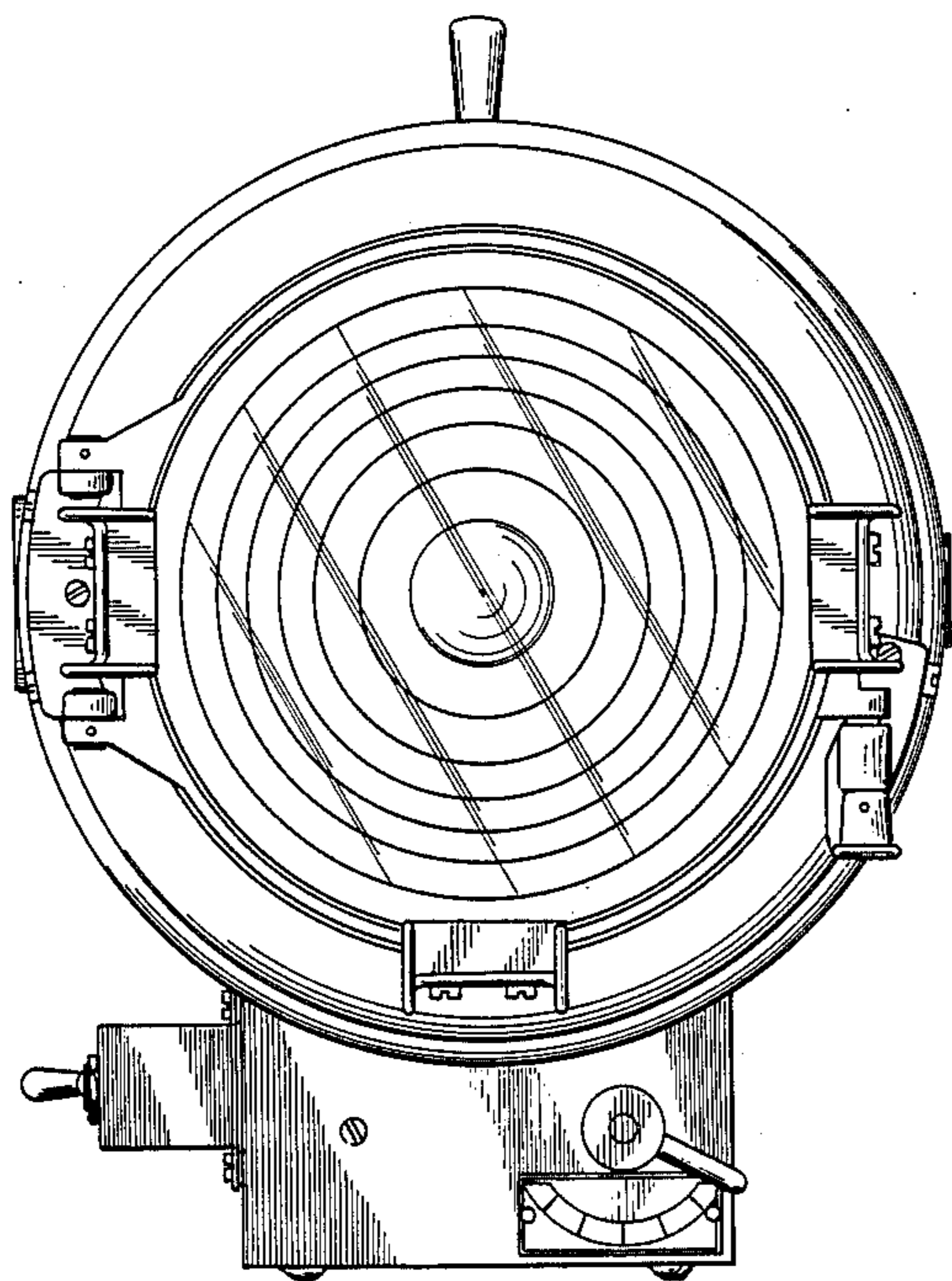
Primary Examiner—Susan J. Lucas
Attorney, Agent, or Firm—Edward A. Sokolski

[57] **CLAIM**

The ornamental design for a spotlight, as shown and described.

DESCRIPTION

FIG. 1 is a front elevational view of my new design for a spotlight.
FIG. 2 is a side elevational view thereof;
FIG. 3 is a top plan view thereof;
FIG. 4 is a rear elevational view thereof;
FIG. 5 is a side elevational view thereof, taken from the side opposite to that of FIG. 2; and
FIG. 6 is a bottom plan view thereof.



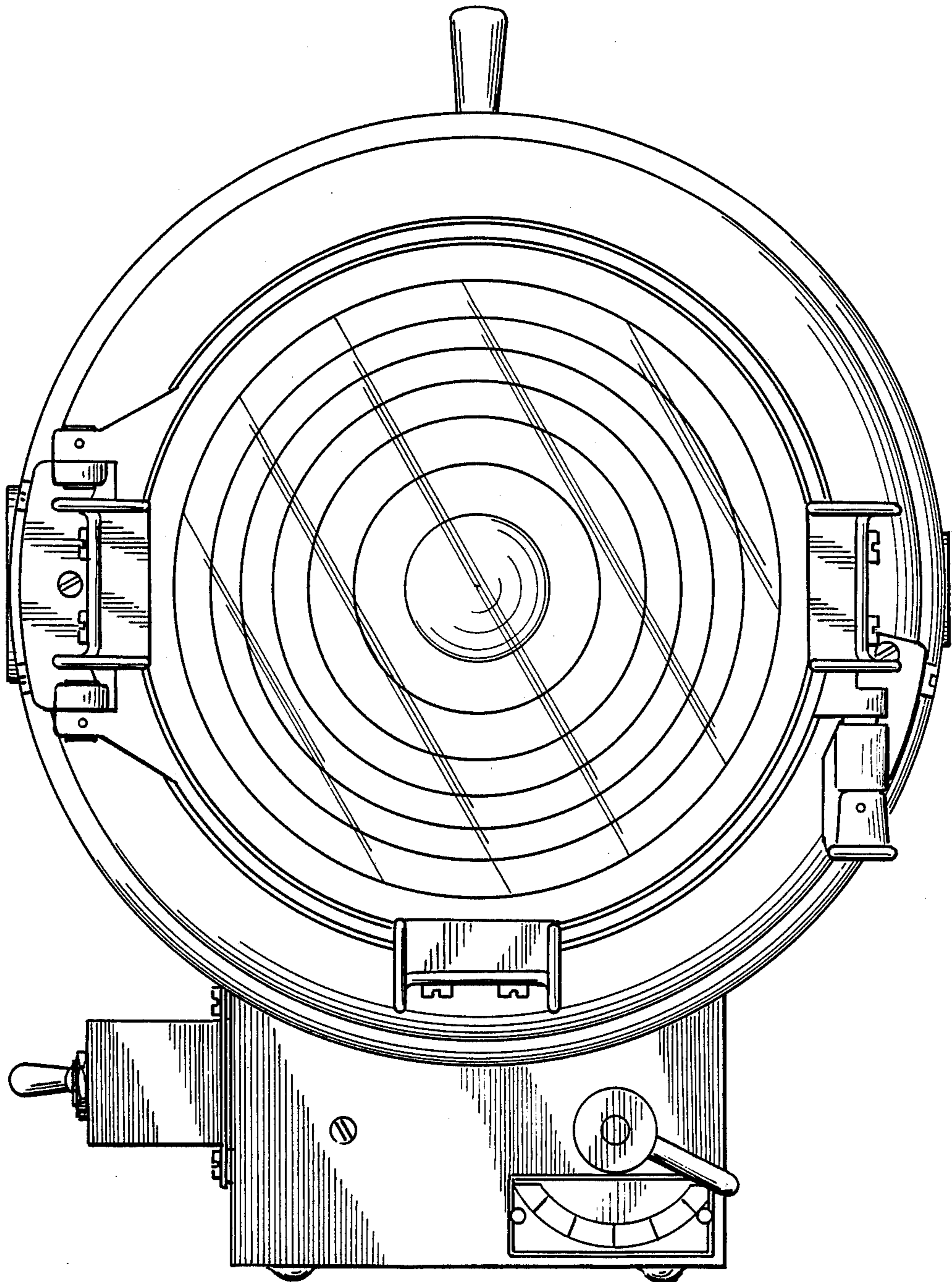


FIG. 1

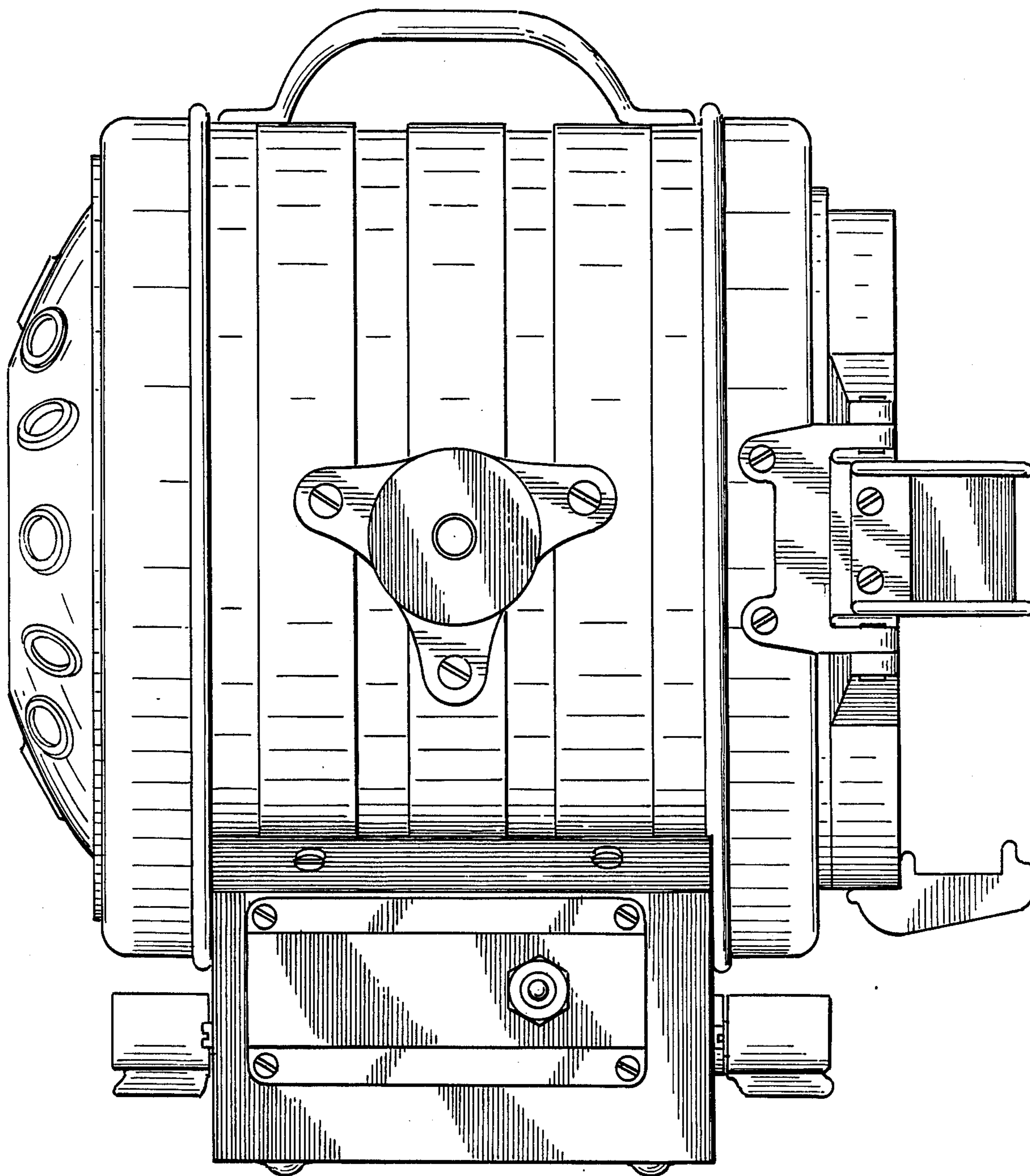


FIG. 2

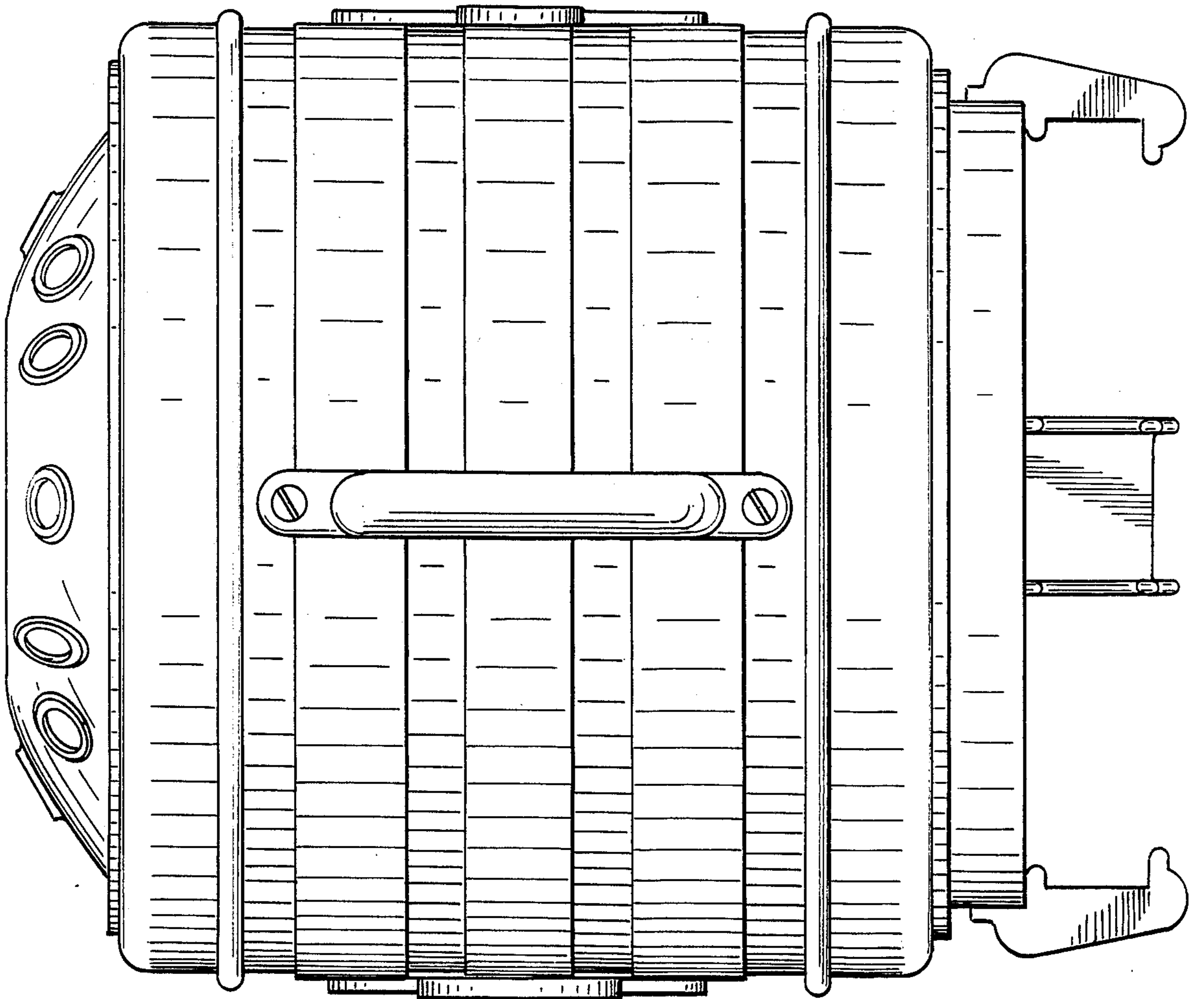


FIG.3

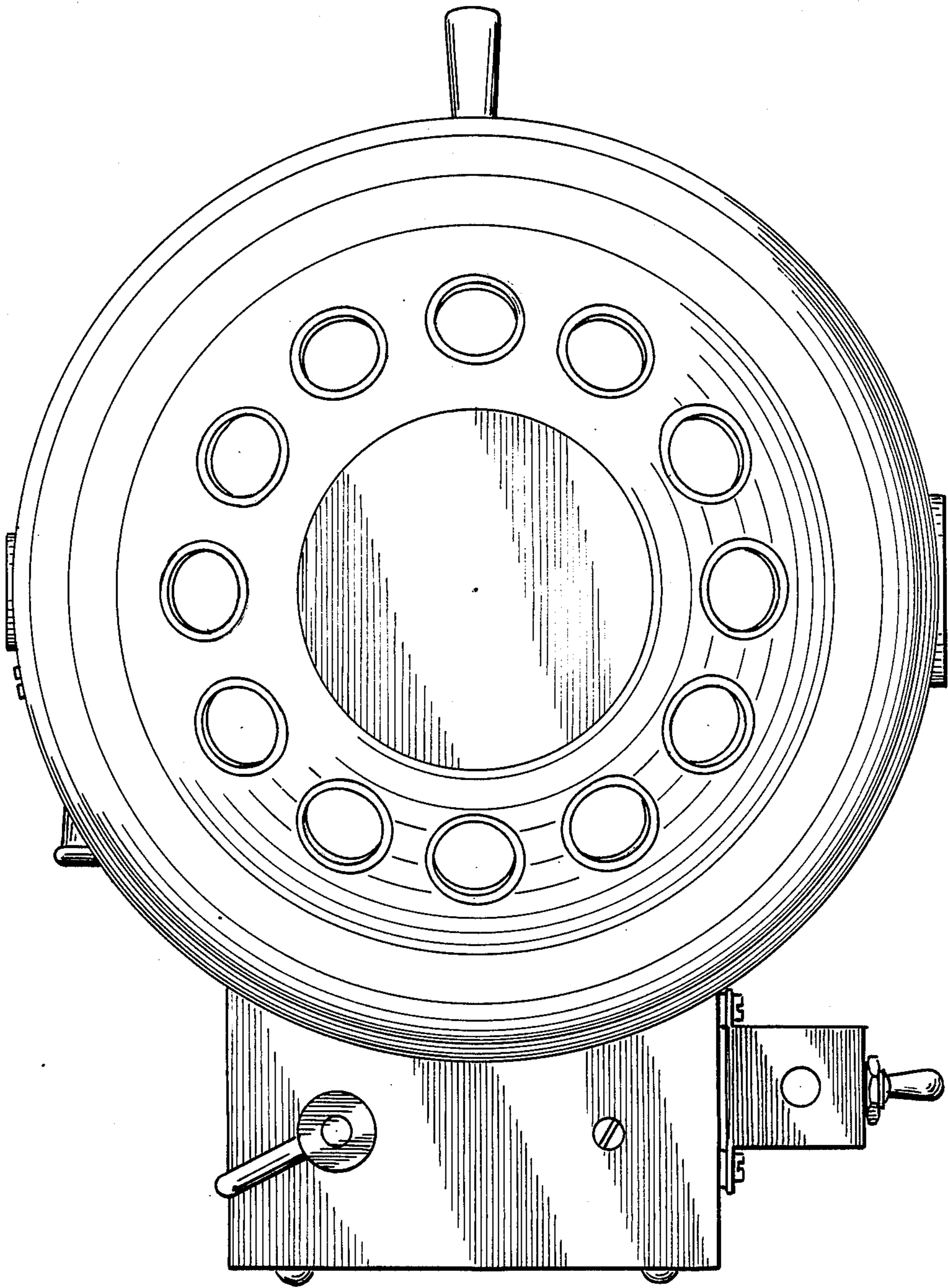


FIG. 4

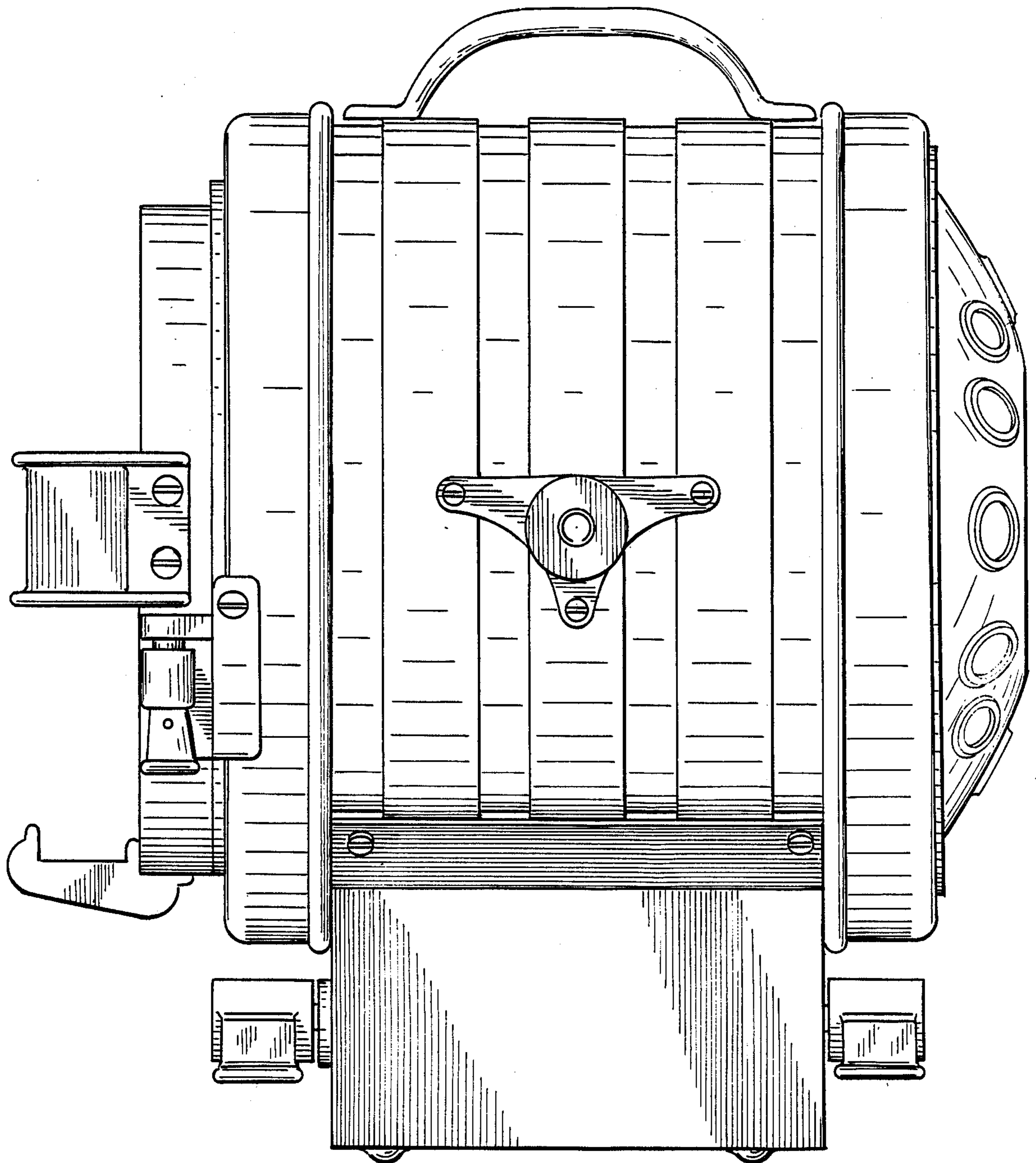


FIG. 5

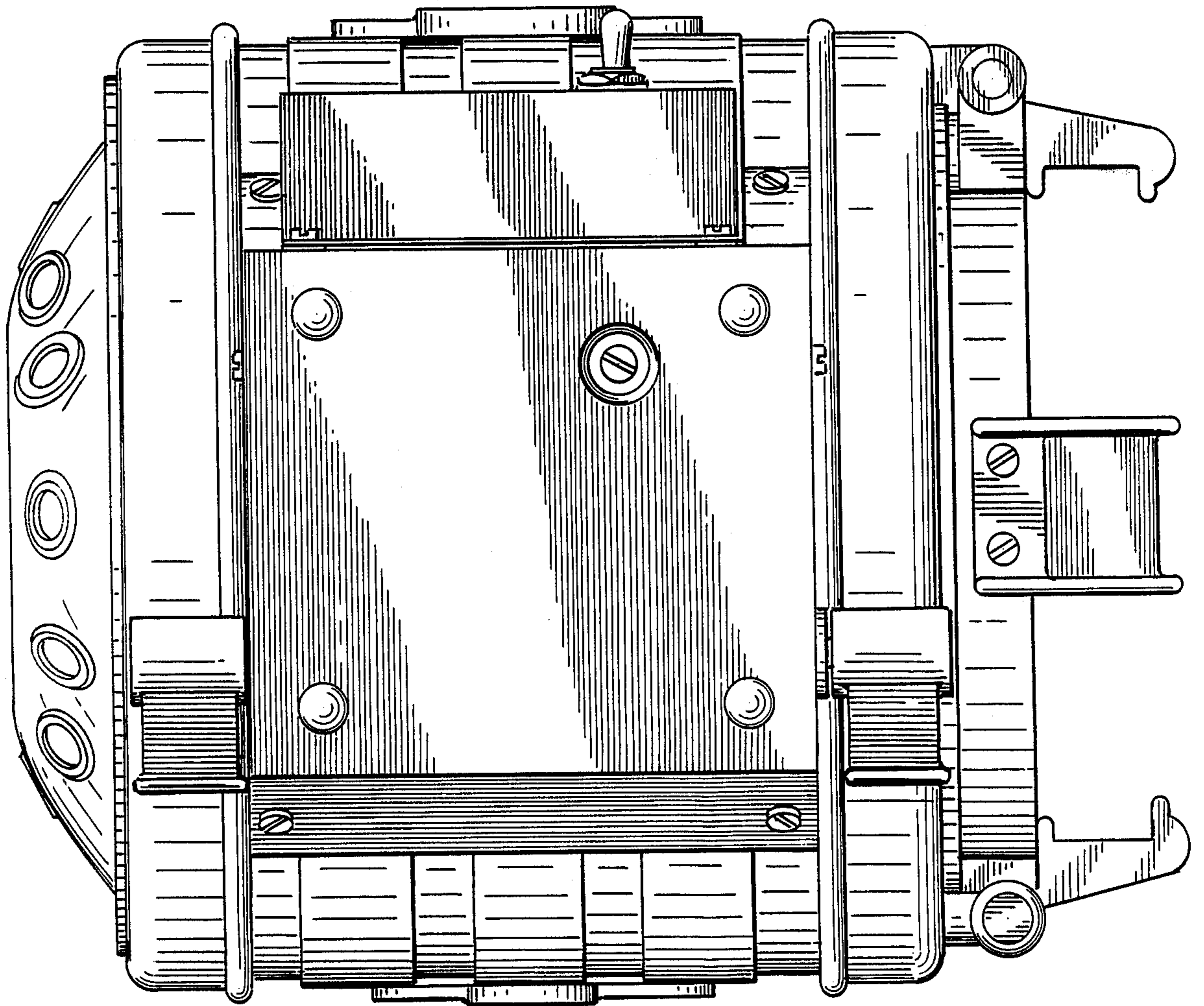


FIG. 6