

# United States Patent [19]

Trani, Sr.

[11] Patent Number: **Des. 297,169**

[45] Date of Patent: **\*\* Aug. 9, 1988**

[54] **TREE STEP**

1,588,566 6/1926 Wismer ..... D25/69 X

[76] Inventor: **Joseph F. Trani, Sr.,** Box 187,  
Seventh St., Flagtown, N.J. 08821

*Primary Examiner*—A. Hugo Word  
*Attorney, Agent, or Firm*—Kenneth P. Glynn

[\*\*] Term: **14 Years**

[57] **CLAIM**

[21] Appl. No.: **791,707**

The ornamental design for a tree step, as shown and described.

[22] Filed: **Oct. 28, 1985**

[52] U.S. Cl. .... **D25/69**

[58] Field of Search ..... 182/189, 187, 92, 90,  
182/100, 22; D25/68, 69

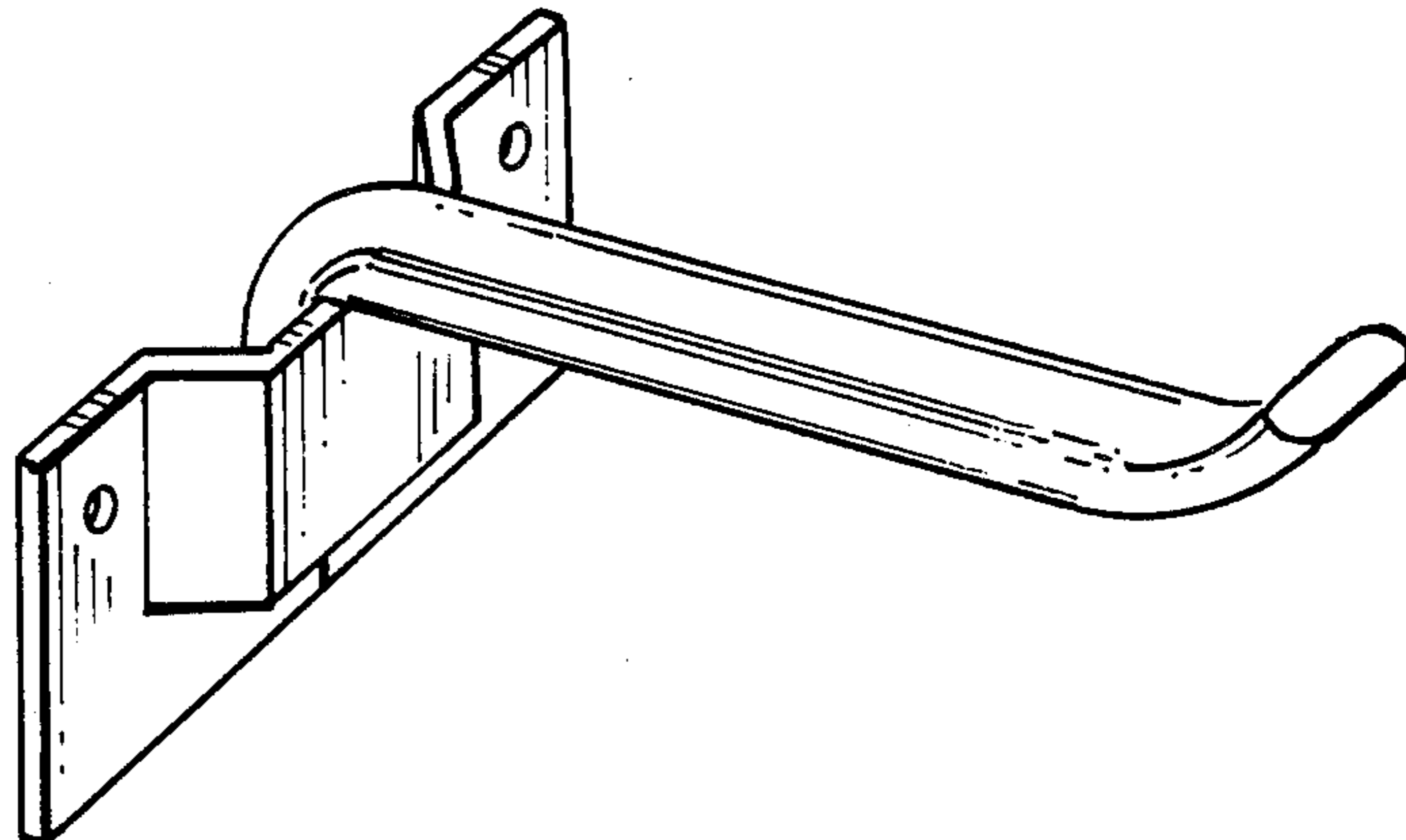
**DESCRIPTION**

[56] **References Cited**

**U.S. PATENT DOCUMENTS**

D. 42,598 6/1912 White ..... D25/69  
D. 242,548 11/1976 Zane ..... D25/69

FIG. 1 is a perspective view of a tree step showing my new design;  
FIG. 2 is a left side view thereof and is the mirror image of the right side view thereof;  
FIG. 3 is a top view thereof;  
FIG. 4 is a bottom view thereof;  
FIG. 5 is a front view thereof; and,  
FIG. 6 is a back view thereof.



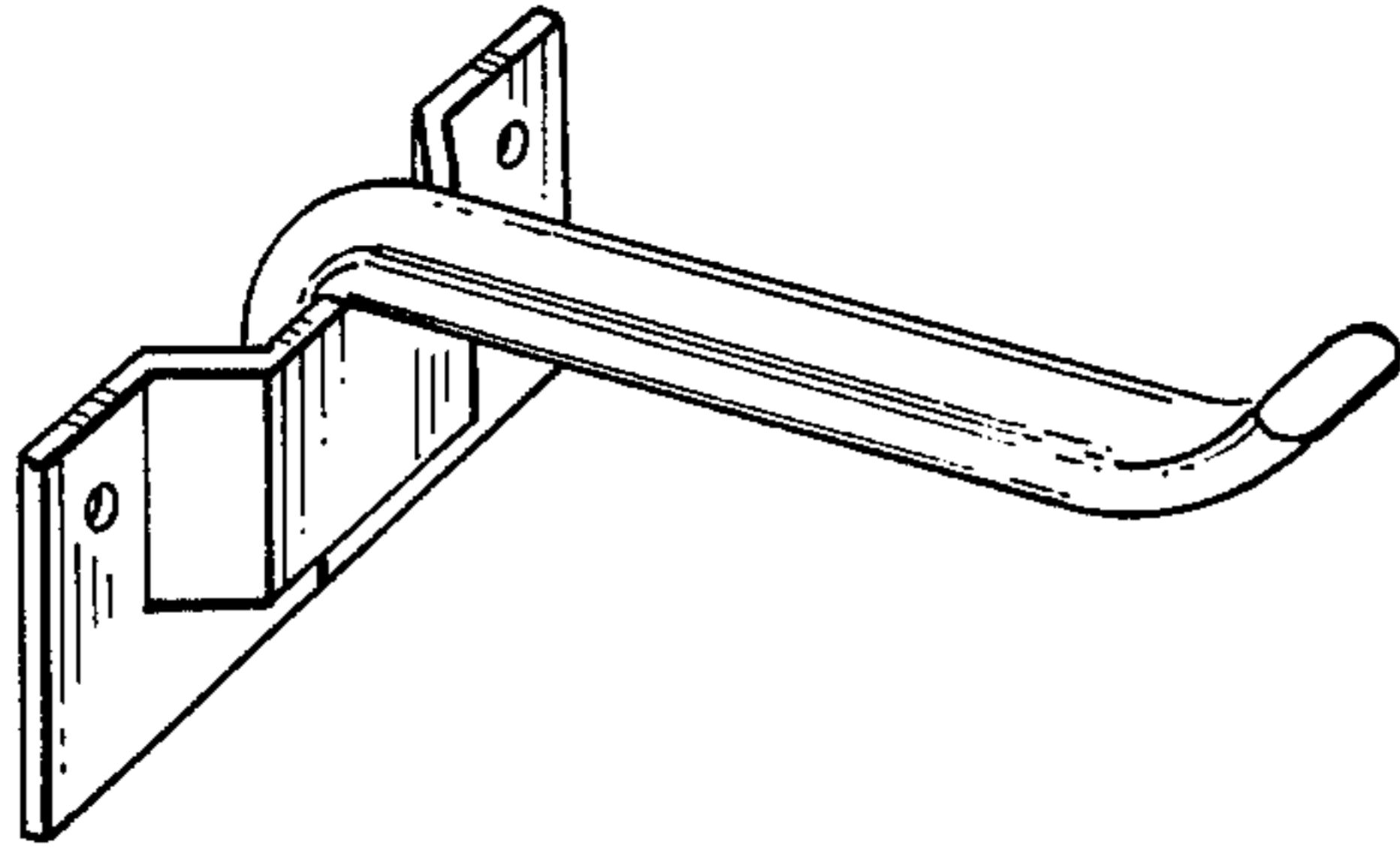


FIG. 1

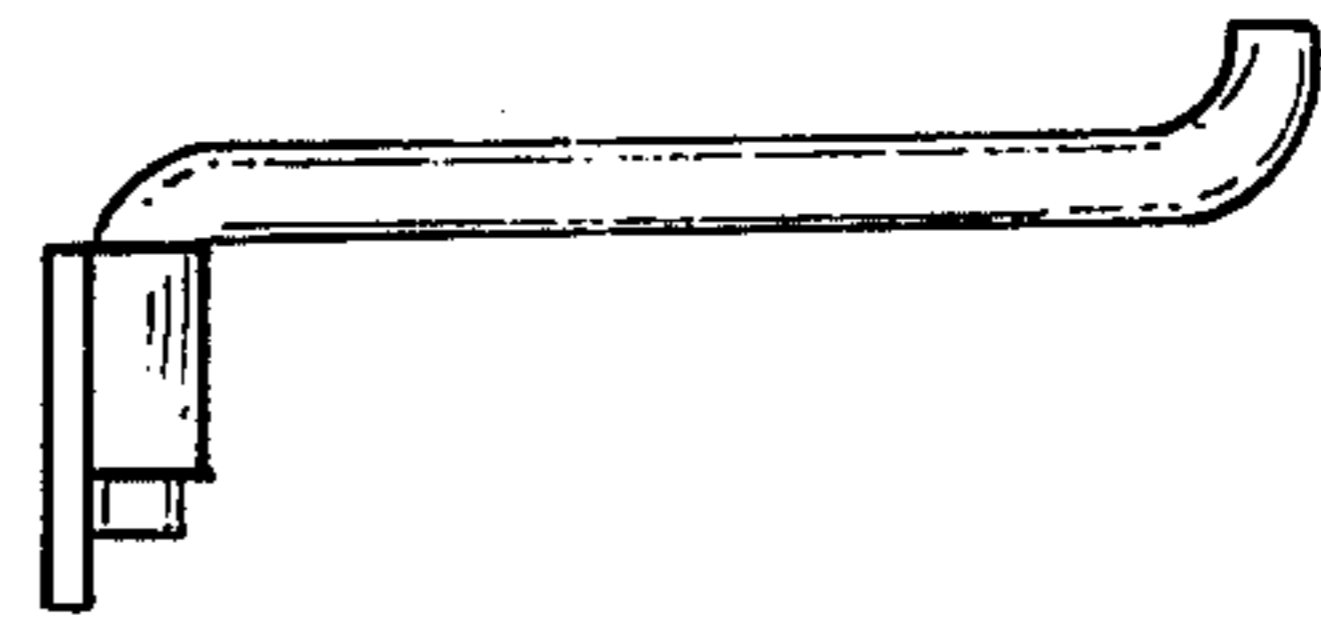


FIG. 2

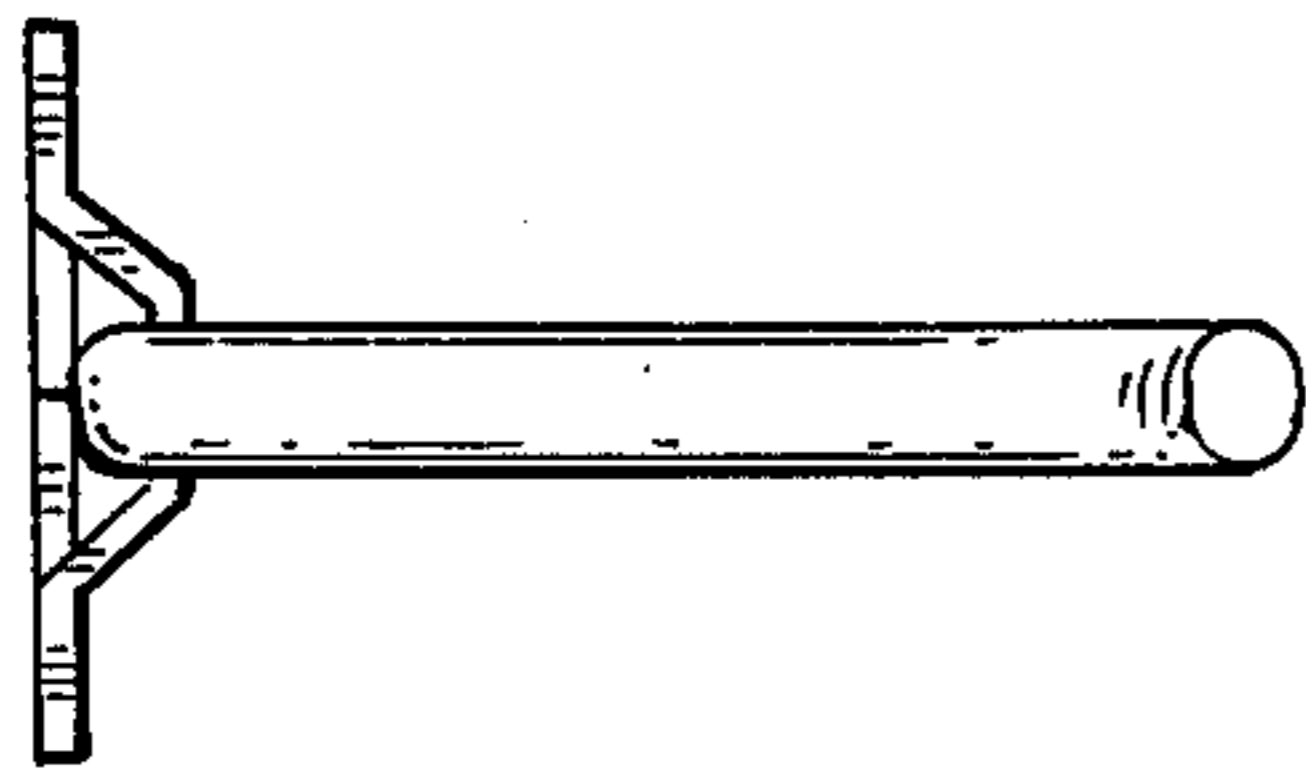


FIG. 3



FIG. 4

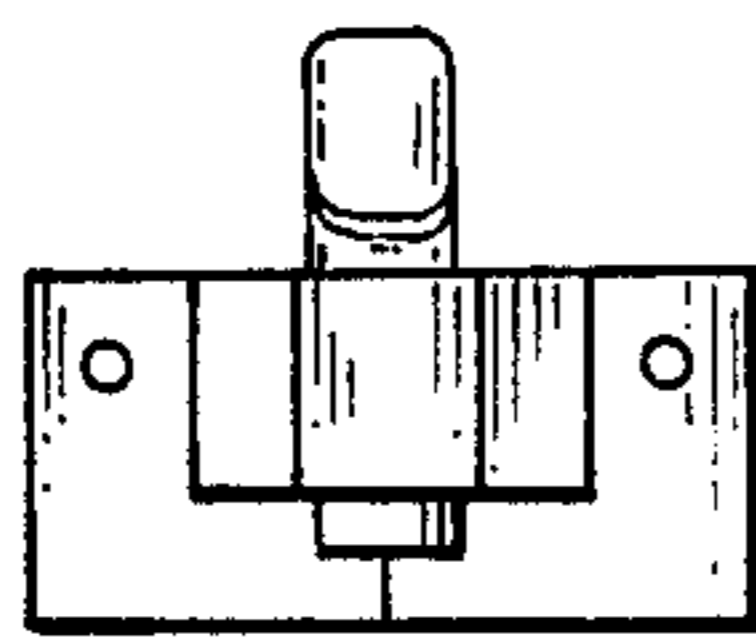


FIG. 5

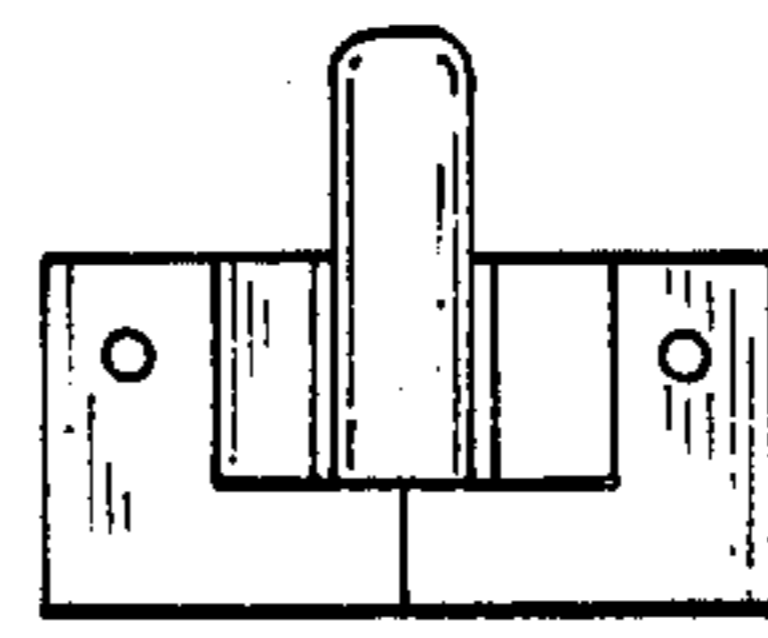


FIG. 6