

[54] TRANSCUTANEOUS ELECTRICAL NERVE STIMULATOR

[75] Inventors: Zosim Ioffe, St. Paul, Minn.; Stephen H. Ober, Salt Lake City, Utah; Donald D. Maurer, Anoka, Minn.

[73] Assignee: Empi, Inc., St. Paul, Minn.

[**] Term: 14 Years

[21] Appl. No.: 754,355

[22] Filed: Jul. 12, 1985

[52] U.S. Cl. D24/41; D24/36; D24/40

[58] Field of Search D24/36, 40, 41; 128/419 R, 419 P, 421, 422

[56] References Cited

U.S. PATENT DOCUMENTS

D. 246,173	10/1977	Levin	D24/36 X
D. 254,934	5/1980	Walus	D24/36
D. 261,552	10/1981	Boroda	D24/36 X
4,121,594	10/1978	Miller et al.	128/422
4,147,171	4/1979	Green et al.	128/421

OTHER PUBLICATIONS

Brochure of Neuromedics, Inc. for UltraStim Stimulator (c)1984 (Exhibit A).

Brochure of Medtronic for Selectra Stimulator (Exhibit B).

Brochure of Empi, Inc. for EPIX, Publication No. 053083 (c)1983 (Exhibit C).

Primary Examiner—Wallace R. Burke

Assistant Examiner—Stella M. Reid

Attorney, Agent, or Firm—Kinney & Lange; Kinney & Lange

[57] CLAIM

The ornamental design for a transcutaneous electrical nerve stimulator, as shown and described.

DESCRIPTION

FIG. 1 is a perspective view of a transcutaneous electrical nerve stimulator showing our new design;

FIG. 2 is a front elevational view thereof;

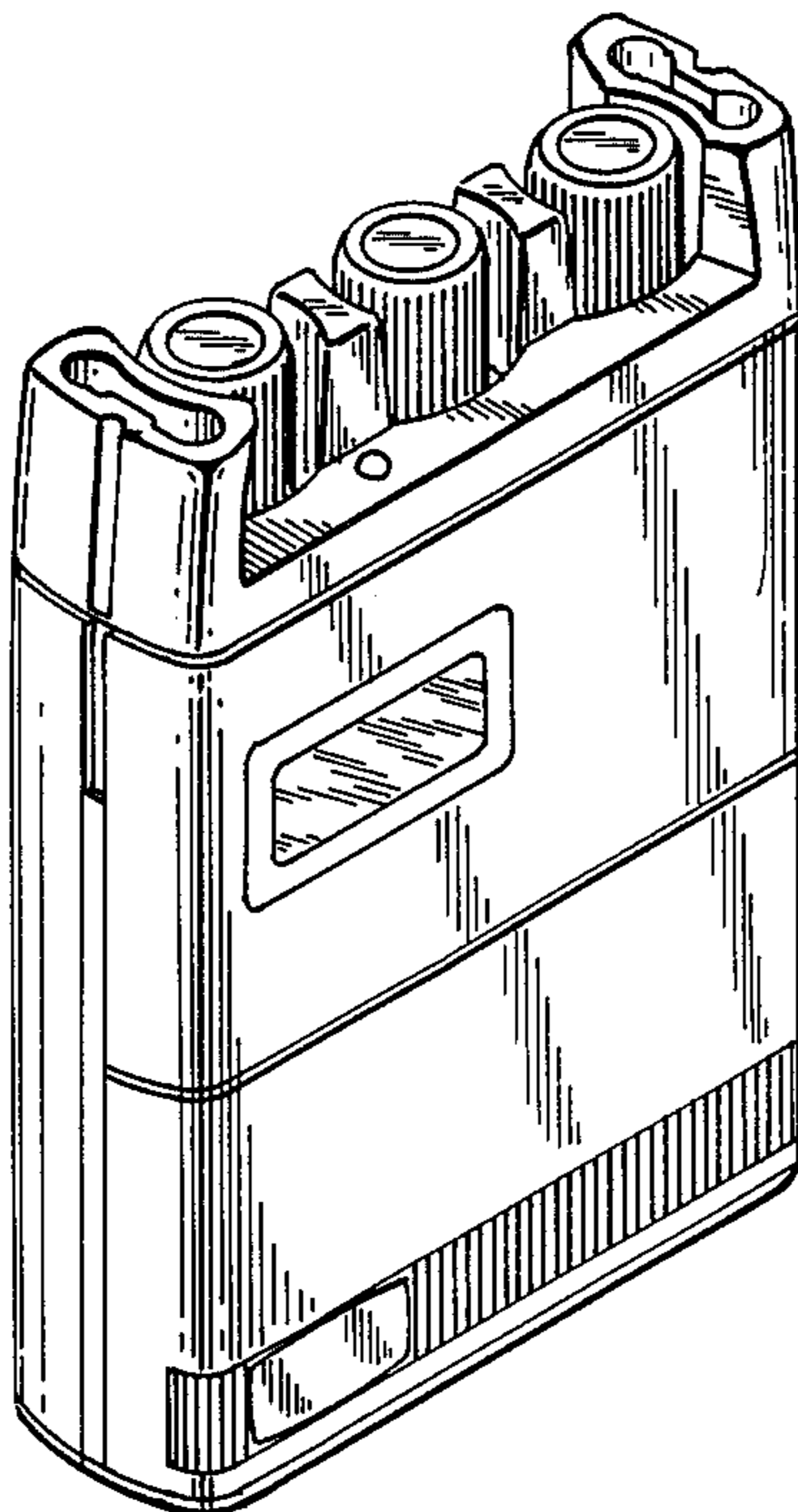
FIG. 3 is a rear elevational view thereof;

FIG. 4 is a side elevational view as seen from the side opposite that shown in FIG. 1;

FIG. 5 is a side elevational view as seen from the side opposite that shown in FIG. 4;

FIG. 6 is a top plan view thereof; and

FIG. 7 is a bottom plan view thereof.



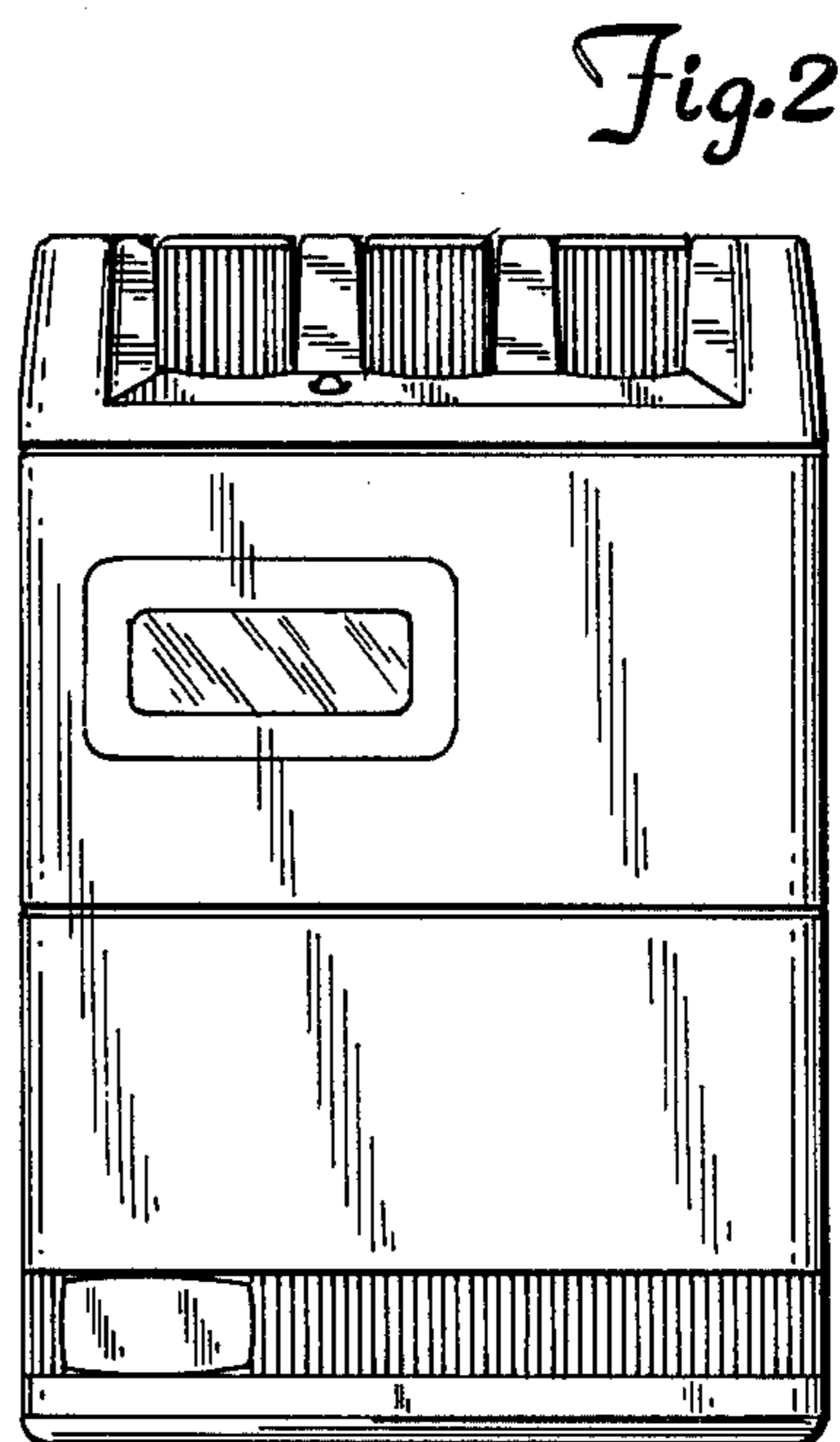
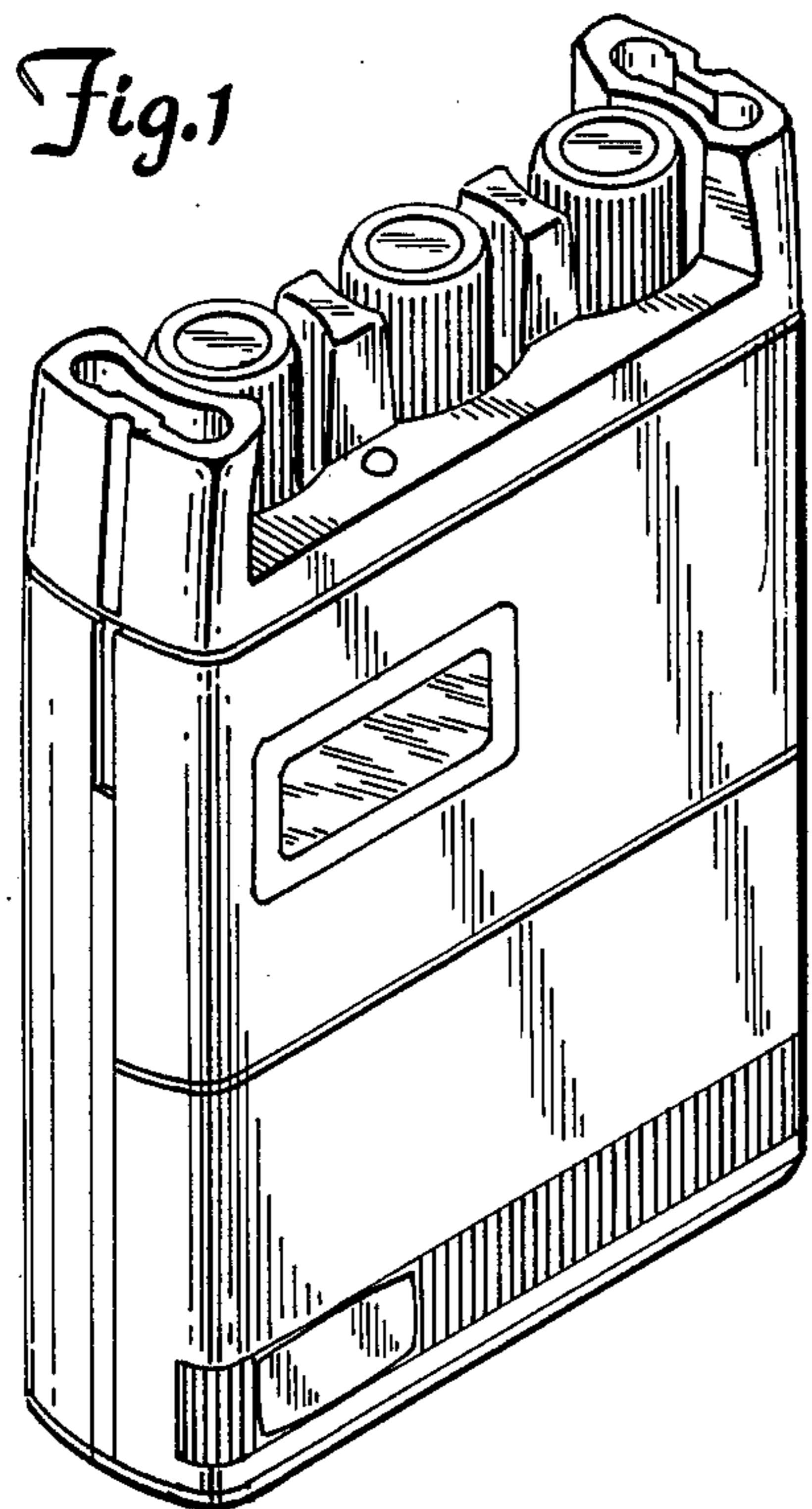


Fig.3

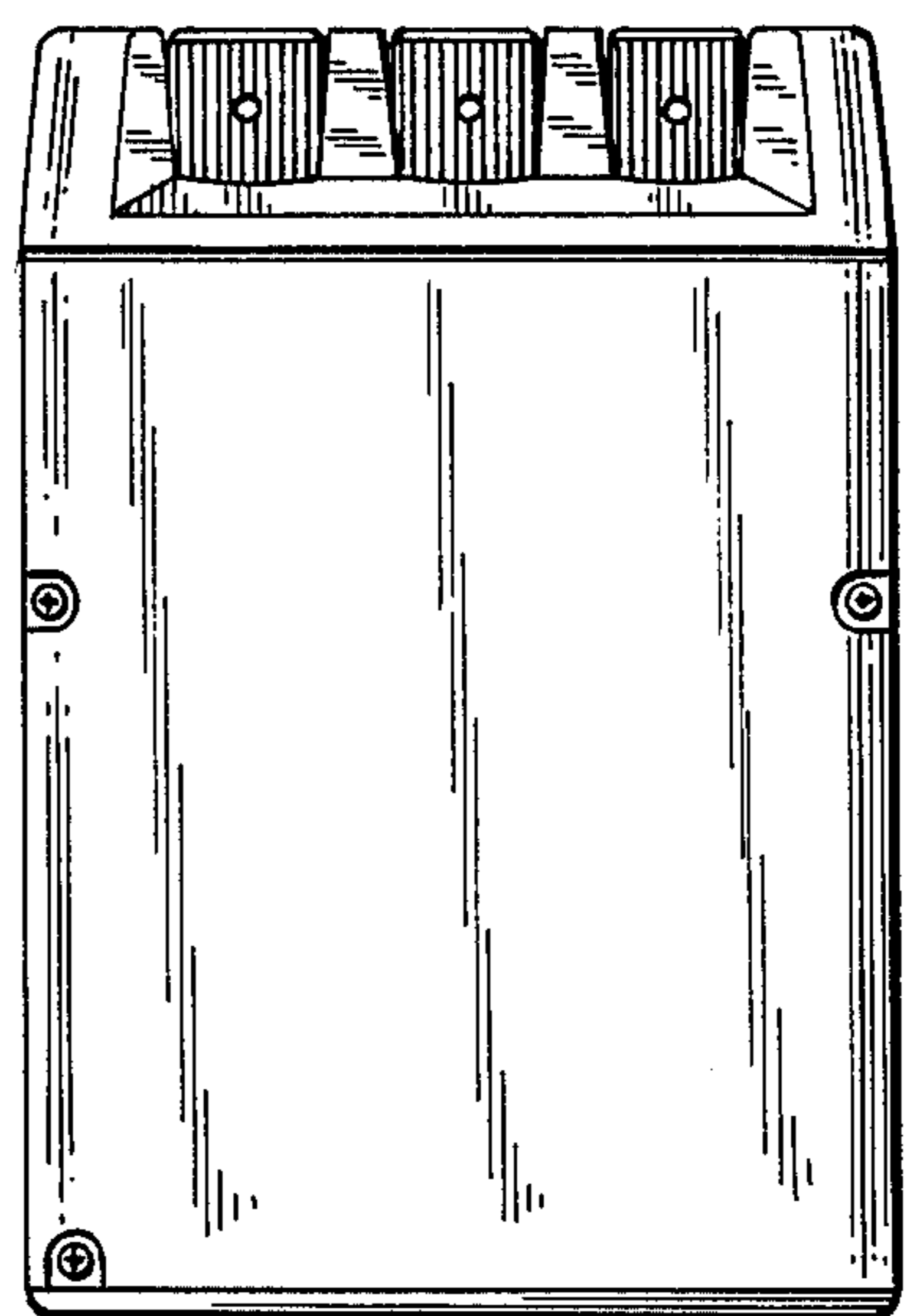


Fig.4

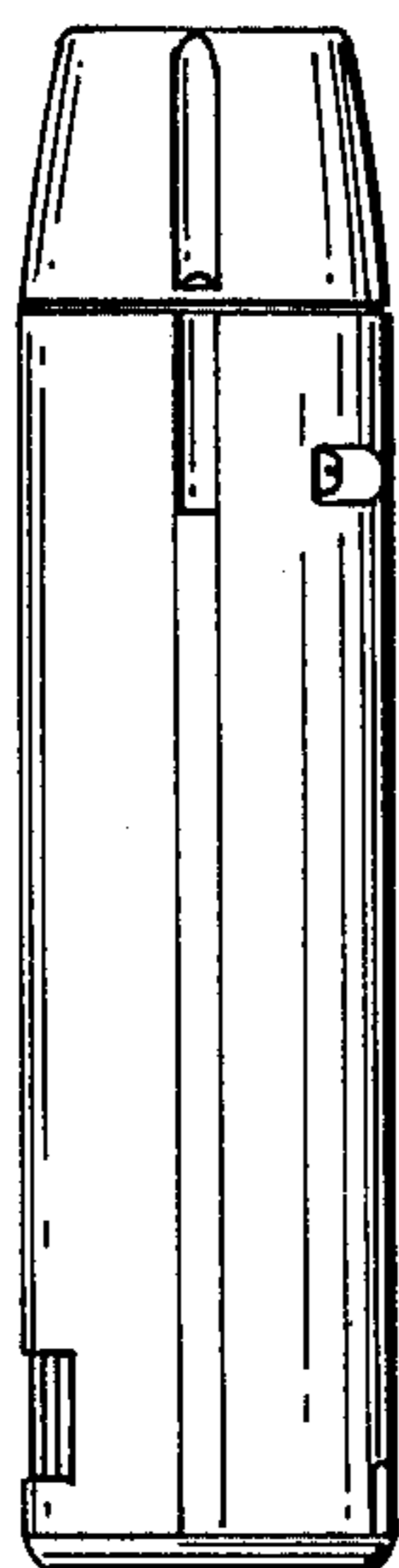


Fig.5

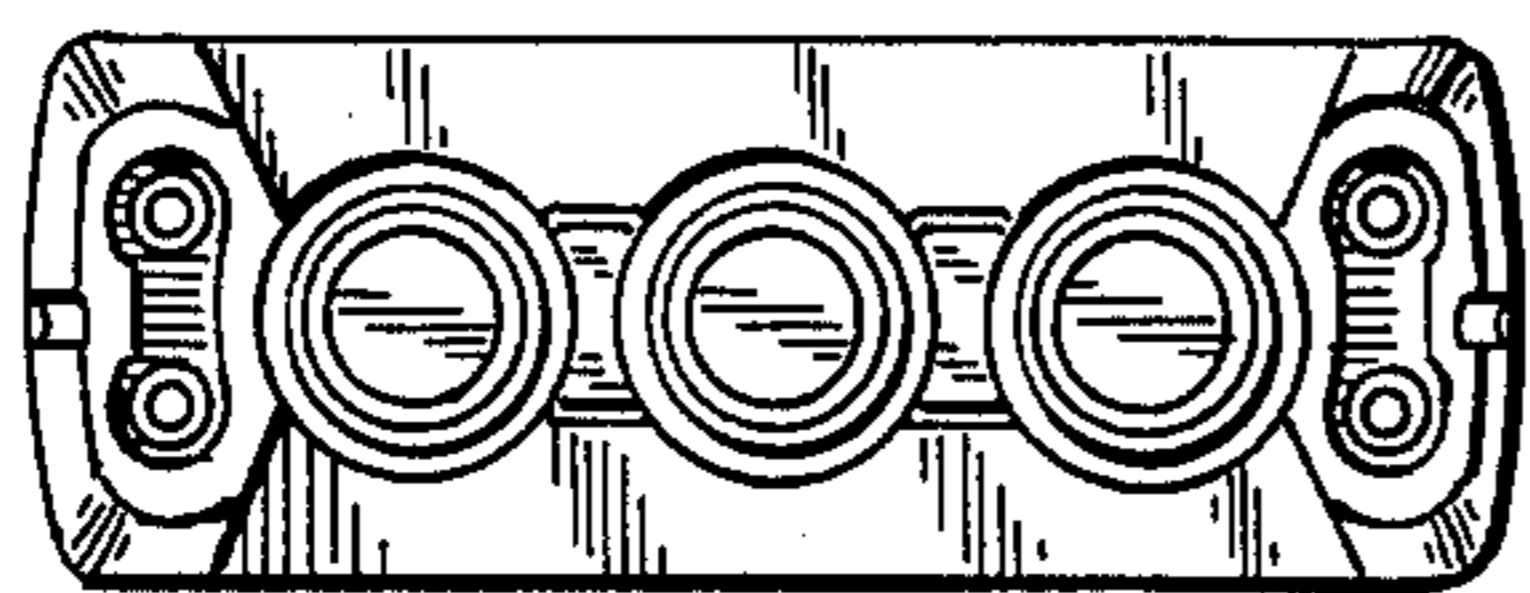


Fig.6

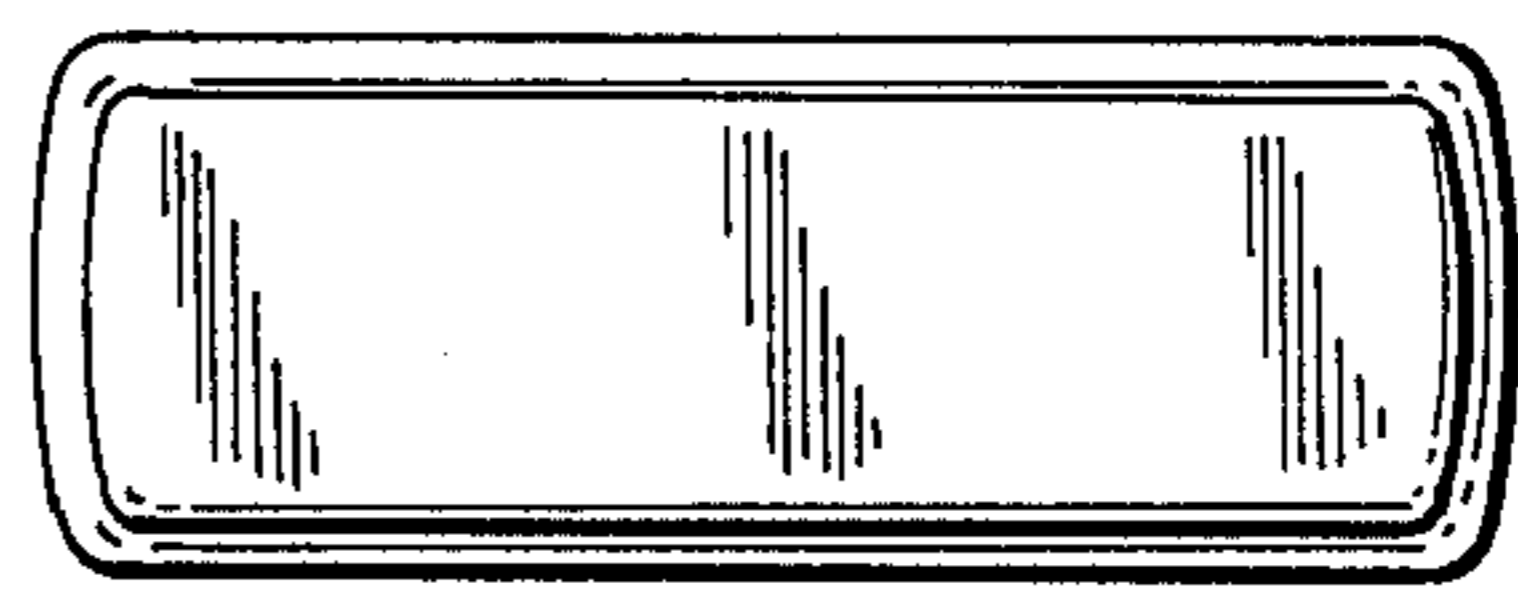


Fig.7