

[54] **FIREPLACE UNIT**

[75] **Inventor: Curtis J. Hill, Fargo, N. Dak.**

[73] **Assignee: Pressure Heat Systems, Inc., Fargo, N. Dak.**

[\*\*] **Term: 14 Years**

[21] **Appl. No.: 746,588**

[22] **Filed: Jun. 19, 1985**

[52] **U.S. Cl. .... D23/344**

[58] **Field of Search ..... D23/314, 342-350;  
126/4, 6, 58, 60-66, 120, 121**

[56] **References Cited**

**U.S. PATENT DOCUMENTS**

D. 247,973	5/1978	Bergstrom	.....	D23/94
D. 265,237	6/1982	Beck et al.	.....	D23/94
D. 267,741	1/1983	Geiter et al.	.....	D23/344
D. 271,991	12/1983	Chamberlain	.....	D23/94
D. 278,179	3/1985	Craver	.....	D23/94

**OTHER PUBLICATIONS**

*Popular Science*, Jul. 1985, p. 33.

*Wood 'n Energy*, Feb. 1984, p. 54.

*Primary Examiner*—Catherine E. Kemper  
*Attorney, Agent, or Firm*—Kinney & Lange

[57] **CLAIM**

The ornamental design for a fireplace unit, as shown and described.

**DESCRIPTION**

FIG. 1 is a perspective view of a fireplace unit showing my new design;

FIG. 2 is a right side elevational view, the left side being a mirror image thereof;

FIG. 3 is a top plan view thereof;

FIG. 4 is a front elevational view thereof;

FIG. 5 is a rear elevational view thereof;

FIG. 6 is a perspective view of a second embodiment of a fireplace unit;

FIG. 7 is a right side elevational view, the left side being a mirror image thereof;

FIG. 8 is a top plan view thereof;

FIG. 9 is a front elevational view thereof;

FIG. 10 is a rear elevational view thereof.

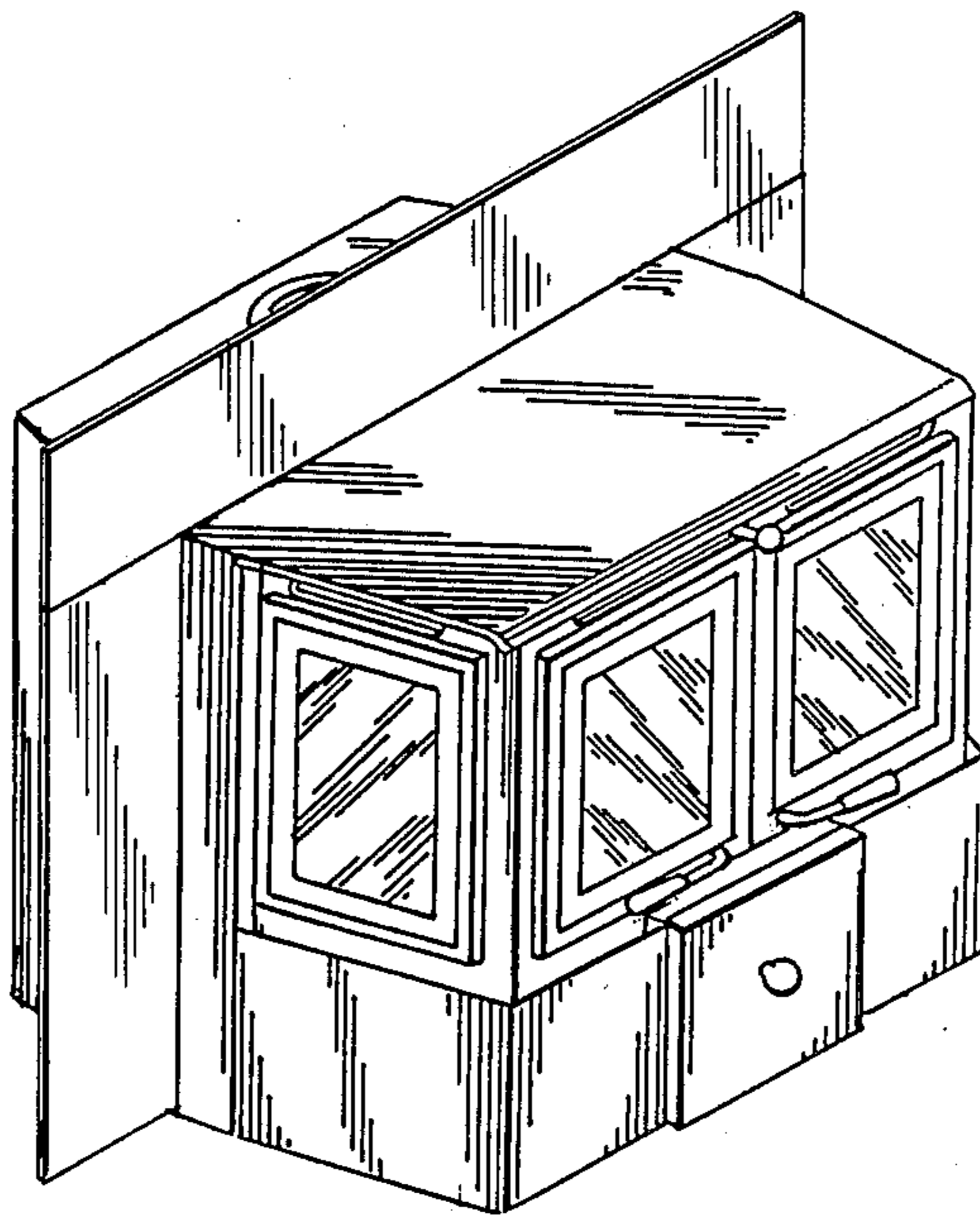


Fig. 1

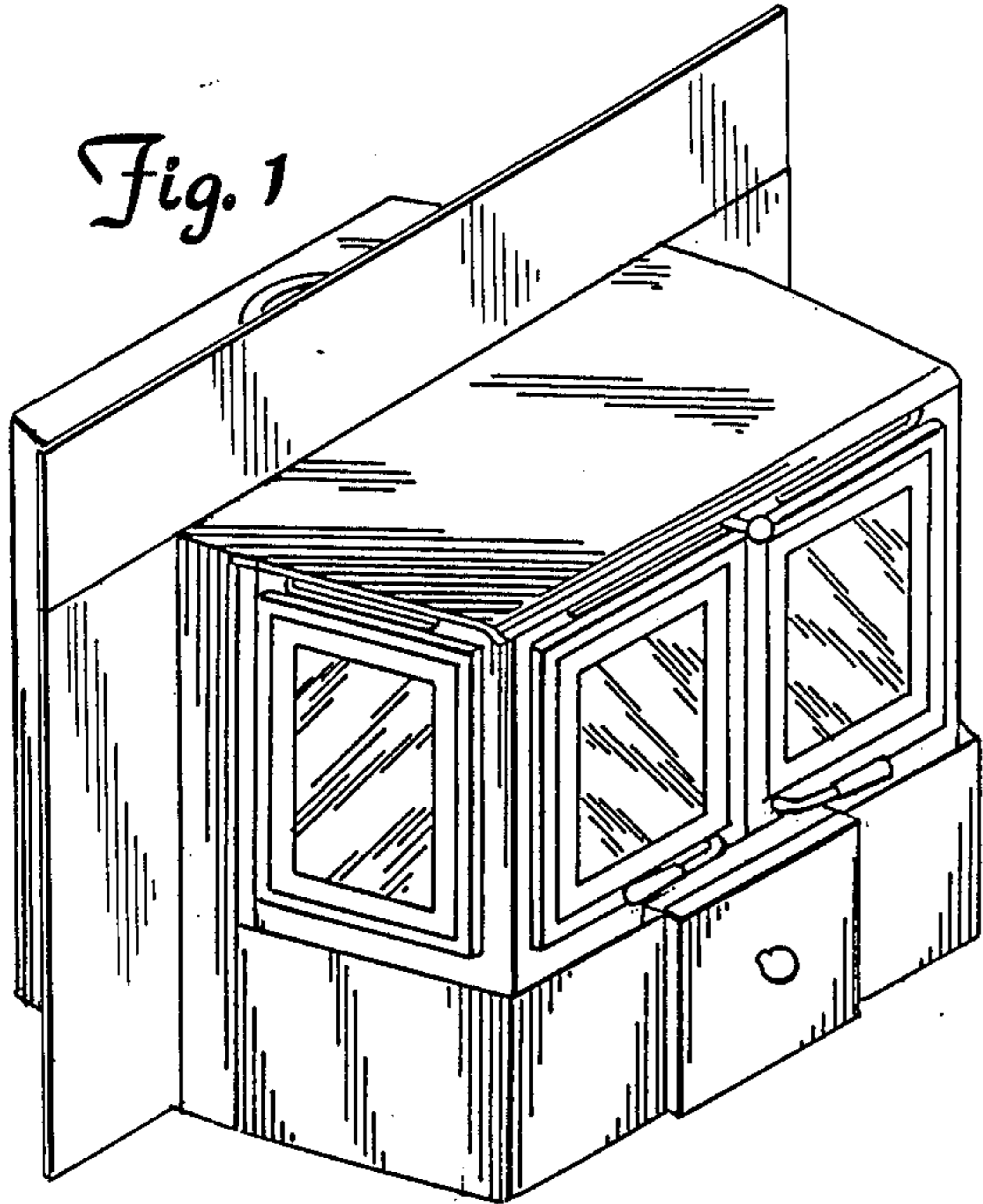


Fig. 3

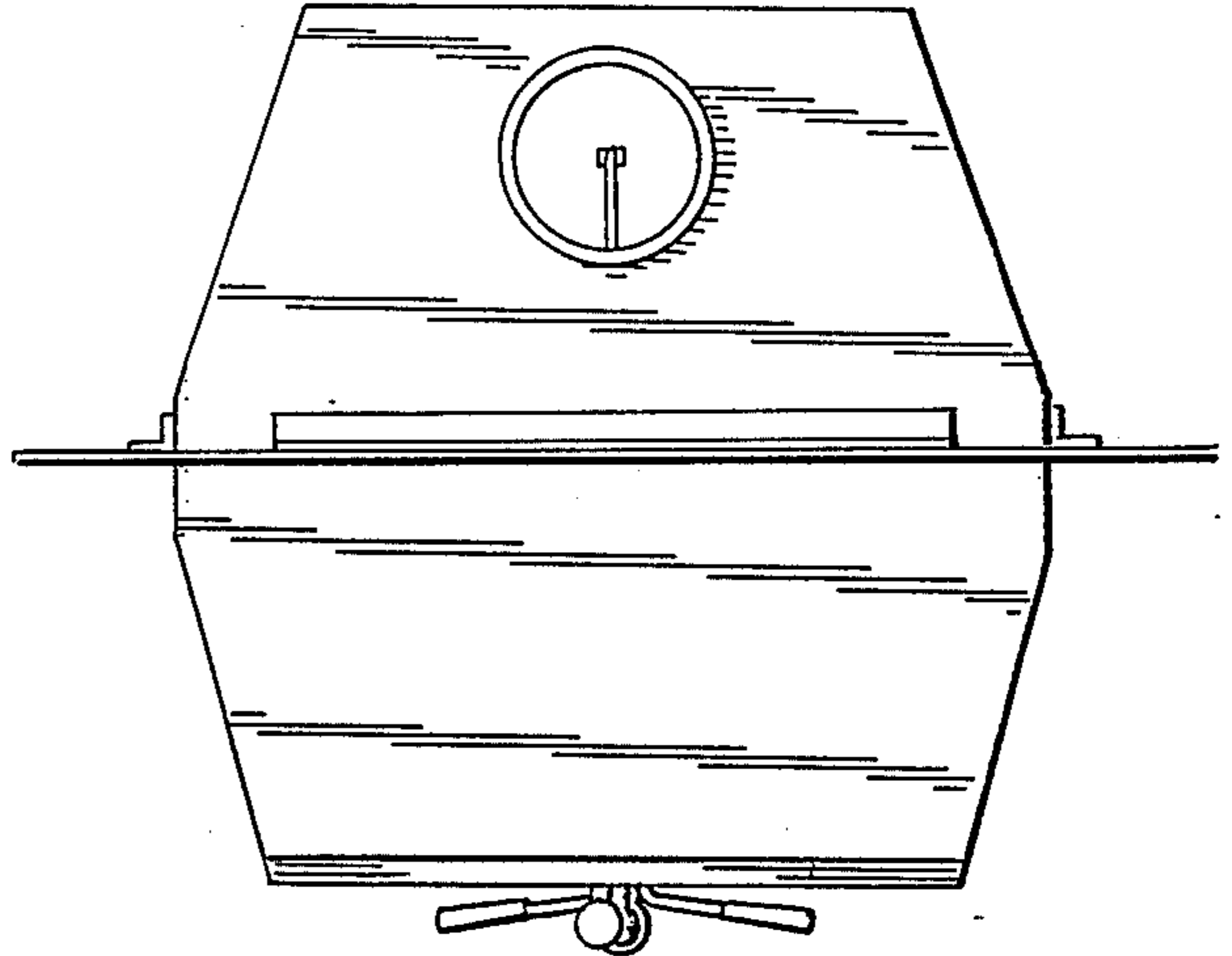


Fig. 2

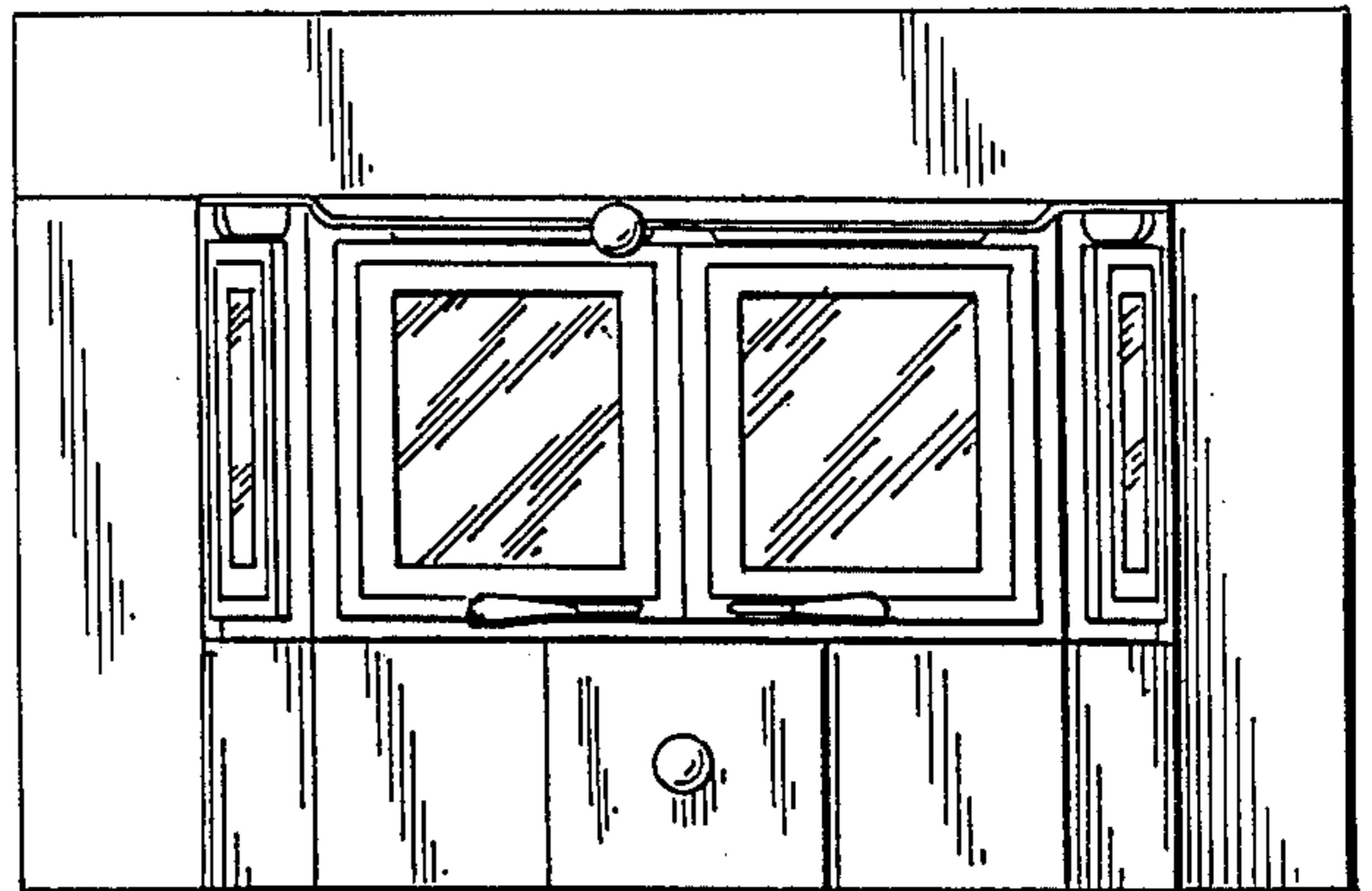
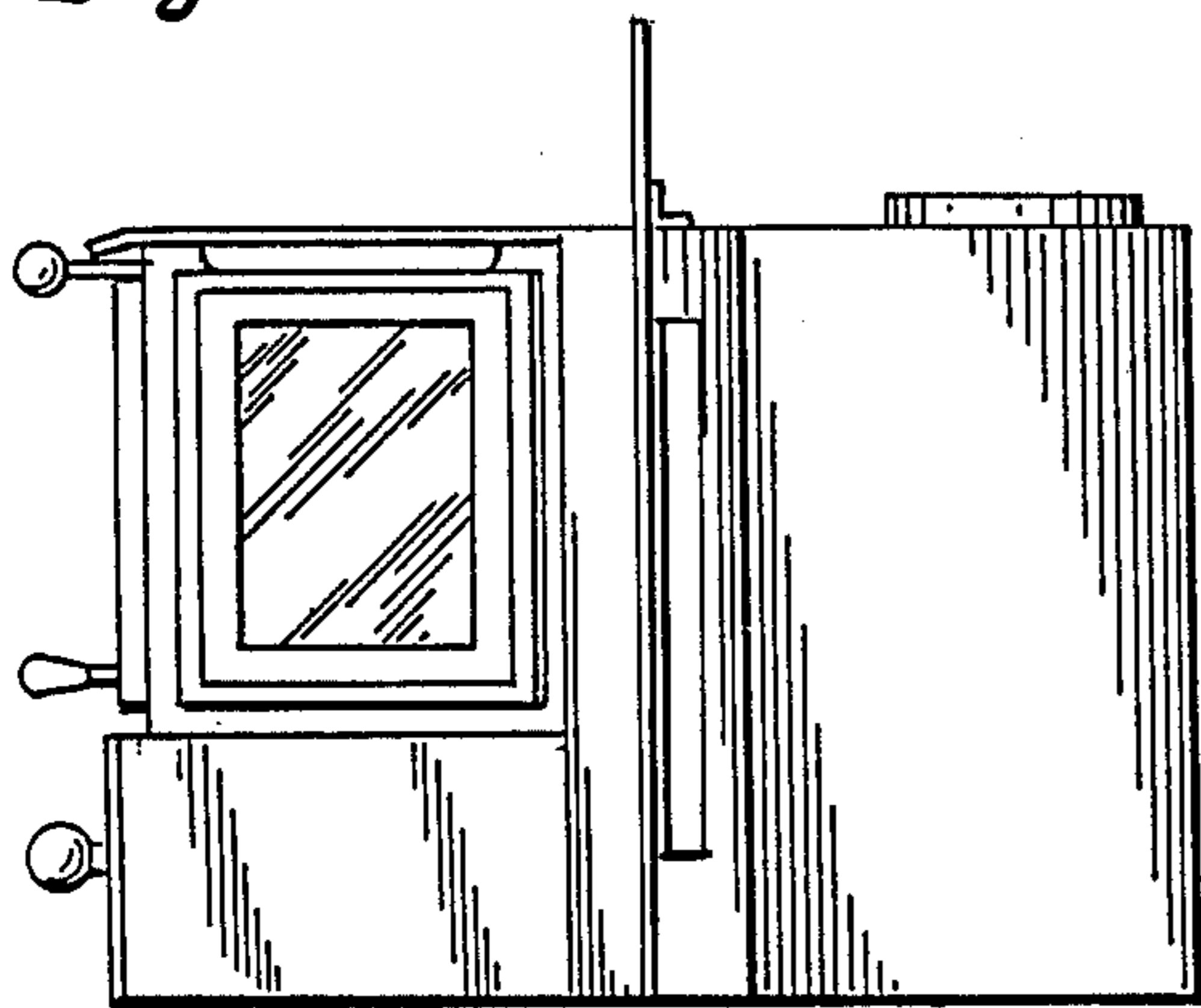
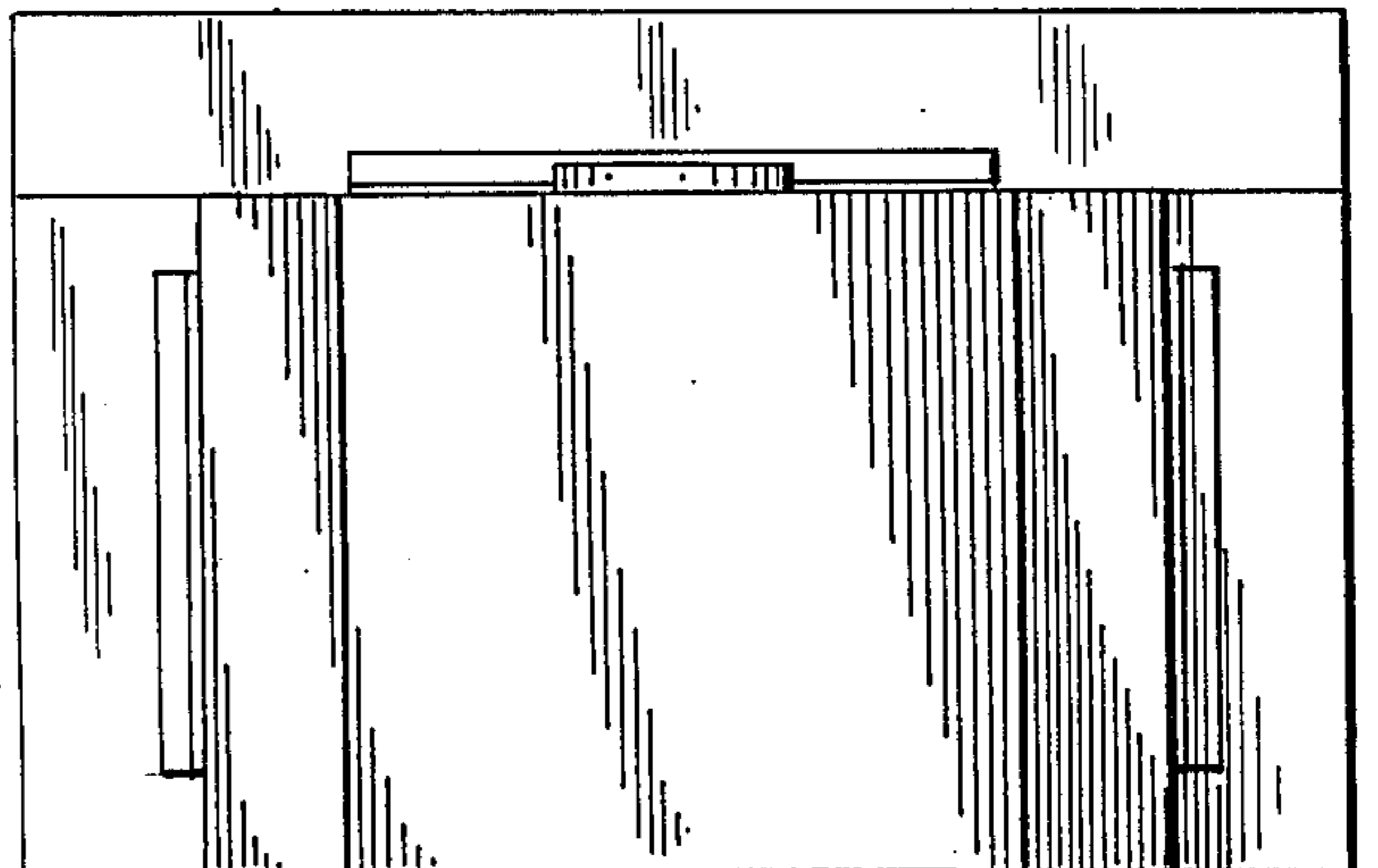


Fig. 4

Fig. 5



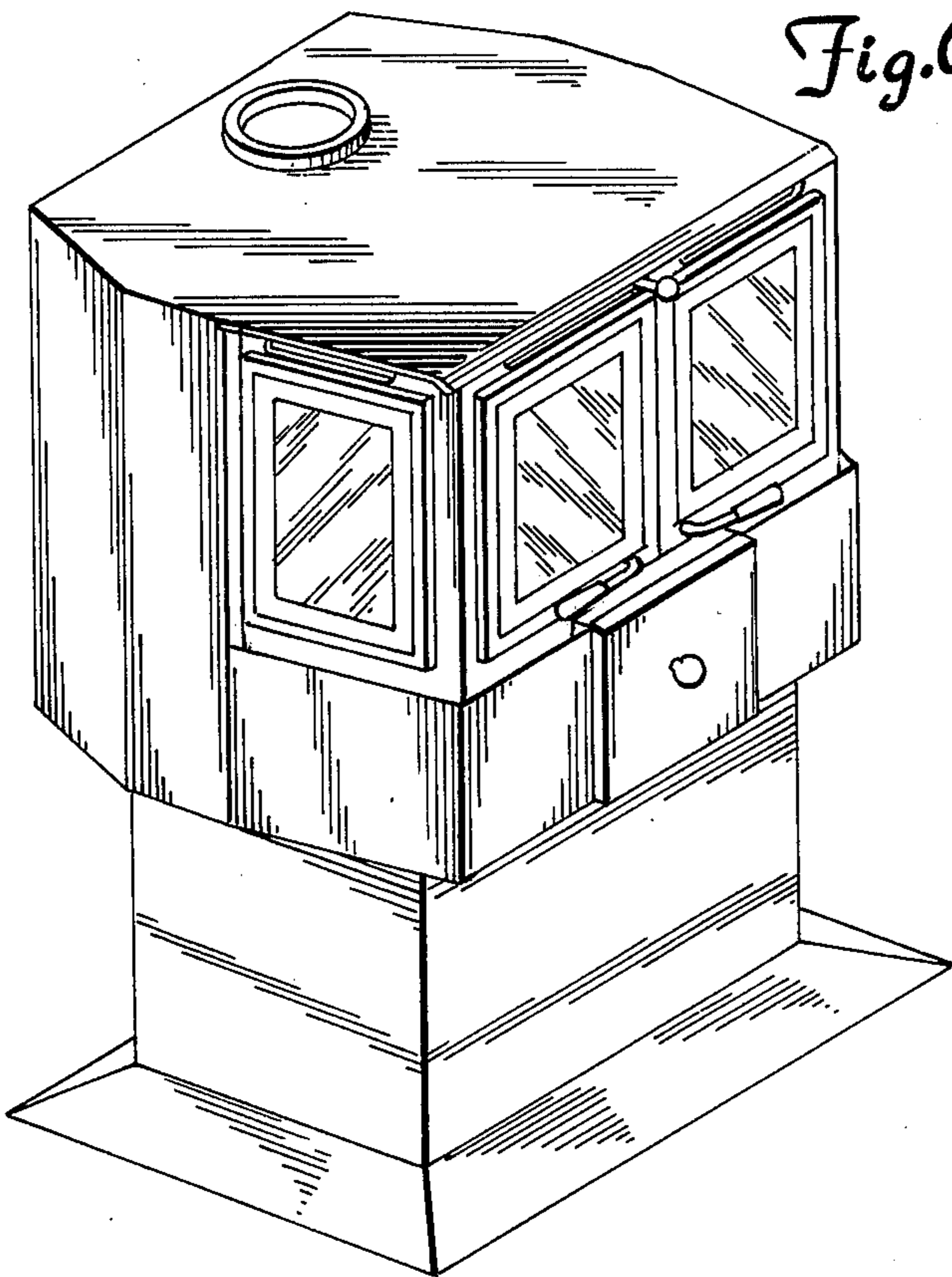


Fig. 6

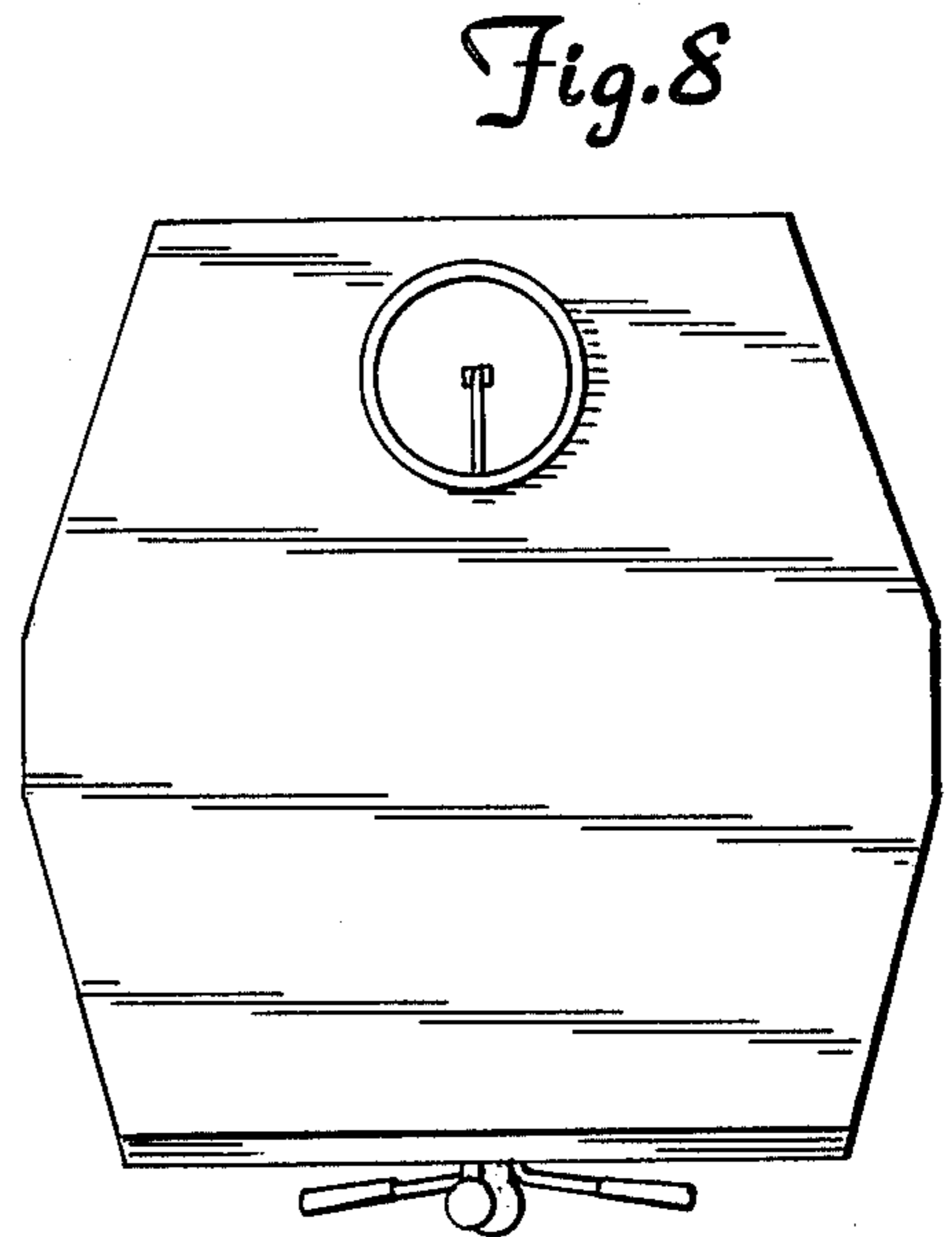


Fig. 8

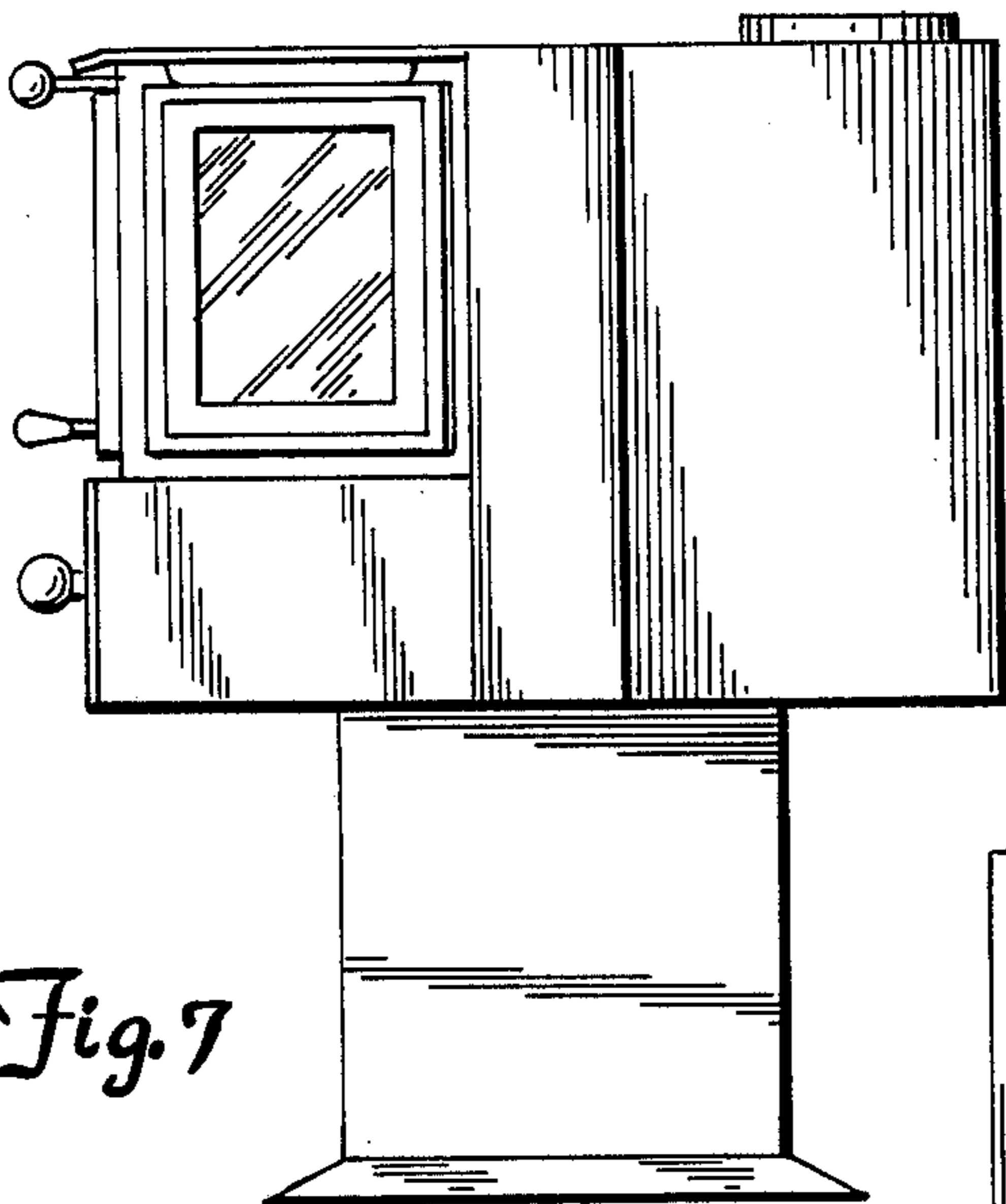


Fig. 7

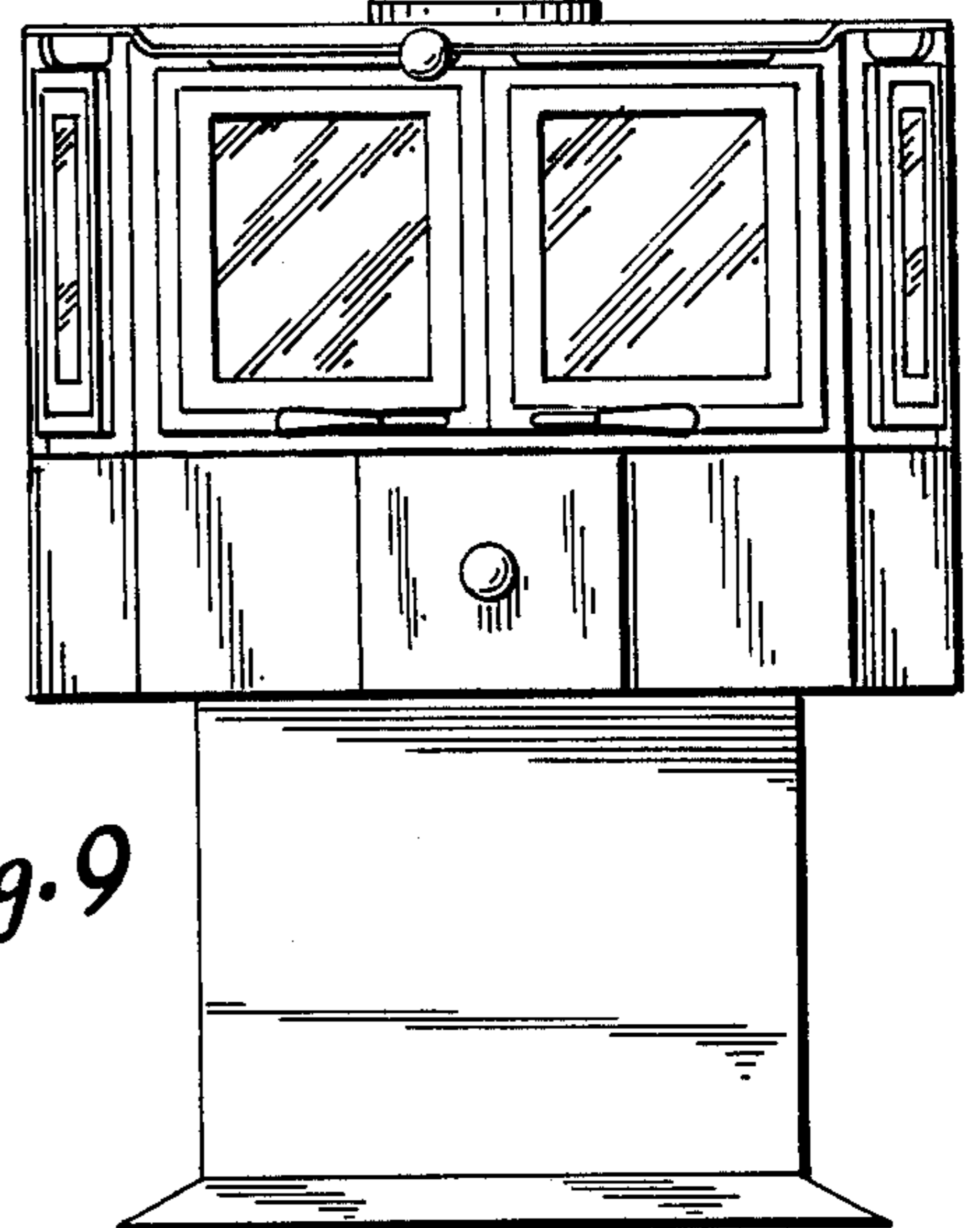


Fig. 9

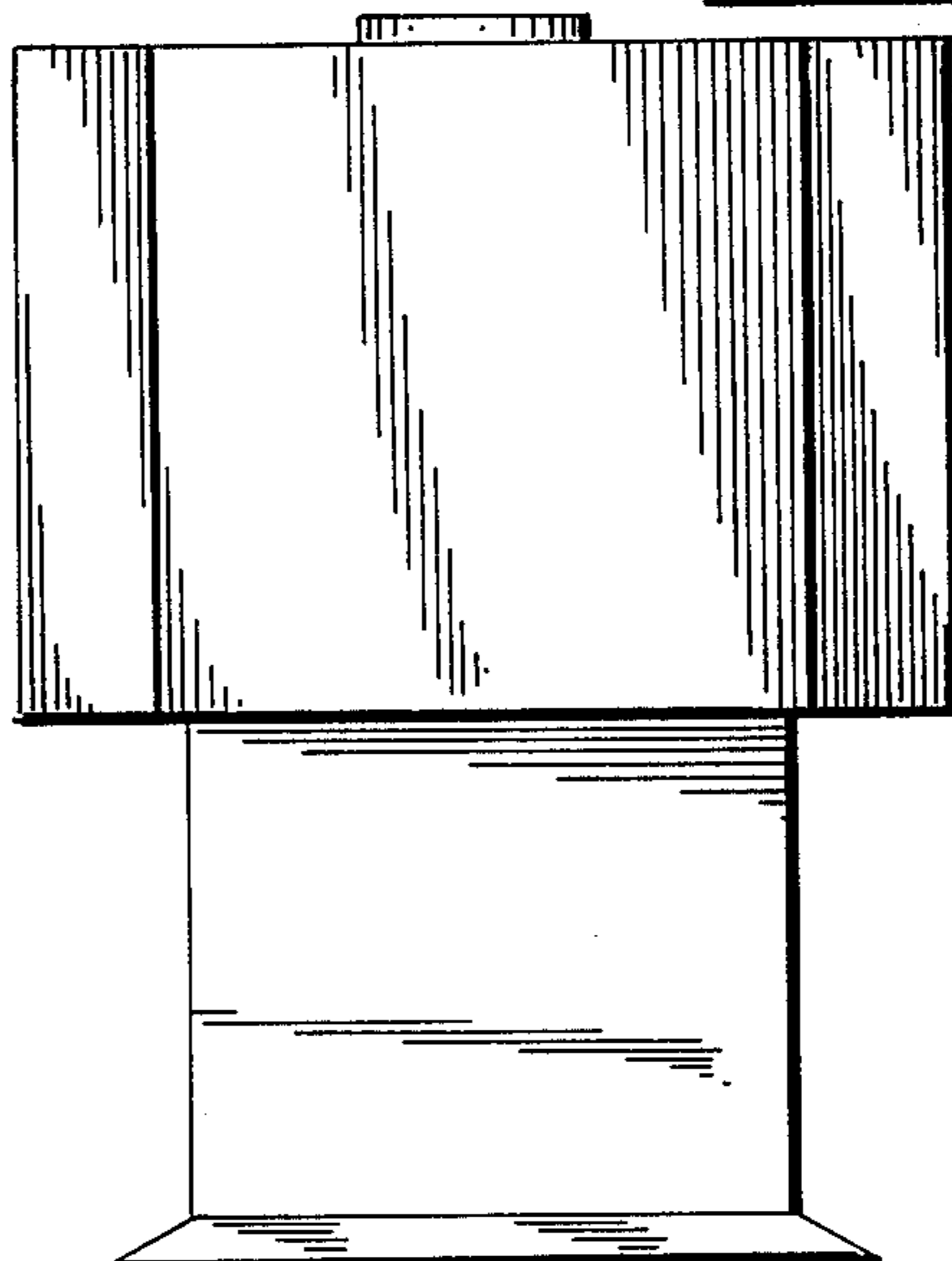


Fig. 10