

[54] BATH TUB FOR INVALIDS

[76] Inventor: Georg R. Weschta, P.O. Box 2512, Port Elizabeth, South Africa

[**] Term: 14 Years

[21] Appl. No.: 788,646

[22] Filed: Oct. 17, 1985

[30] Foreign Application Priority Data

Apr. 18, 1985 [ZA] South Africa 85/0332

[52] U.S. Cl. D23/279

[58] Field of Search D23/277-283; 4/555, 556

[56] References Cited

U.S. PATENT DOCUMENTS

D. 225,225	11/1972	Russell	D23/279
D. 248,107	6/1978	Brengord et al.	D23/279
2,569,825	10/1951	Otis	4/556
2,977,604	4/1961	Miller	4/556 X
2,991,482	7/1961	Brass	4/556
3,066,316	12/1962	Russell	4/556

3,371,354	3/1968	Hayslett	4/556
3,423,769	1/1969	Cowley	4/556
3,863,275	2/1975	Brengord et al.	4/556

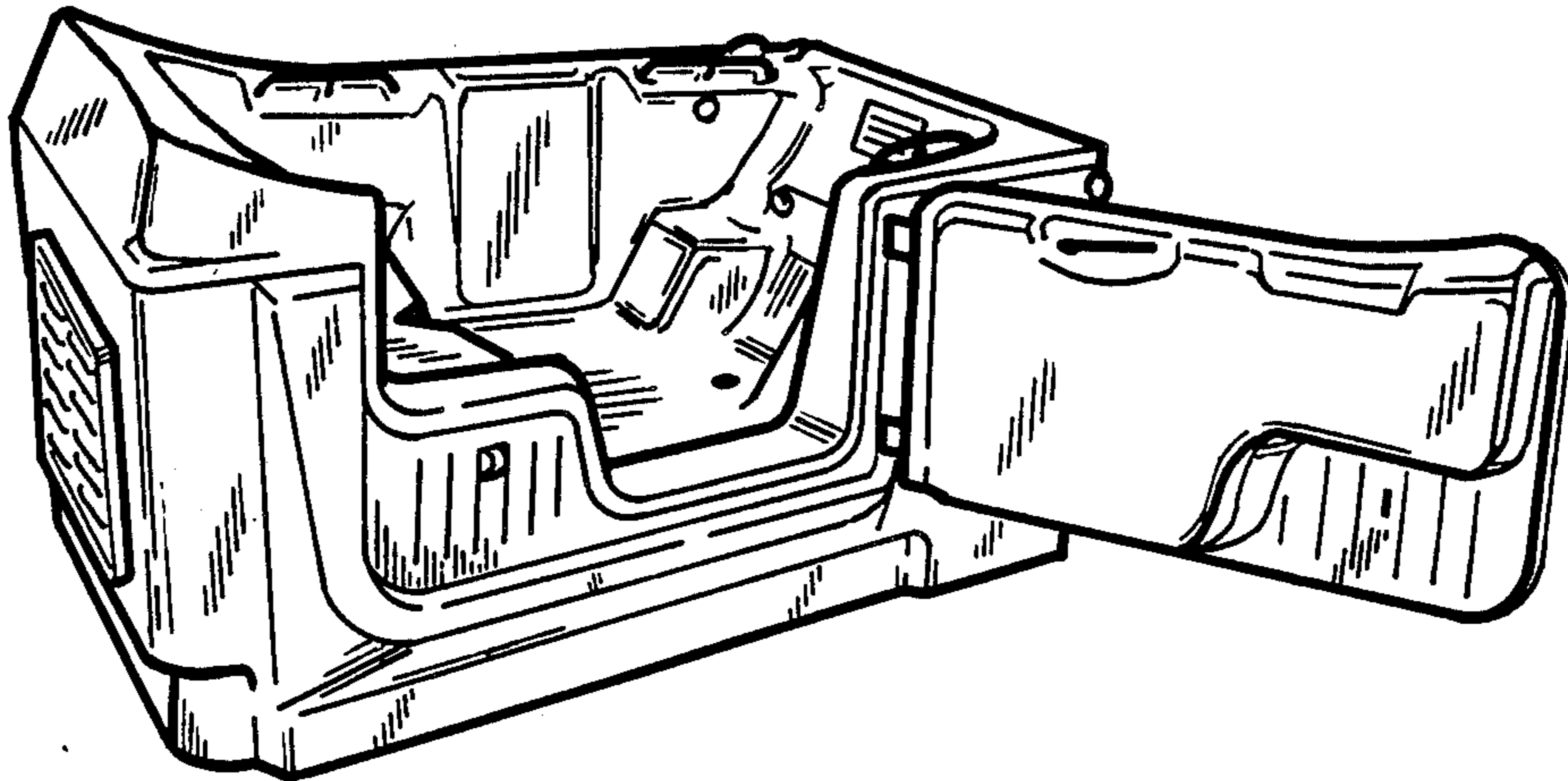
Primary Examiner—James R. Largen
Attorney, Agent, or Firm—Fleit, Jacobson, Cohn & Price

[57] CLAIM

The ornamental design for a bath tub for invalids, as shown and described.

DESCRIPTION

FIG. 1 is a perspective view taken from the top, one side and one end of a bath tub for invalids with the door in an open position showing my new design;
 FIG. 2 is an elevational view taken from the side shown in FIG. 1 with the door closed;
 FIG. 3 is an elevational view taken from the side opposite that shown in FIG. 1;
 FIG. 4 is an elevational view taken from the end shown in FIG. 1;
 FIG. 5 is an elevational view taken from the end opposite that shown in FIG. 1; and
 FIG. 6 is a top plan view of FIG. 2.



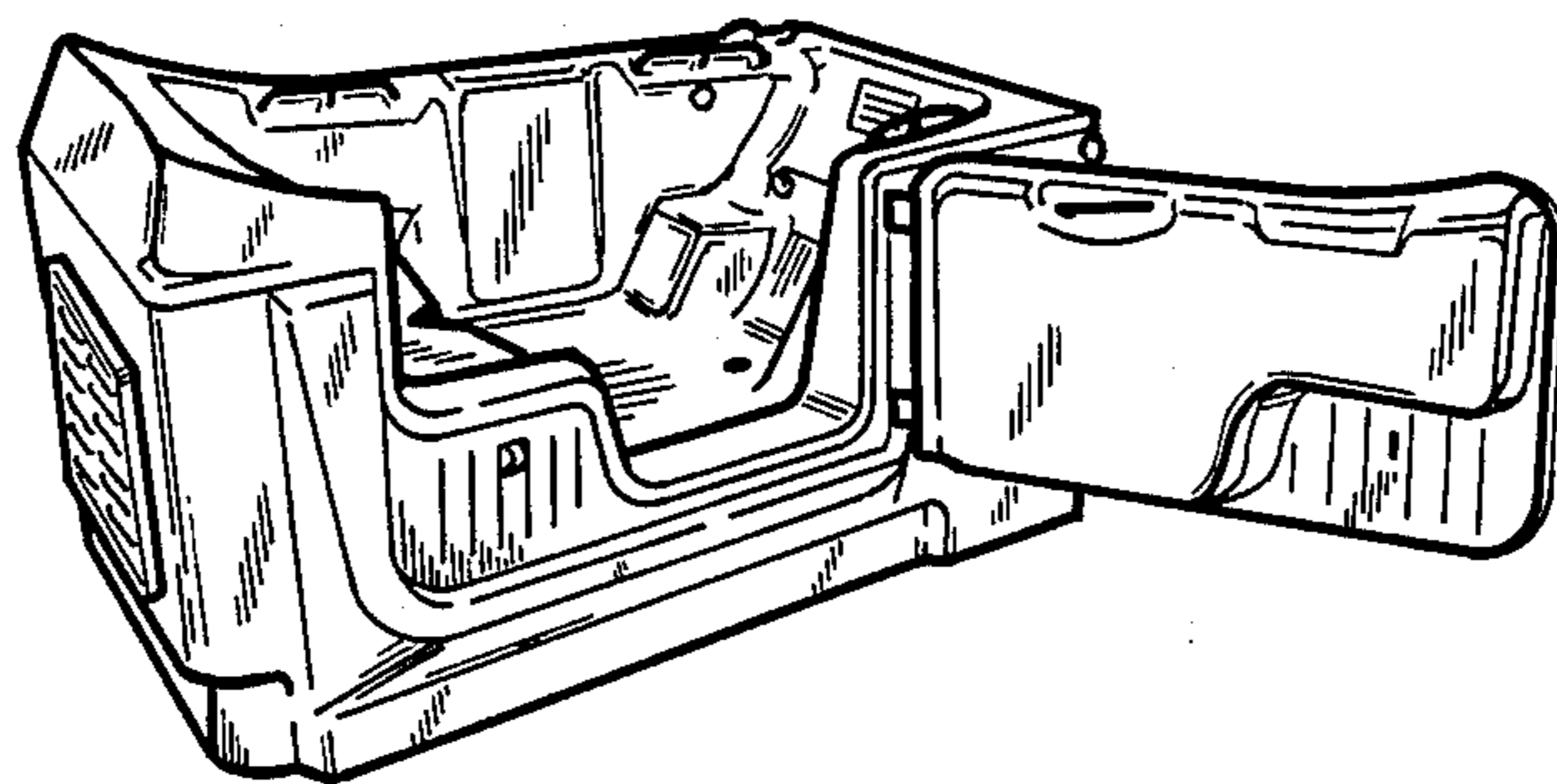


FIG. 1

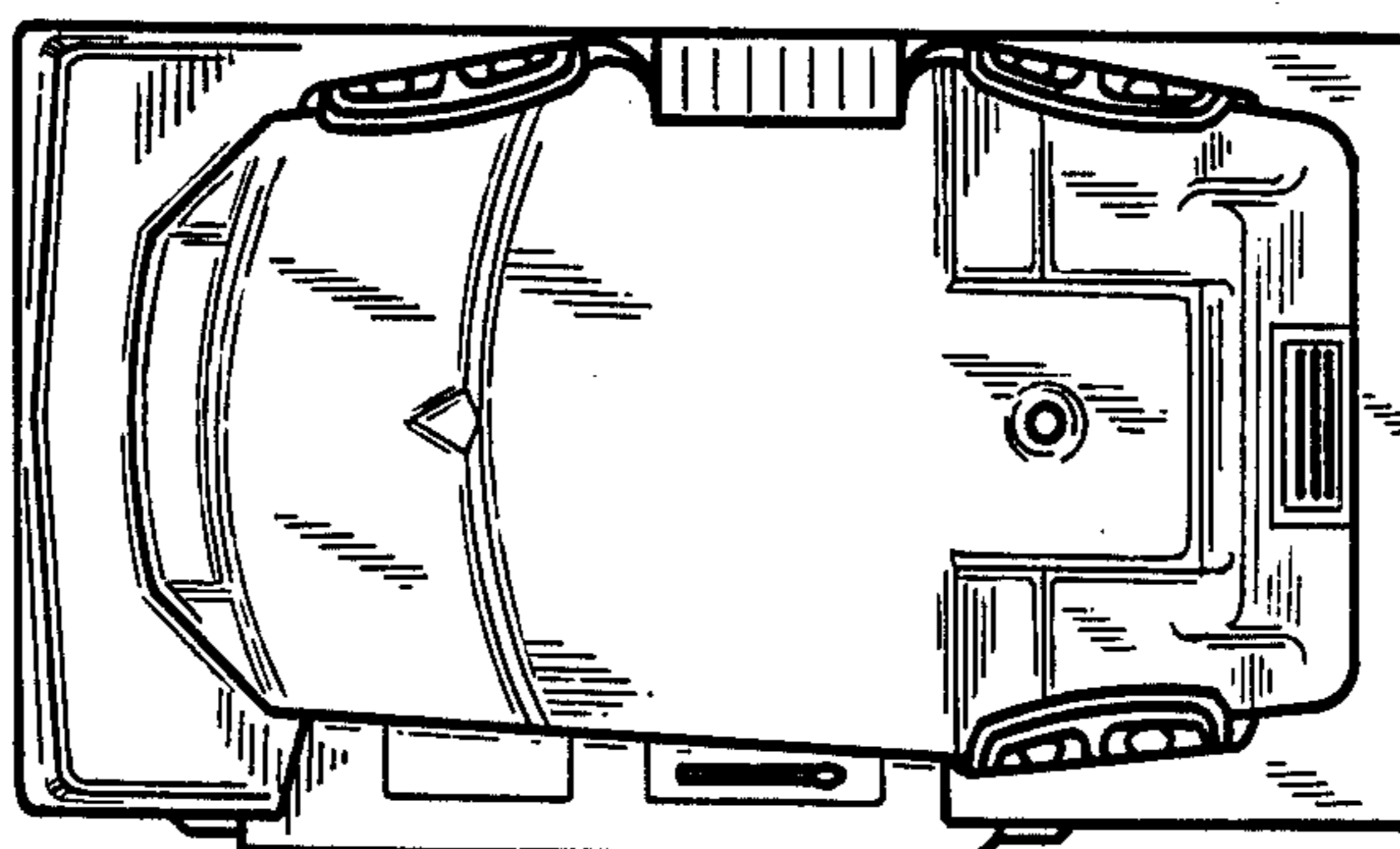


FIG. 6

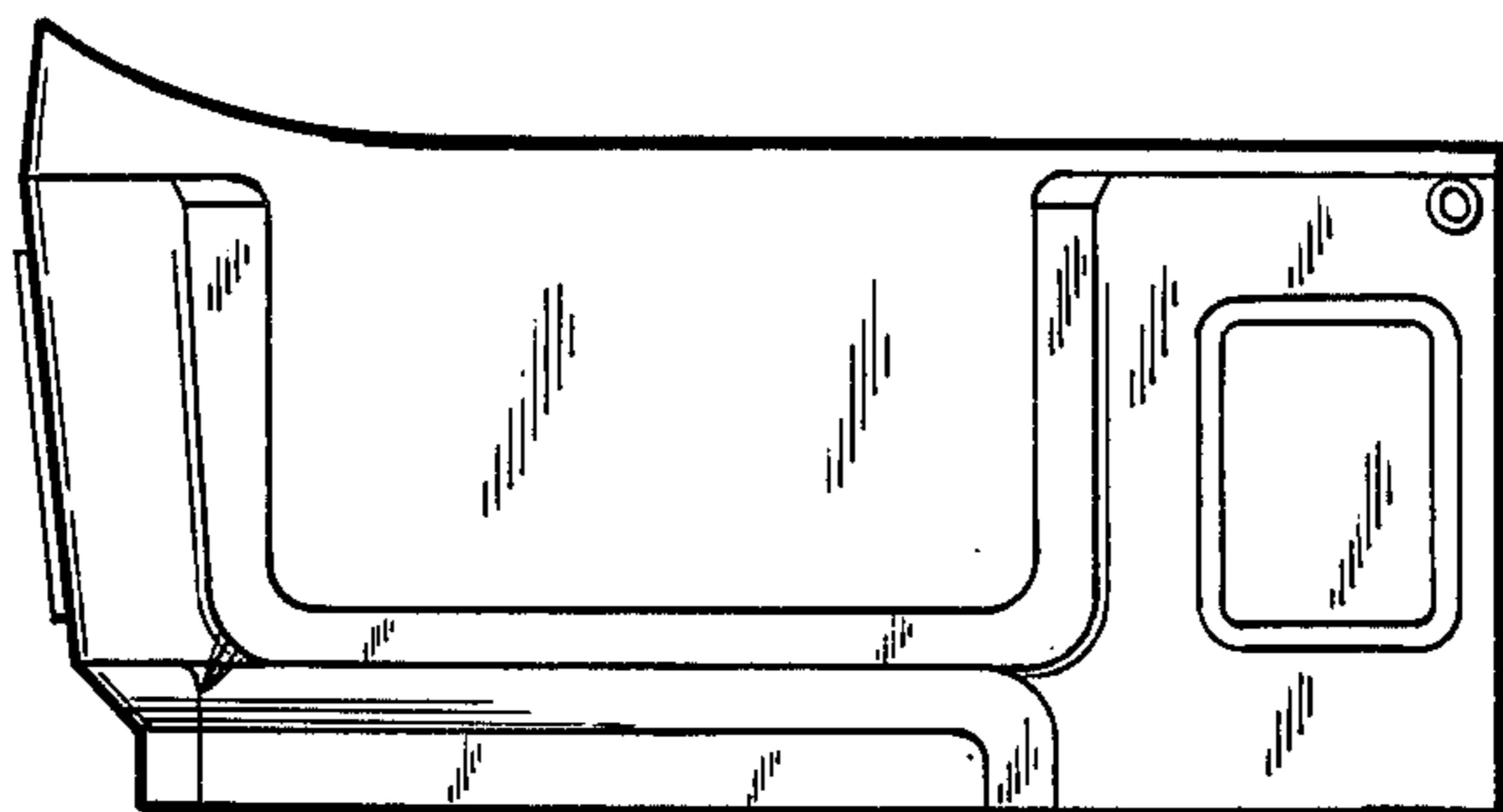


FIG. 2

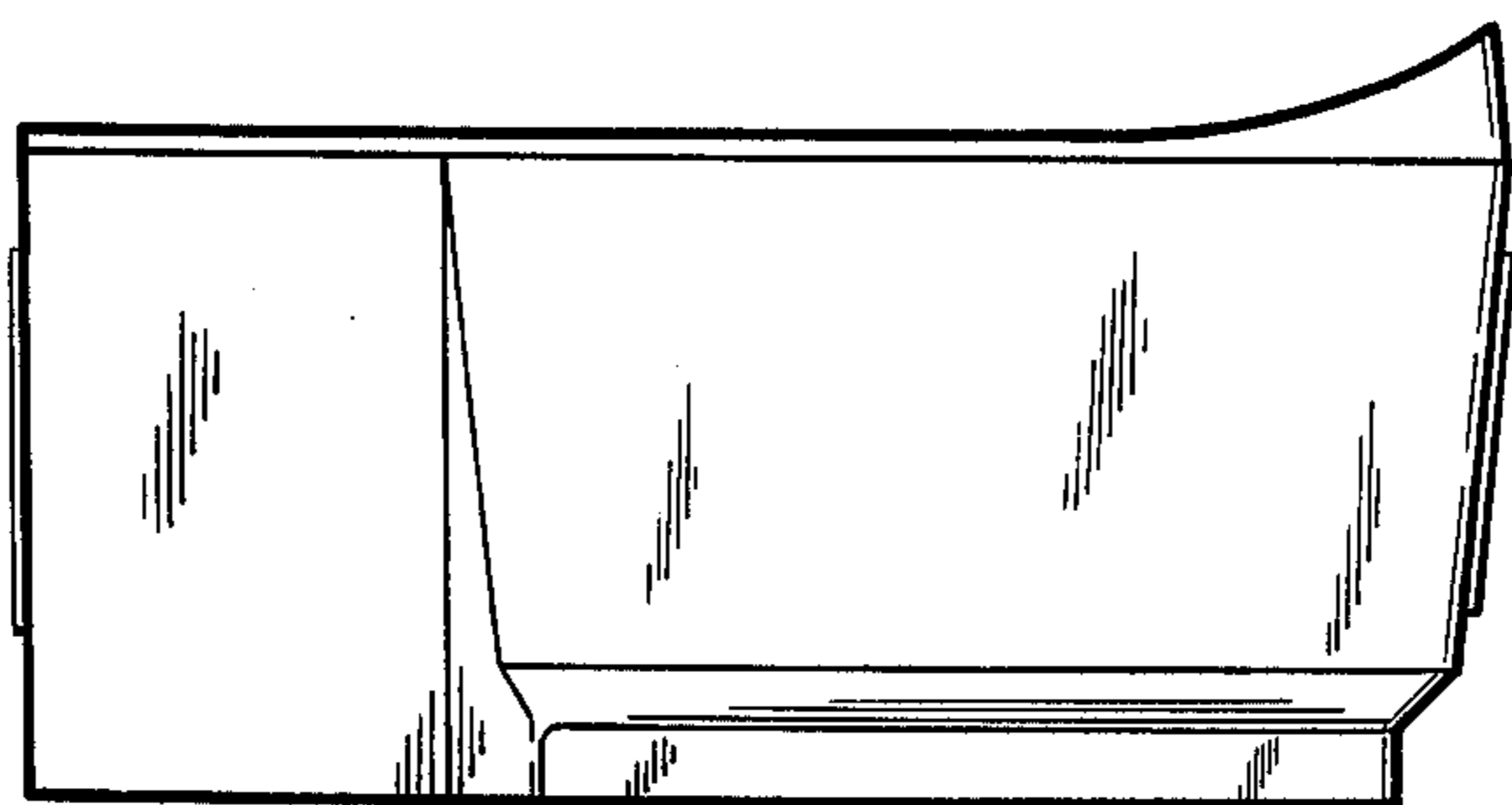


FIG. 3

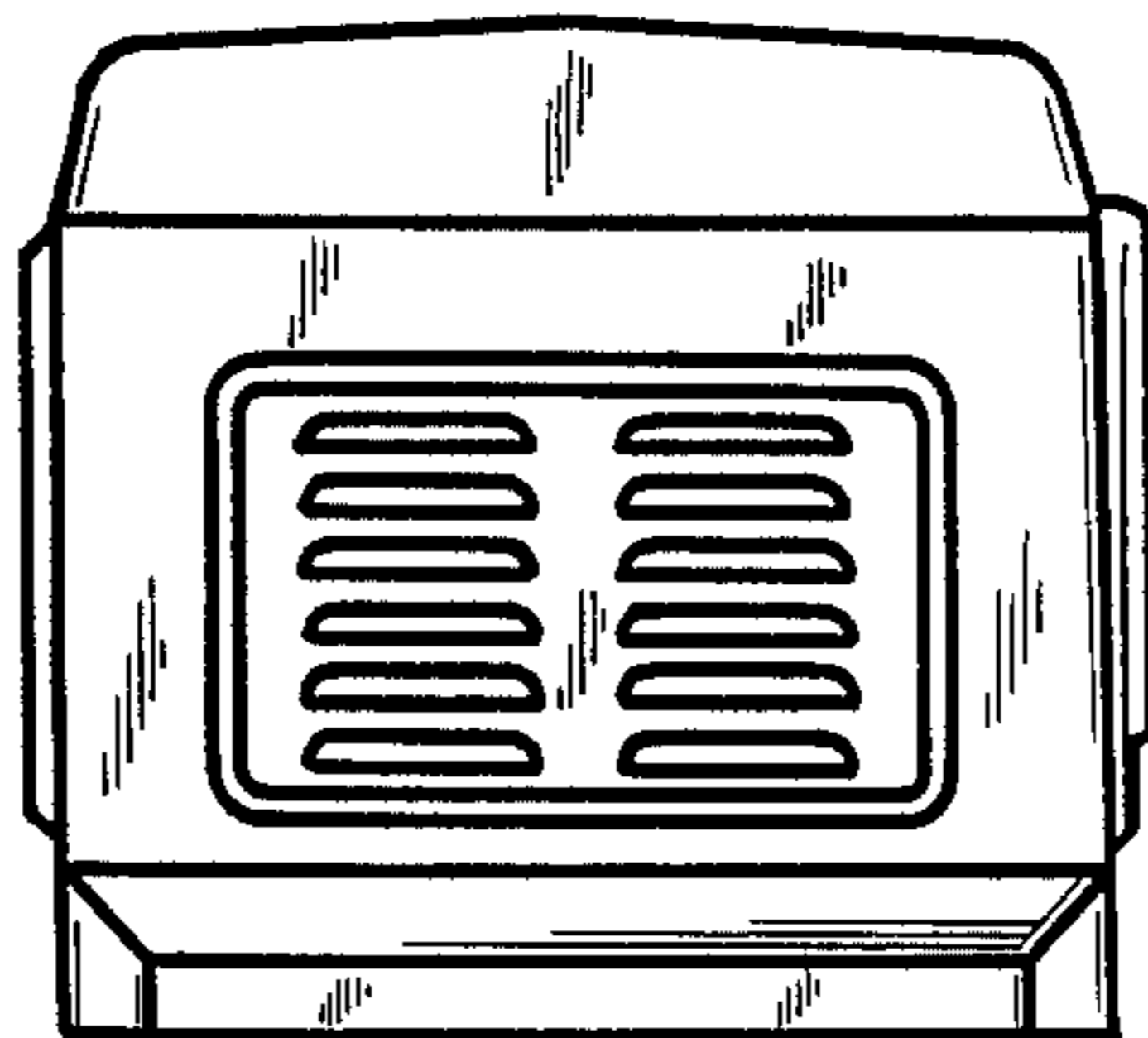


FIG. 4

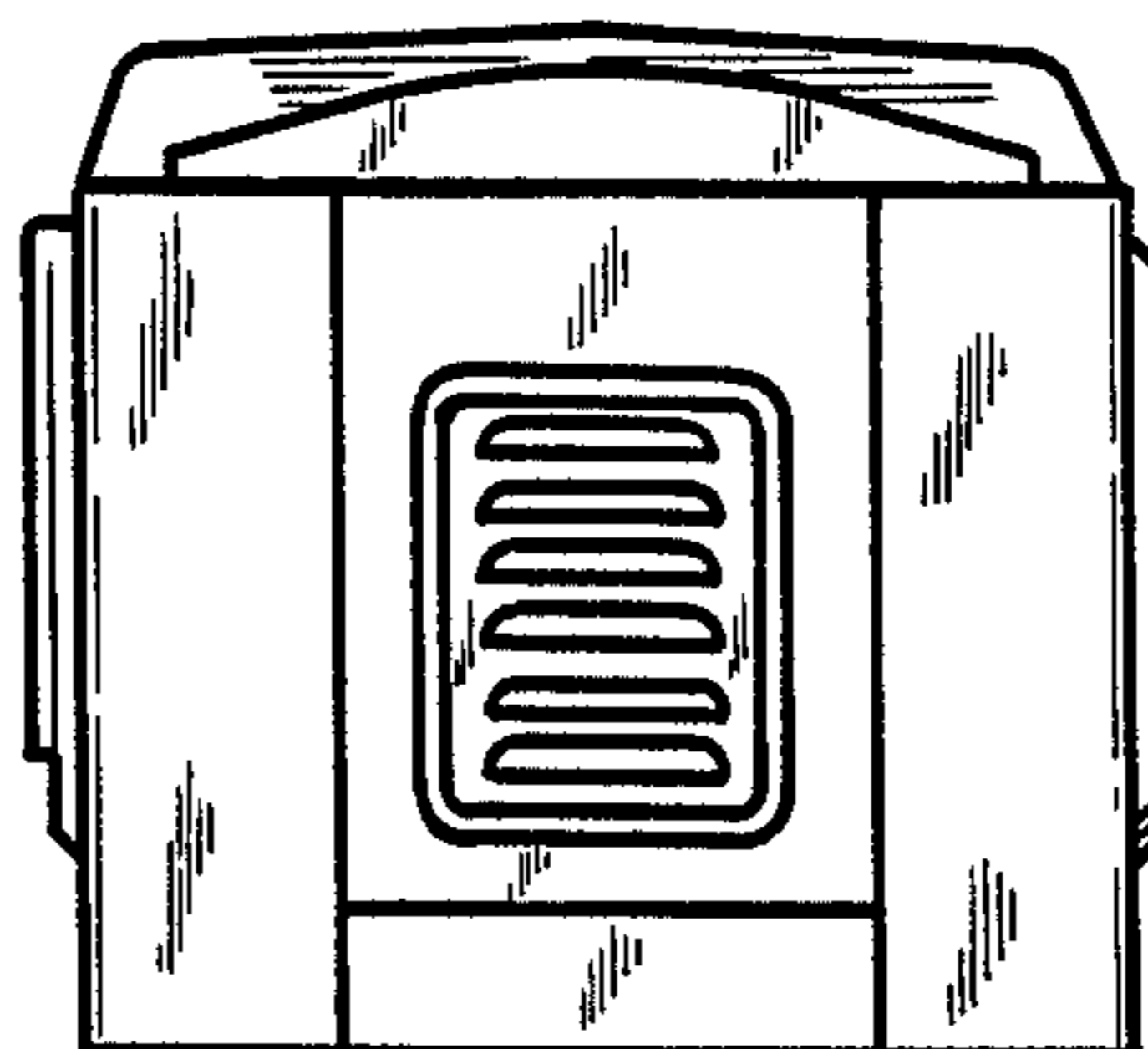


FIG. 5