

[54] COMBINED WATER PURIFIER AND SUPPORT BRACKET

4,622,137 11/1986 Kessler ..... 210/169

[75] Inventor: Dennis J. Kool, Kentwood, Mich.

Primary Examiner—Wallace R. Burke  
Assistant Examiner—Brian N. Vinson  
Attorney, Agent, or Firm—Price, Heneveld, Cooper,  
DeWitt & Litton

[73] Assignee: Amway Corporation, Ada, Mich.

[\*\*] Term: 14 Years

[57] CLAIM

[21] Appl. No.: 872,770

The ornamental design for a combined water purifier and support bracket, as shown and described.

[22] Filed: Jun. 10, 1986

DESCRIPTION

[52] U.S. Cl. .... D23/207

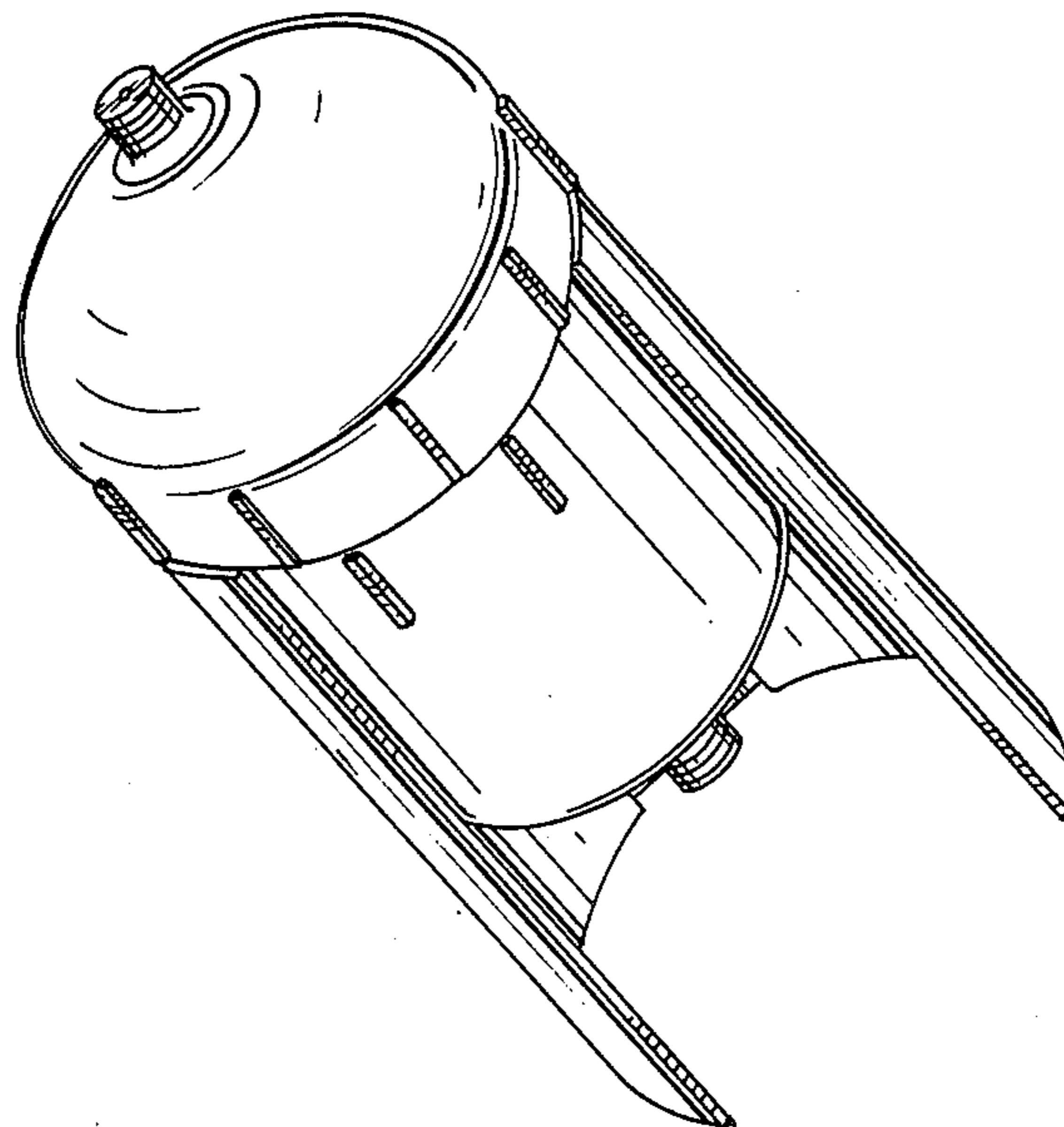
[58] Field of Search ..... D23/3, 4, 146, 148;  
210/198.1, 257.1, 282, 288, 295, 416.3, 443-449;  
D8/380, 394, 499

FIG. 1 is a front elevational view of a combined water purifier and support bracket showing my new design; FIG. 2 is a left side elevational view thereof, the right side being a mirror image; FIG. 3 is a rear elevational view thereof; FIG. 4 is a top plan view thereof; FIG. 5 is a bottom plan view thereof; FIG. 6 is a top and front perspective view thereof; and FIG. 7 is an exploded top and front perspective view thereof.

[56] References Cited

U.S. PATENT DOCUMENTS

- D. 279,959 8/1985 Nimmo et al. .... D8/394 X
- 4,231,872 11/1980 Keil ..... 210/282 X
- 4,271,015 6/1981 Moore ..... D23/3 X



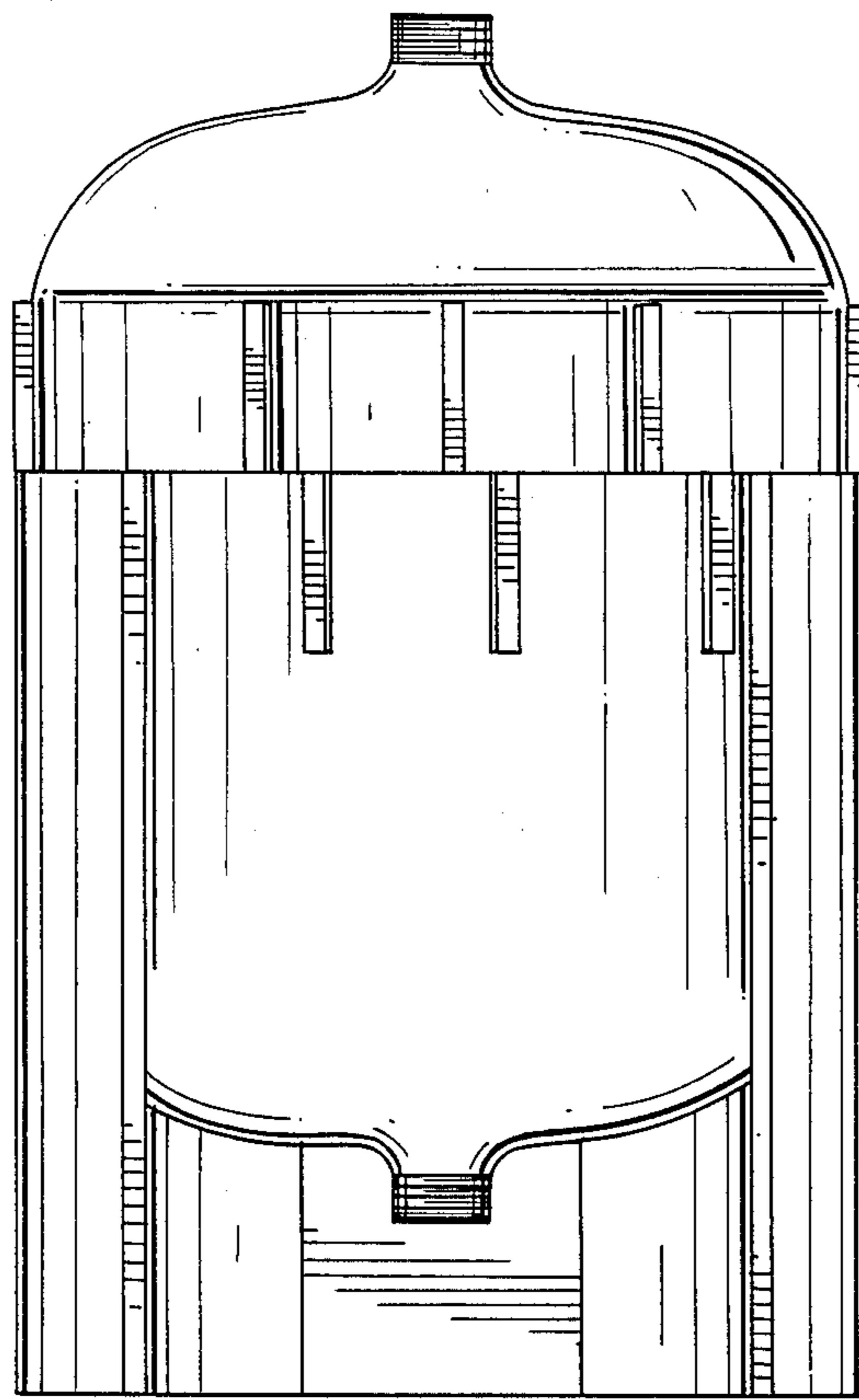


FIG. 1

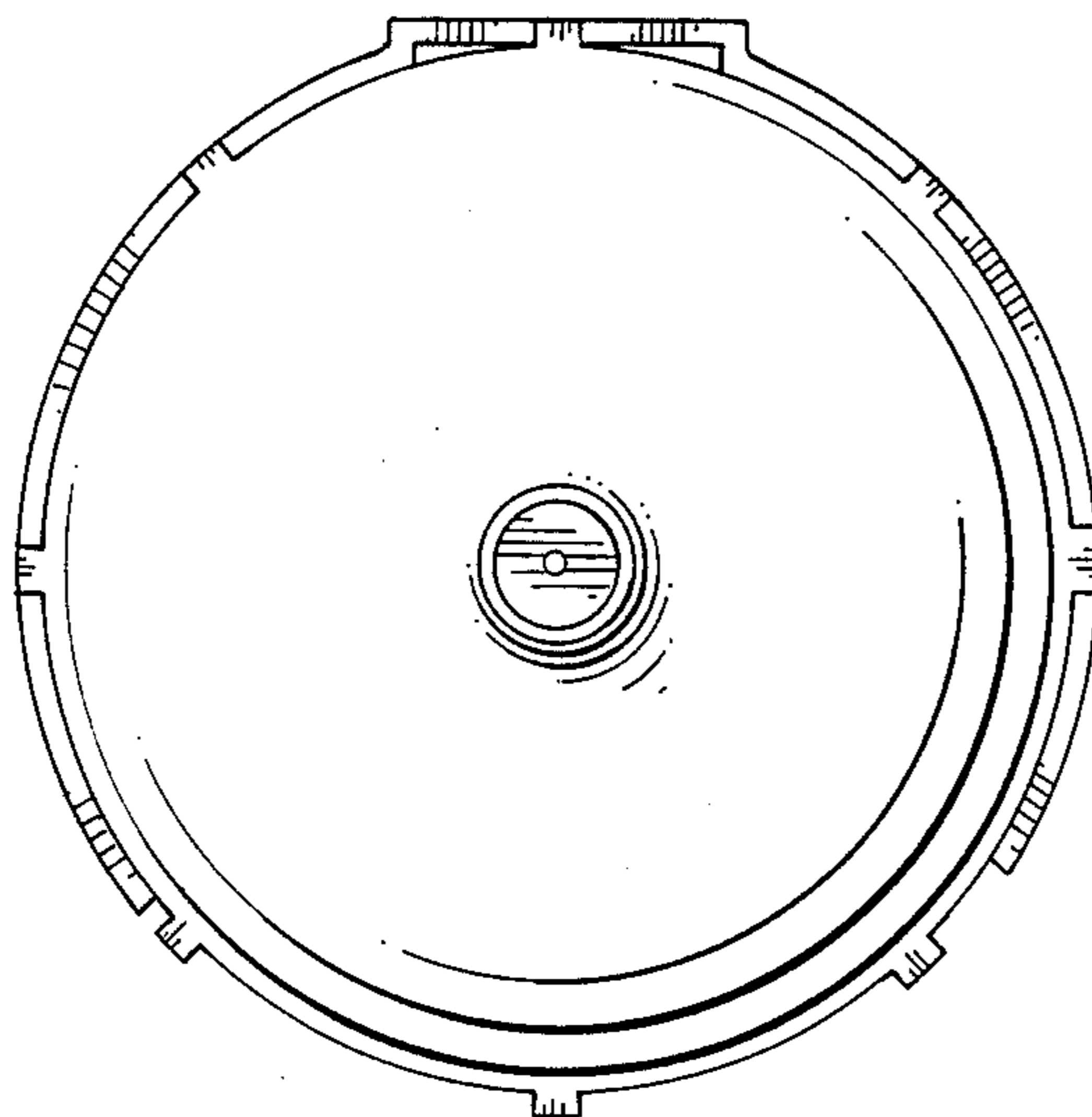


FIG. 4

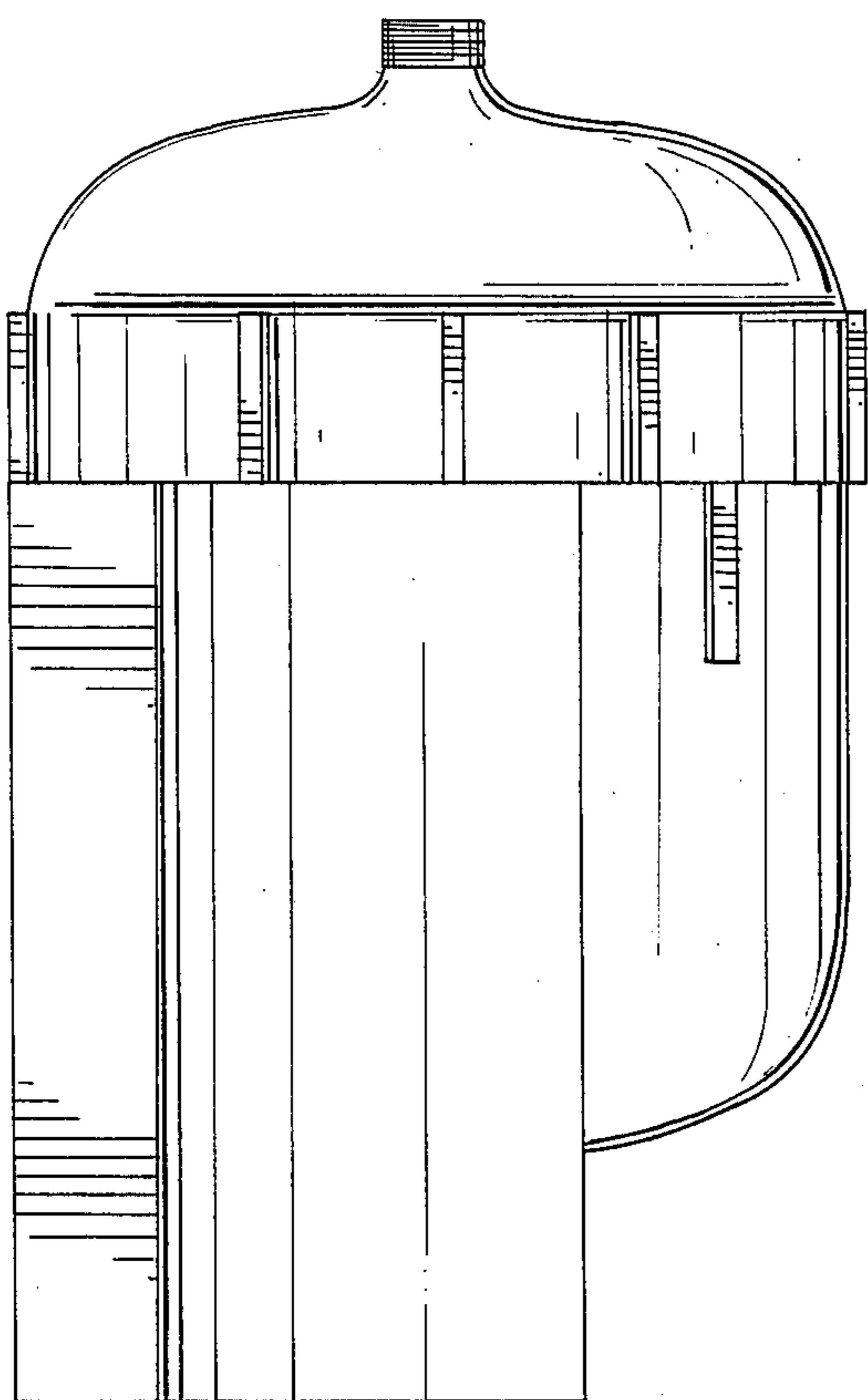


FIG. 2

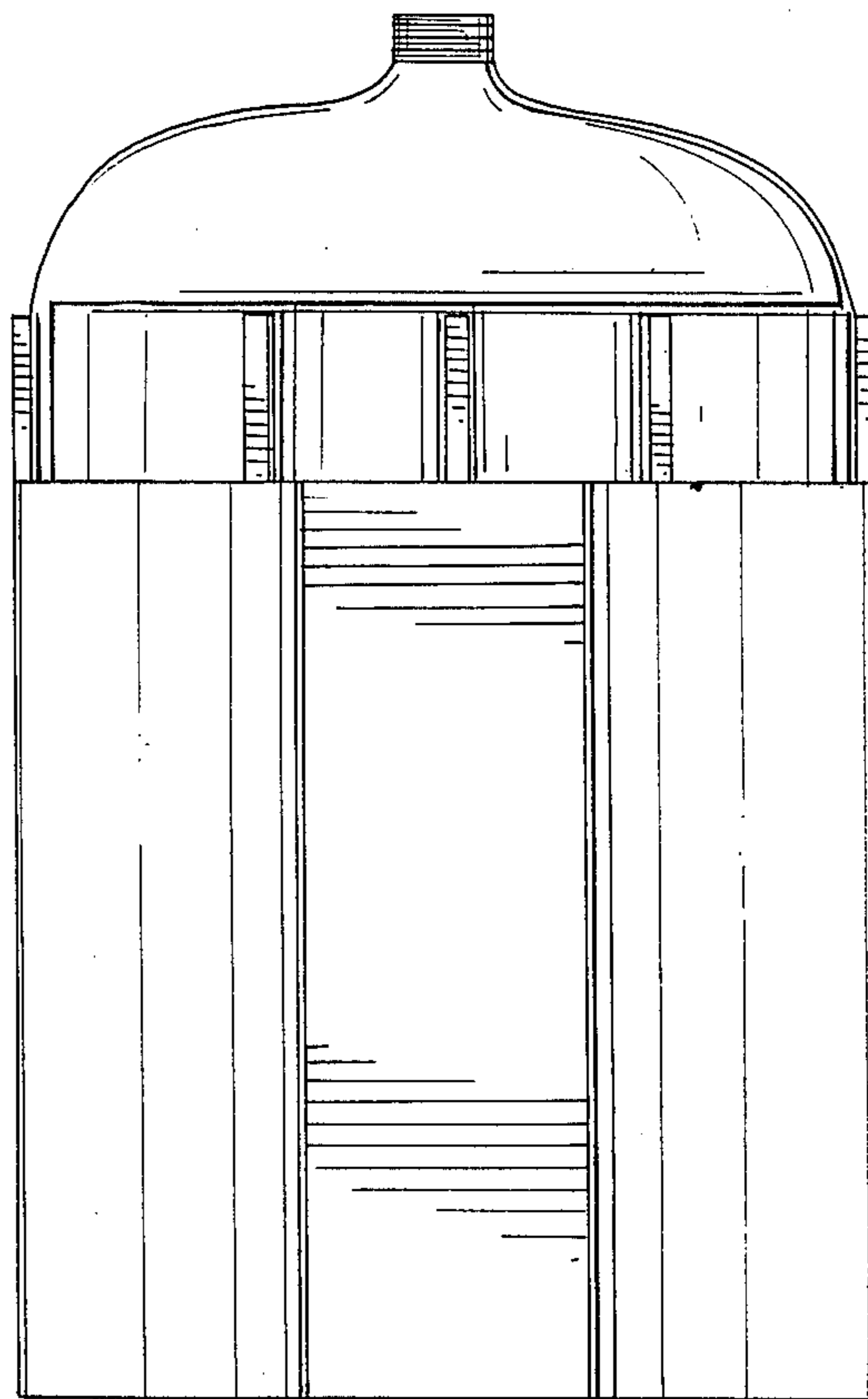


FIG. 3

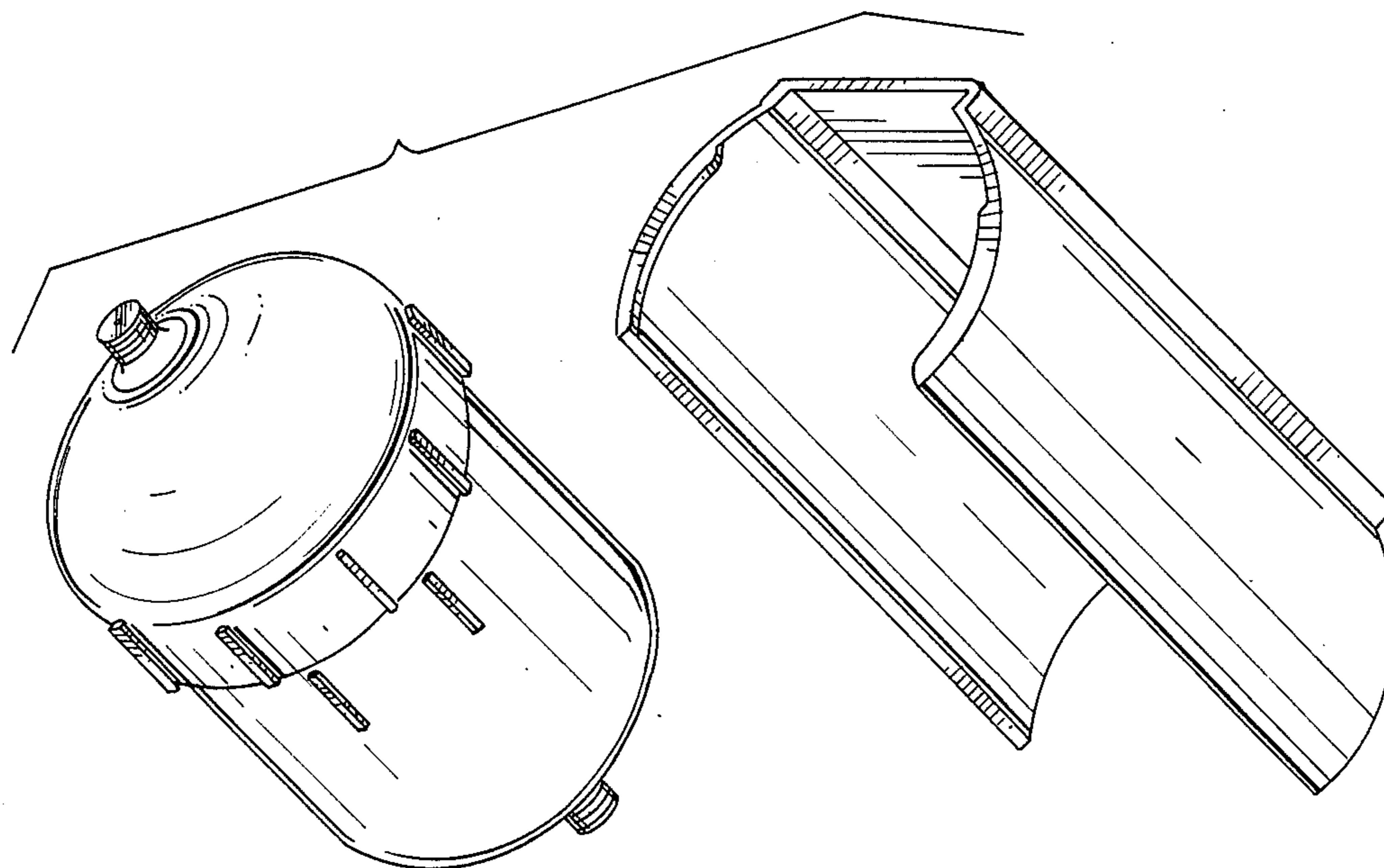


FIG. 7

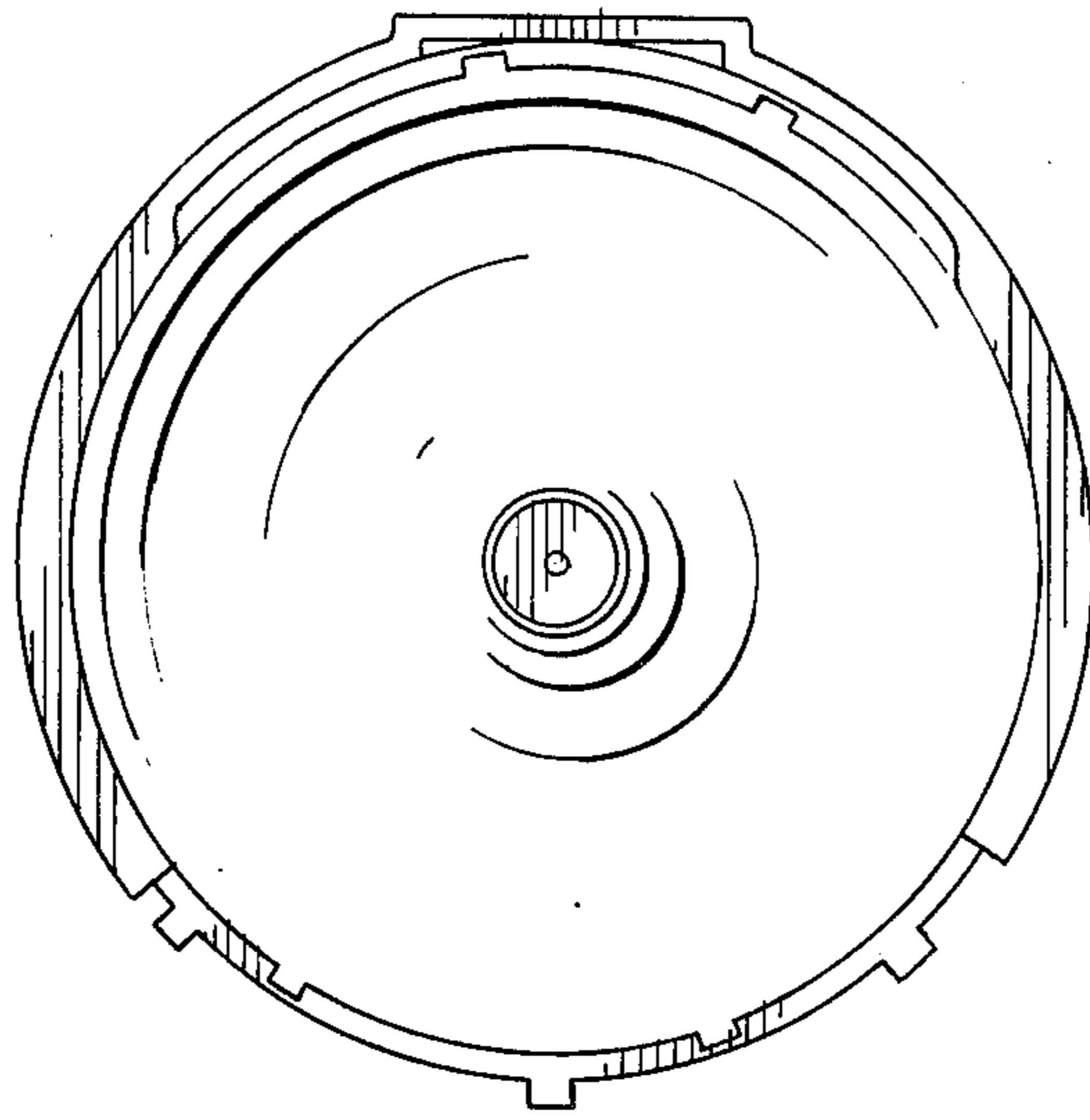


FIG. 5

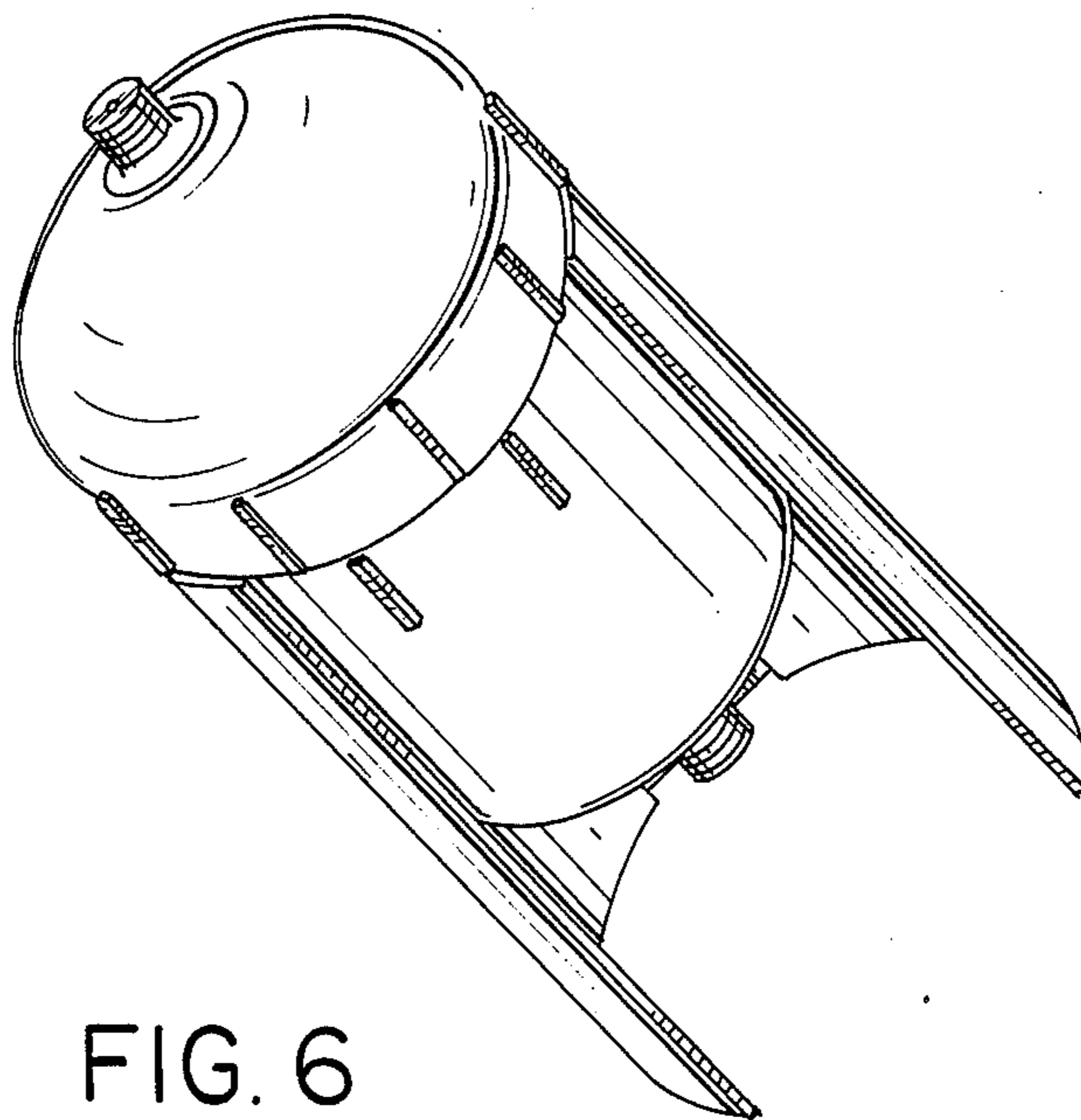


FIG. 6