

[54] AIR DELIVERY DUCT

[75] Inventors: Lewis Marton, Randwick; Colin Ward, Gordon, both of Australia

[73] Assignee: Atlas Air Australia Pty., Limited, Rozelle, Australia

[**] Term: 14 Years

[21] Appl. No.: 880,908

[22] Filed: Jul. 1, 1986

[30] Foreign Application Priority Data

Jan. 13, 1986 [AU] Australia 3838/86

[52] U.S. Cl. D23/387

[58] Field of Search D23/351-352, D23/370, 387, 390-391, 393; D26/107, 61-62; 98/40.01, 40.18, 40.19, 40.16, DIG. 7

[56] References Cited

U.S. PATENT DOCUMENTS

D. 238,959 2/1976 Kurokawa D26/107 X

D. 239,388 3/1976 Larkfeldt et al. D23/387

4,135,440 1/1979 Schmidt et al. 98/31

4,203,302 5/1980 Lapeyre 62/263 X

4,250,800 2/1981 Brockmeyer 98/40.19

4,253,384 3/1981 Schmidt et al. 98/40 R

4,353,411 10/1982 Harter et al. 98/40.19 X

4,612,909 9/1986 Lee D23/371 X

Primary Examiner—Wallace R. Burke
 Assistant Examiner—Brian N. Vinson
 Attorney, Agent, or Firm—Bacon & Thomas

[57] CLAIM

The ornamental design for an air delivery duct, as shown and described.

DESCRIPTION

FIG. 1 is a perspective view of an air delivery duct showing my new design;

FIG. 2 is a bottom plan view thereof;

FIG. 3 is a top plan view thereof;

FIG. 4 is a left side elevational view thereof;

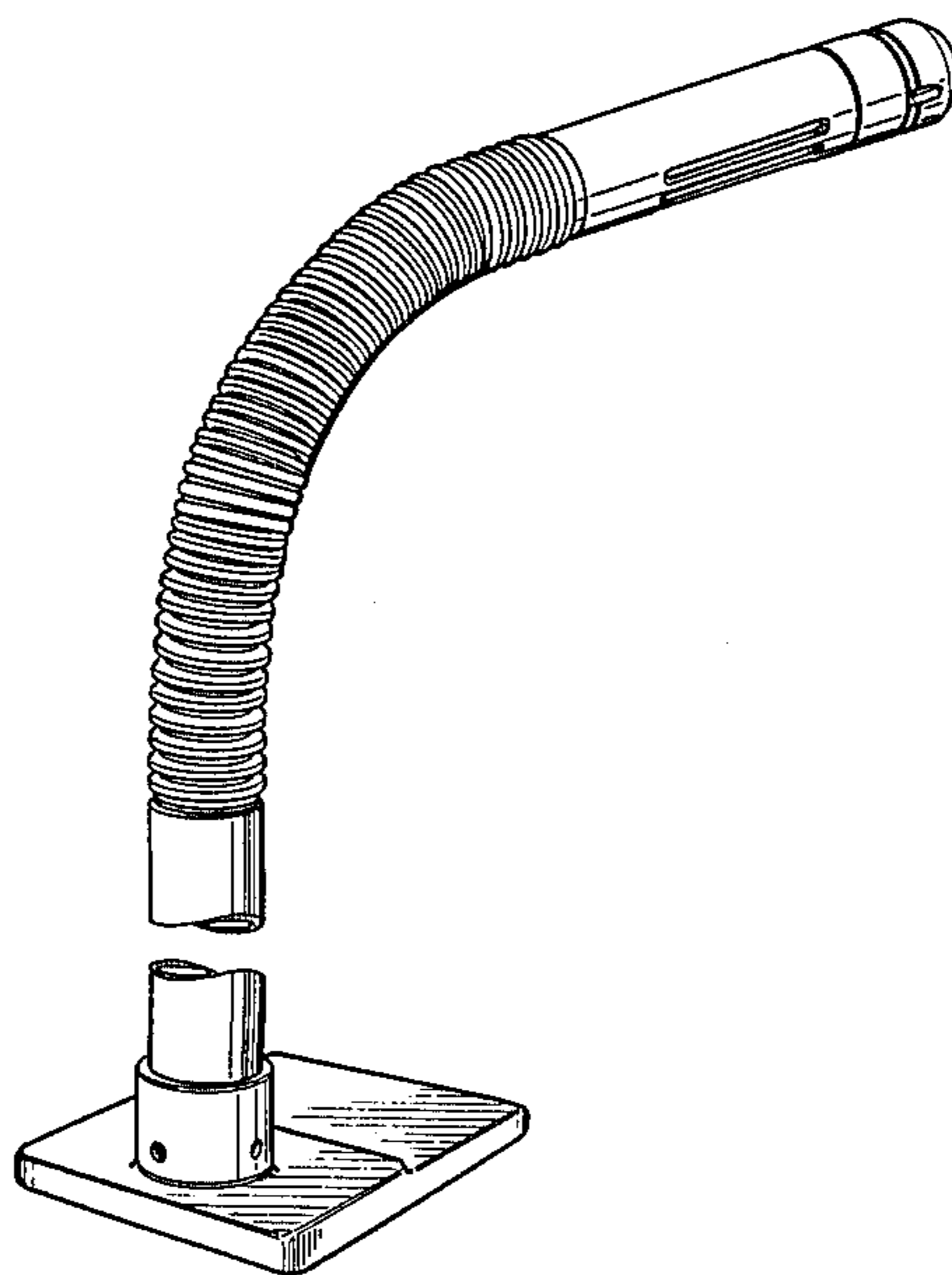
FIG. 5 is a right side elevational view thereof;

FIG. 6 is a front elevational view thereof;

FIG. 7 is a rear elevational view thereof; and

FIG. 8 is a perspective view thereof, with the flexible center section shown bent into a curved position.

The lower tubular portion is shown broken-away in the views to indicate indeterminate length.



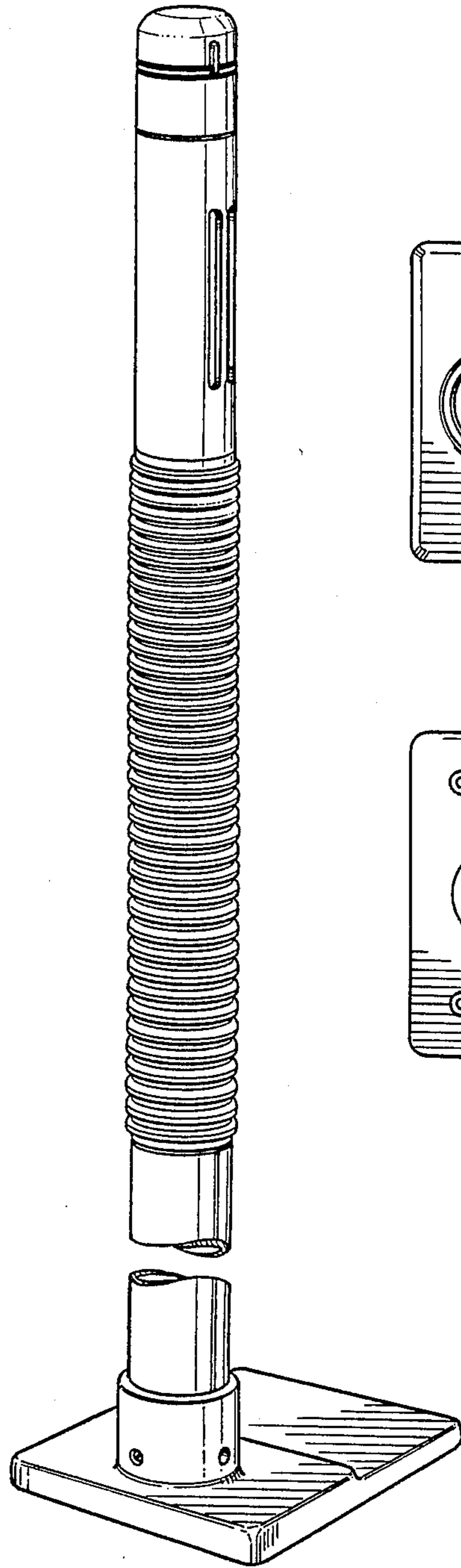


FIG. 3

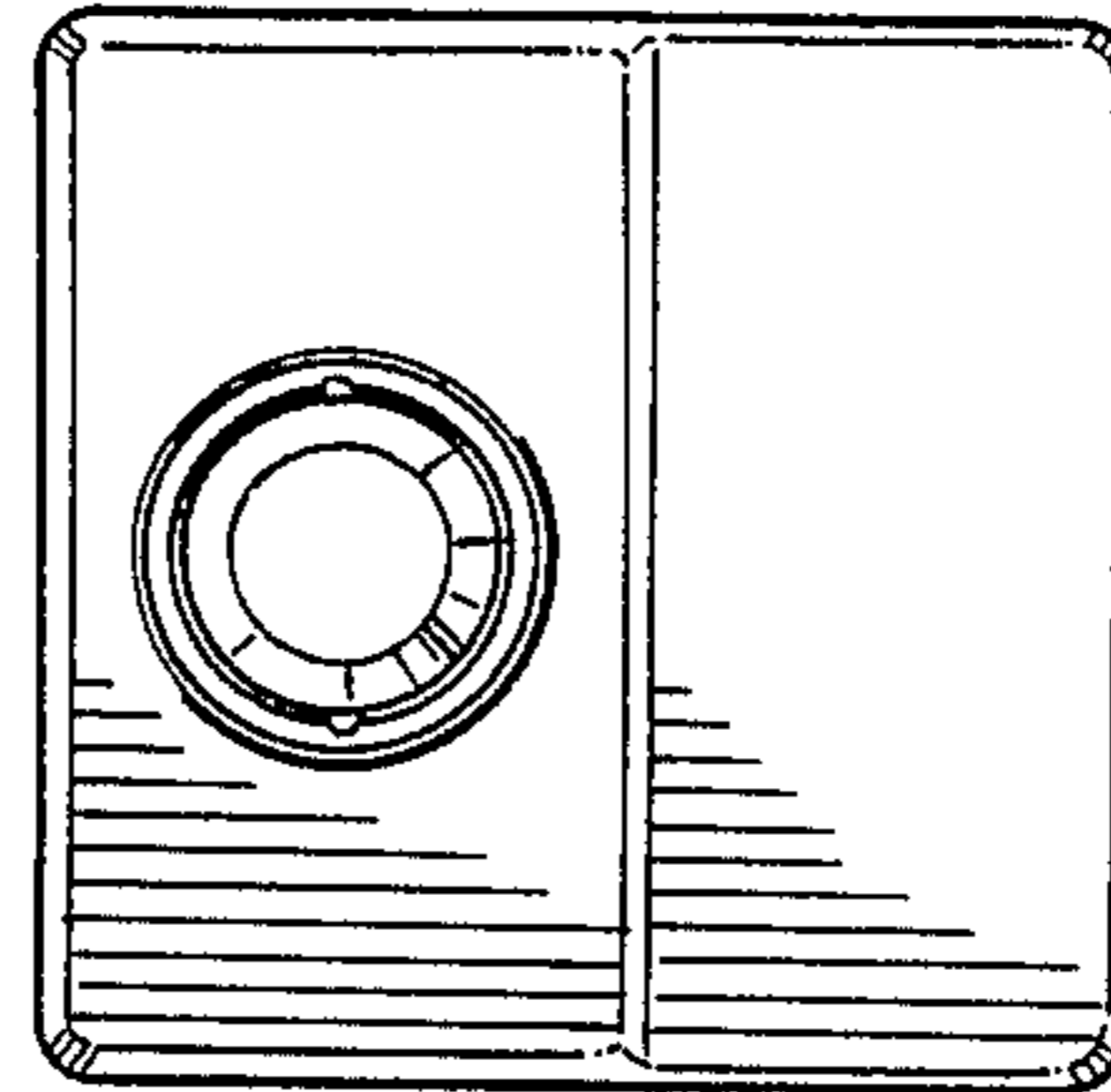


FIG. 2

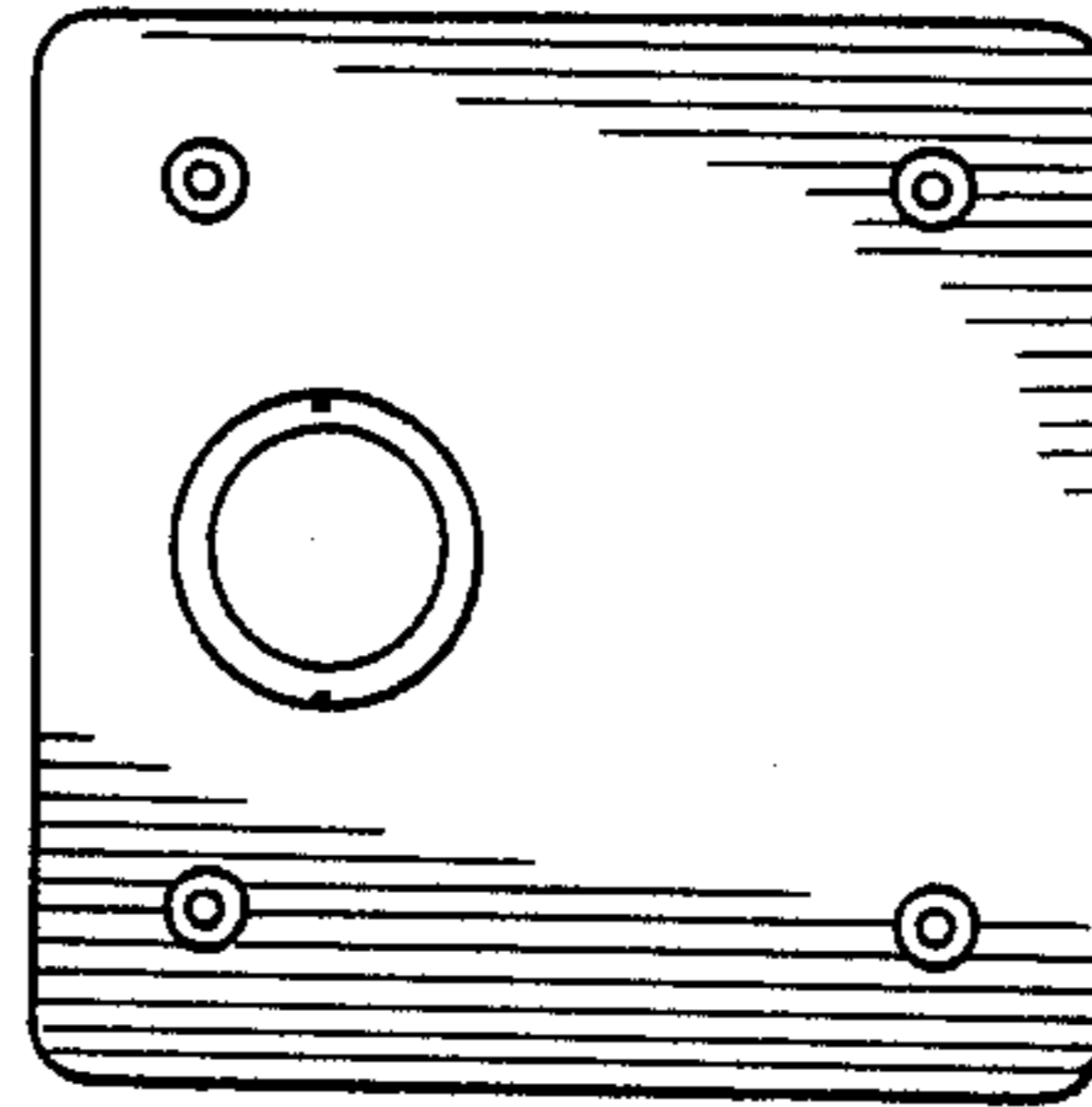


FIG. 1

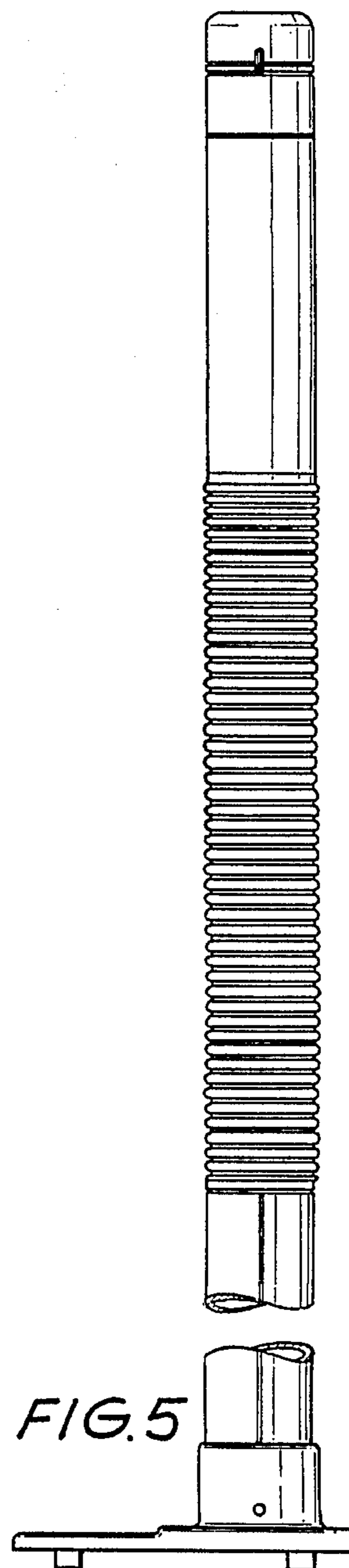
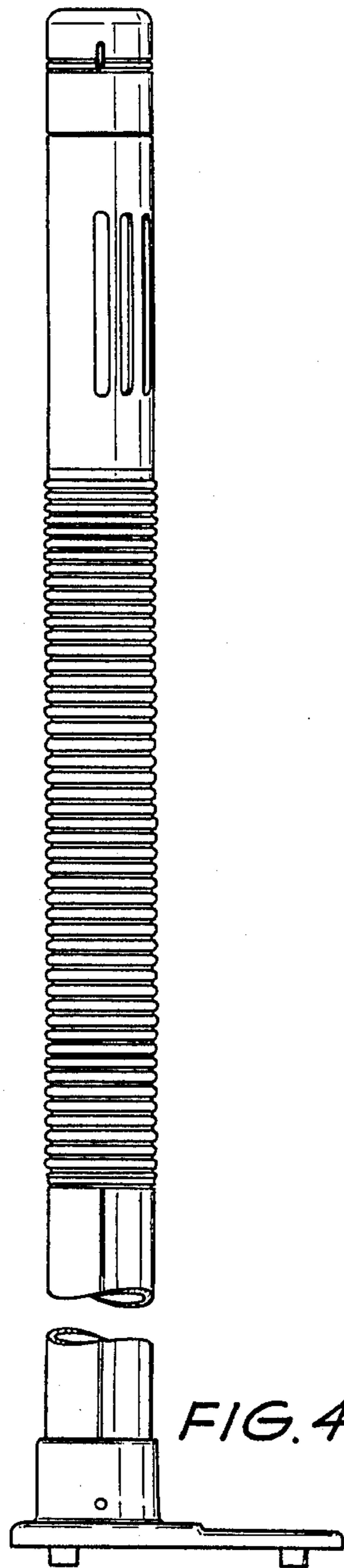




FIG. 6

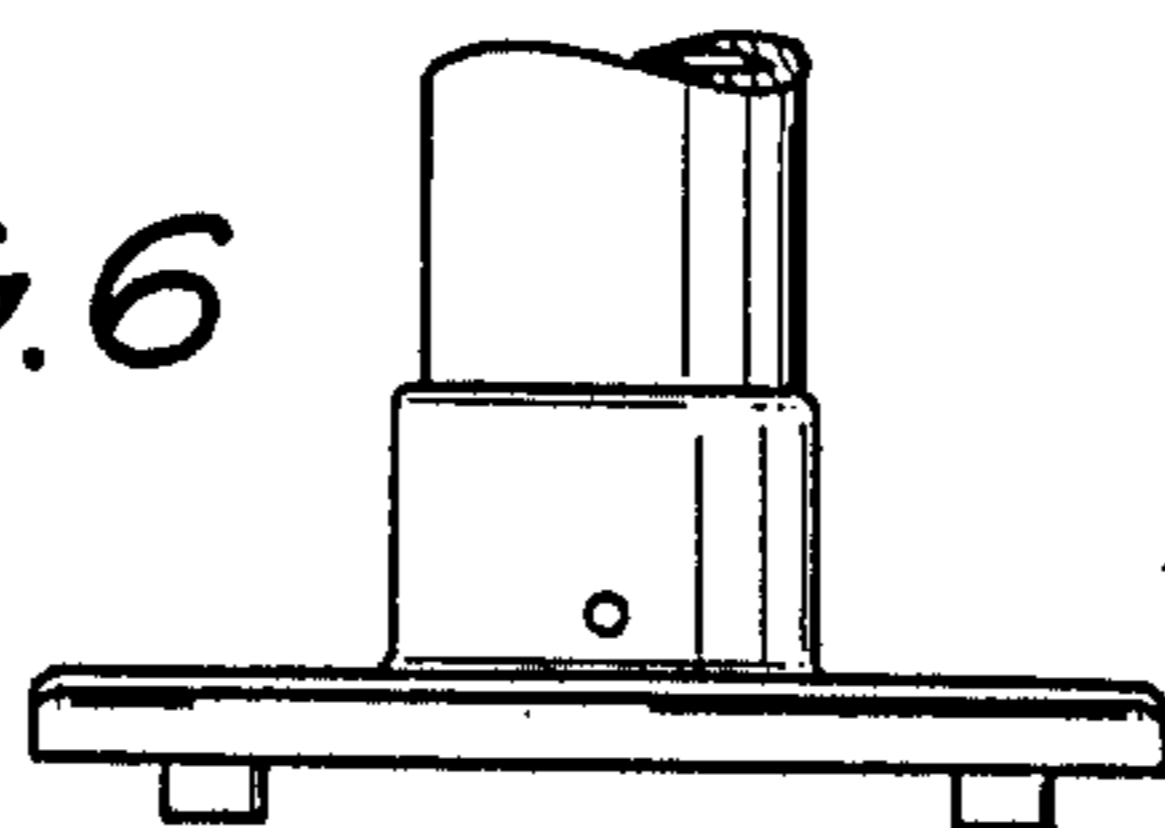
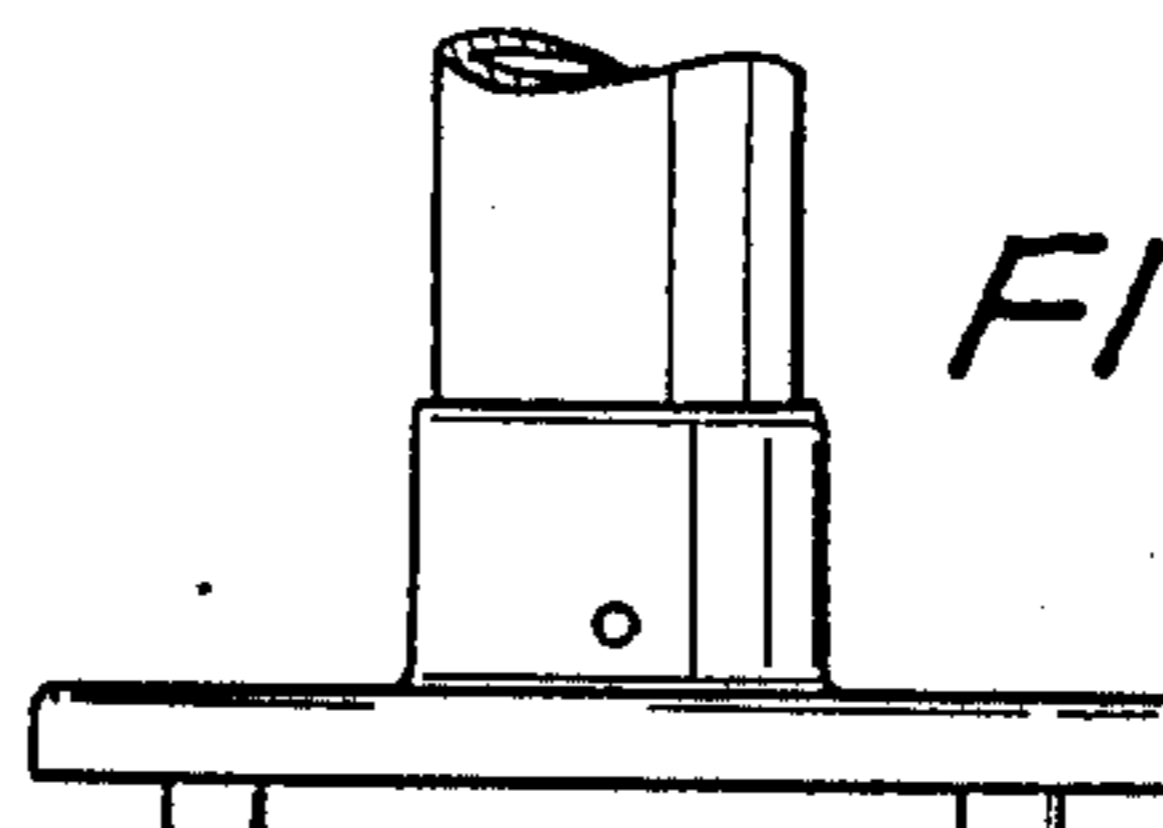


FIG. 7



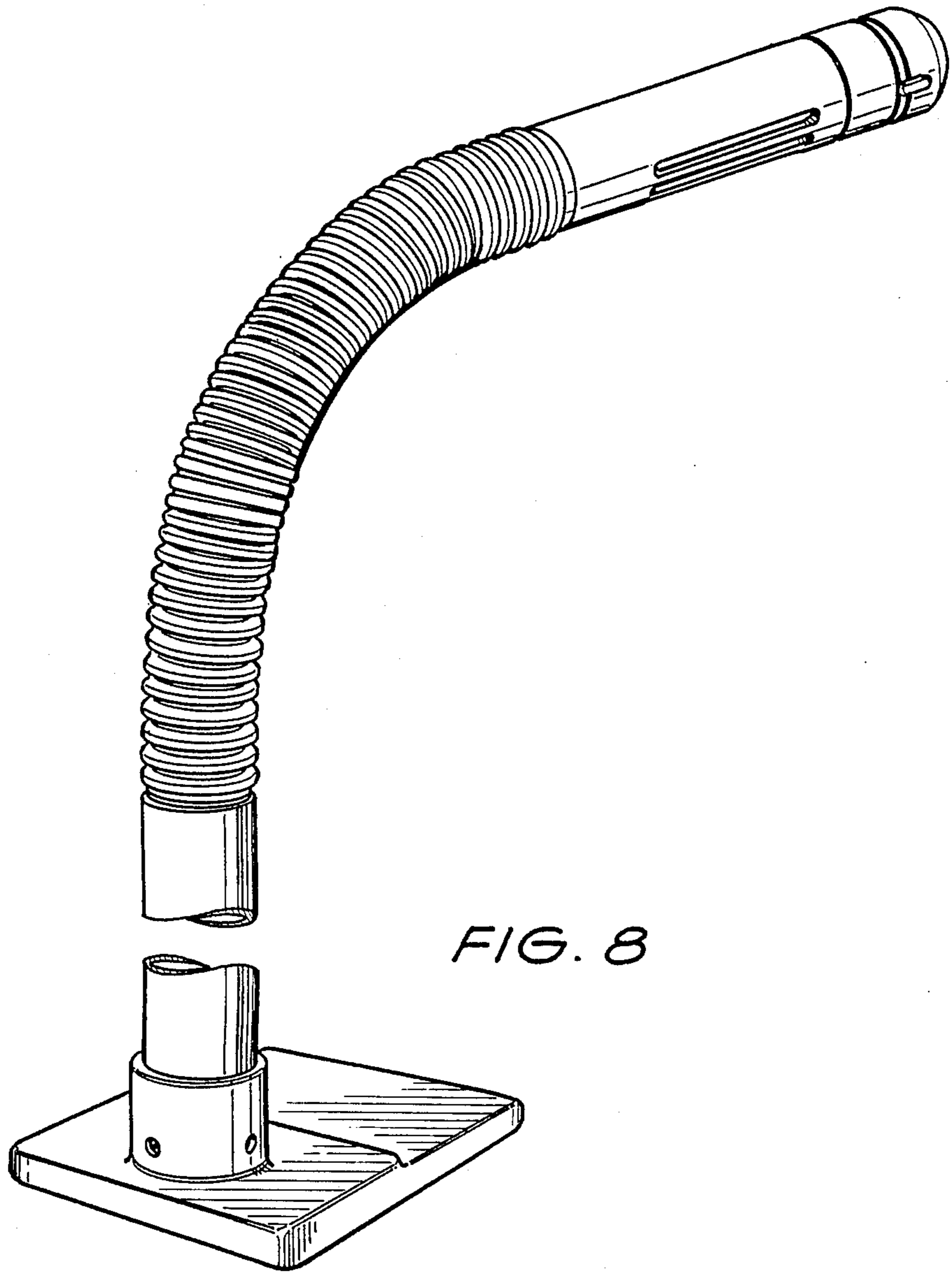


FIG. 8