

[54] INFLATOR FOR BUOYANCY COMPENSATOR

[75] Inventors: Robert L. Applegate, Jr., Long Beach; Dennis L. Hart, Hacienda Heights; Dean R. Garraffa, Garden Grove, all of Calif.

[73] Assignee: Under Sea Industries, Inc., Rancho Dominguez, Calif.

[\*\*] Term: 14 Years

[21] Appl. No.: 845,779

[22] Filed: Mar. 24, 1986

[52] U.S. Cl. .... D21/237; D29/7

[58] Field of Search ..... D29/6, 7; D21/237; 128/205, 24; 441/90, 92, 96, 117, 118; 405/186

[56] References Cited

U.S. PATENT DOCUMENTS

3,224,444	12/1965	Dempster .....	D29/7
3,727,250	4/1973	Koehn et al. ....	405/186
4,045,835	9/1977	Flam et al. ....	405/186
4,176,418	12/1979	Scott .....	441/96
4,454,893	6/1984	Orchard .....	128/205.24

FOREIGN PATENT DOCUMENTS

2949402	3/1980	Fed. Rep. of Germany .....	405/186
2084881	4/1982	United Kingdom .....	405/186

OTHER PUBLICATIONS

Skin Diver, Apr. 1976, p. 46, Inflation Devices on Buoyancy Compensators (middle, left).

Skin Diver, Feb. 1984, cover page, Alternate Inflator Regulator.

Primary Examiner—Wallace R. Burke

Assistant Examiner—Kay H. Chin

Attorney, Agent, or Firm—Fred Flam

[57] CLAIM

The ornamental design for an inflator for buoyancy compensator, as shown and described.

DESCRIPTION

FIG. 1 is a top plan view of an inflator for buoyancy compensator showing our new design;

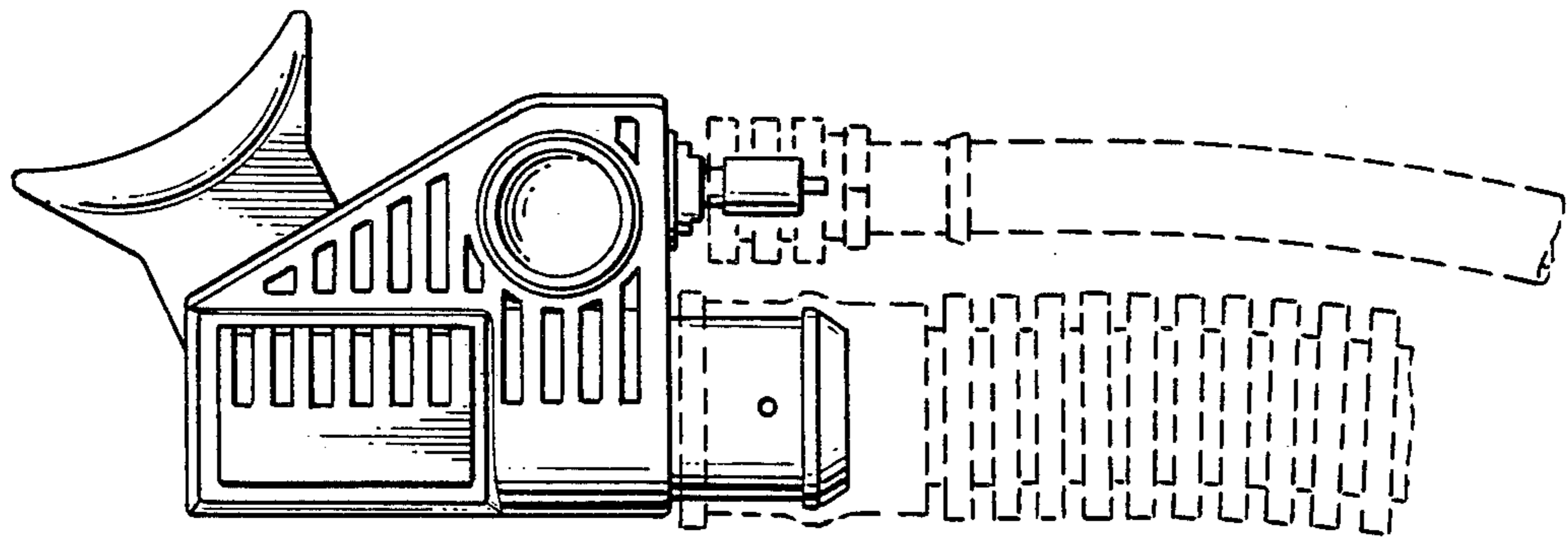
FIG. 2 is a front elevational view thereof, the broken lines of air hoses are for illustrative purposes only and form no part of the claimed design;

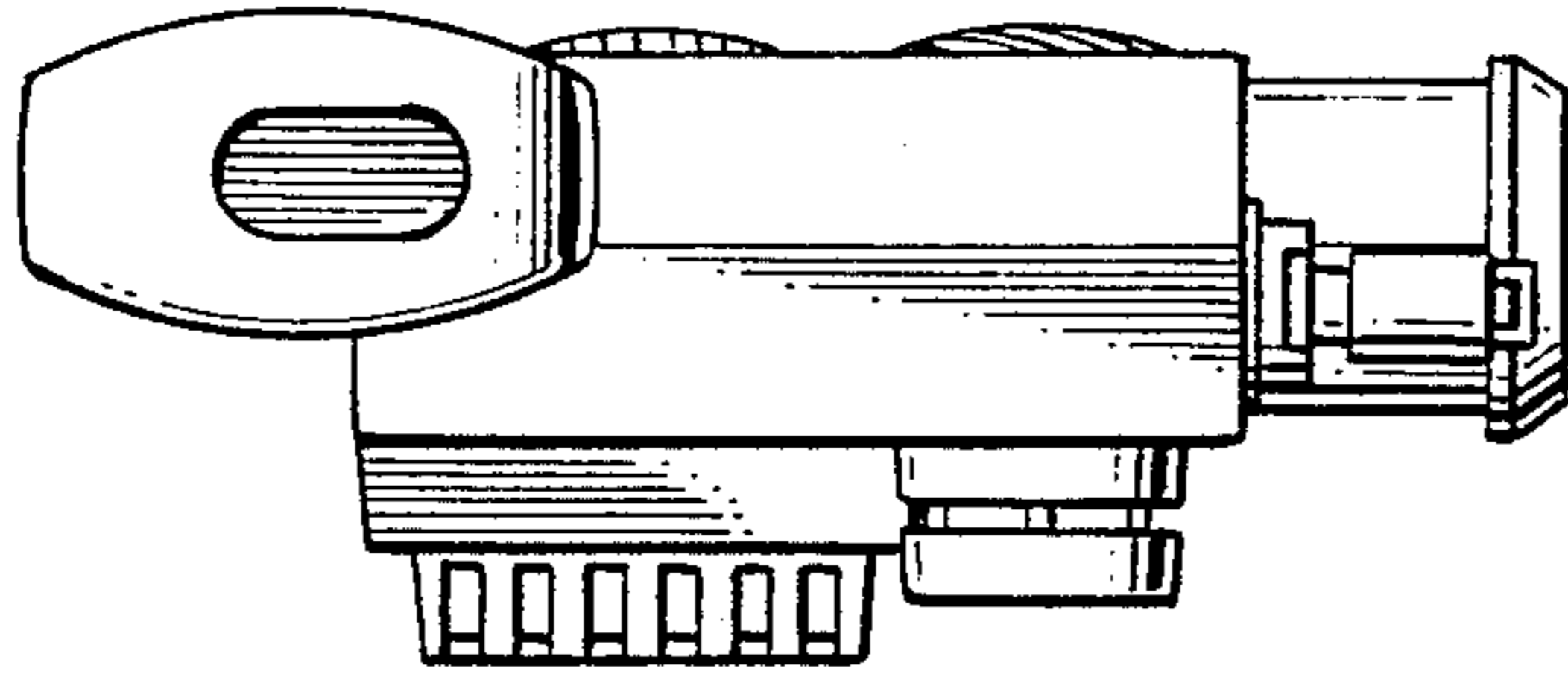
FIG. 3 is a bottom plan view thereof; and

FIG. 4 is a left side elevational view thereof;

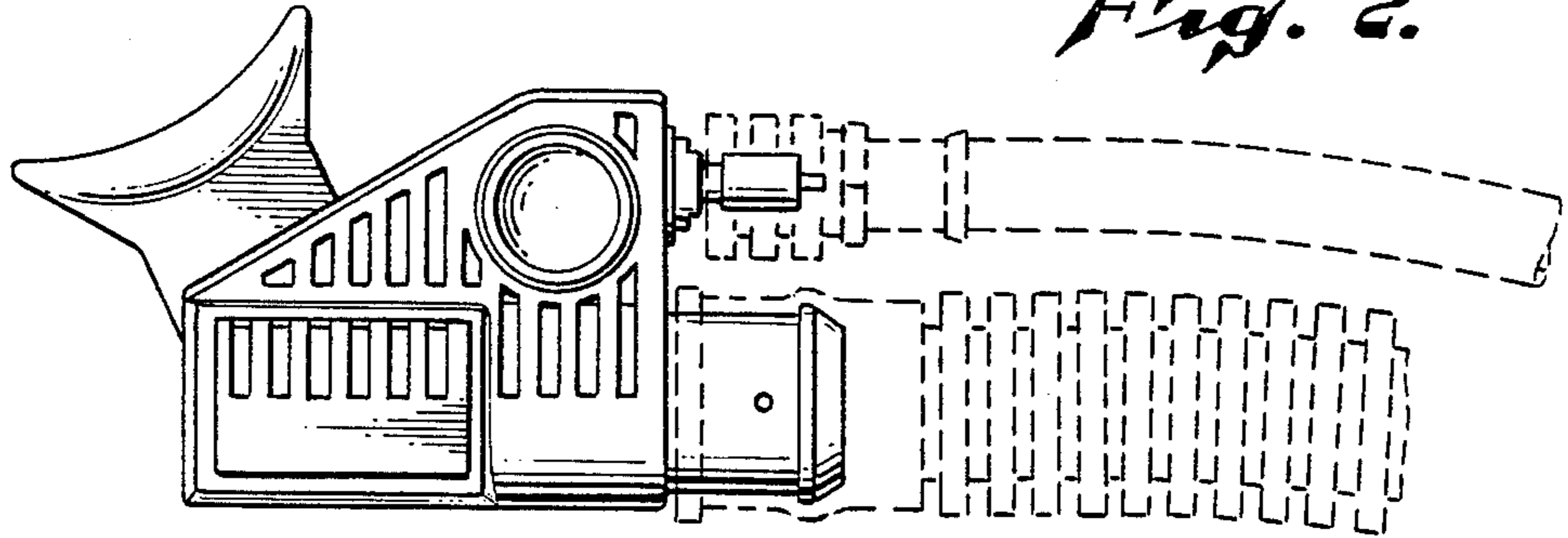
FIG. 5 is a right side elevational view thereof; and

FIG. 6 is a rear elevational view thereof.



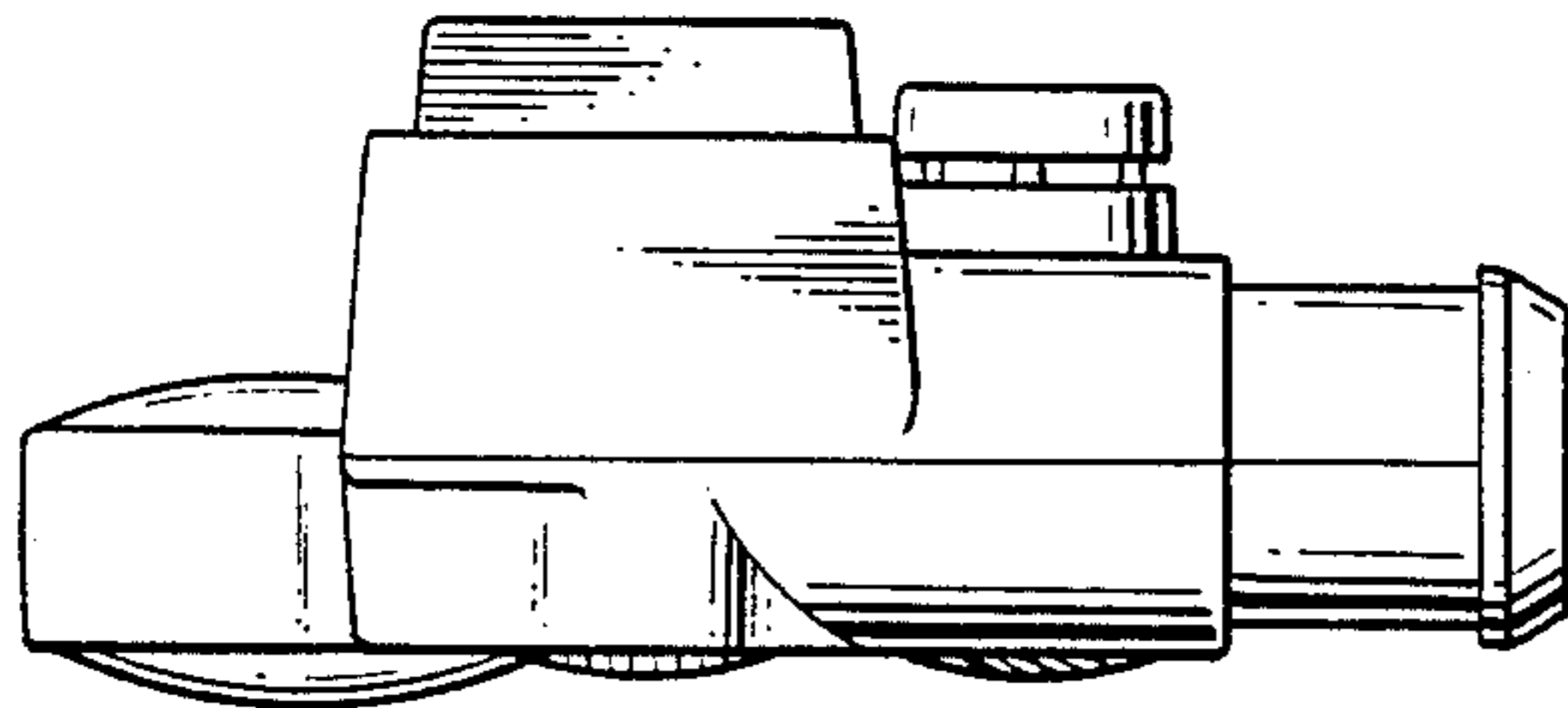


*Fig. 1.*

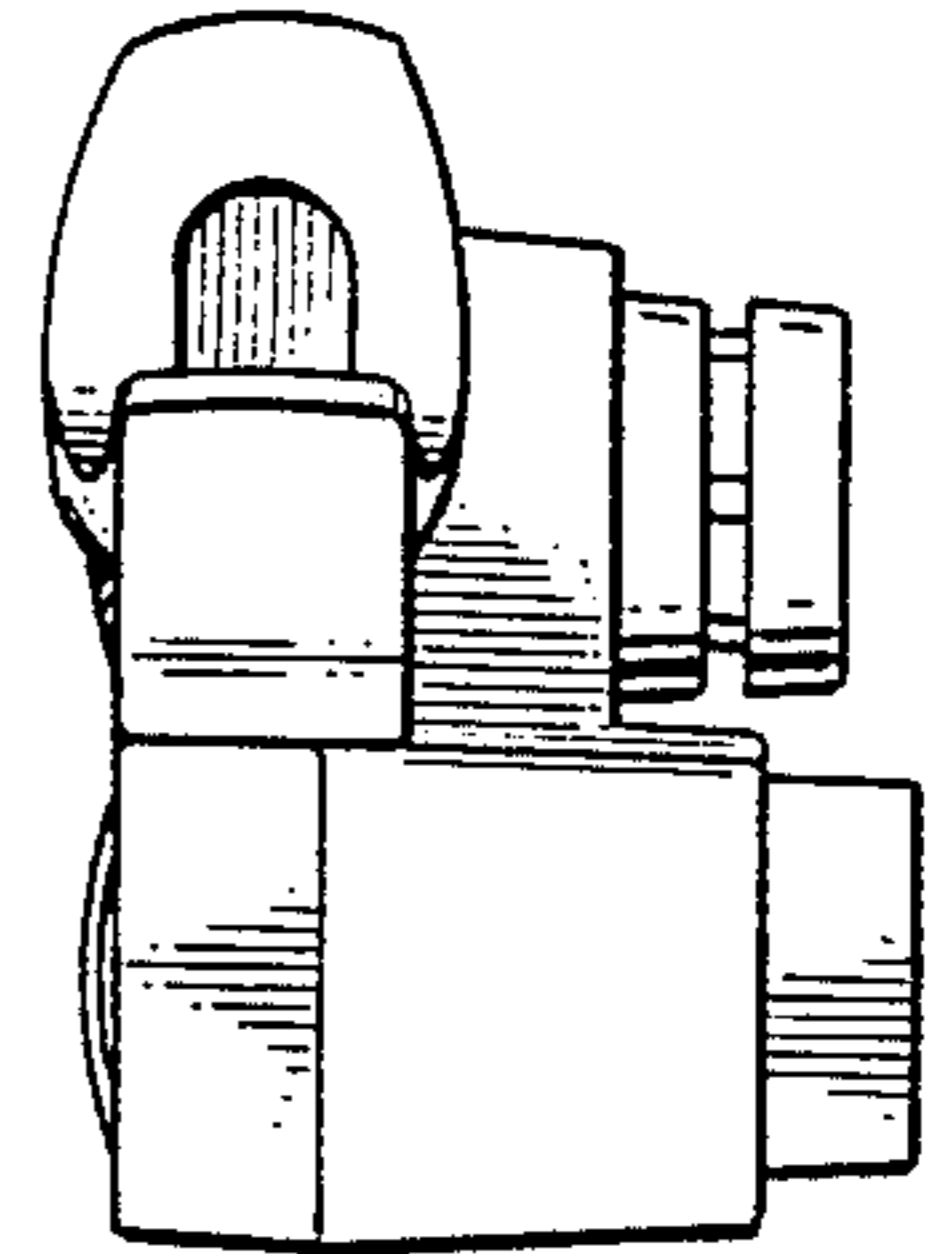


*Fig. 2.*

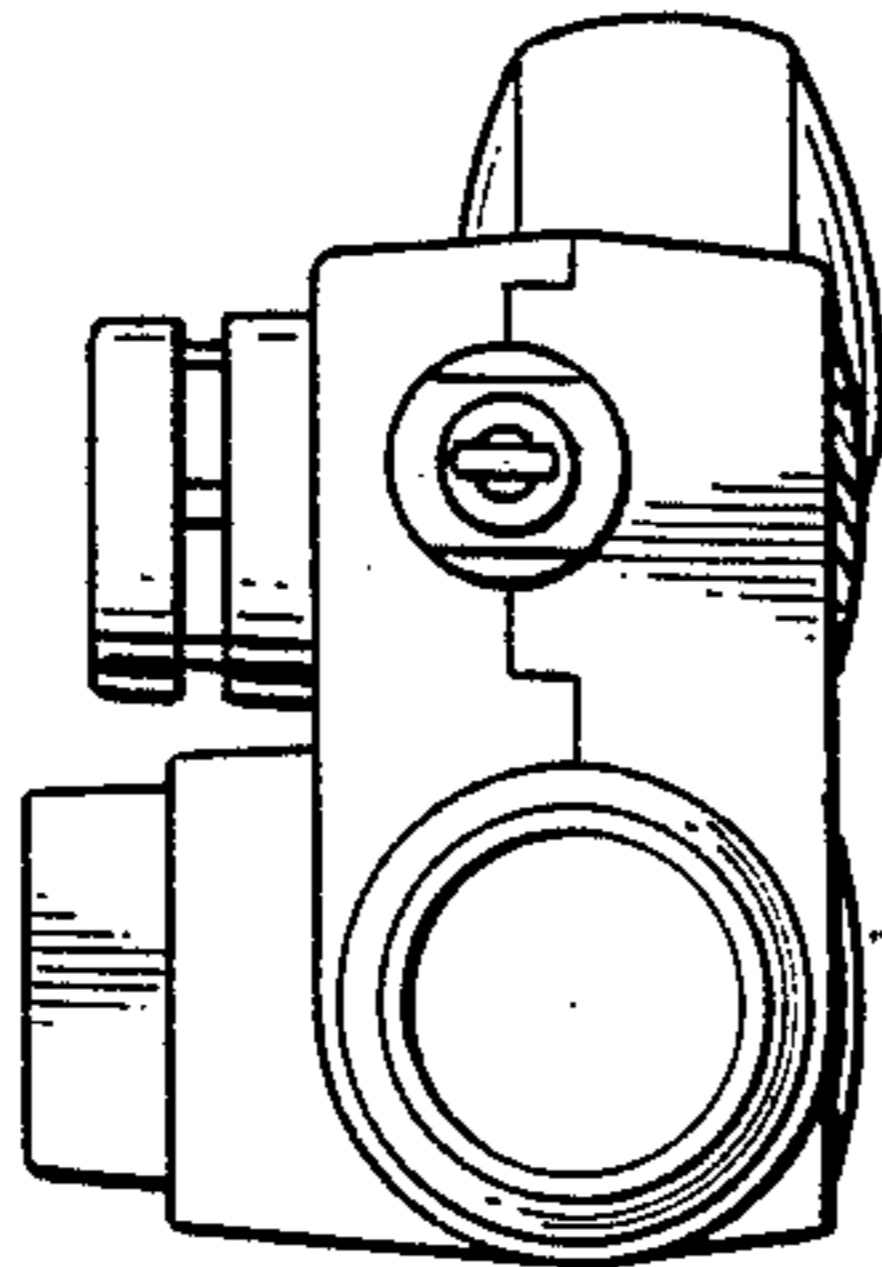
*Fig. 3.*



*Fig. 4.*



*Fig. 5.*



*Fig. 6.*

