

[54] **GOLF CLUB HEAD**

[76] **Inventor: Anthony J. Antonious, 205 E. Joppa Rd., Towson, Md. 21204**

[**] **Term: 14 Years**

[21] **Appl. No.: 744,139**

[22] **Filed: Jun. 12, 1985**

[52] **U.S. Cl. D21/217**

[58] **Field of Search D21/217-219; 273/167-175, 164**

[56] **References Cited**

PUBLICATIONS

Ping Putter by Karsten Mfg. Corp., pamphlet, 1971, p. 2, Cushin-4 putter lower left.
Northwestern 1976 Golf Cat., p. 27, middle right, putter No. 390-2700.

*Primary Examiner—Melvin B. Feifer
Attorney, Agent, or Firm—N. J. Aquilino*

[57] **CLAIM**

The ornamental design for a golf club head, as shown and described.

DESCRIPTION

FIG. 1 is a rear elevational view of the golf club head showing my new design;

FIG. 2 is an end elevational view thereof;

FIG. 3 is a top plan view thereof;

FIG. 4 is a bottom view thereof;

FIG. 5 is a front elevational view thereof;

FIG. 6 is an end elevational view taken from the opposite side of FIG. 2.

The characteristic feature of my design resides in the sole cavities in combination with the particular rear cavity club head form shown.

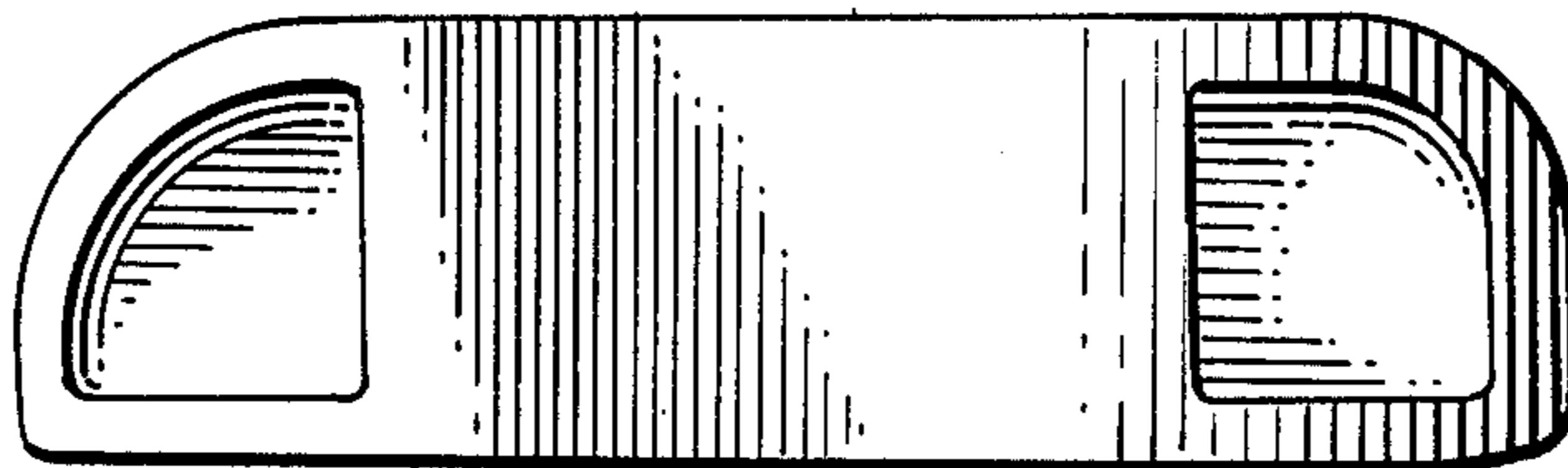
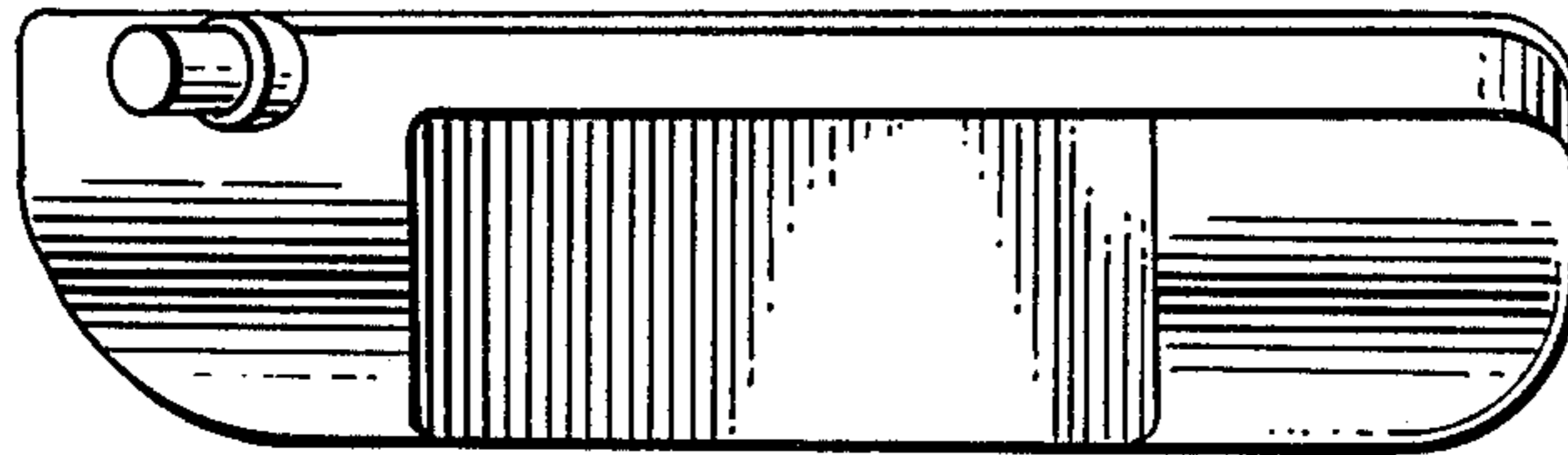


FIG. 1.

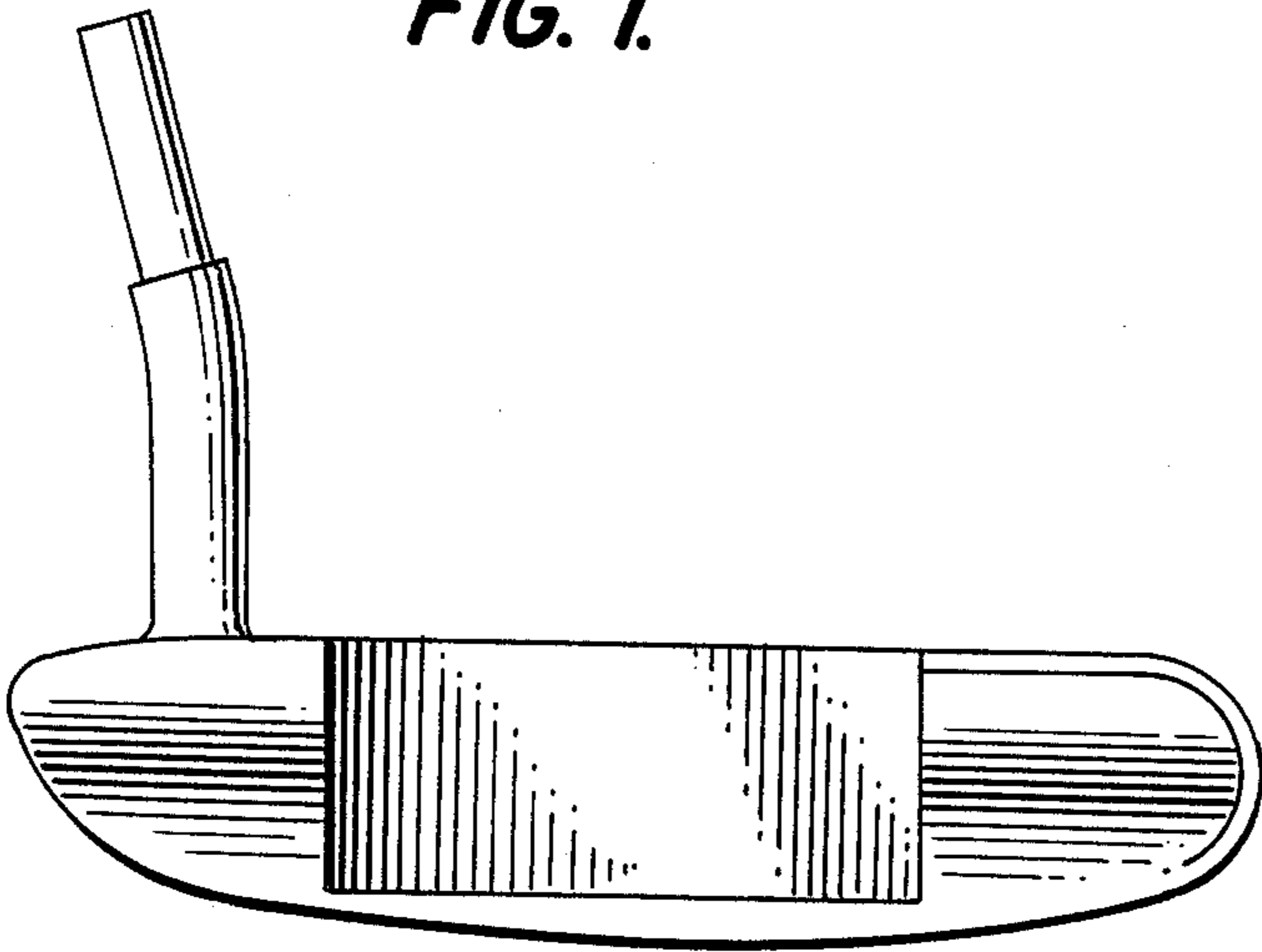


FIG. 2.

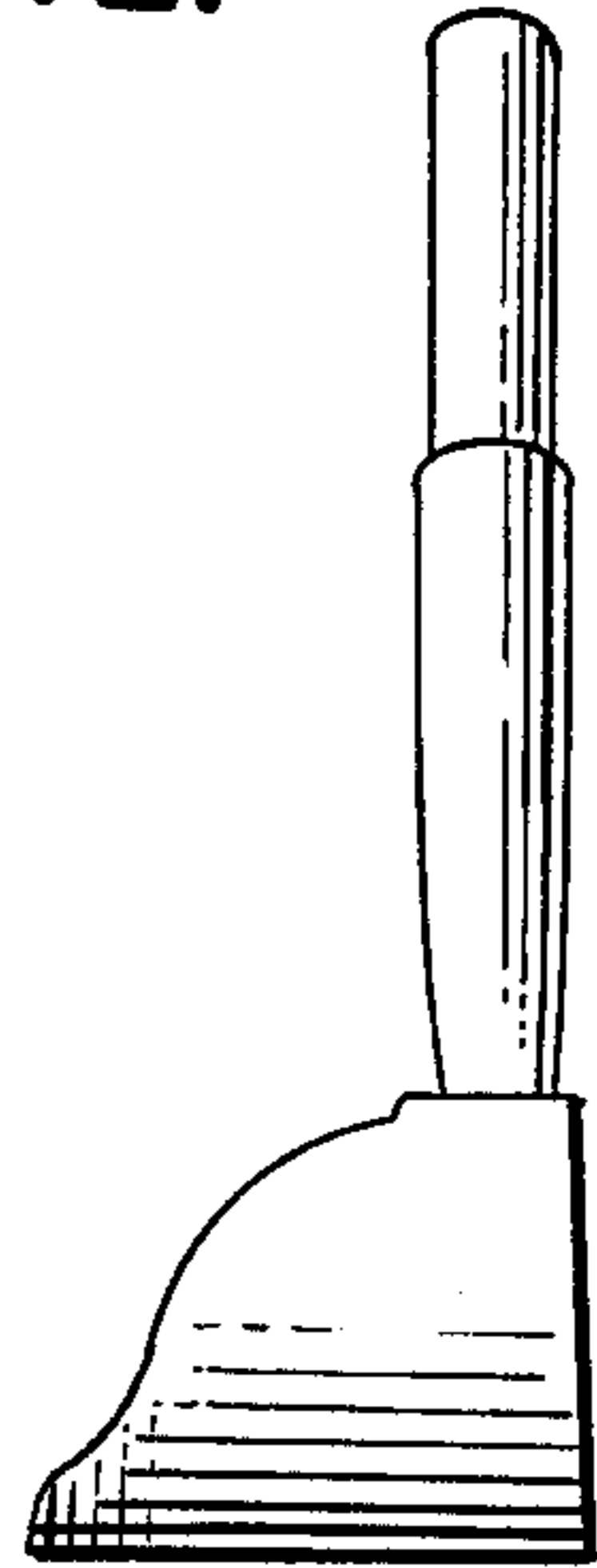


FIG. 3.

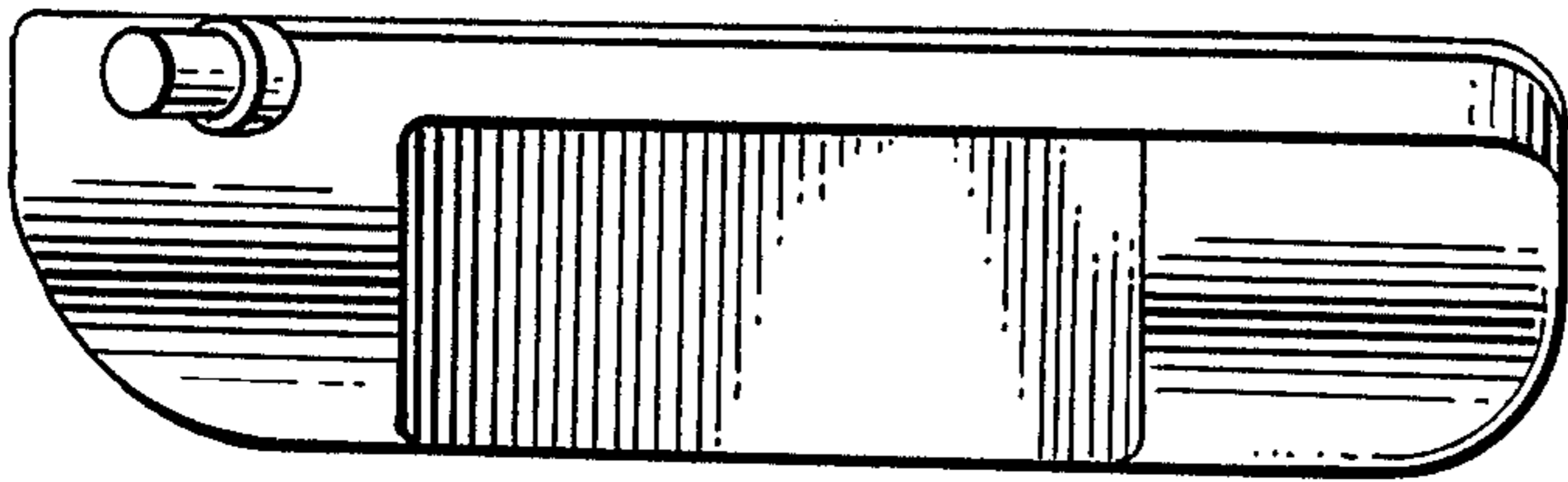


FIG. 4.

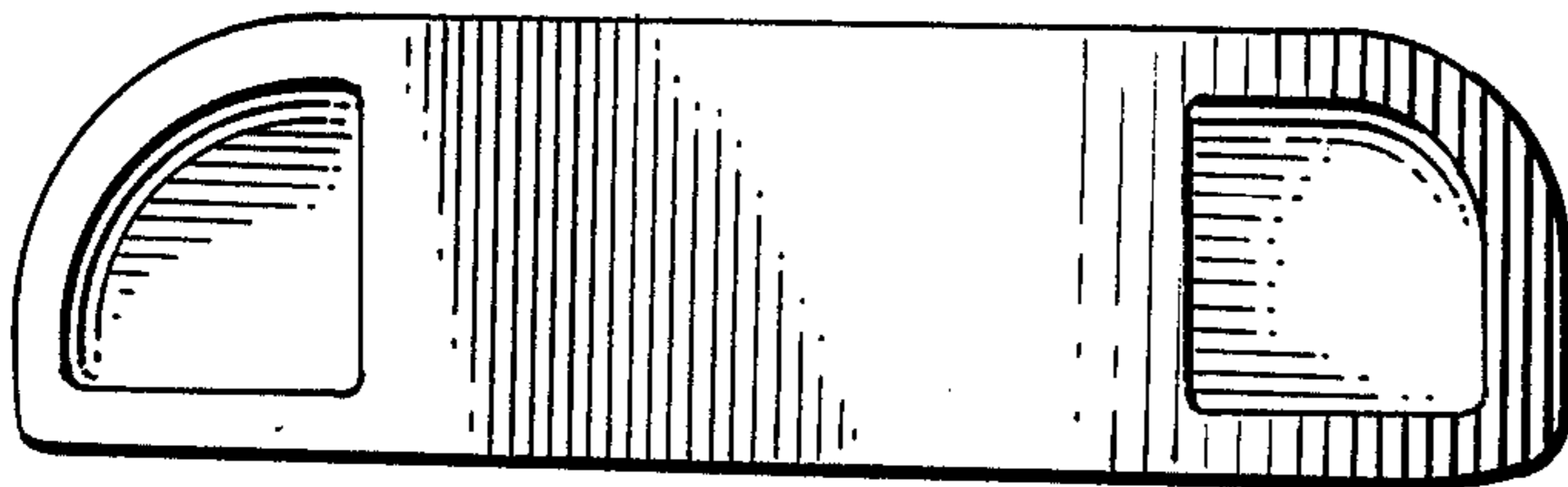


FIG. 5.

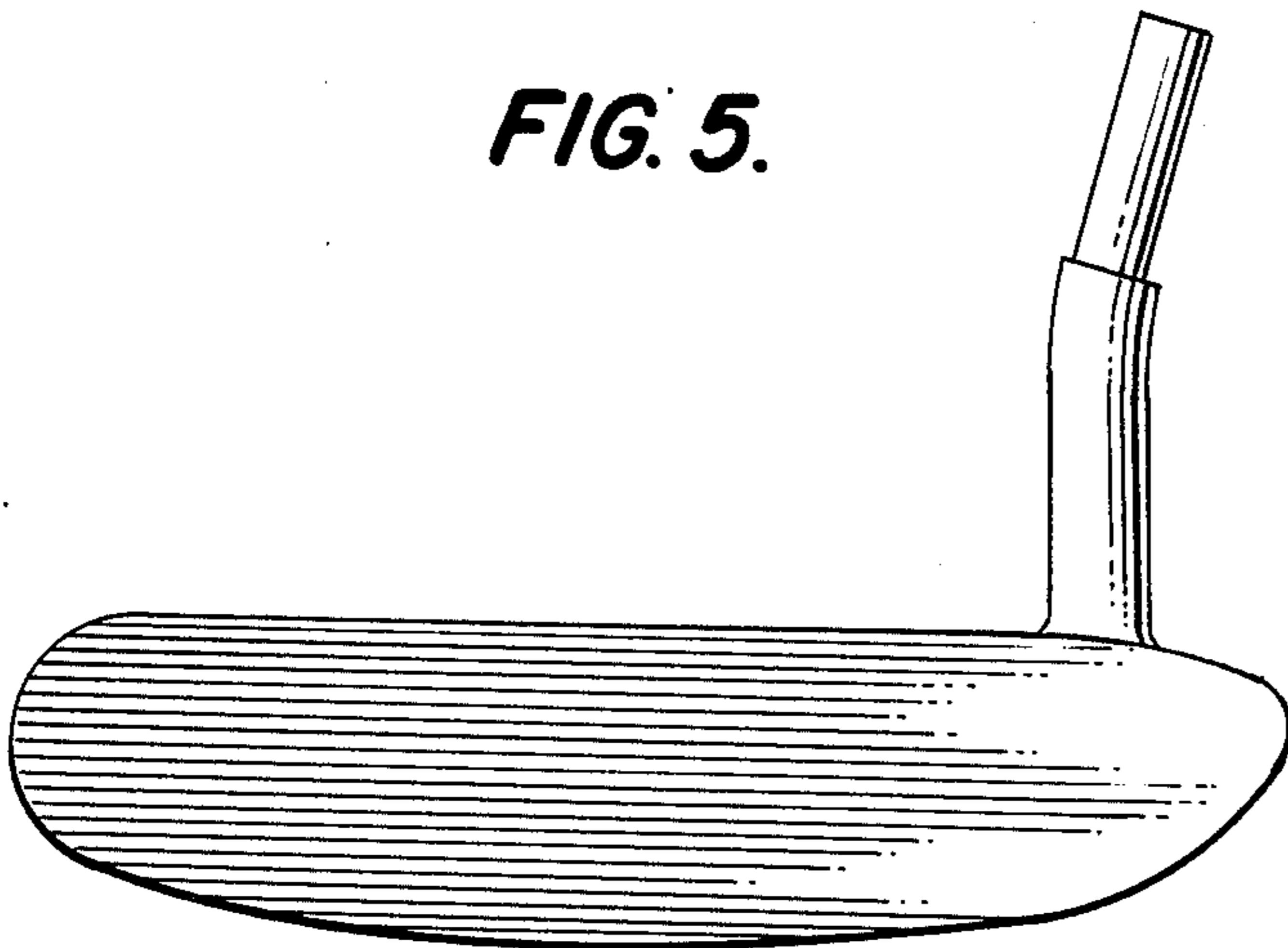


FIG. 6.

