

[54] **PHYSICAL EXERCISER**

[75] **Inventor: Roger Smith, Yoxall, England**

[73] **Assignee: Justwise Limited, London, England**

[**] **Term: 14 Years**

[21] **Appl. No.: 806,213**

[22] **Filed: Nov. 25, 1985**

[30] **Foreign Application Priority Data**

Jun. 7, 1985 [GB] United Kingdom 1027237

[52] **U.S. Cl. D21/194**

[58] **Field of Search D21/191-199;**
272/70, 3, 73, 132; 73/379

[56] **References Cited**

U.S. PATENT DOCUMENTS

D. 224,329	7/1972	Hjelmquist	D21/194
2,388,777	11/1945	Wentz	272/73
2,673,088	3/1954	Wentz	D21/194
3,759,511	9/1973	Zinkin et al.	272/73
4,071,235	1/1978	Zent	272/73

Primary Examiner—Charles A. Rademaker
Attorney, Agent, or Firm—Scrivener and Clarke

[57] **CLAIM**

The ornamental design for a physical exerciser, as shown.

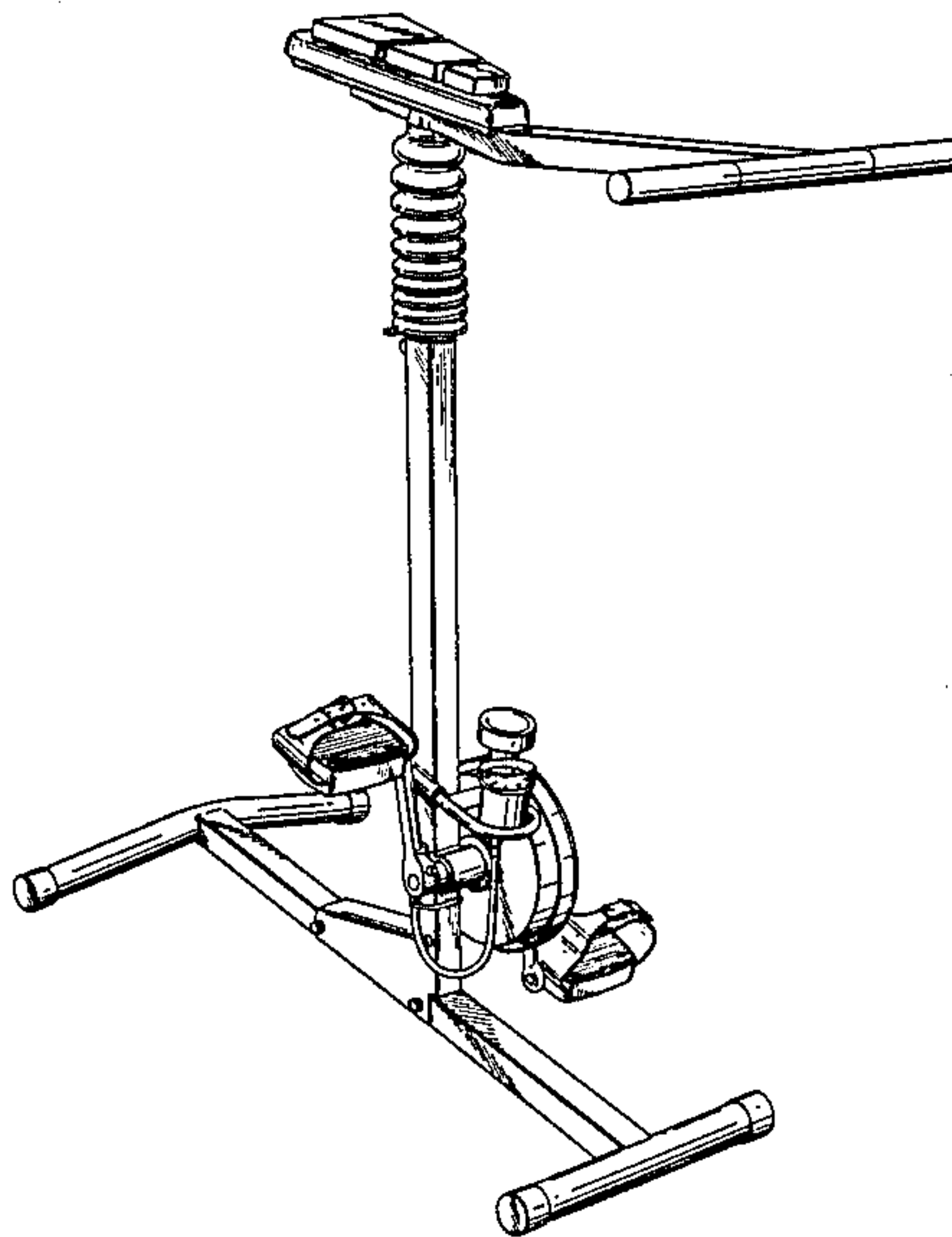
DESCRIPTION

FIG. 1 is a front perspective view of a physical exerciser showing my new design;

FIG. 2 is a side perspective view thereof;

FIG. 3 is a perspective view of the side opposite that show in FIG. 2; and

FIG. 4 is a rear perspective view thereof.



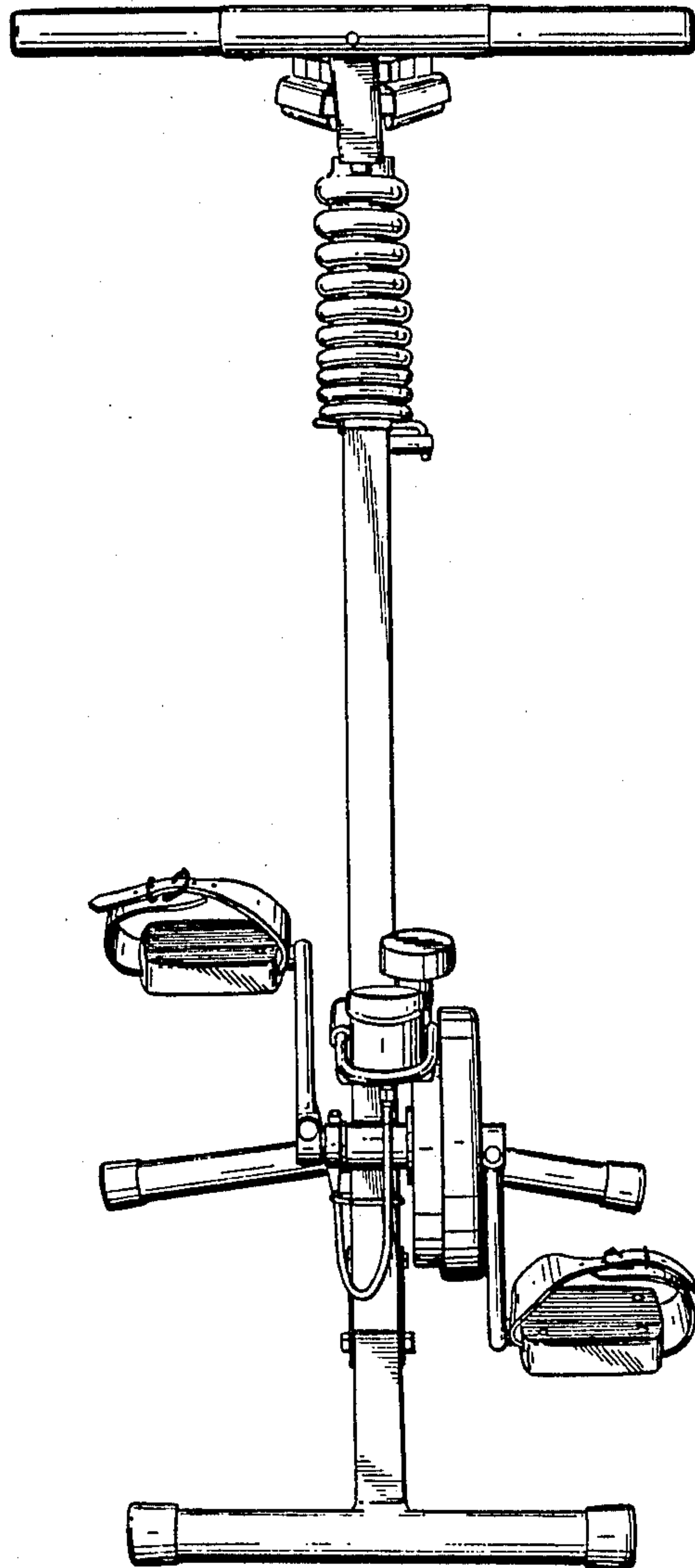


FIG. 1.

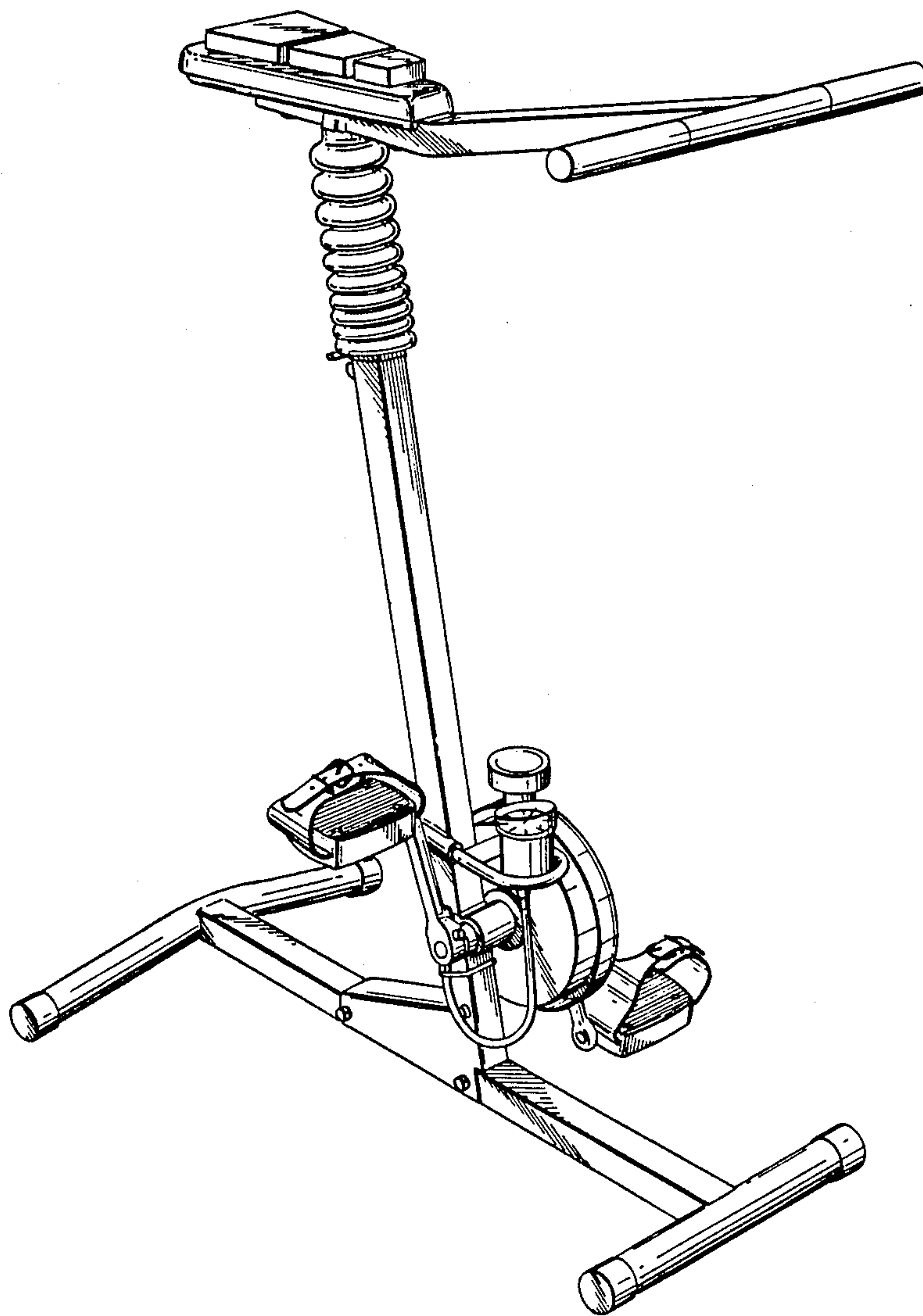


FIG. 2.

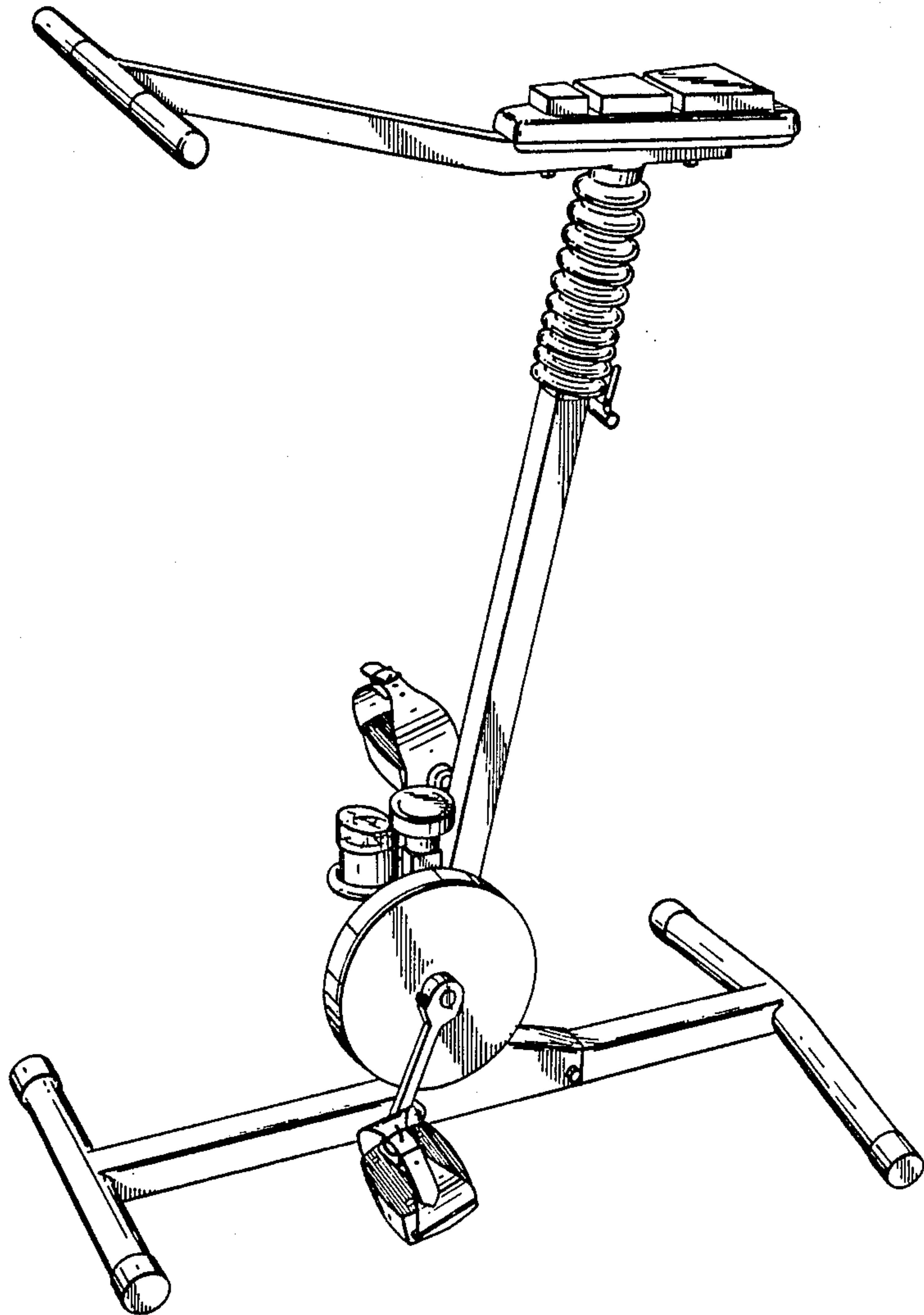


FIG. 3.

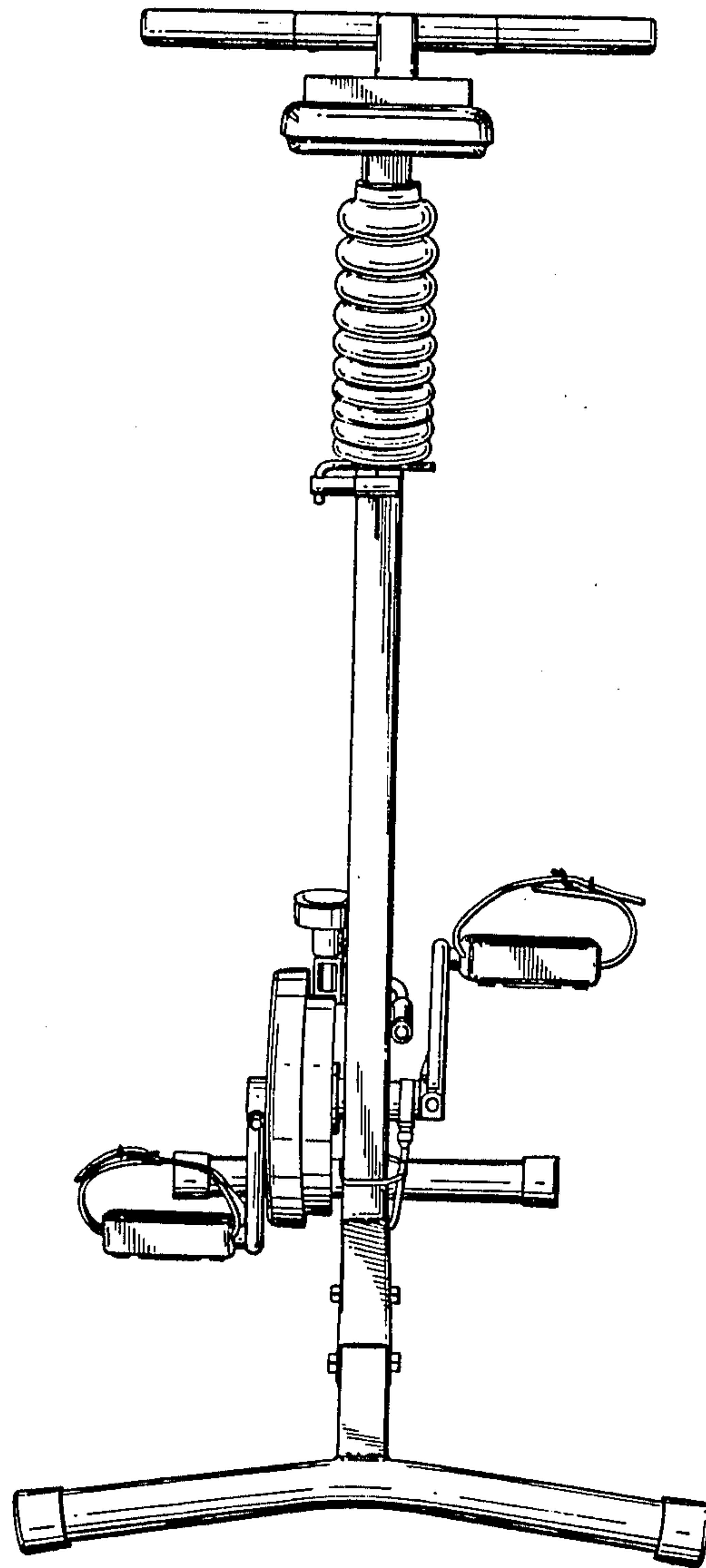


FIG. 4.

UNITED STATES PATENT AND TRADEMARK OFFICE
CERTIFICATE OF CORRECTION

PATENT NO. : Des. 297,153
DATED : August 9, 1988
INVENTOR(S) : Roger Smith

It is certified that error appears in the above-identified patent and that said Letters Patent are hereby corrected as shown below:

On the title page, Assignee should read

-- [73] Assignee: Justwise Limited, London, England;
Roger Smith and Pamela Mary Lily Smith,
a partnership of Yoxall, England --.

Signed and Sealed this
Twenty-eighth Day of February, 1989

Attest:

Attesting Officer

DONALD J. QUIGG

Commissioner of Patents and Trademarks