

[54] REVOLVER RECOIL COMPENSATOR

[76] Inventor: Tom E. Clarke, 2510 Castillo St., Santa Barbara, Calif. 93105

[**] Term: 14 Years

[21] Appl. No.: 805,900

[22] Filed: Nov. 20, 1985

[52] U.S. Cl. D22/108

[58] Field of Search 42/1.06, 76.01, 79, 42/97; D22/108

[56] References Cited

U.S. PATENT DOCUMENTS

- D. 118,498 1/1940 Fink D22/108
- D. 275,123 8/1984 Nilsson D22/108
- D. 285,331 8/1986 Cellini D22/108

Primary Examiner—A. Hugo Word

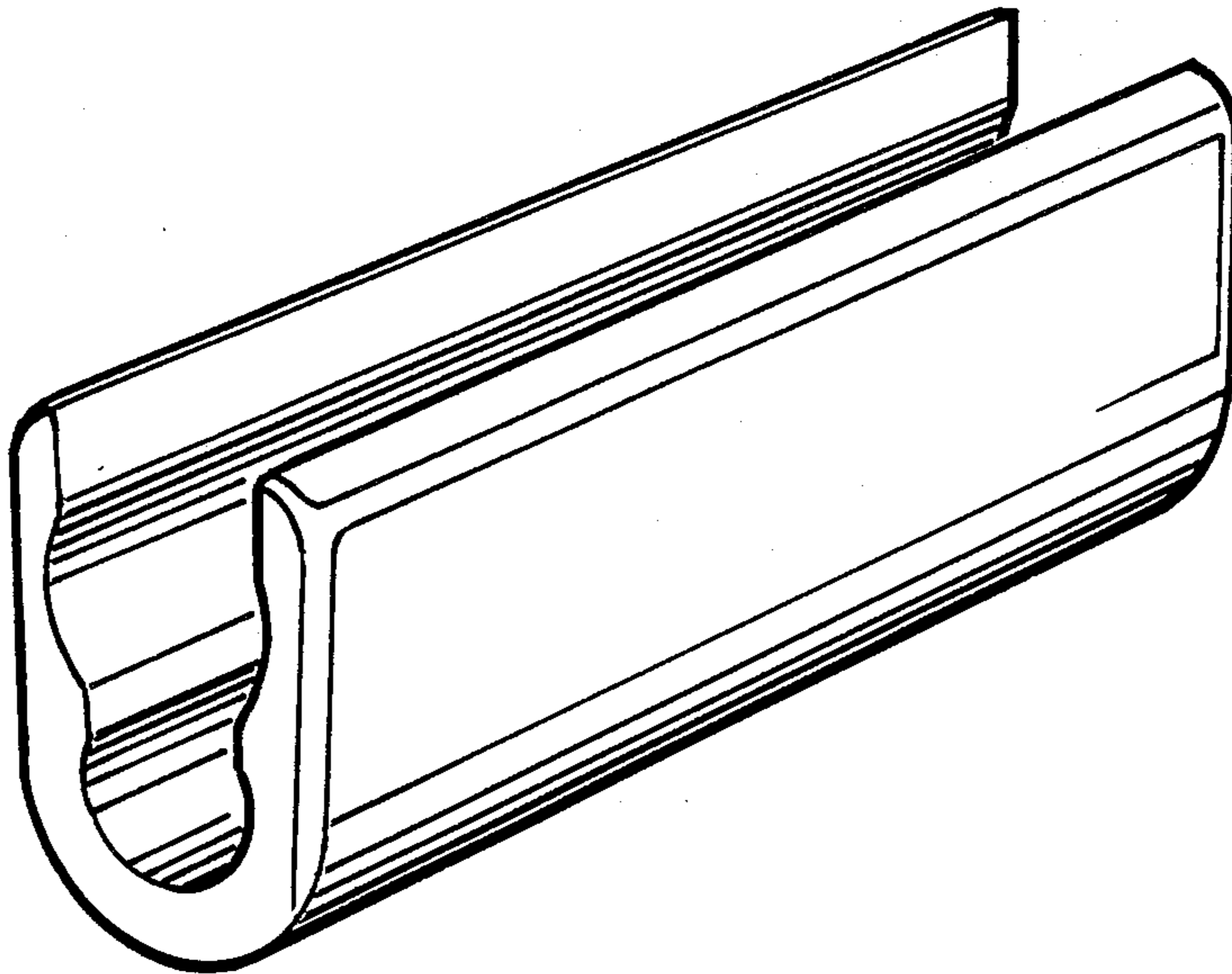
Attorney, Agent, or Firm—Harry W. Brelsford

[57] CLAIM

The ornamental design for the revolver recoil compensator, as shown.

DESCRIPTION

FIG. 1 is a perspective view of a revolver recoil compensator showing my new design;
 FIG. 2 is a left hand end view of the compensator of FIG. 1;
 FIG. 3 is a front elevation view of the compensator of FIG. 1;
 FIG. 4 is a right hand end view of the compensator of FIG. 1;
 FIG. 5 is a bottom view of the compensator of FIG. 1;
 FIG. 6 is a back elevation view of the compensator of FIG. 1;
 FIG. 7 is a top view of the compensator of FIG. 1.



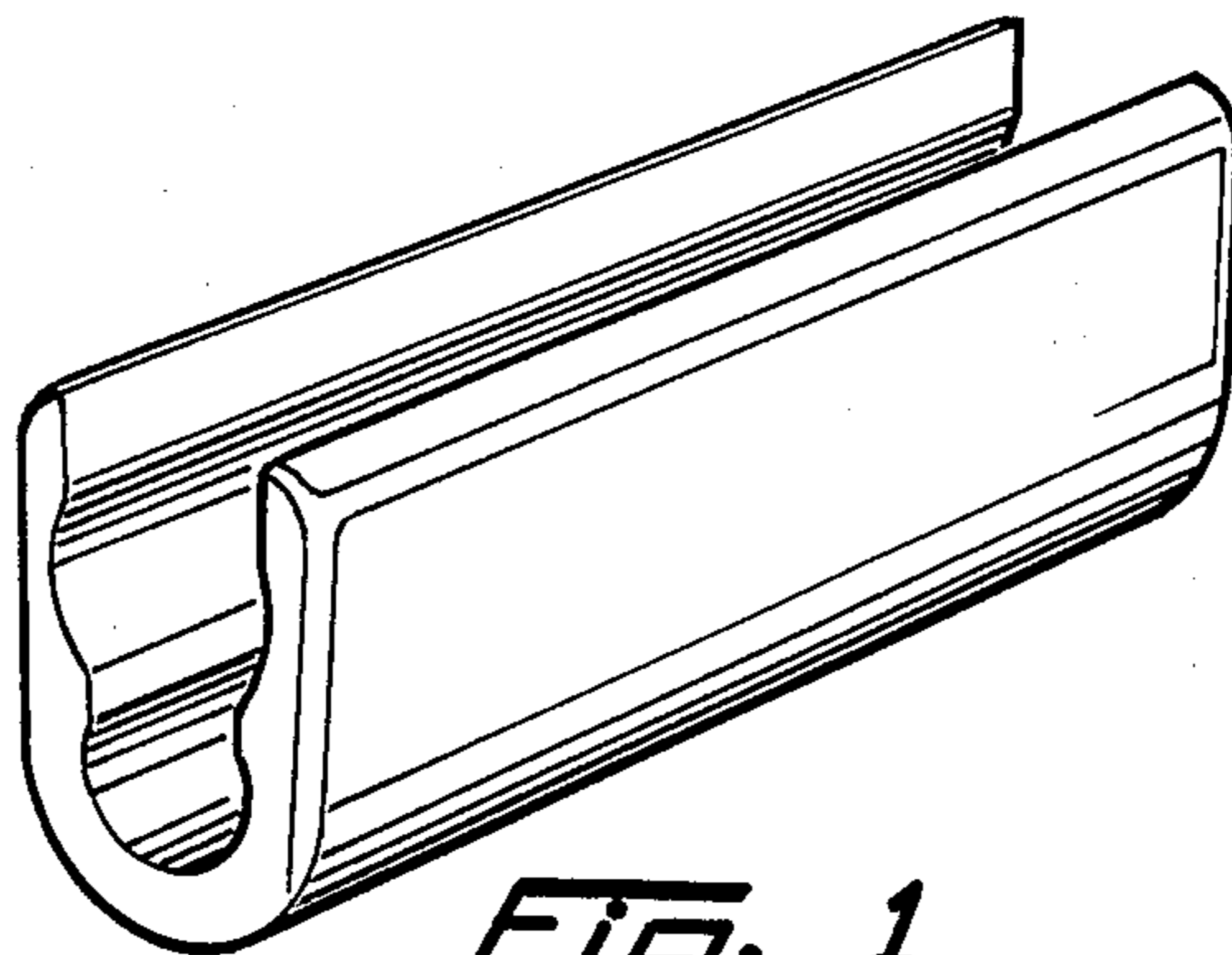


Fig. 1

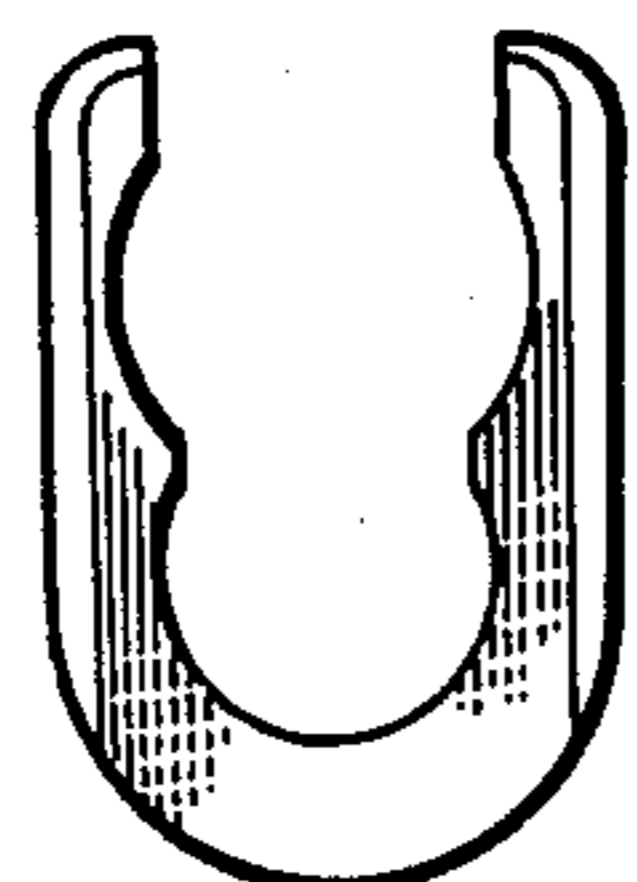


Fig. 2

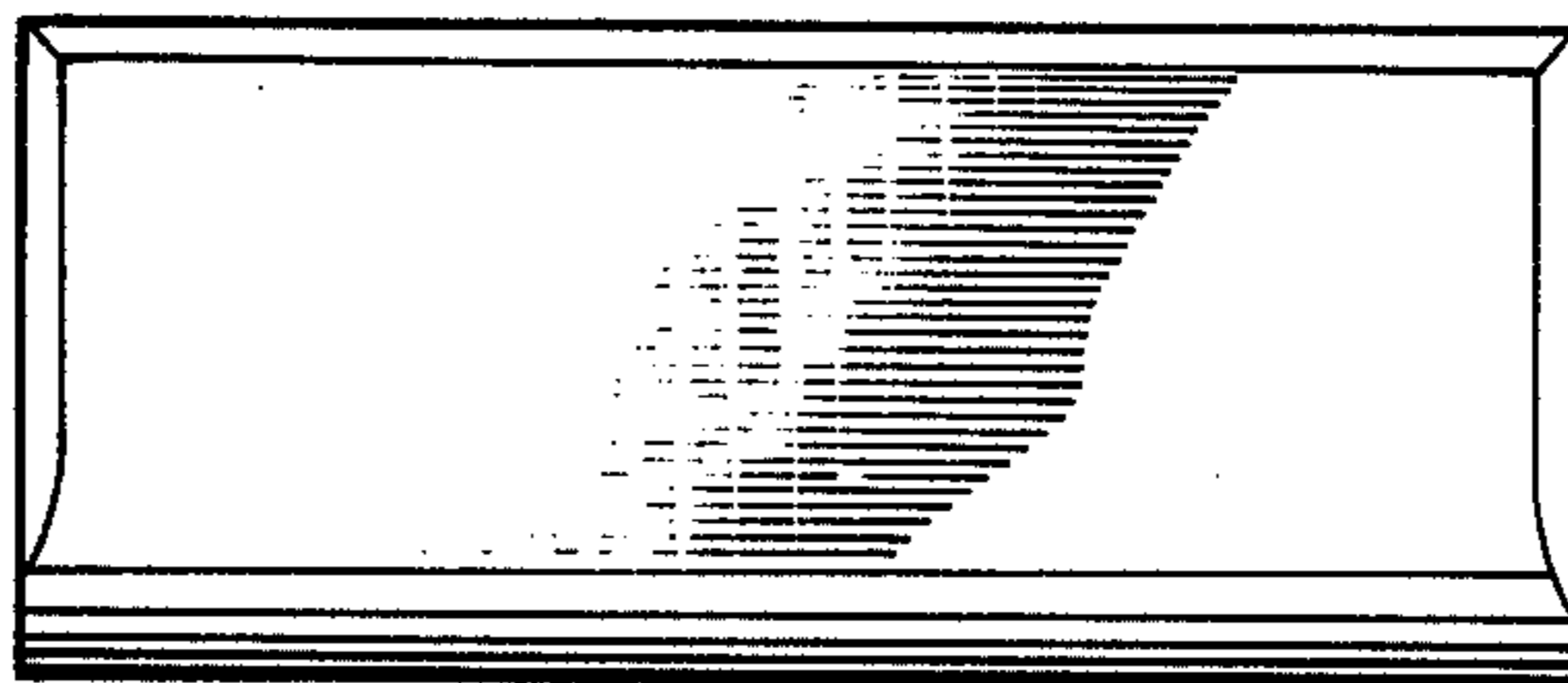


Fig. 3

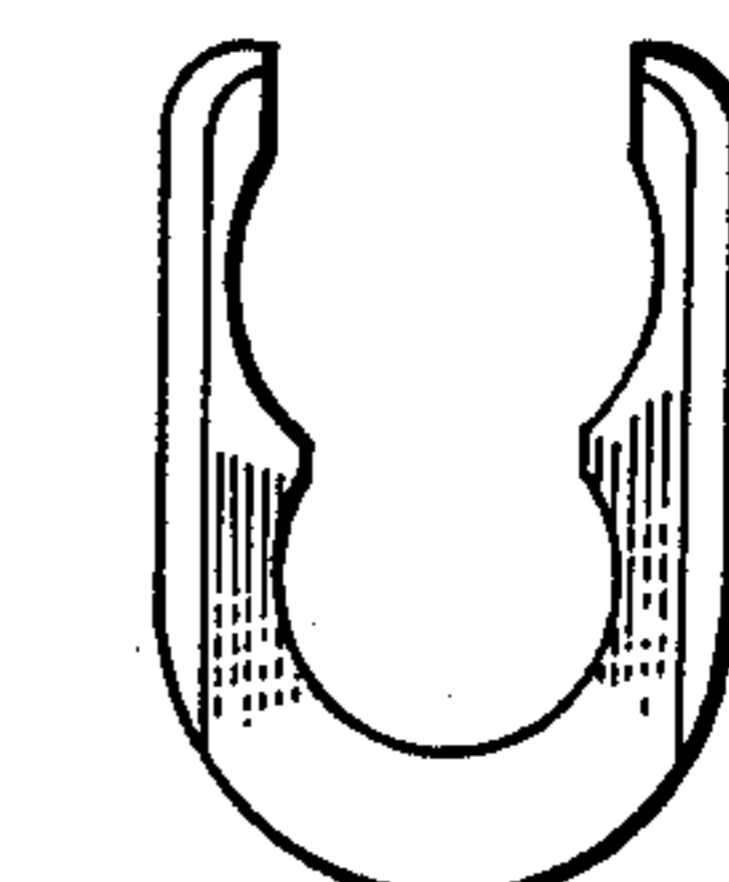


Fig. 4

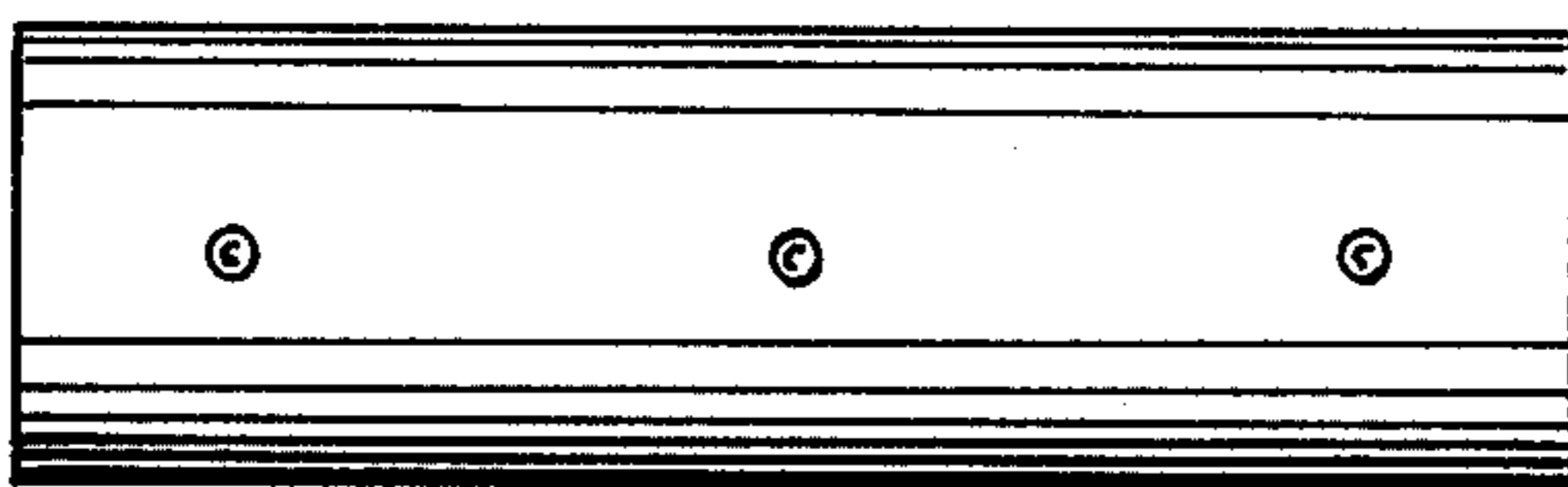


Fig. 5

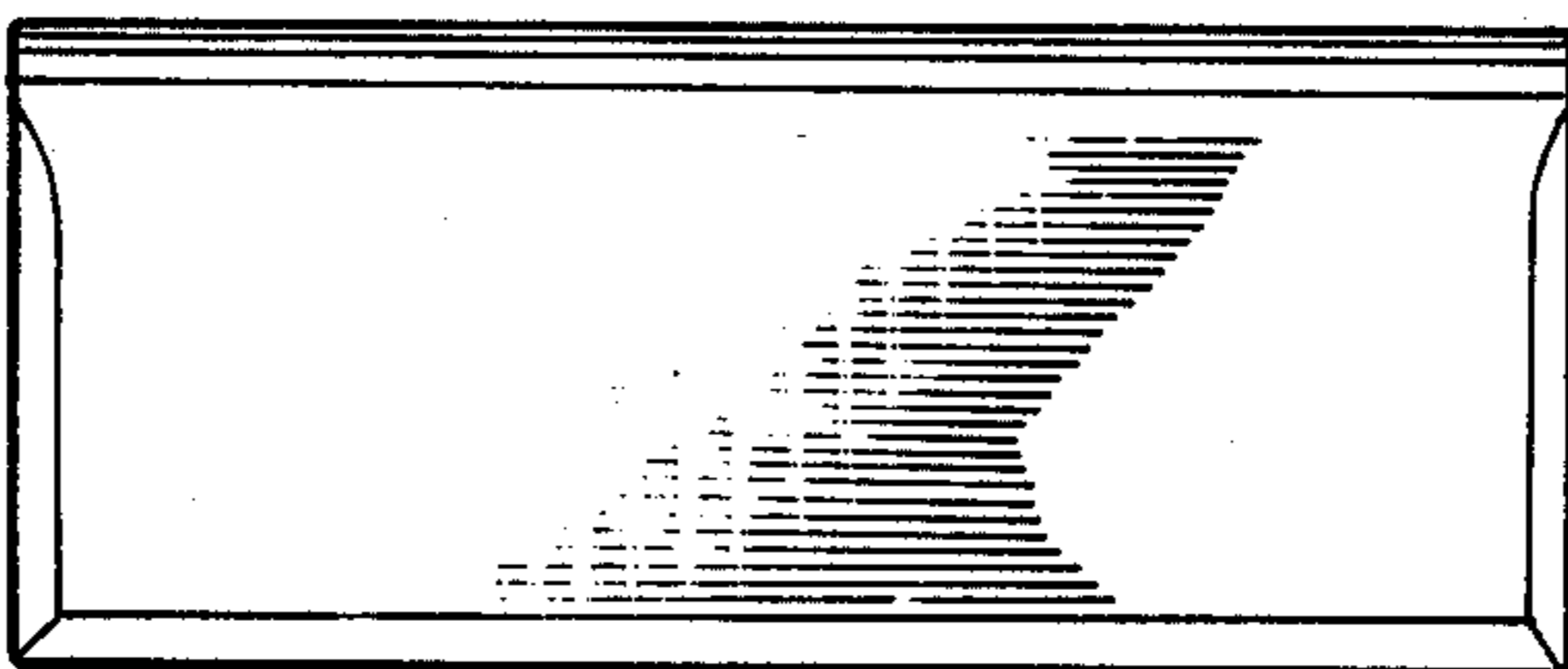


Fig. 6

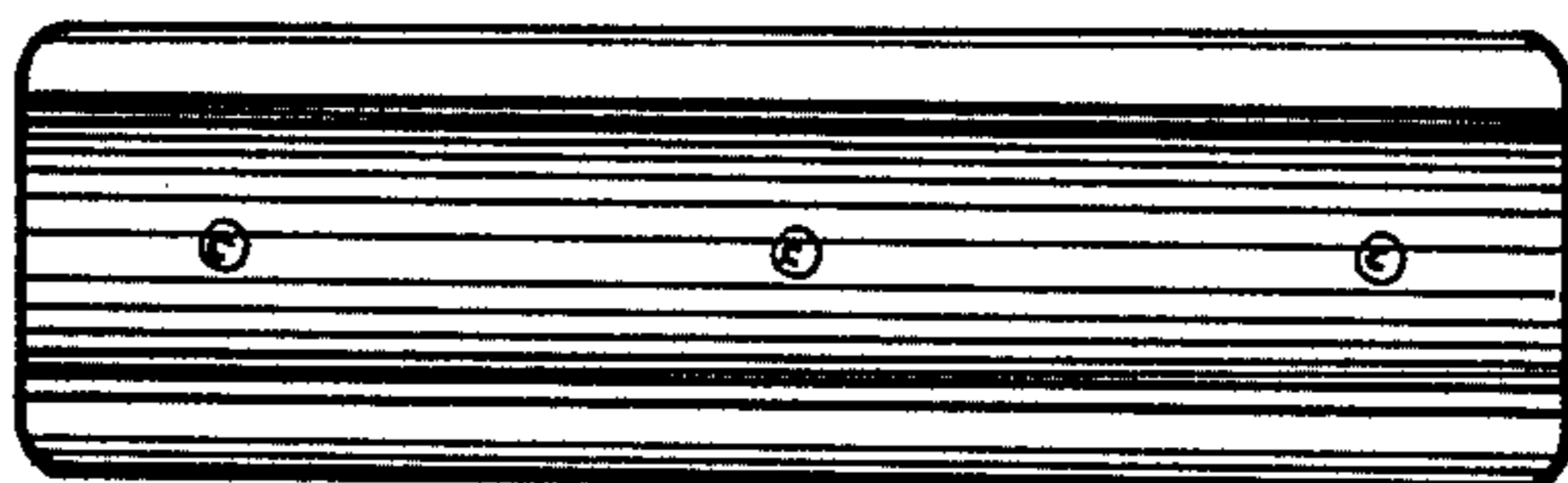


Fig. 7