

[54] KEY DUPLICATING MACHINE

[76] Inventor: Kuo-Shen Wu, No. 10, Alley 14, Lane 74, Pa Te Road Section 3, Taipei, Taiwan

[\*\*] Term: 14 Years

[21] Appl. No.: 776,408

[22] Filed: Sep. 16, 1985

[52] U.S. Cl. .... D15/125

[58] Field of Search ..... D15/127, 124, 125; 76/110; 409/81, 83

[56] References Cited

U.S. PATENT DOCUMENTS

D. 198,866 8/1964 Gale ..... D15/125

D. 249,694	9/1978	Sagarian	.....	D15/125
4,051,748	10/1977	Sherman	.....	409/81
4,140,043	2/1979	Hückinghaus et al.	.....	409/81
4,521,142	6/1985	Juskevic	.....	76/110

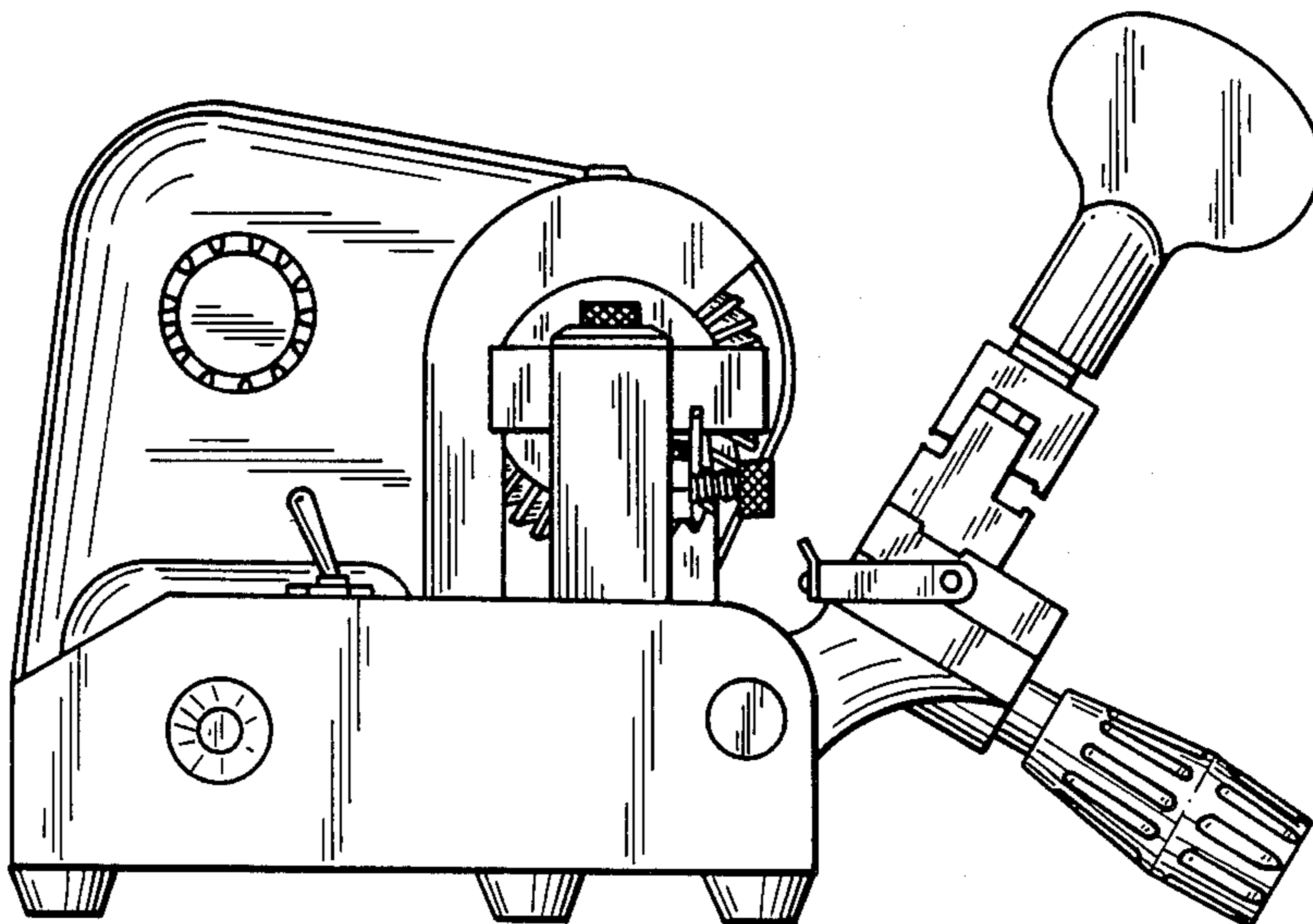
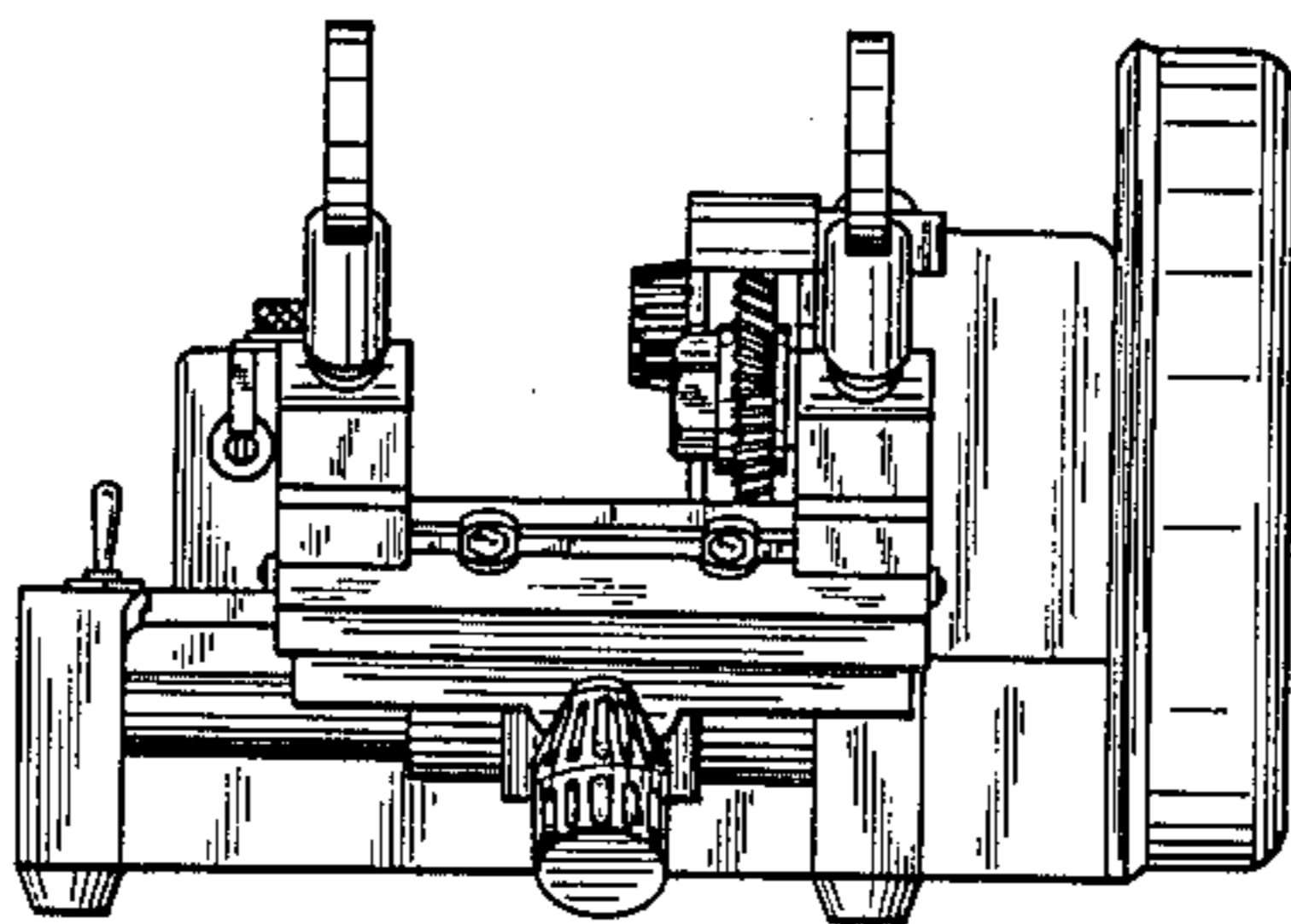
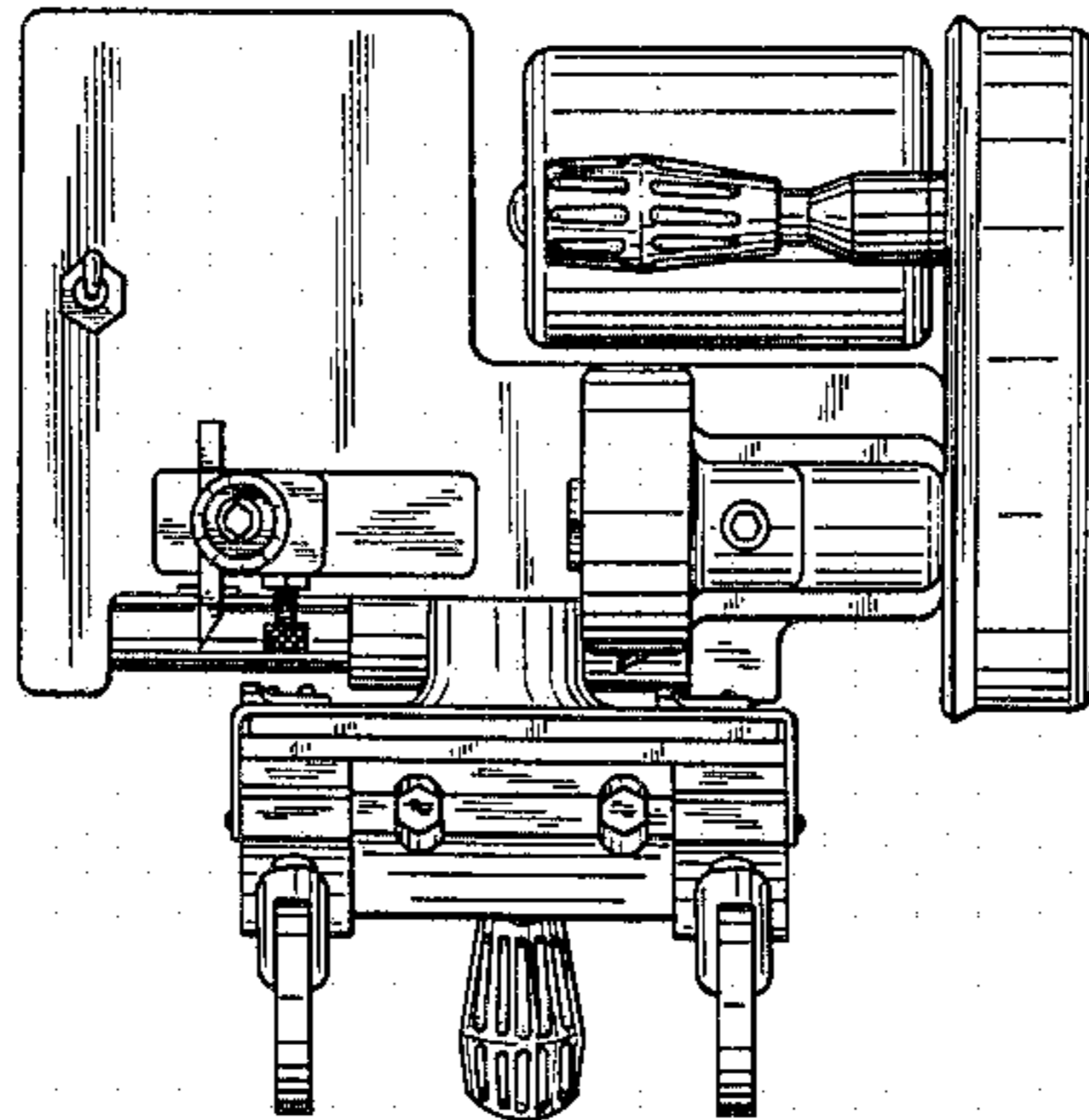
Primary Examiner—B. J. Bullock  
Attorney, Agent, or Firm—Ladas & Parry

[57] CLAIM

The ornamental design for a key duplicating machine.

DESCRIPTION

FIG. 1 is a top view of a key duplicating machine showing my new design;  
FIG. 2 is a front view thereof;  
FIG. 3 is a bottom view thereof;  
FIG. 4 is a rear view thereof;  
FIG. 5 is a left view thereof; and  
FIG. 6 is a right view thereof.



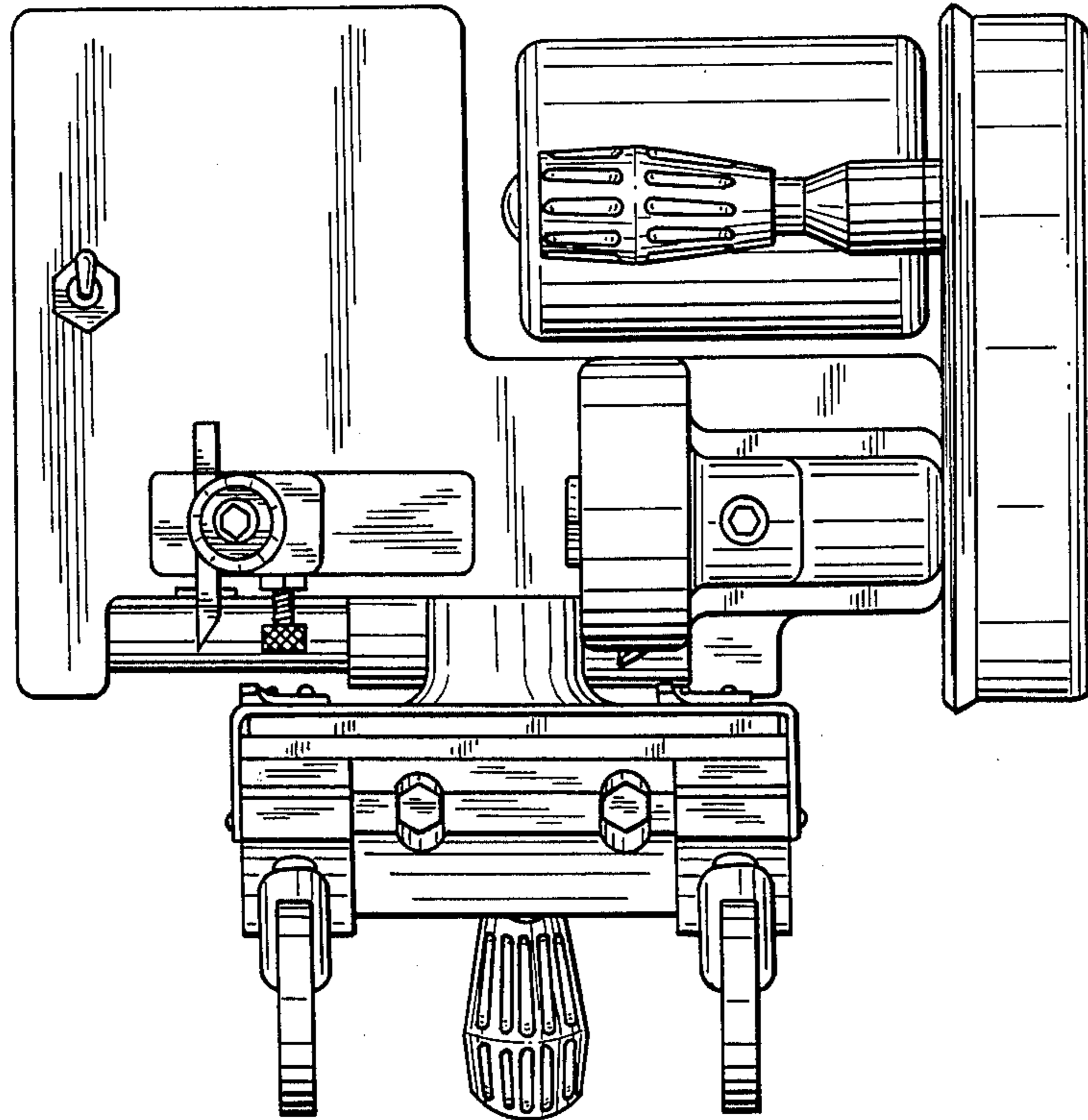


FIG. 1

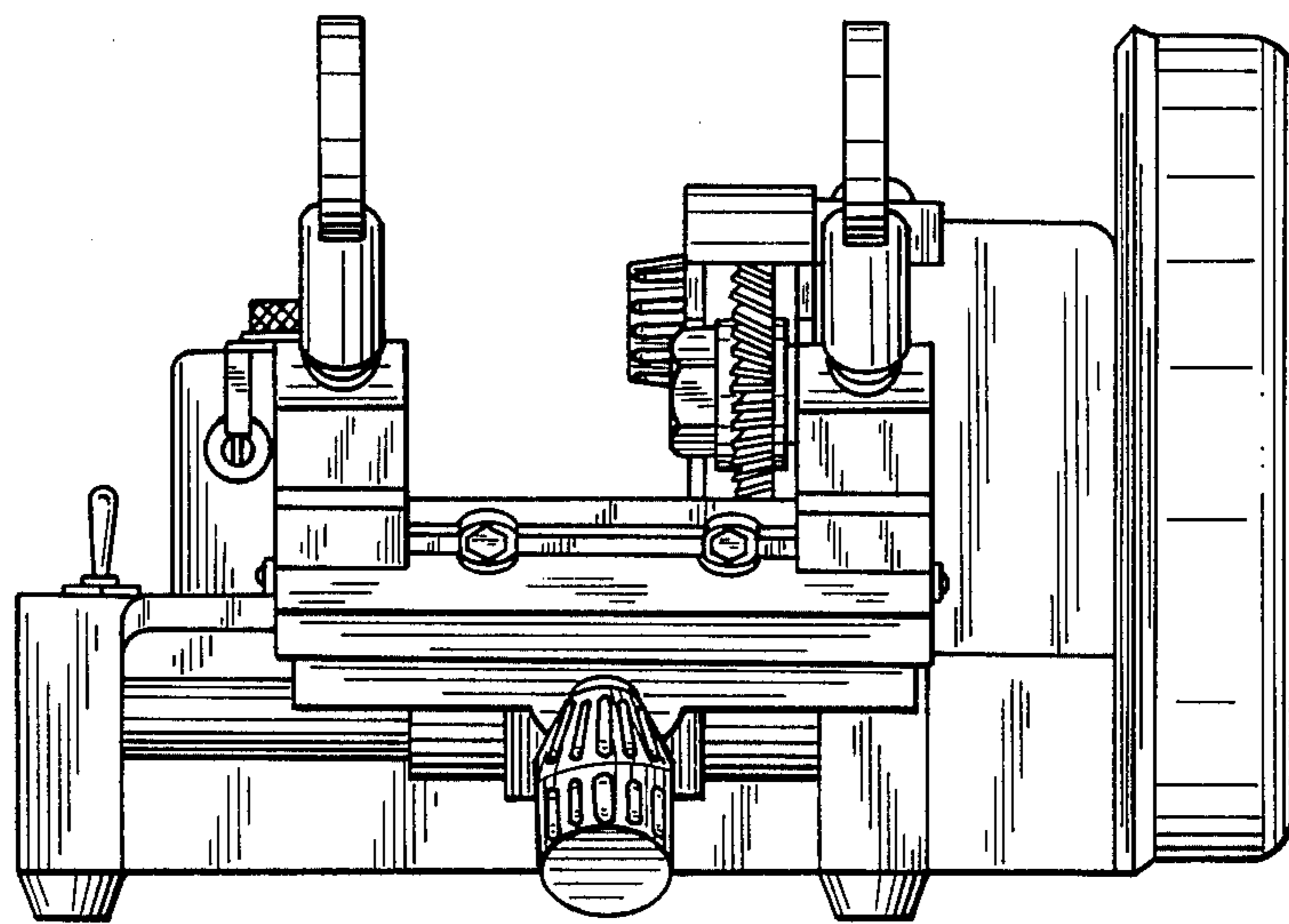


FIG. 2

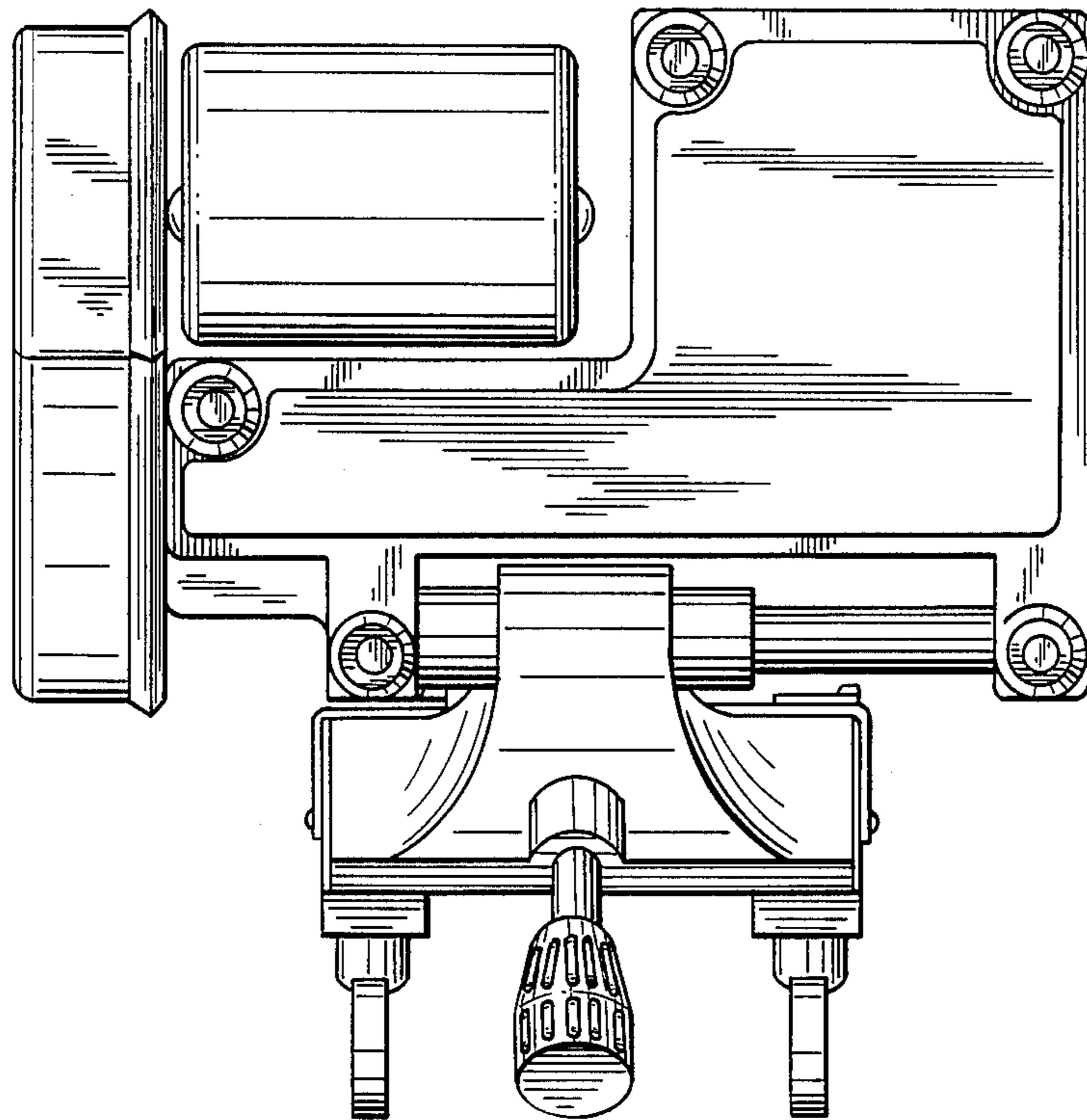


FIG. 3

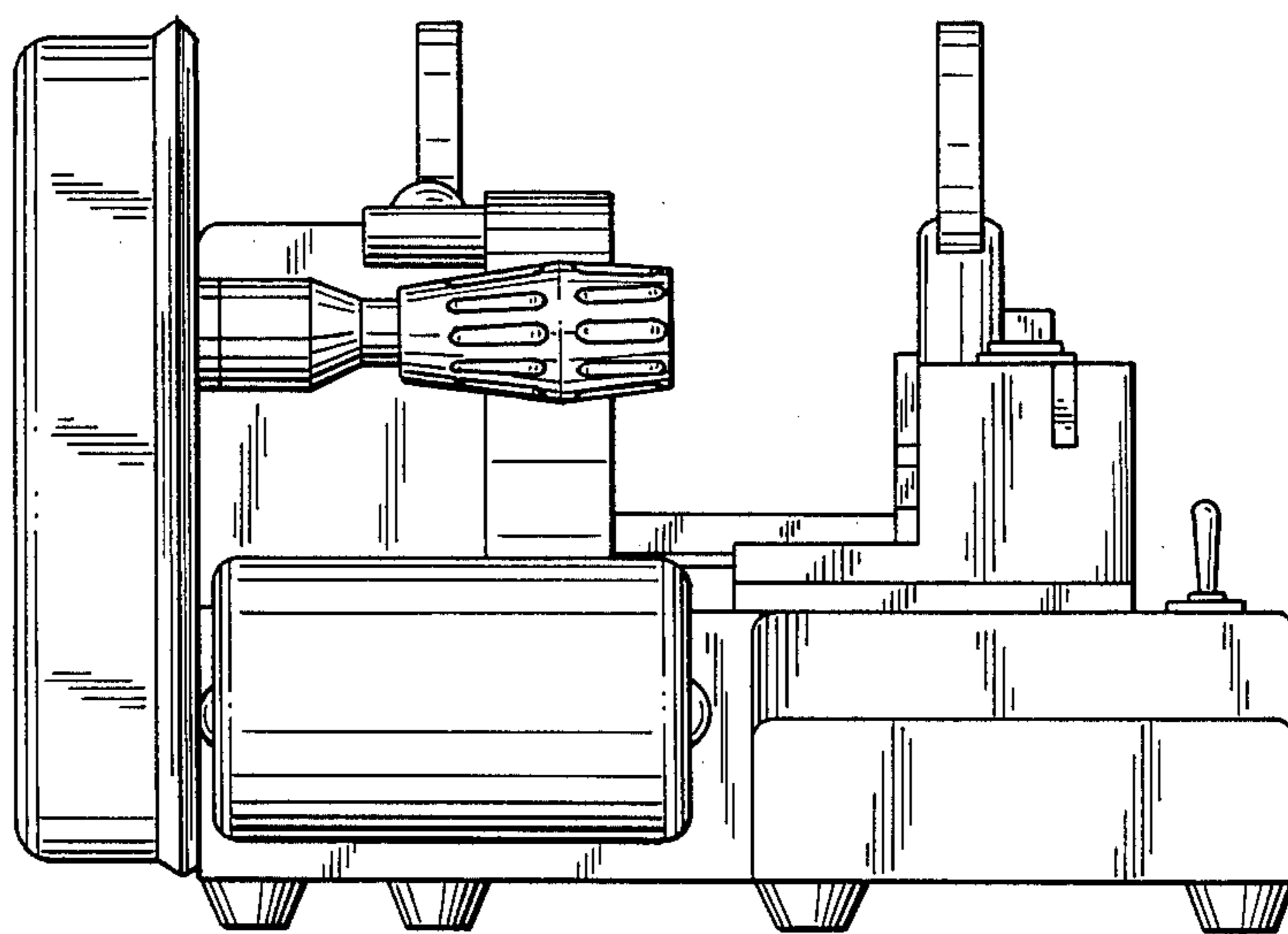


FIG. 4

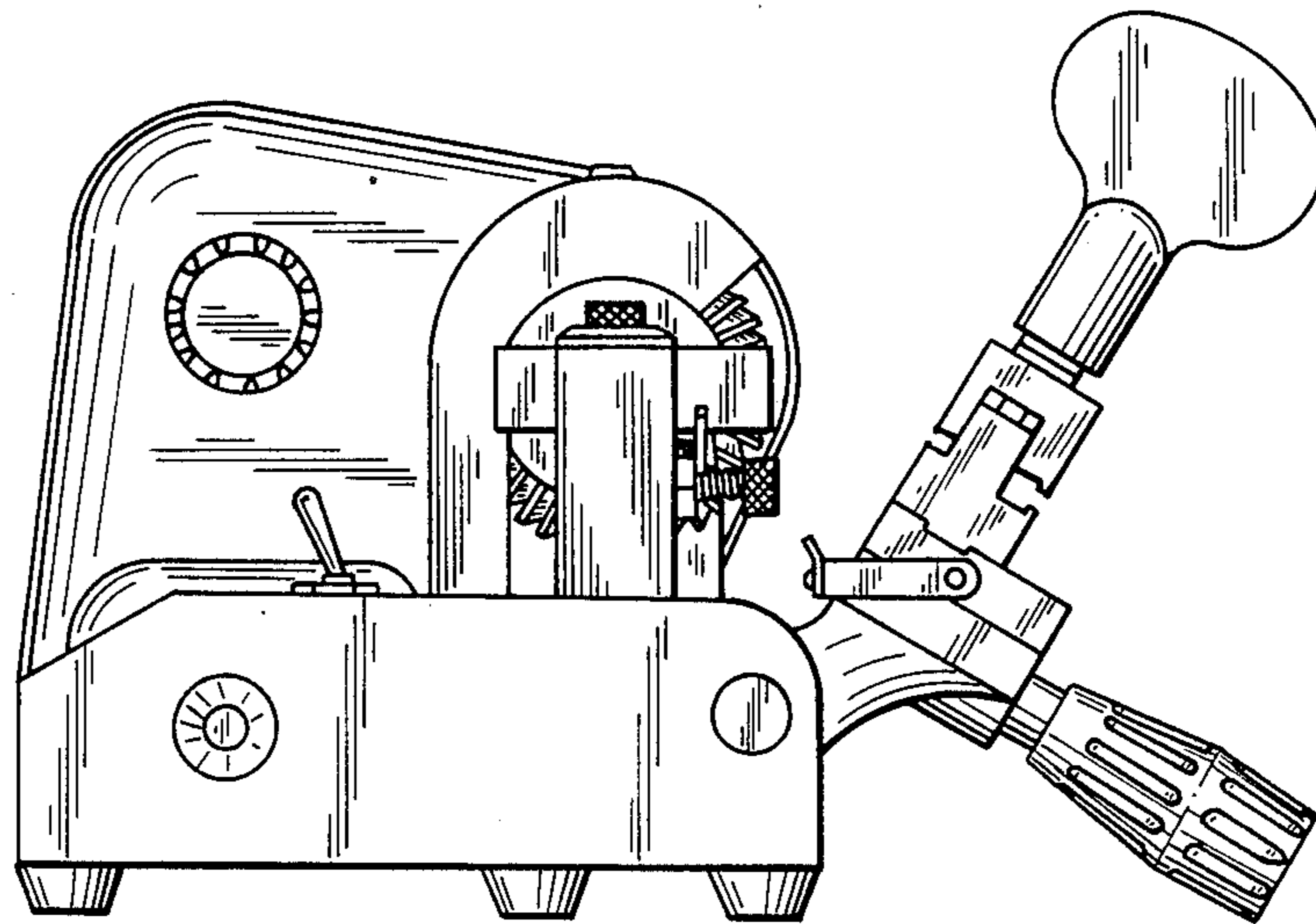


FIG. 5

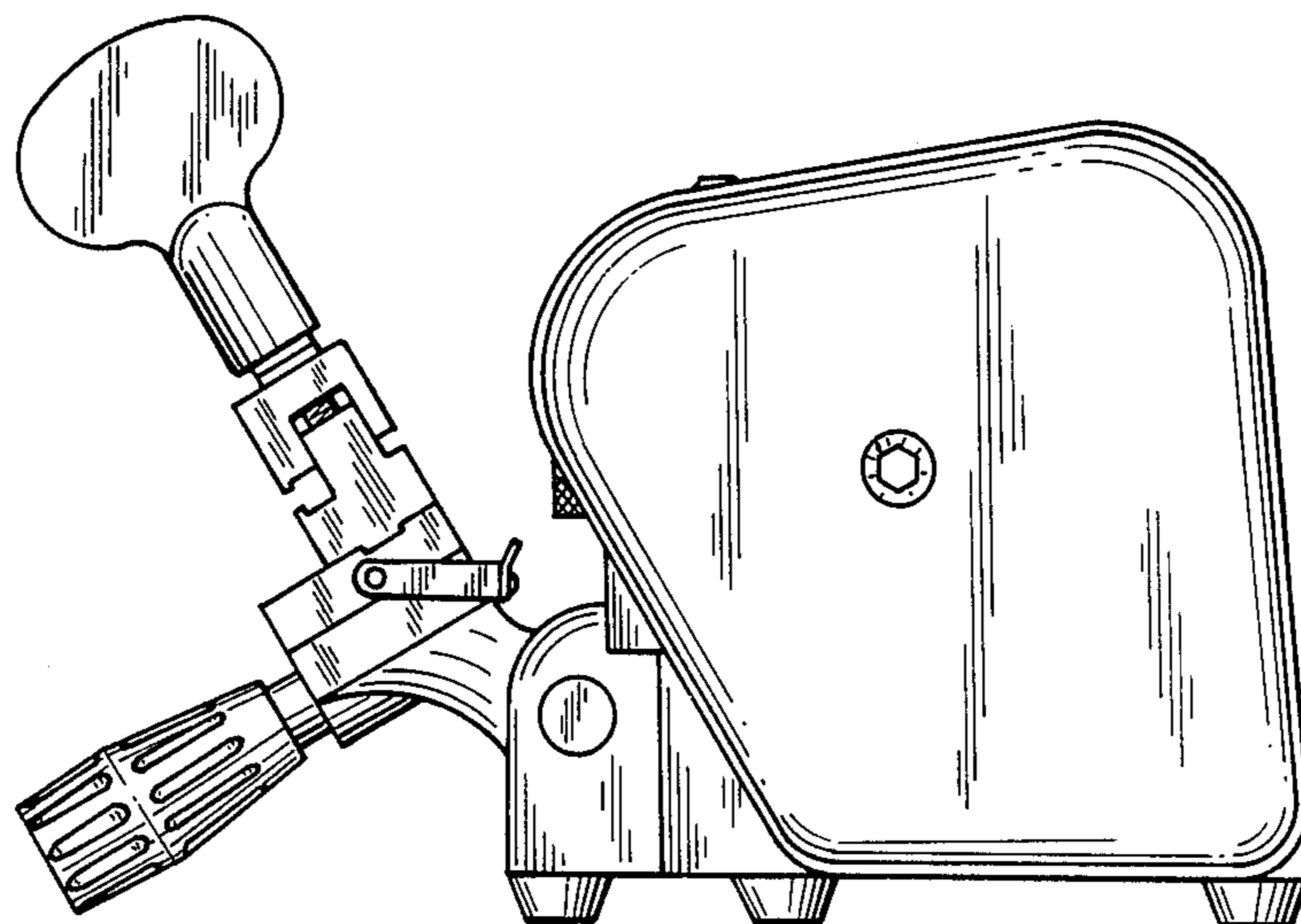


FIG. 6