

[54] BASE FOR A TELEPHONE SET

[75] Inventors: Duncan Culver, Manotick; Ezra T. Peachey, Nepean; Michael G. Sirois, Ottawa, all of Canada

[73] Assignee: Northern Telecom Limited, Montreal, Canada

[**] Term: 14 Years

[21] Appl. No.: 28,624

[22] Filed: Mar. 20, 1987

[52] U.S. Cl. D14/62; D14/60; D14/53; 379/440

[58] Field of Search D14/52, 53, 56, 58, D14/60, 61, 62; 379/440, 419, 436, 435, 428, 434

[56] References Cited

U.S. PATENT DOCUMENTS

- D. 232,365 8/1974 Churchill et al. D14/62 UX
- D. 250,890 1/1979 Stokes D14/53
- D. 254,554 3/1980 Genaro et al. D14/53 X
- D. 287,125 12/1986 Saunik D14/55

- D. 294,694 3/1988 Steward D14/53
- D. 295,171 4/1988 Wright D14/62 X

OTHER PUBLICATIONS

R. A. Pargh Co. Inc. catalog, 1985, Buscom Telset & Dialer Set, model 3000 & 3030 at p. 266.

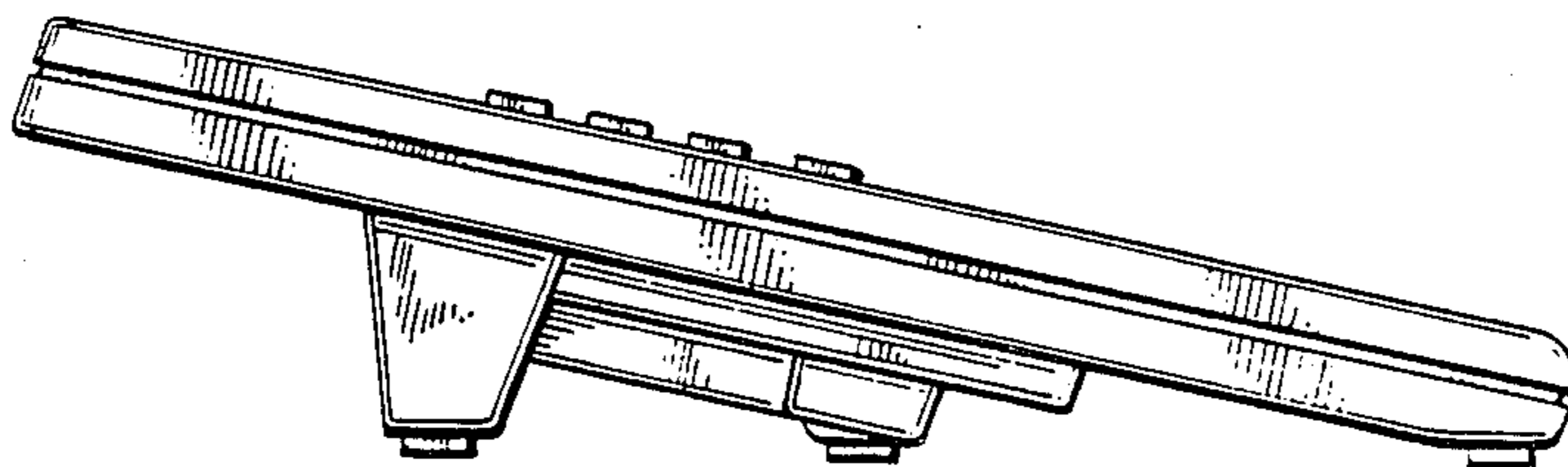
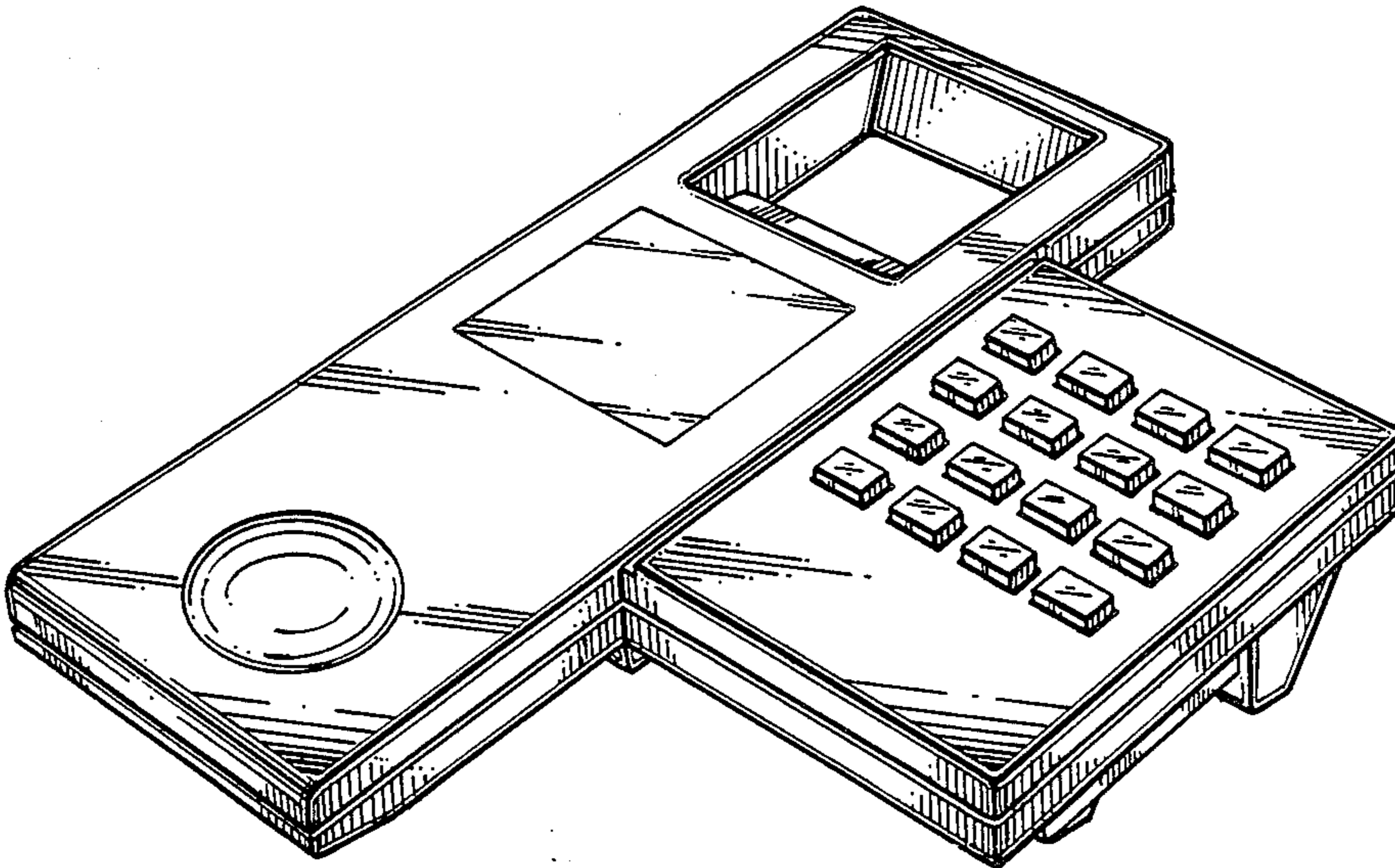
Primary Examiner—Horace B. Fay
Attorney, Agent, or Firm—Sidney T. Jelly

[57] CLAIM

The ornamental design for a base for a telephone set, as shown and described.

DESCRIPTION

FIG. 1 is a perspective view of a base for a telephone set from the front and one side showing our new design; FIG. 2 is a front elevational view thereof; FIG. 3 is a top plan view thereof; FIG. 4 is a rear elevational view thereof; FIG. 5 is a bottom plan view thereof; FIG. 6 is a side elevational view on the left side thereof; and FIG. 7 is a side elevational view on the right side thereof.



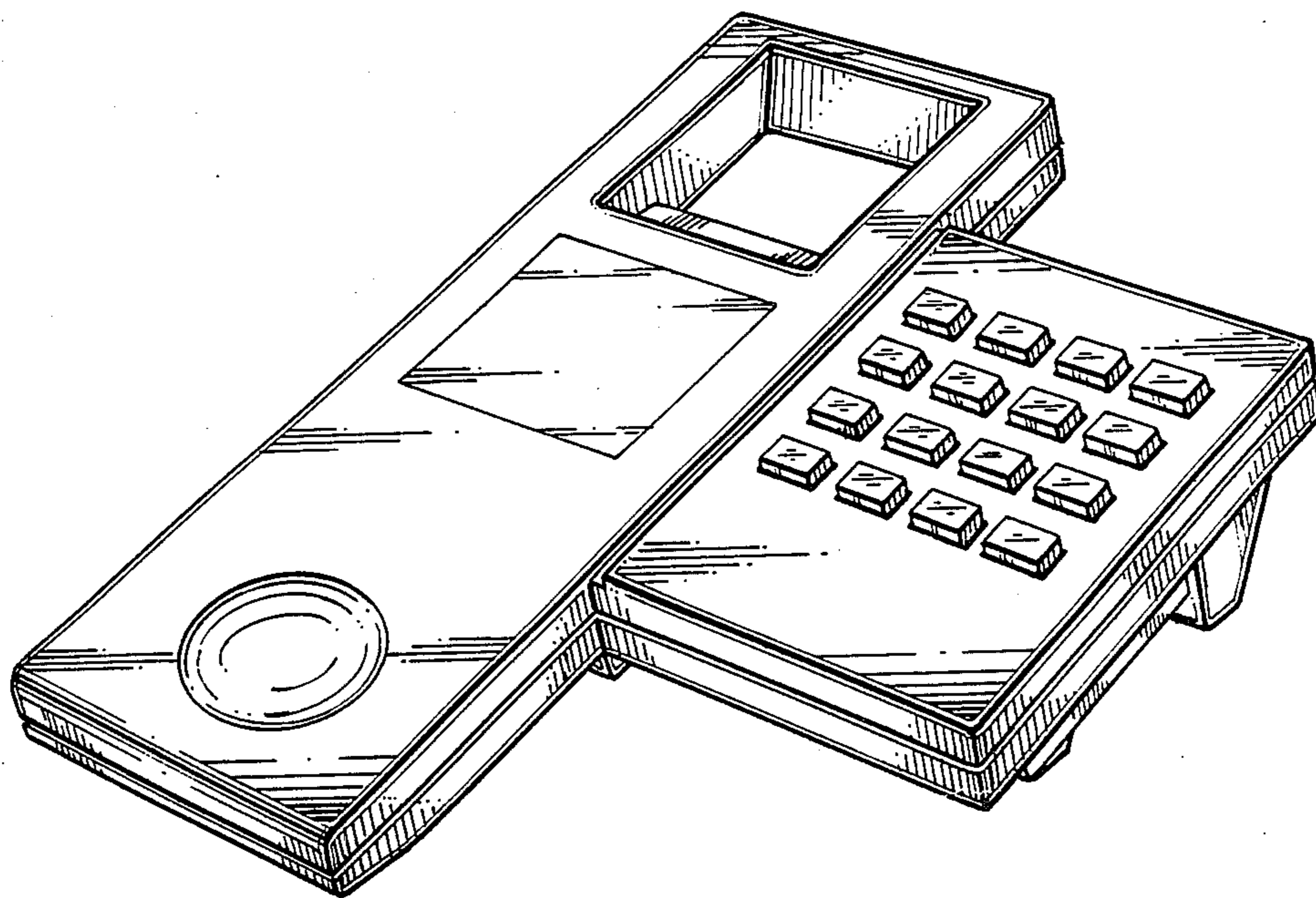


FIG. 1

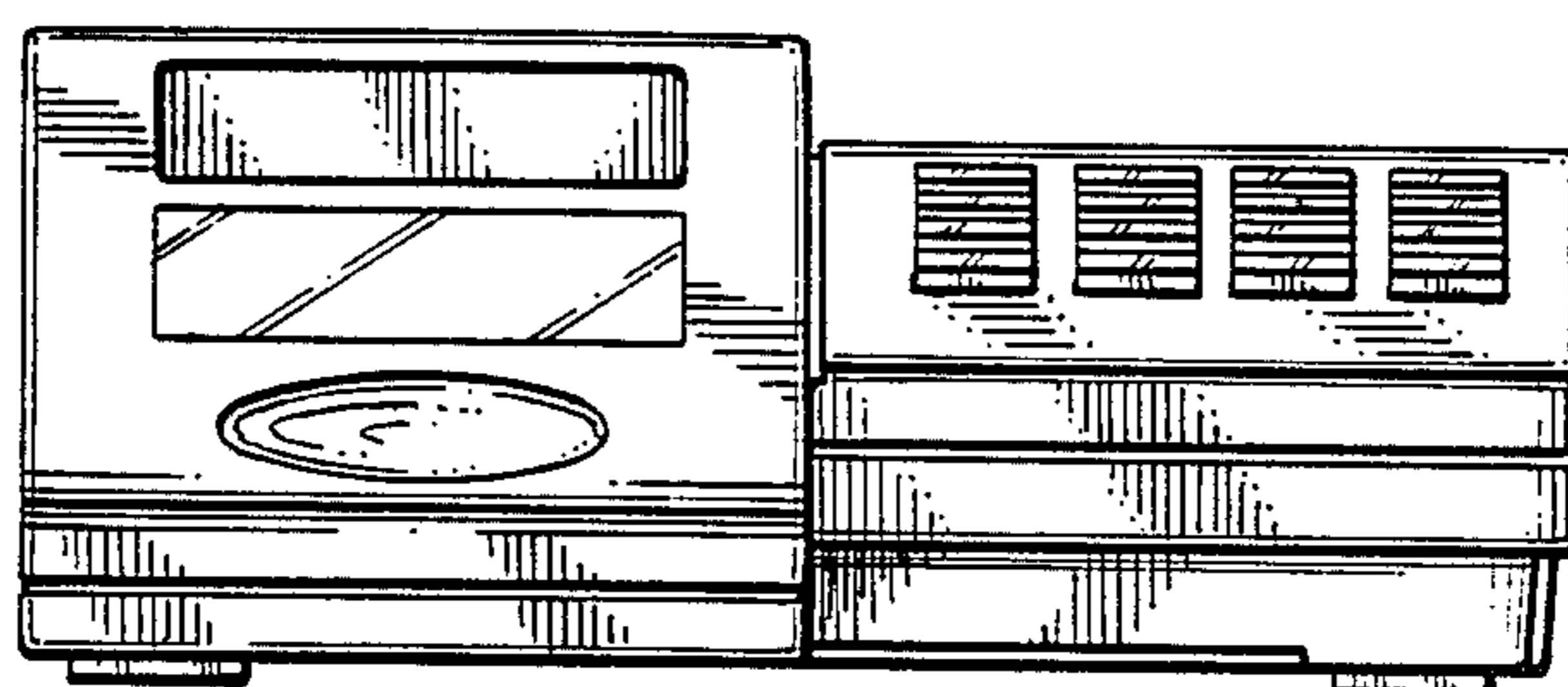


FIG. 2

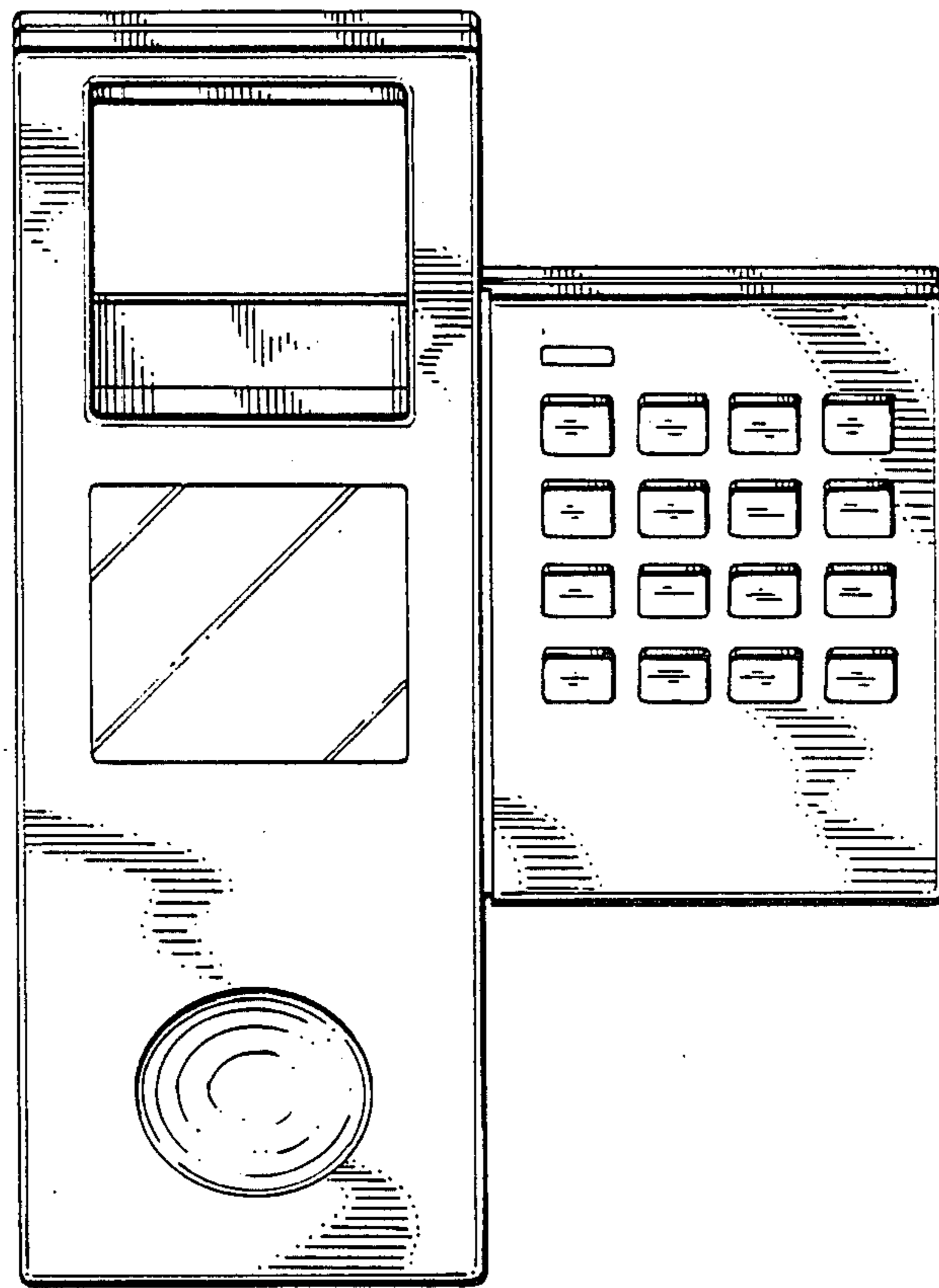


FIG. 3

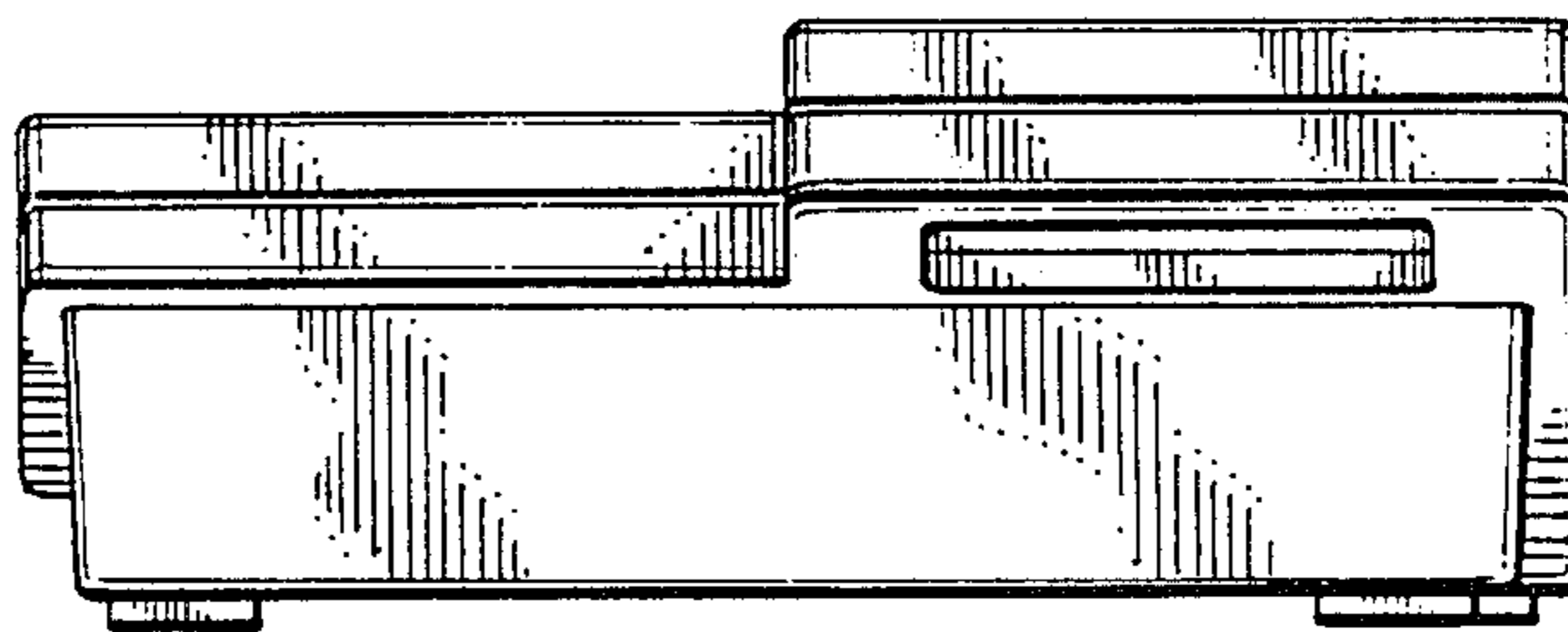


FIG. 4

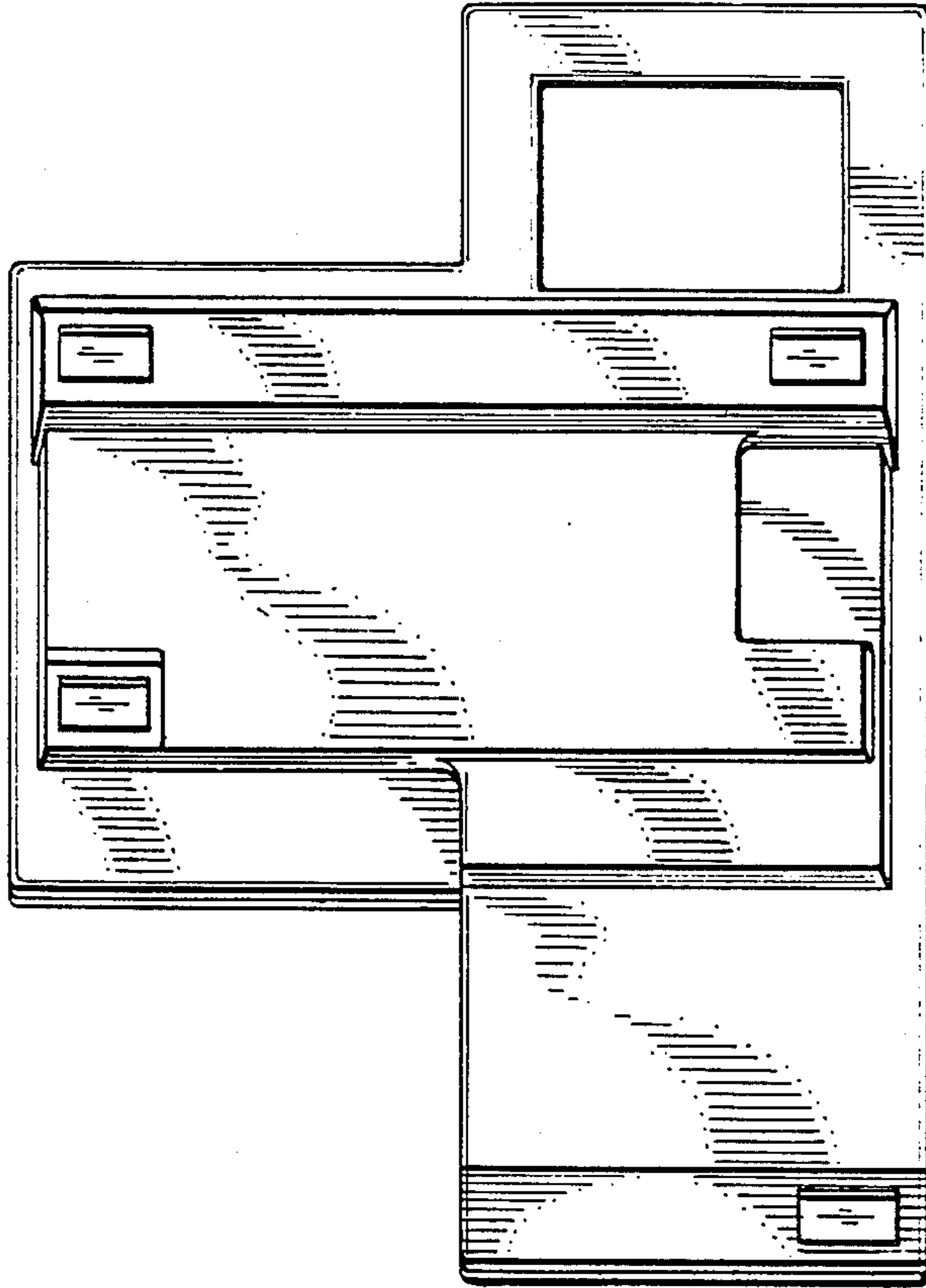


FIG. 5

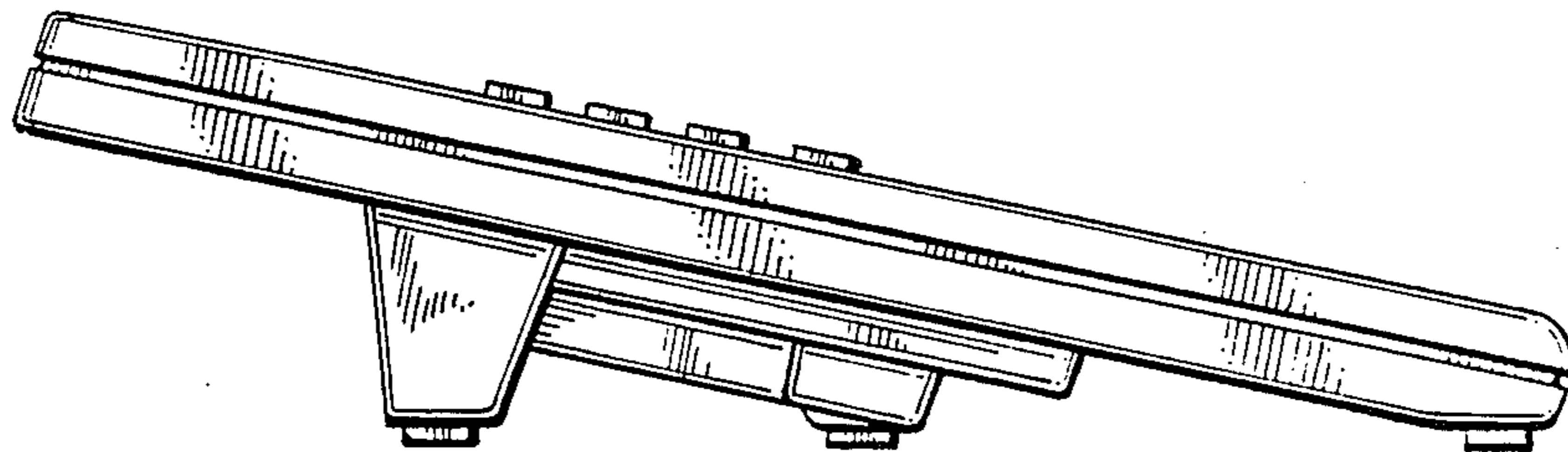


FIG. 6

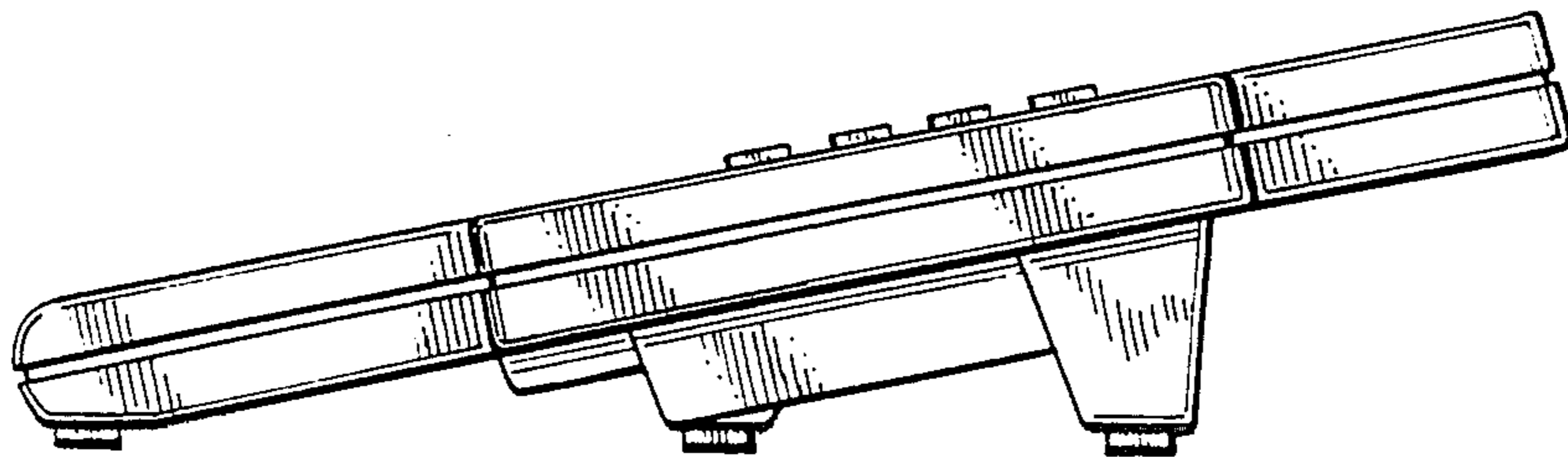


FIG. 7