

[54] ALARM DISPLAY

[75] Inventors: John K. Guscott, Lynnfield; Bryan Hotaling, Arlington; H. Patrick Thornton, Acton; George Vulgaris, Sharon, all of Mass.

[73] Assignee: ADT, Inc., Parsippany, N.J.

[**] Term: 14 Years

[21] Appl. No.: 761,605

[22] Filed: Aug. 1, 1985

[52] U.S. Cl. D10/106; D13/35

[58] Field of Search D13/35; D10/106, 104, D10/121; 361/334, 331, 346, 356-358, 380, 390, 399; 340/365 R, 500, 506-513, 540

[56] References Cited

U.S. PATENT DOCUMENTS

- D. 234,140 1/1975 Gregg D10/106
- D. 236,719 9/1975 Sparks et al. D10/106
- D. 246,034 10/1977 Sparks et al. D10/106

- D. 272,050 1/1984 Gibbs et al. D10/106
- D. 272,433 1/1984 Trabucchi et al. D13/35
- D. 272,434 1/1984 Thornton et al. D13/35
- D. 272,435 1/1984 Thornton et al. D13/35
- D. 272,436 1/1984 Trabucchi et al. D13/35
- D. 272,530 2/1984 Thornton et al. D13/35

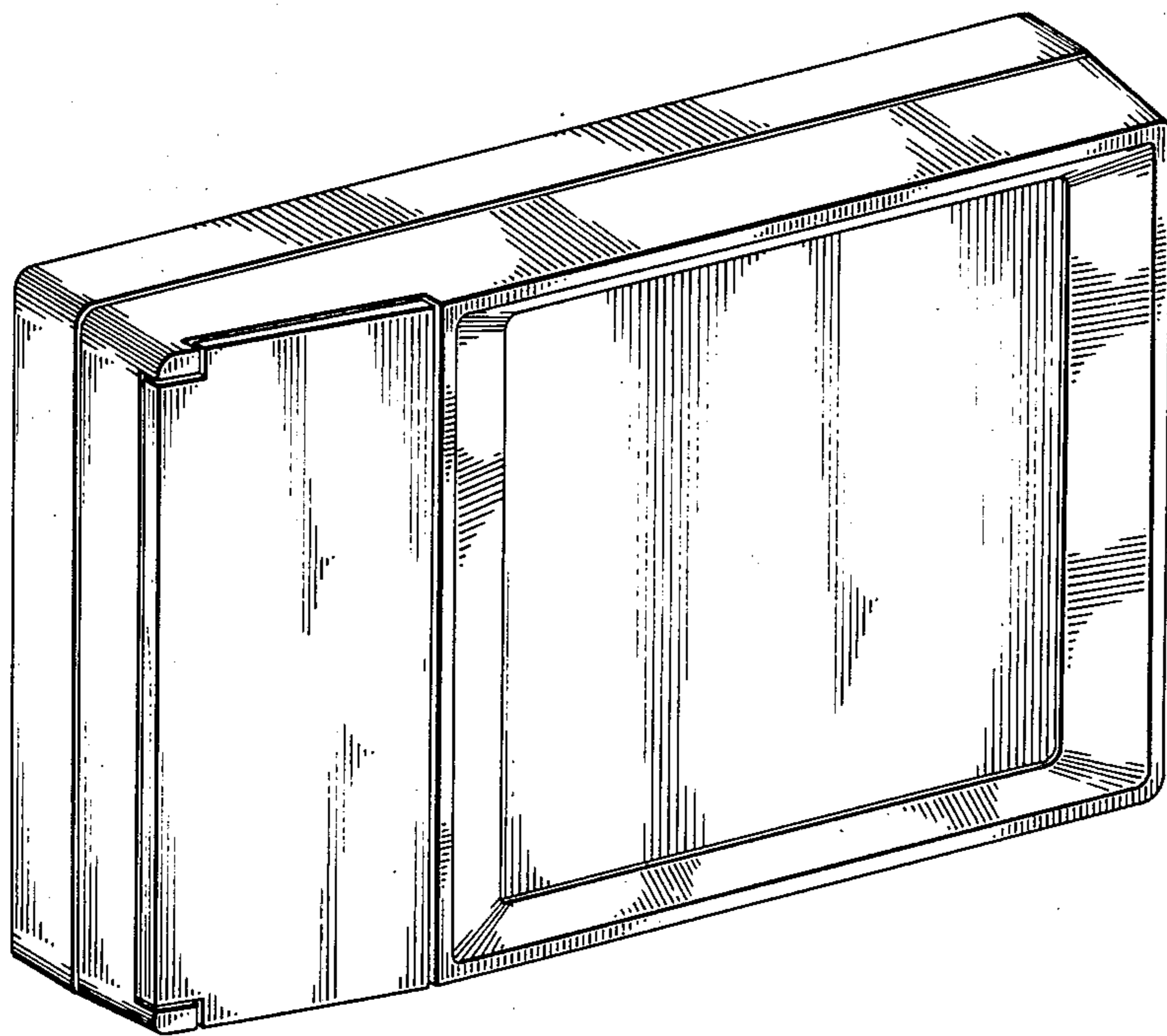
Primary Examiner—Catherine E. Kemper
Attorney, Agent, or Firm—Weingarten, Schurgin, Gagnebin & Hayes

[57] CLAIM

The ornamental design for an alarm display, as shown.

DESCRIPTION

FIG. 1 is a perspective view of an alarm display, showing our new design;
 FIG. 2 is a front elevational view thereof;
 FIG. 3 is a right side elevational view thereof;
 FIG. 4 is a rear elevational view thereof;
 FIG. 5 is a left side elevational view thereof;
 FIG. 6 is a top plan view thereof;
 FIG. 7 is a bottom plan view thereof.



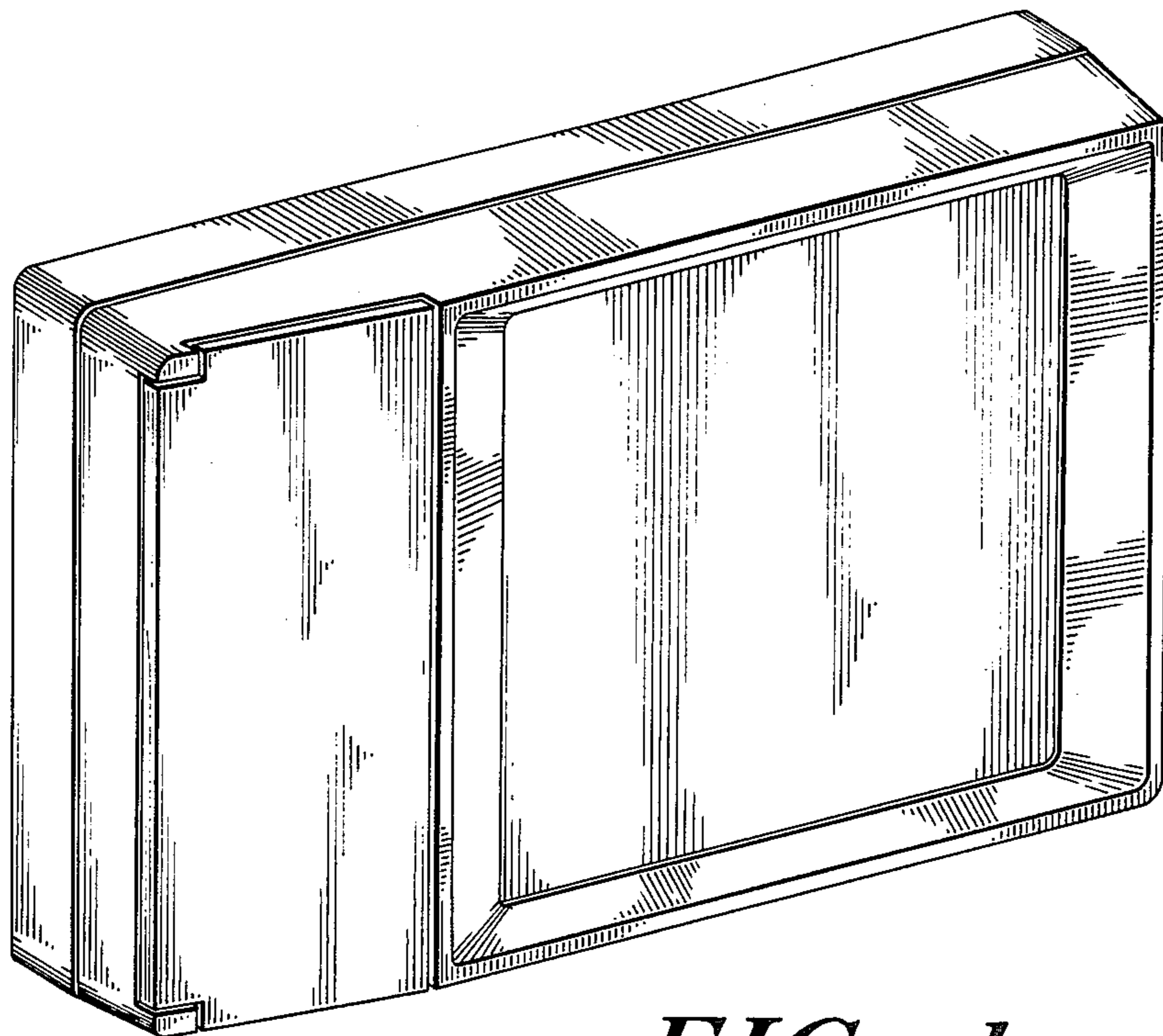


FIG. 1

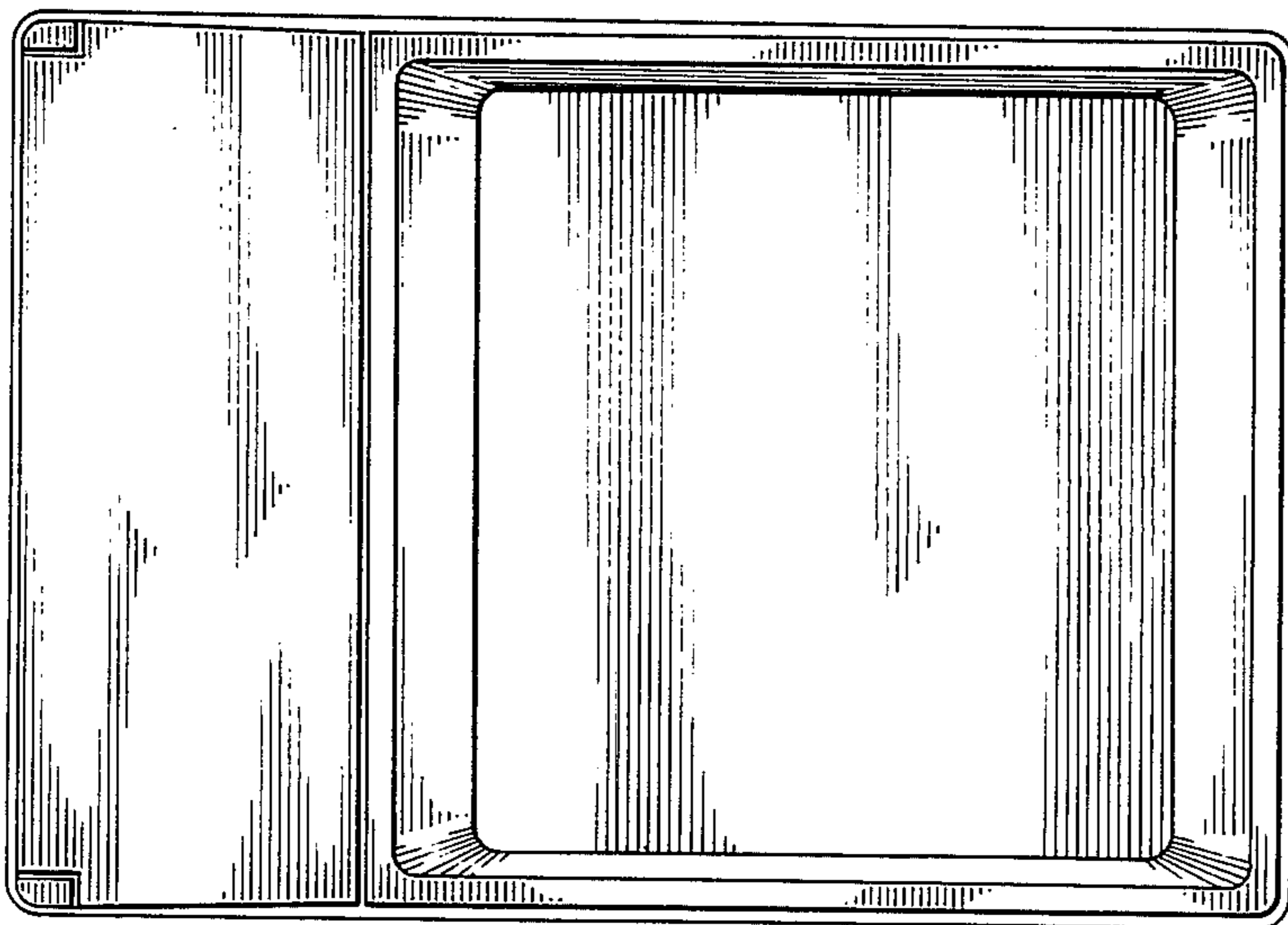


FIG. 2

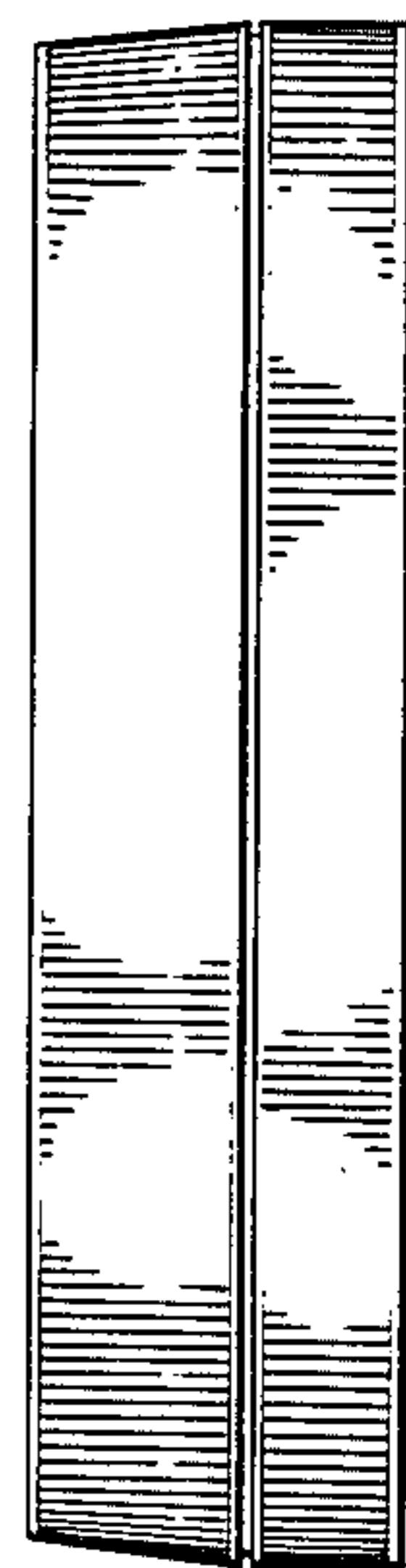


FIG. 3

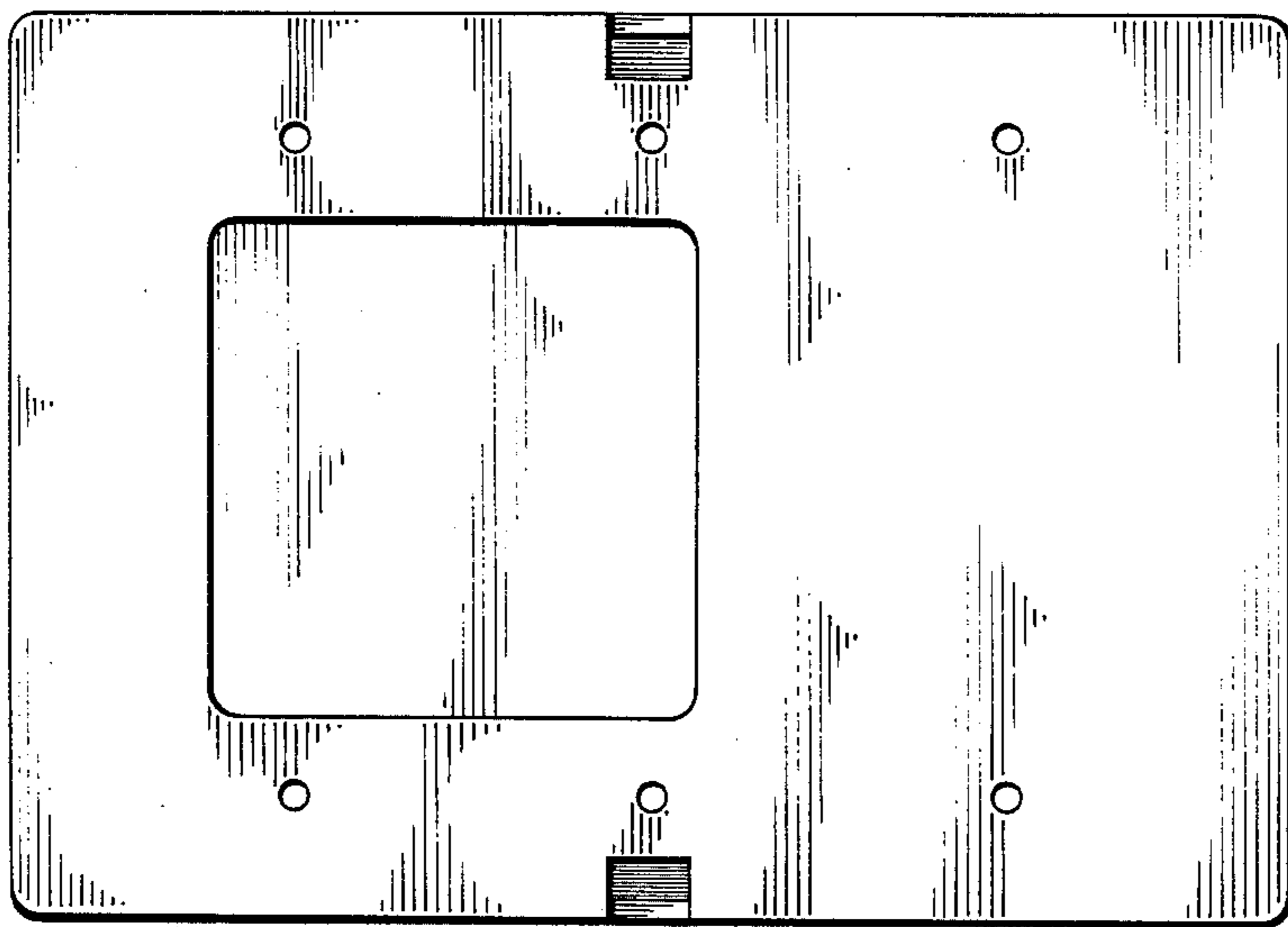


FIG. 4



FIG. 5

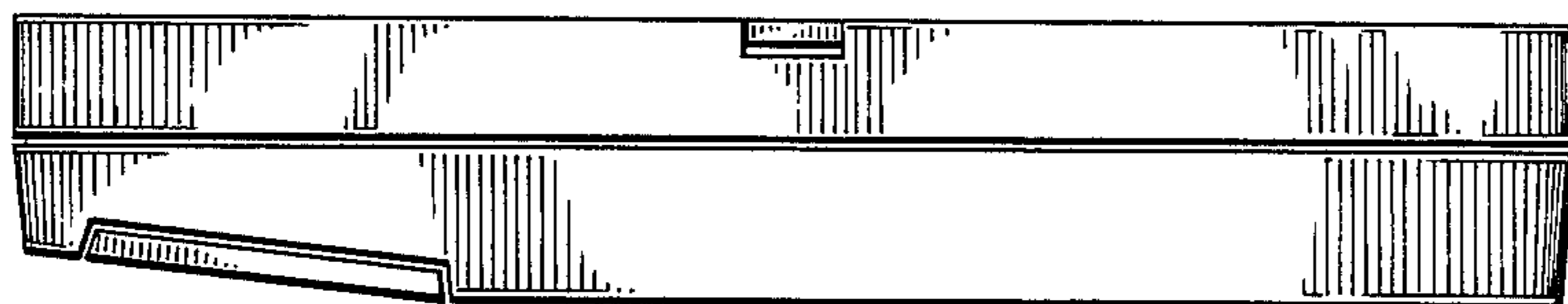


FIG. 6

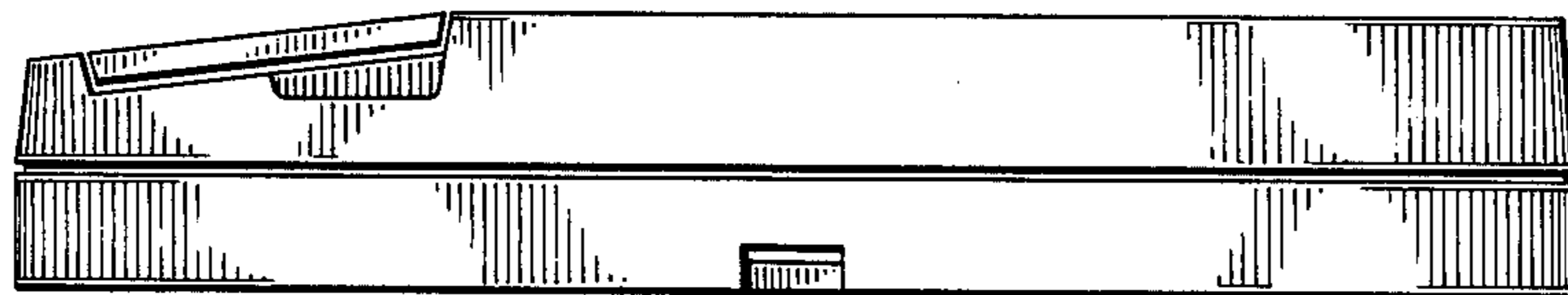


FIG. 7