

United States Patent [19]

Keohan et al.

[11] Patent Number: **Des. 297,127**

[45] Date of Patent: **** Aug. 9, 1988**

[54] **COMPASS**

[75] Inventors: **Richard J. Keohan, Braintree; W. Gordon White, Dover, both of Mass.**

[73] Assignee: **Rule Industries, Inc., Gloucester, Mass.**

[**] Term: **14 Years**

[21] Appl. No.: **774,415**

[22] Filed: **Sep. 10, 1985**

[52] U.S. Cl. **D10/68**

[58] Field of Search **D10/68, 74; 33/355, 33/364**

[56] **References Cited**

U.S. PATENT DOCUMENTS

D. 227,403	6/1973	Yusa	D10/68
D. 228,573	10/1973	Yusa	D10/68
D. 230,883	3/1974	Brigham	D10/68 X
D. 236,092	7/1975	Macowski	D10/68
1,922,864	8/1933	Rhea	33/358
1,925,863	9/1933	Crocker	33/358
1,982,405	11/1934	Titterington	33/357
1,987,624	1/1935	Jones	33/358
2,155,712	4/1939	Hull	33/358

3,334,420	8/1967	Stockton	33/356
3,481,045	12/1969	White	33/358
3,732,560	5/1973	Harden	340/373
3,832,787	9/1974	Fowler	33/358
3,949,483	4/1976	White	33/364
4,217,625	8/1980	Klein	362/30
4,359,823	11/1982	White	33/364

FOREIGN PATENT DOCUMENTS

610657	9/1976	France	33/358
--------	--------	--------------	--------

OTHER PUBLICATIONS

Goldberg's Marine catalog-1969, pp. 8-9, compasses.

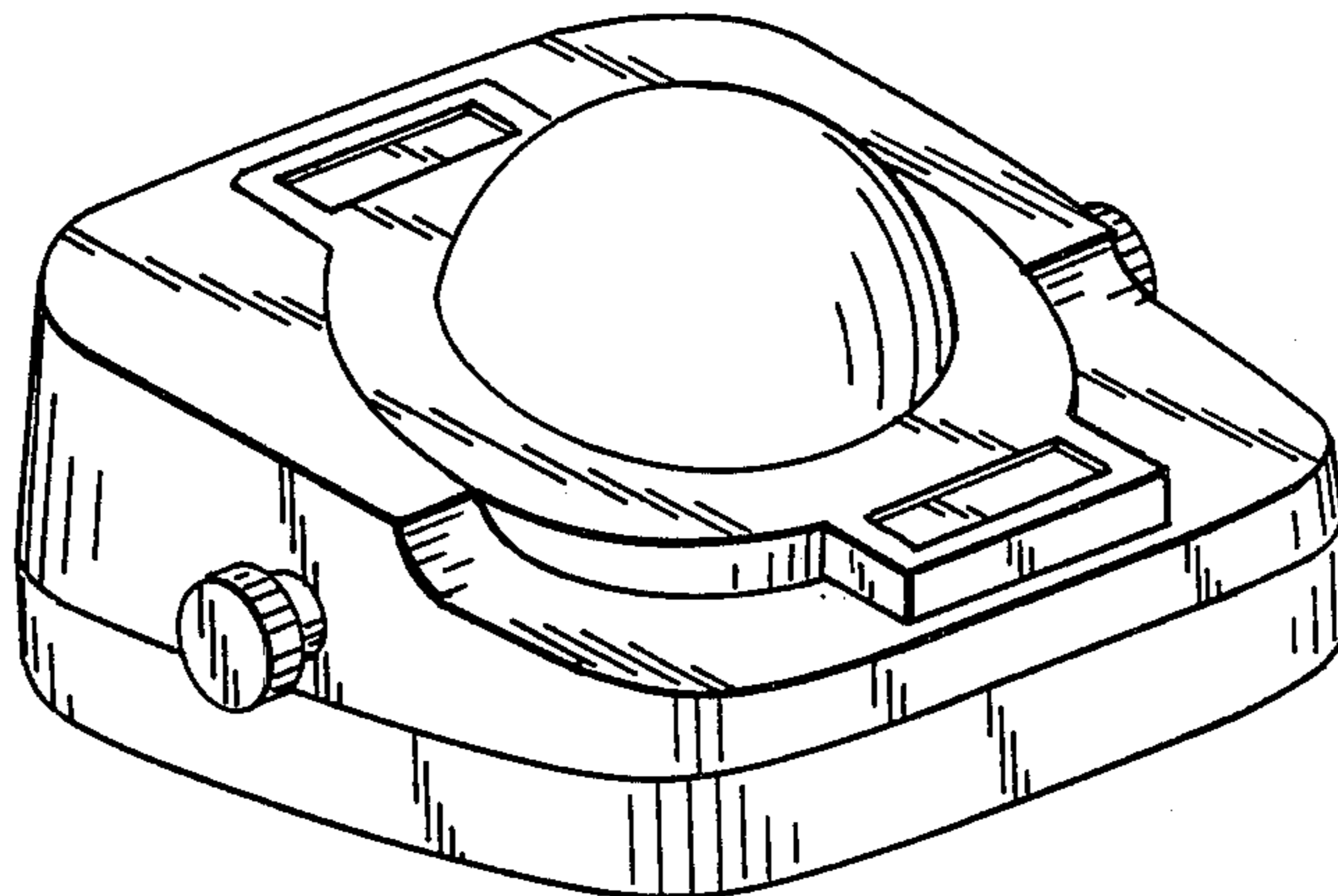
Primary Examiner—Nelson C. Holtje

[57] CLAIM

The ornamental design for a compass, as shown and described.

DESCRIPTION

FIG. 1 is a top and left front perspective view of a compass showing our new design;
 FIG. 2 is a top plan view thereof;
 FIG. 3 is a left side elevational view thereof;
 FIG. 4 is a front elevational view thereof;
 FIG. 5 is a rear elevational view thereof;
 FIG. 6 is a right side elevational view thereof.



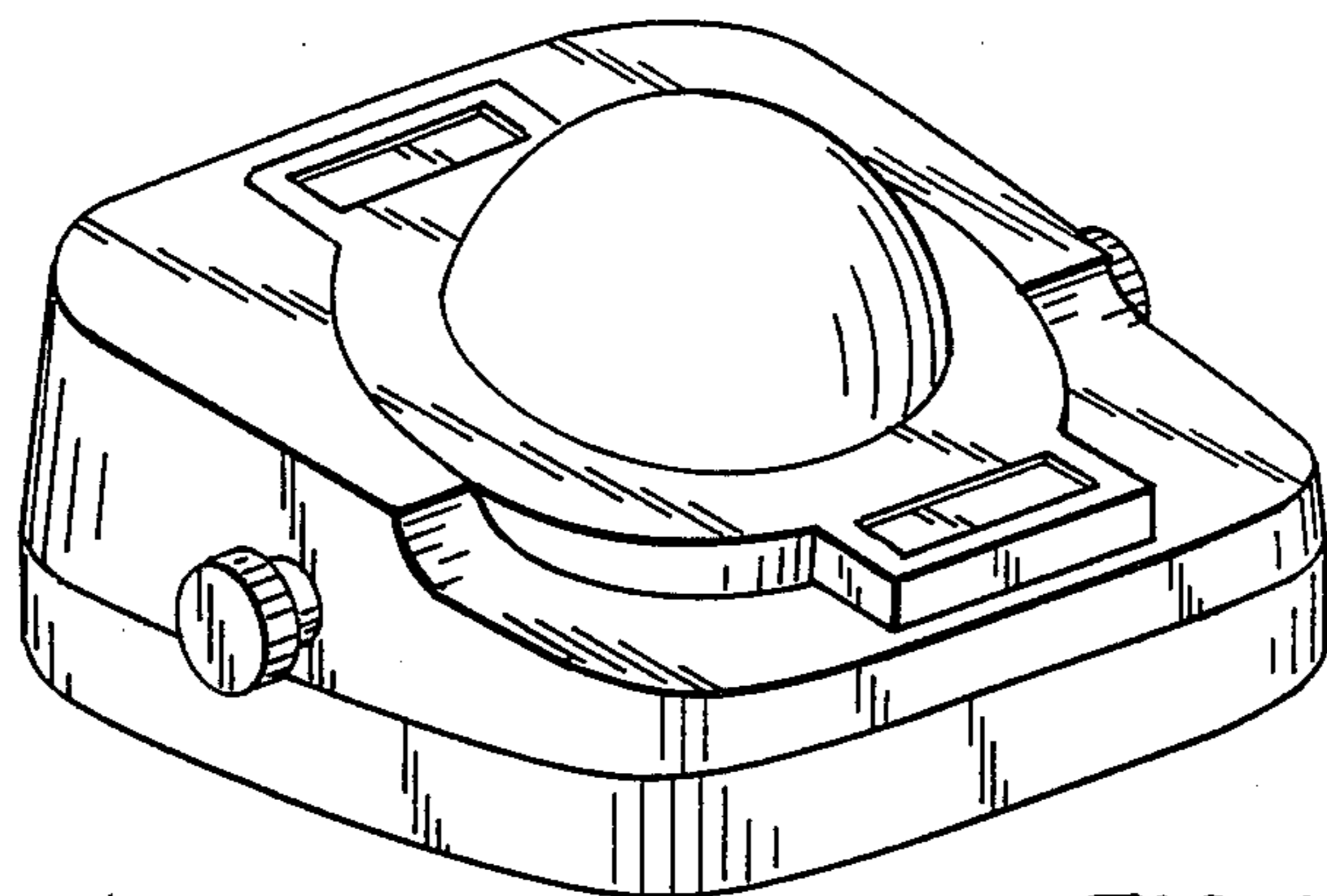


FIG 1

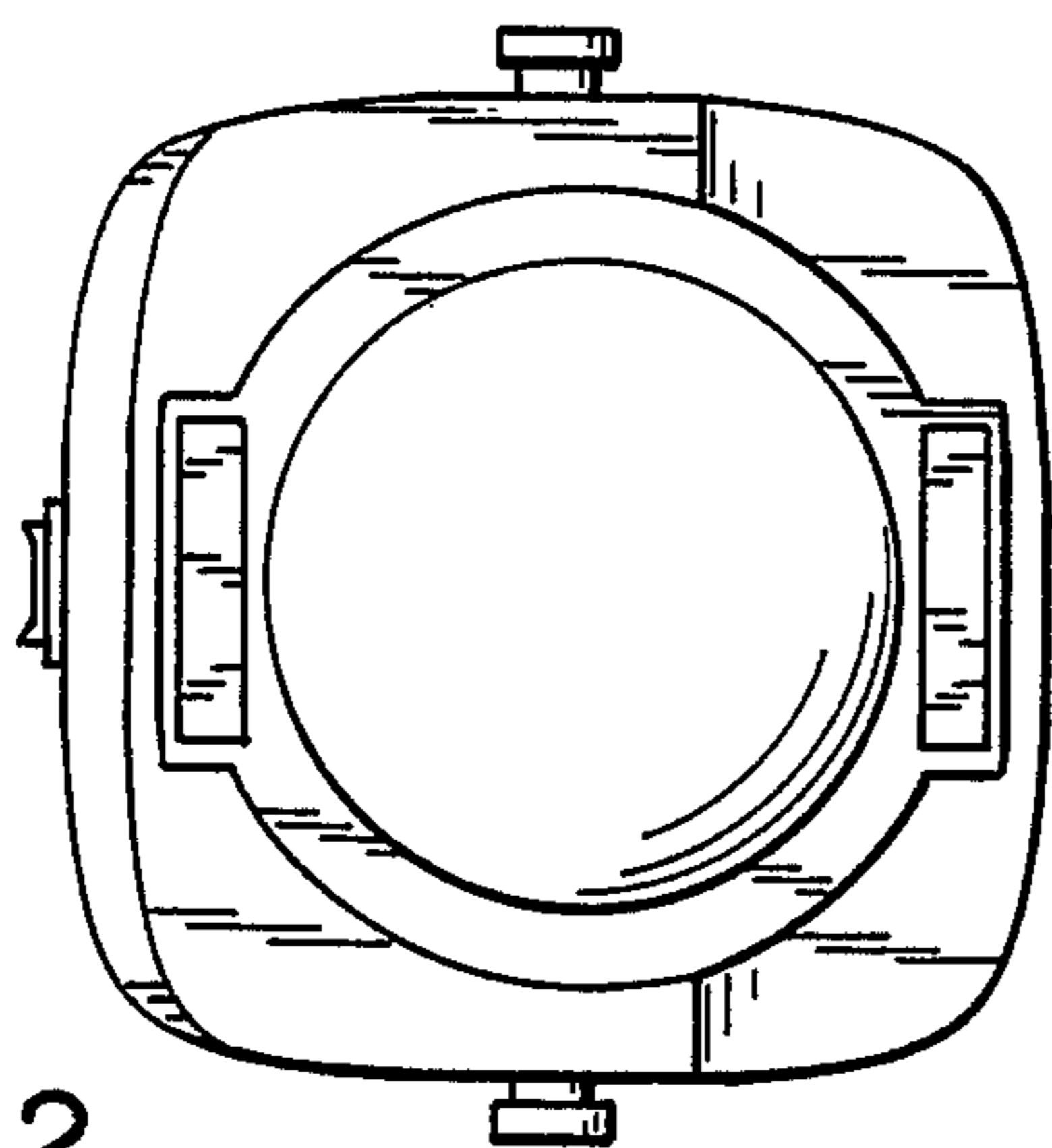


FIG 2

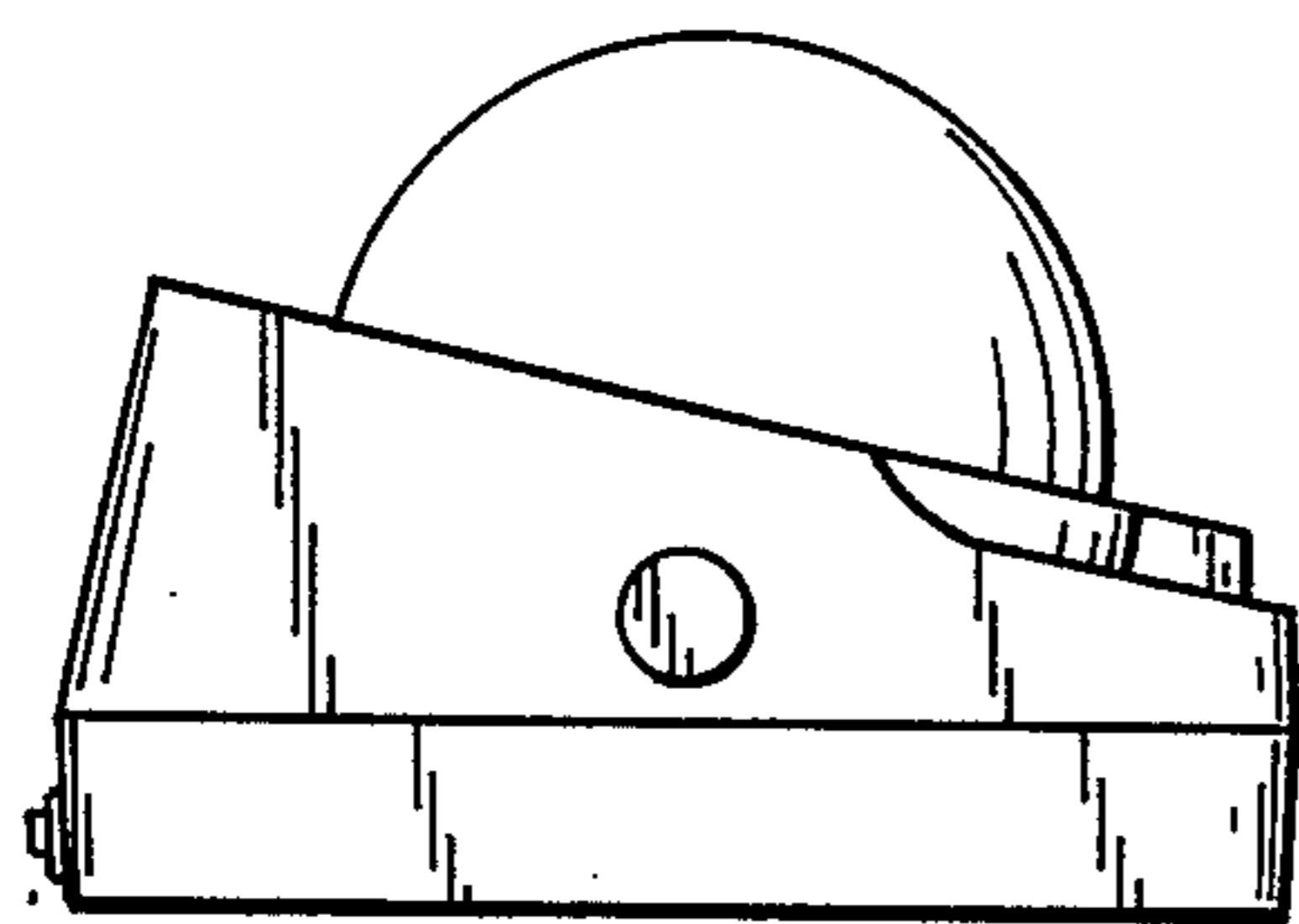


FIG 3

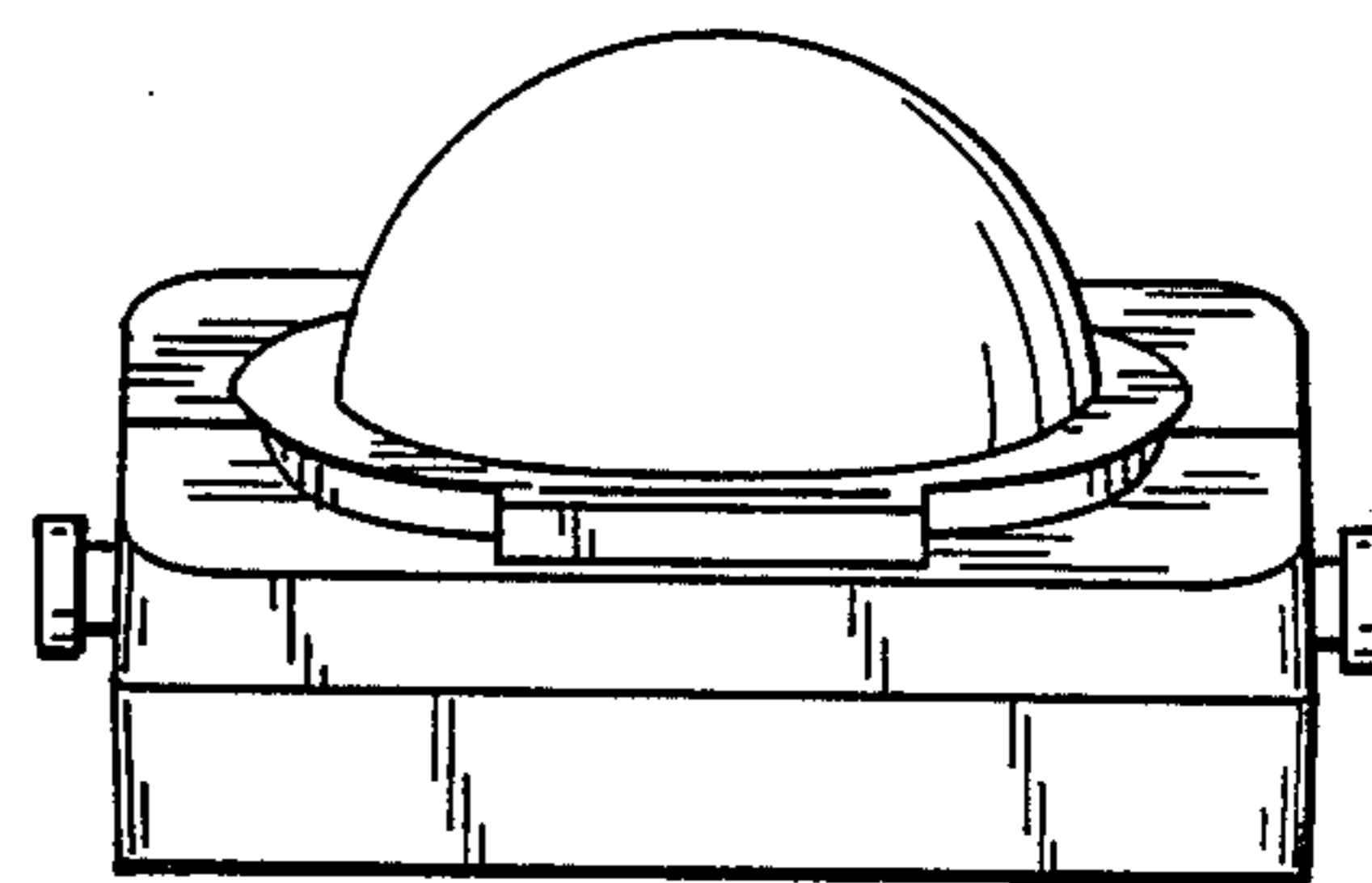


FIG 4

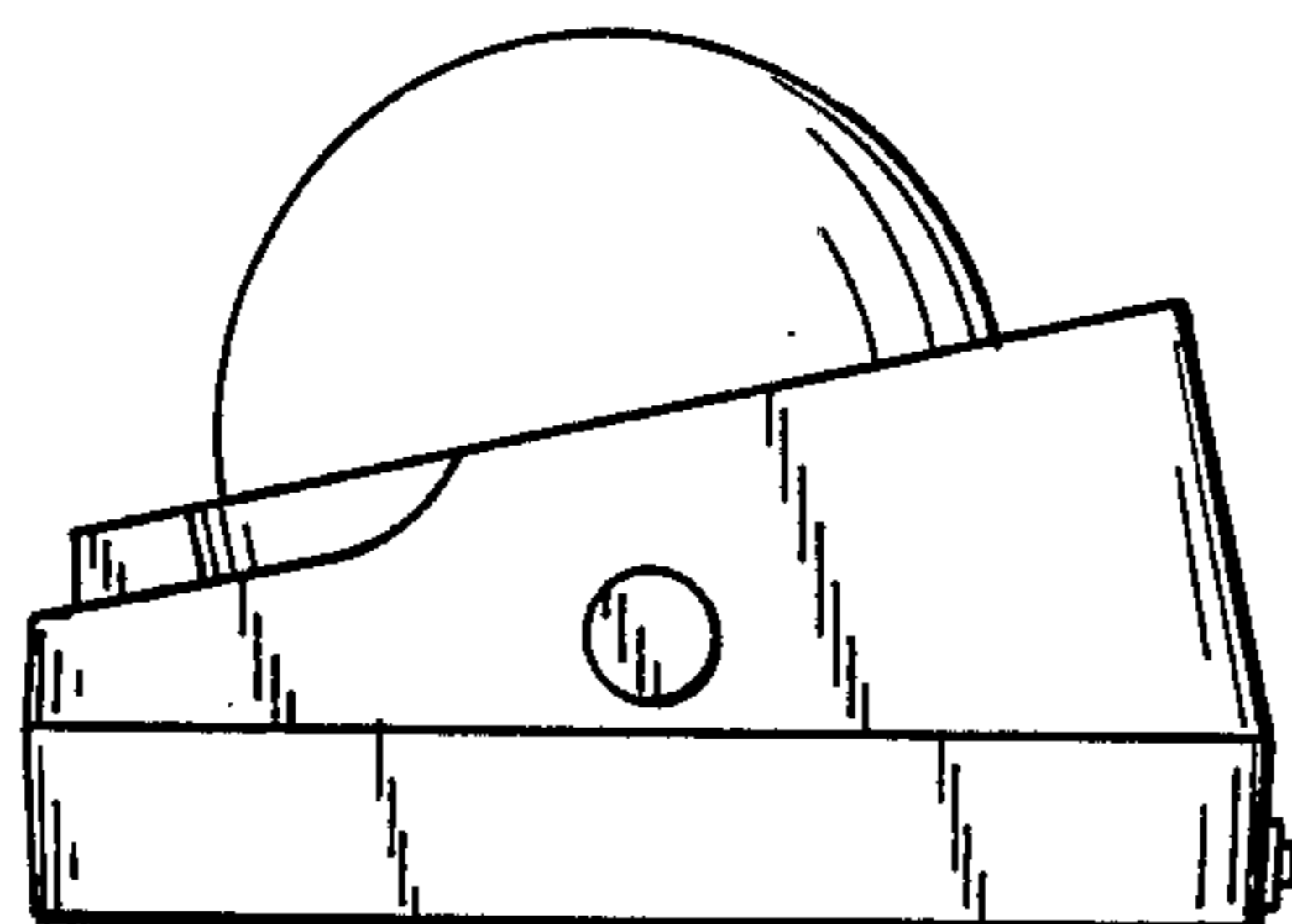


FIG 6

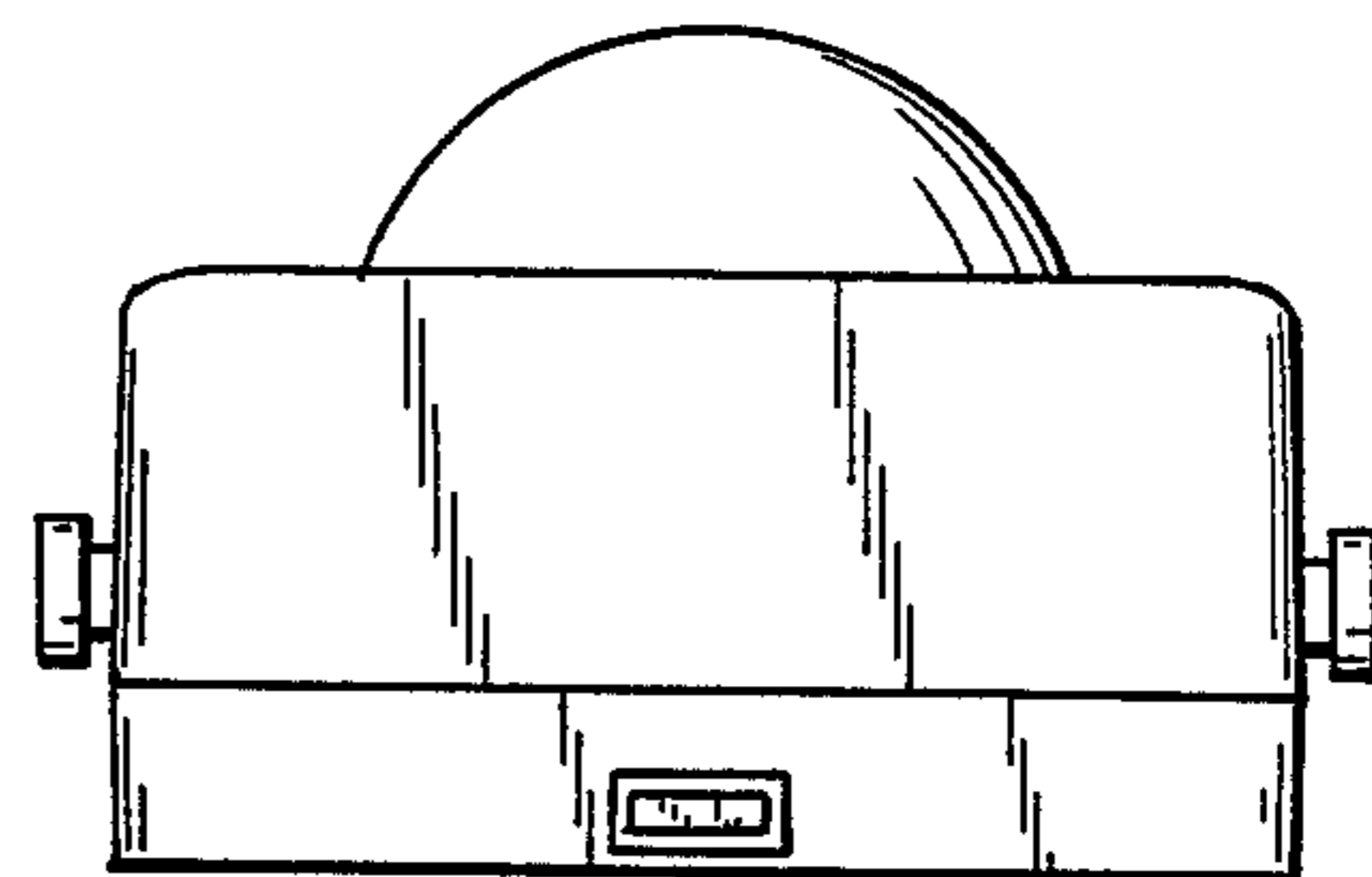


FIG 5