

[54] **COMPARTMENTED PACKAGING CONTAINER**

[75] **Inventors: Robert M. Fontana, Niles; Audri J. Evans, Morton Grove, both of Ill.**

[73] **Assignee: Kraft, Inc., Glenview, Ill.**

[\*\*] **Term: 14 Years**

[21] **Appl. No.: 785,902**

[22] **Filed: Oct. 9, 1985**

[52] **U.S. Cl. .... D9/347**

[58] **Field of Search ..... D9/341, 347, 424, 425; D34/46; D7/38, 81, 357, 409; D32/11, 29, 37, 53, 53.1, 54; 220/1 R; 229/1.5 R, 1.5 B**

[56] **References Cited**

**U.S. PATENT DOCUMENTS**

- D. 170,237 8/1953 Randall ..... D7/38
- D. 176,815 1/1956 Prentice et al. .... D7/38
- D. 198,387 6/1964 Rhodes ..... D7/38

- D. 218,843 9/1970 Melich ..... D7/38
- D. 235,498 6/1975 Day ..... D9/347
- 3,391,816 7/1968 Swett ..... D34/46 X

**OTHER PUBLICATIONS**

Kraft Light n' Lively ® container (photograph).

*Primary Examiner*—Robert C. Spangler  
*Attorney, Agent, or Firm*—Fitch, Even, Tabin & Flannery

[57] **CLAIM**

The ornamental design for a compartmented packaging container, as shown and described.

**DESCRIPTION**

FIG. 1 is a perspective view of a compartmented packaging container showing our new design;

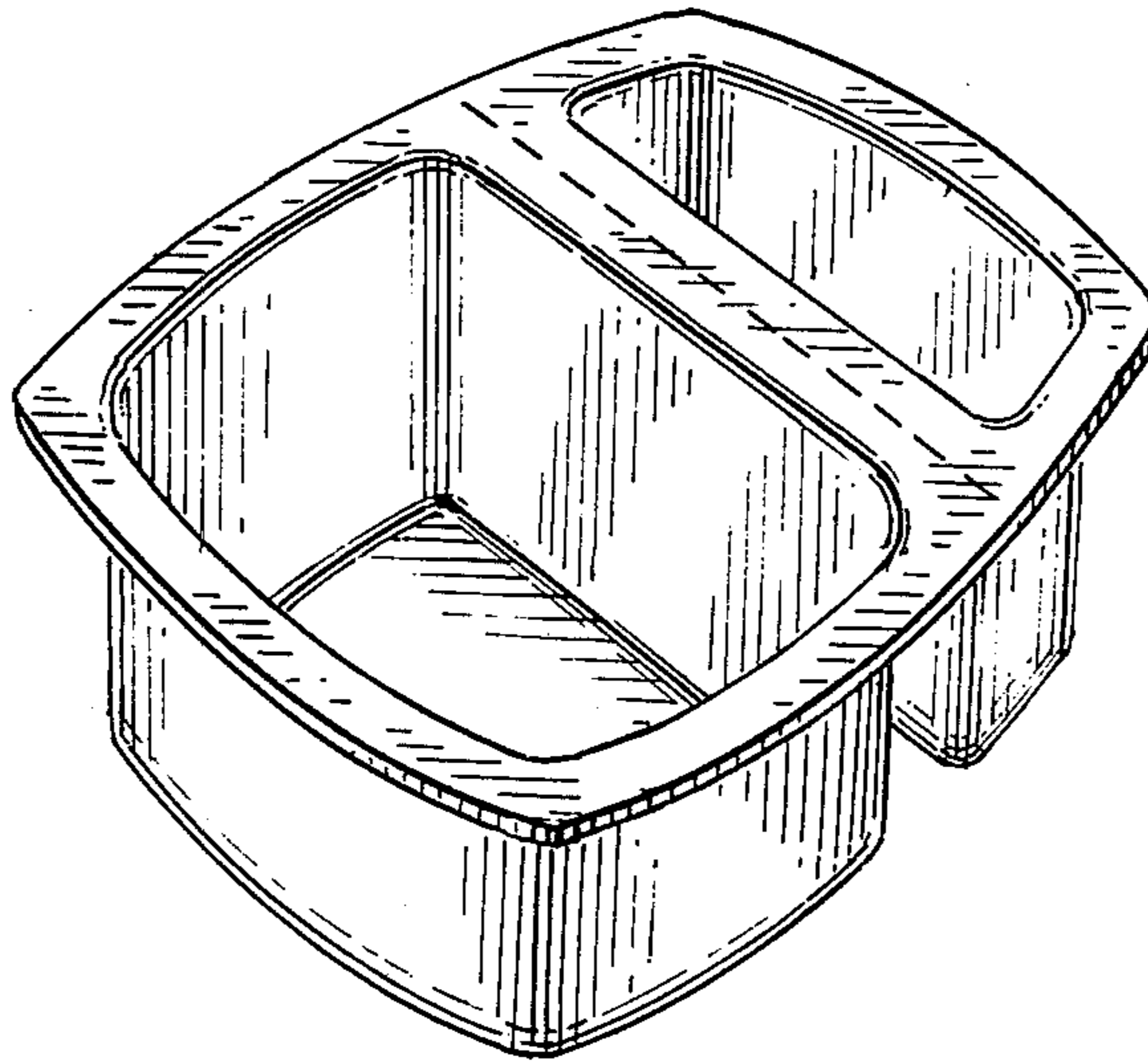
FIG. 2 is a top plan view;

FIG. 3 is an end elevational view;

FIG. 4 is a side elevational view; and,

FIG. 5 is a bottom plan view.

The dash lines in the drawings represent score lines.



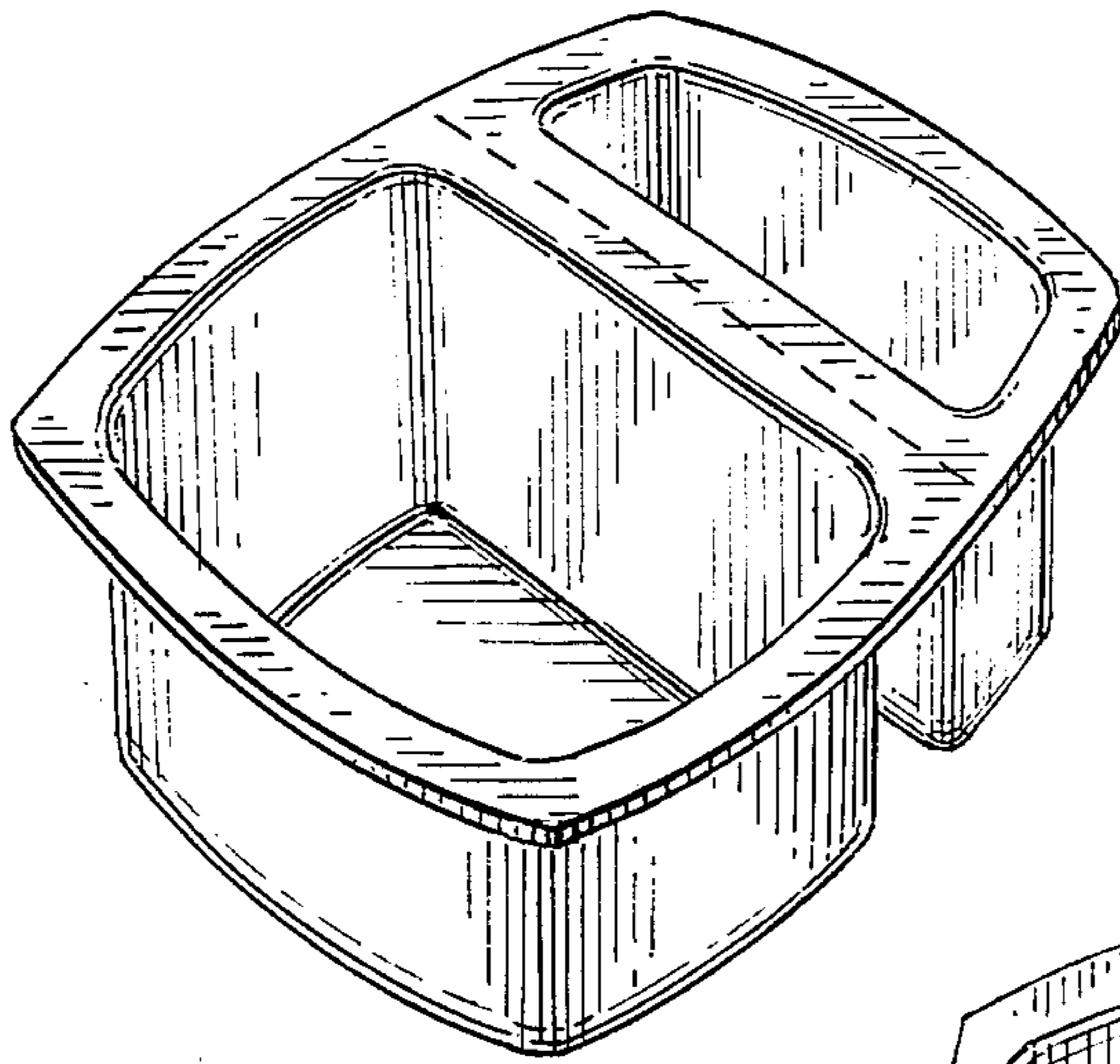


FIG. 1

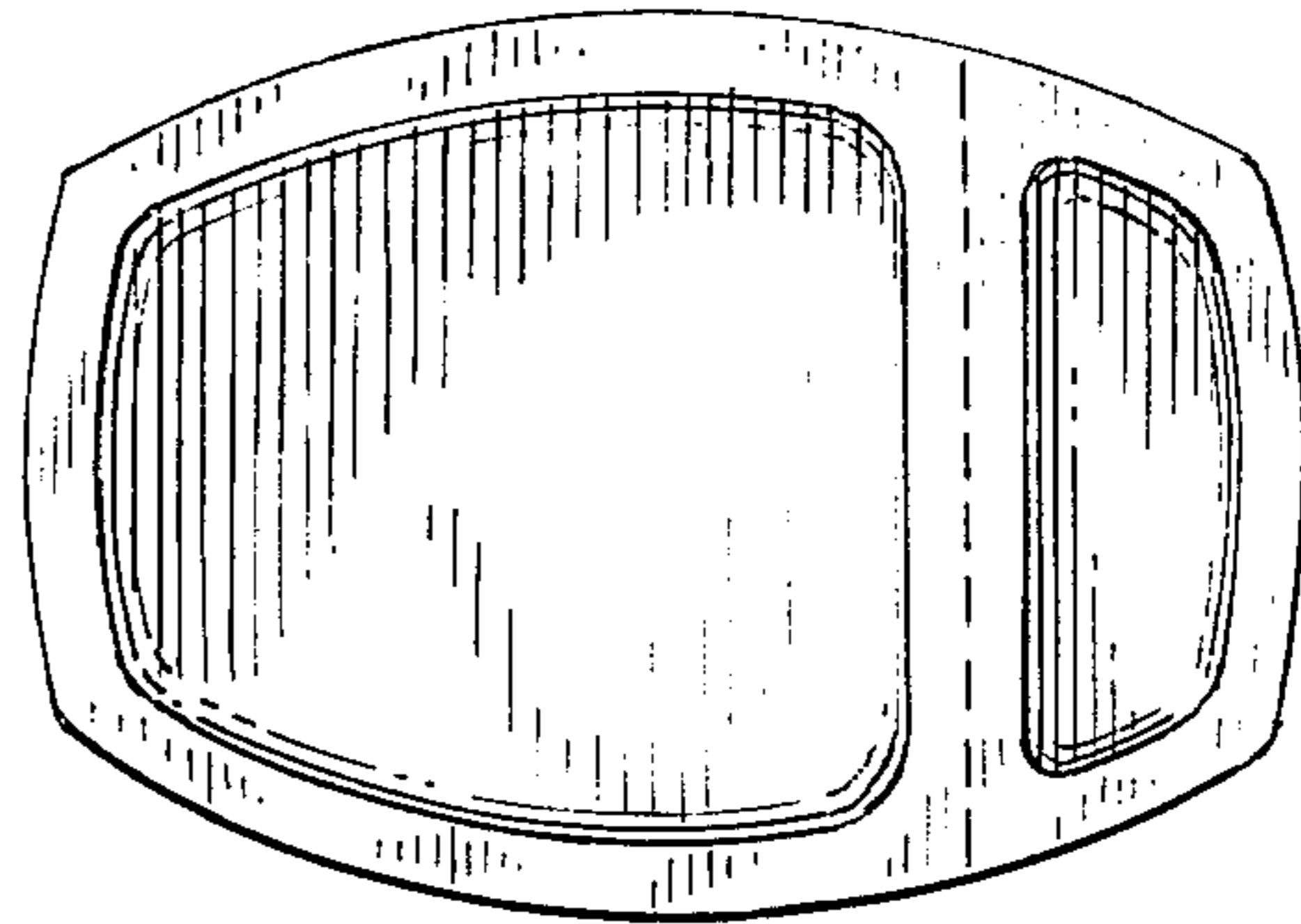


FIG. 2

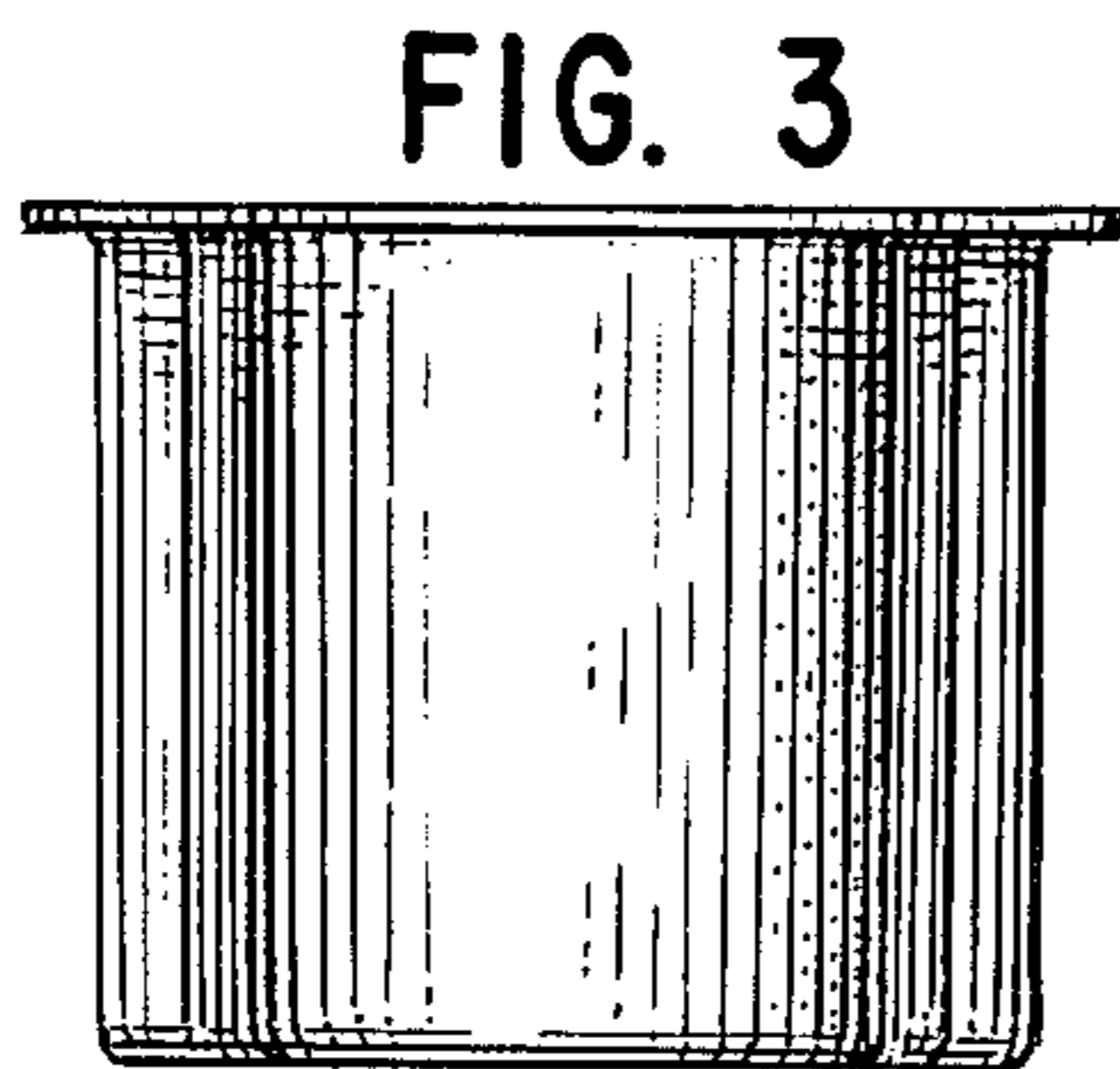


FIG. 3

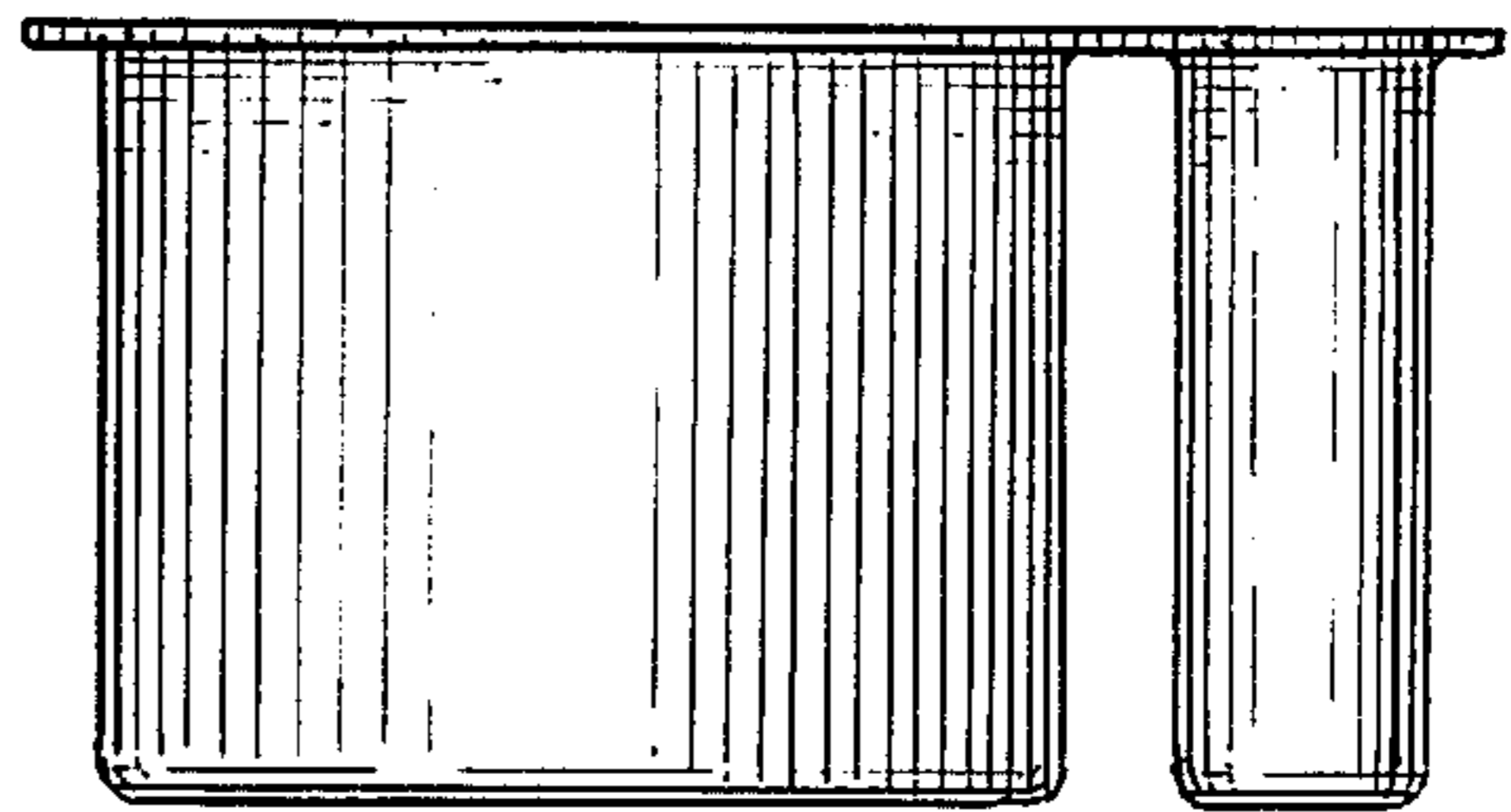


FIG. 4

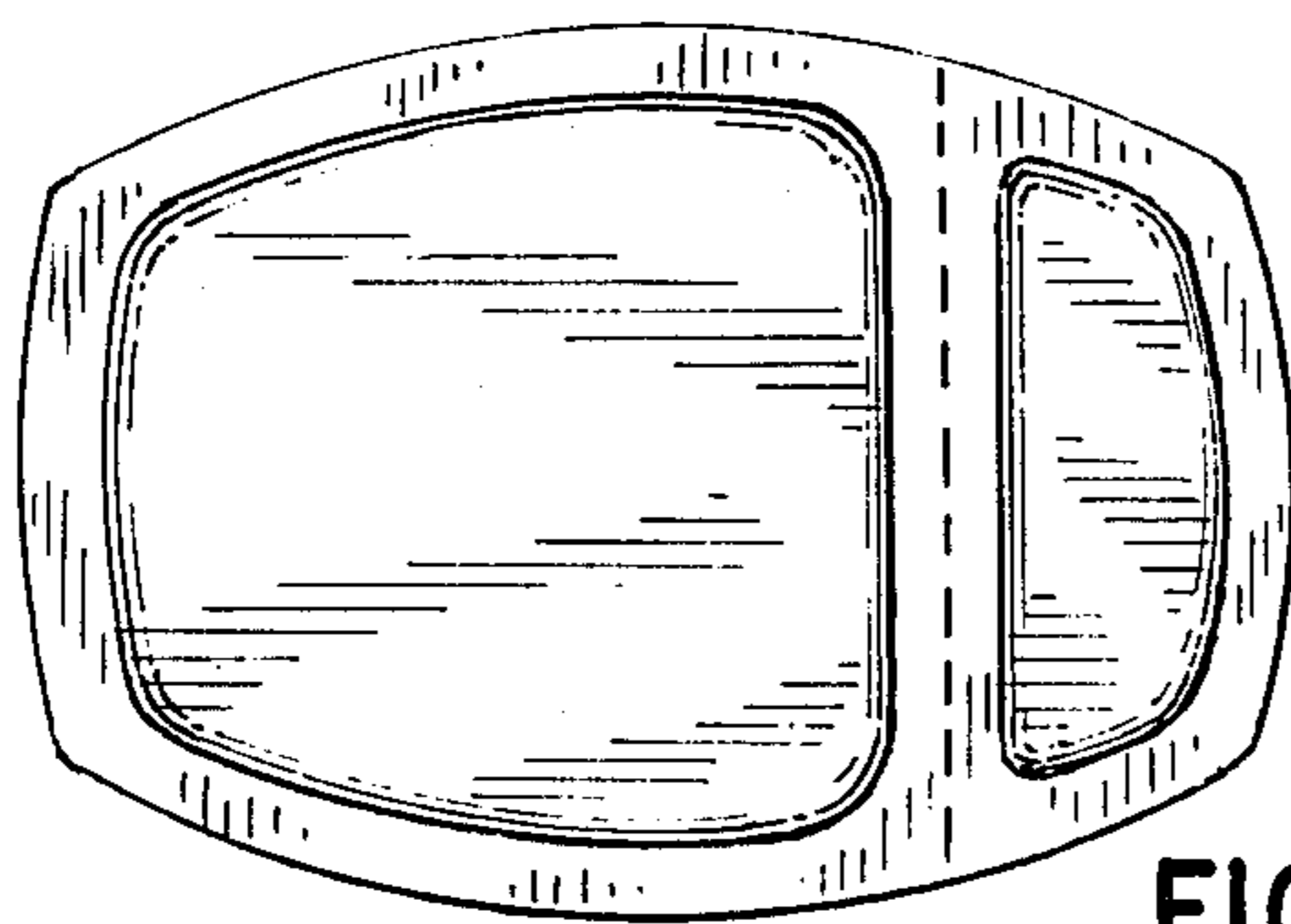


FIG. 5