

**United States Patent** [19]  
**Holdaway**

[11] **Patent Number: Des. 297,112**  
[45] **Date of Patent: \*\* Aug. 9, 1988**

[54] **EXTENSION TUBE CLIP FOR AEROSOL CANS OR THE LIKE**

[75] **Inventor: Gary J. Holdaway, North Rocks, Australia**

[73] **Assignee: Hawker Pacific Pty. Ltd., New South Wales, Australia**

[\*\*] **Term: 14 Years**

[21] **Appl. No.: 724,252**

[22] **Filed: Apr. 17, 1985**

[30] **Foreign Application Priority Data**

Oct. 17, 1984 [AU] Australia ..... 9256/84

[52] **U.S. Cl. .... D8/395; D8/396**

[58] **Field of Search .... D8/382, 394-396; 24/326, 335, 336, 339; 248/213.2, 312.1, 229, 230**

[56] **References Cited**

**U.S. PATENT DOCUMENTS**

D. 210,098 2/1968 Marik ..... D8/394  
D. 259,393 6/1981 Kuru ..... D8/395

D. 270,329 8/1983 Hardy ..... D8/395  
545,641 9/1895 Wilson ..... 24/339  
3,235,209 2/1966 Seckerson et al. .... 24/339  
4,017,943 4/1977 Moore ..... 24/336  
4,121,798 10/1978 Schumacher et al. .... 24/336

*Primary Examiner*—B. J. Bullock  
*Attorney, Agent, or Firm*—Cushman, Darby & Cushman

[57] **CLAIM**

The ornamental design for an extension tube clip for aerosol cans or the like, as shown.

**DESCRIPTION**

FIG. 1 is a front elevational view of an extension tube clip for aerosol cans or the like embodying my new design;

FIG. 2 is a rear elevational view thereof;

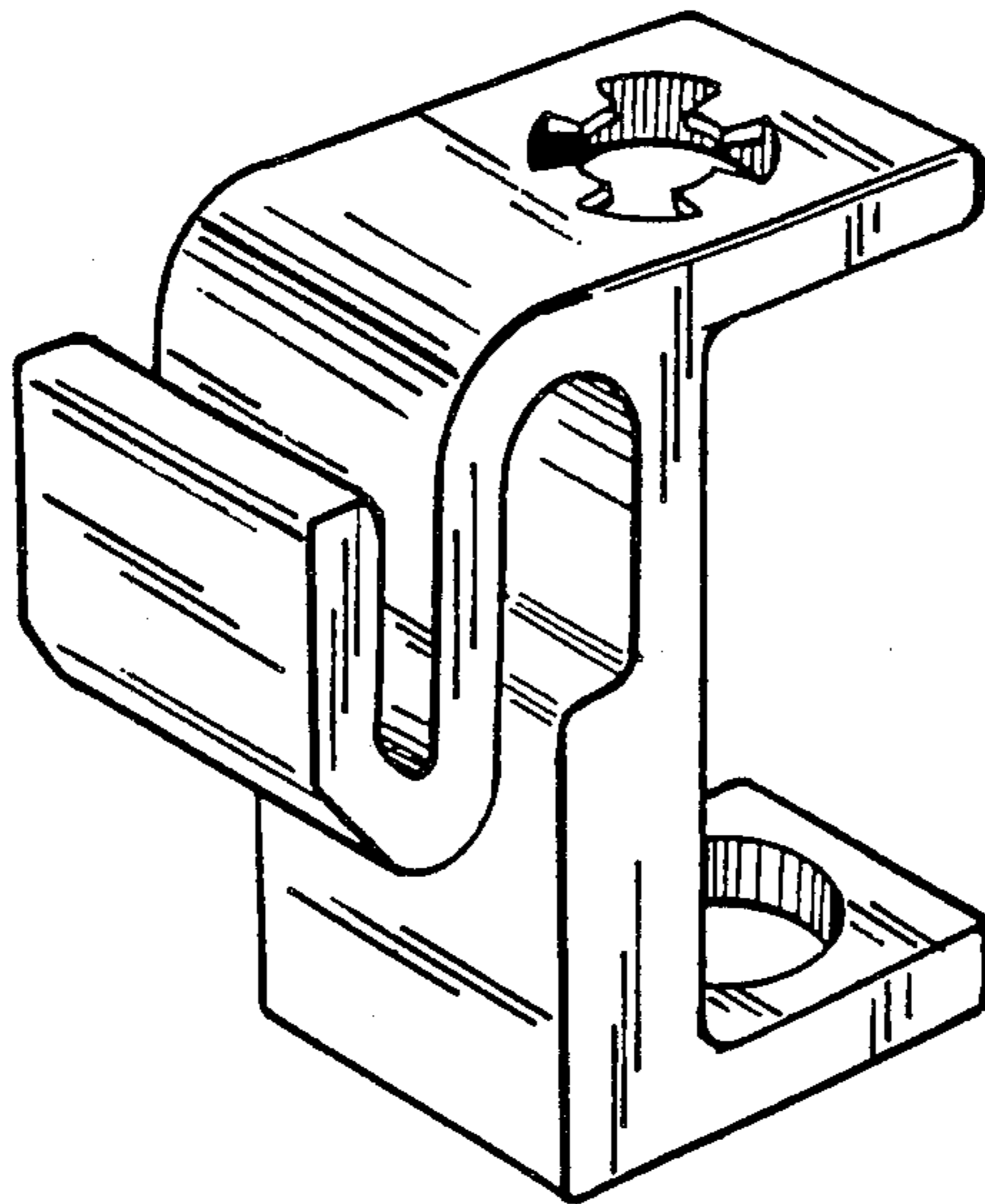
FIG. 3 is a left side elevational view thereof, the right side being a mirror image;

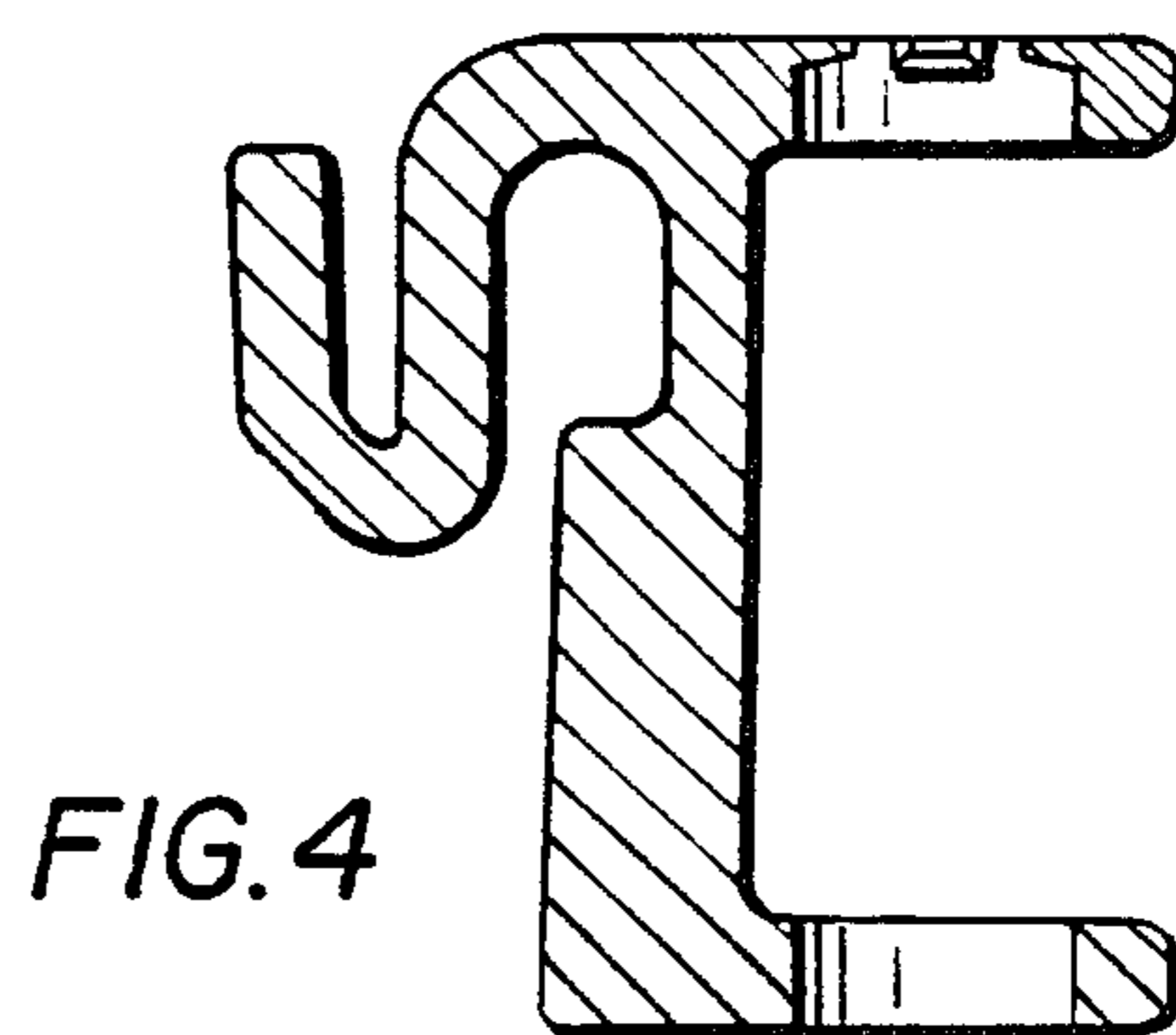
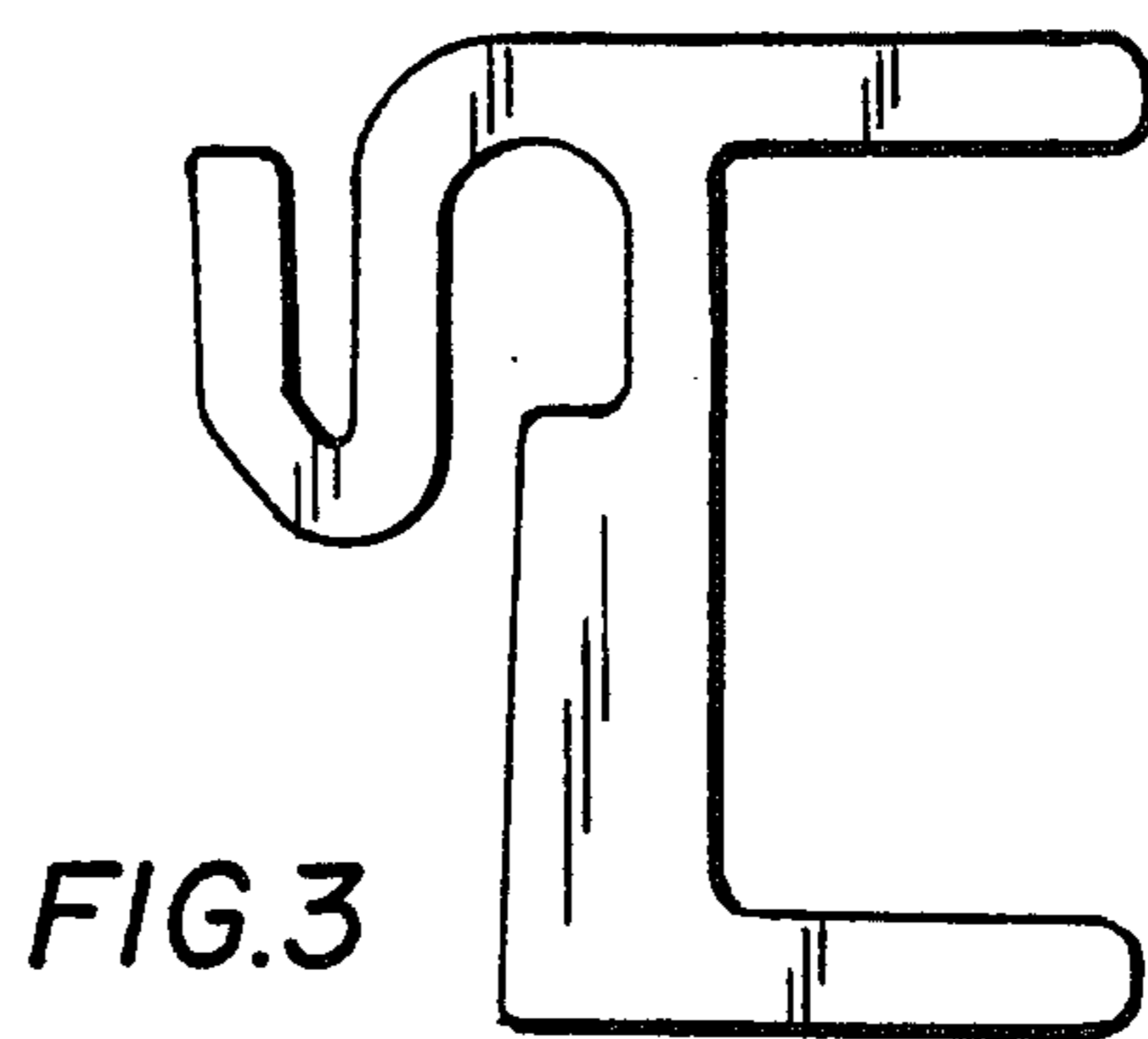
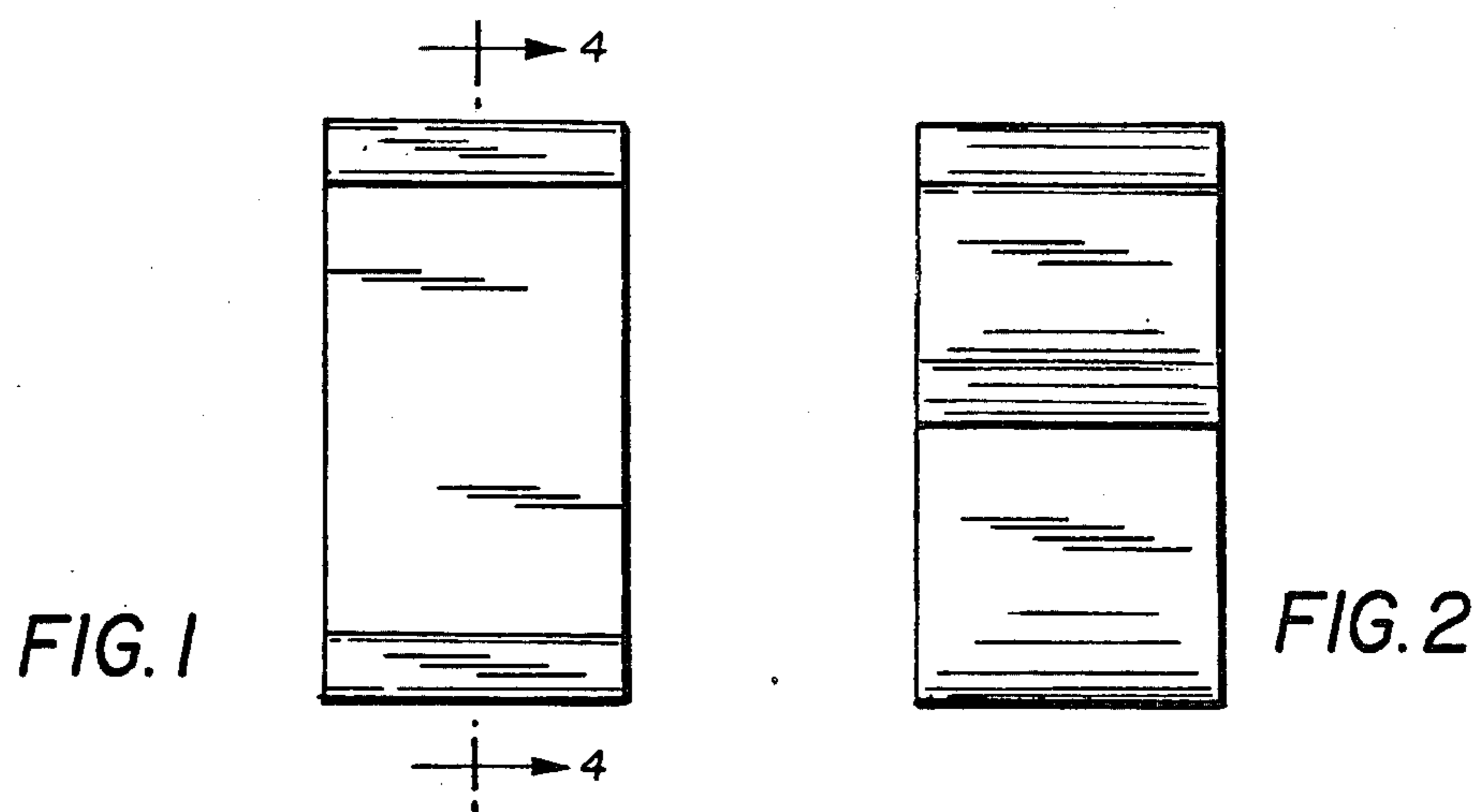
FIG. 4 is a sectional view taken in the direction of the arrows on line 4—4 of FIG. 1;

FIG. 5 is a top, rear perspective view thereof;

FIG. 6 is a top plan view thereof;

FIG. 7 is a bottom plan view thereof.





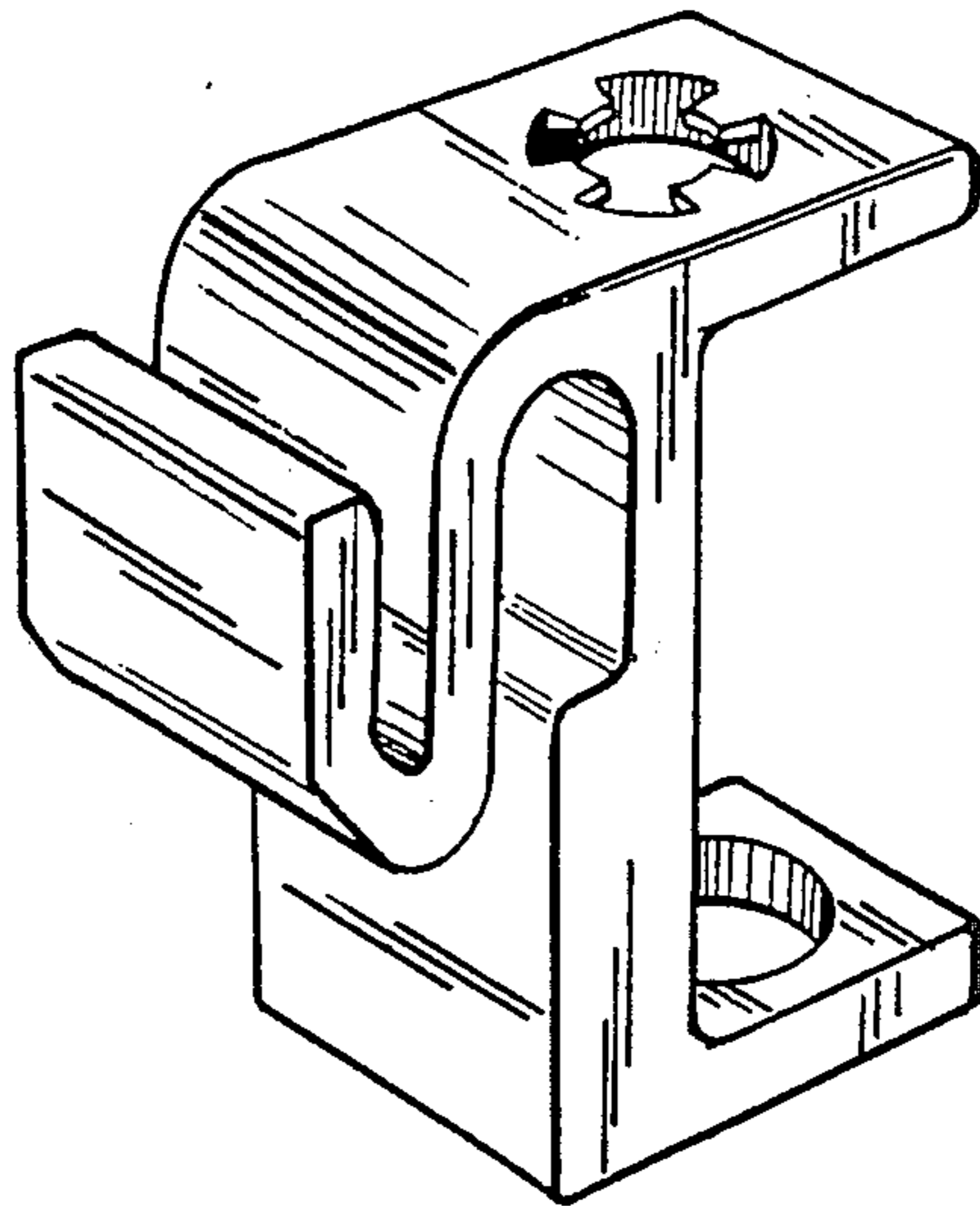


FIG. 5

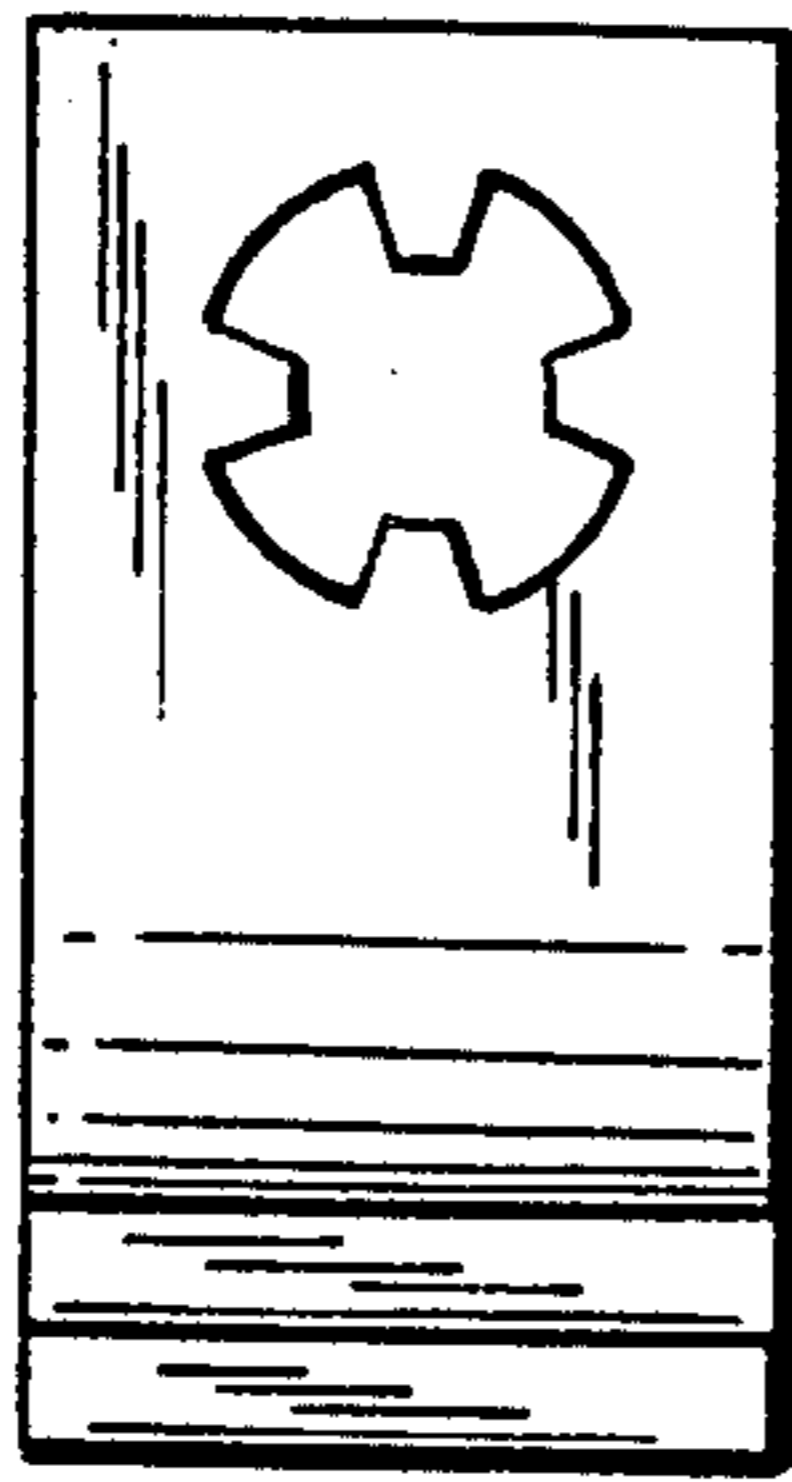


FIG. 6

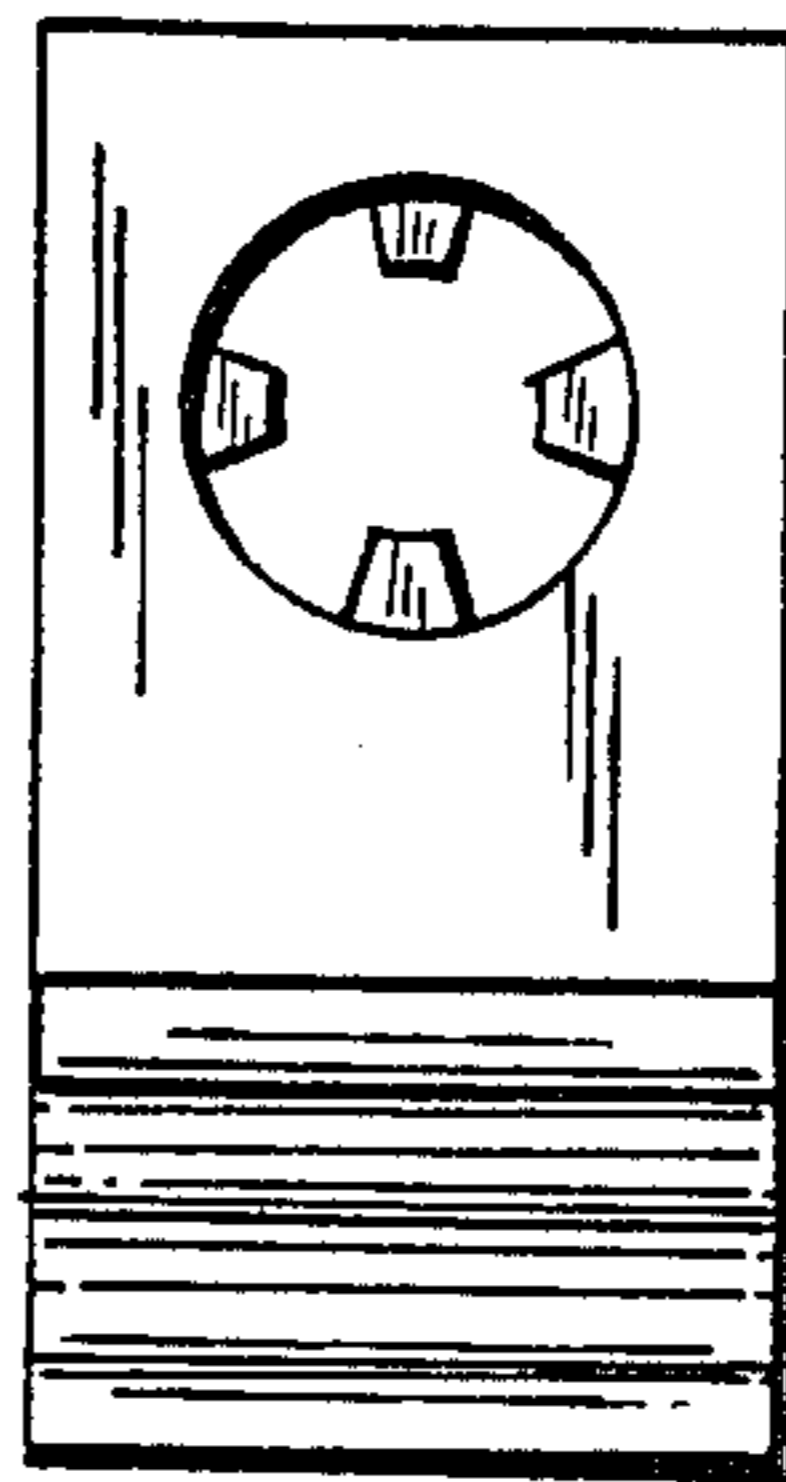


FIG. 7