

[54] **SHEET METAL BENDING PLIERS**
[76] **Inventor: Theodore S. Parish, Sr., 4435 16th St., Wyandotte, Mich. 48192**
[**] **Term: 14 Years**
[21] **Appl. No.: 730,077**
[22] **Filed: May 3, 1985**
[52] **U.S. Cl. D8/52**
[58] **Field of Search D8/23, 32, 52, 54-56, D8/58, 60; 81/367, 368, 418, 420, 426, 426.5; 72/409, 411**

4,386,542 6/1983 Verna 81/420
4,386,543 6/1983 Walker, Jr. 81/420

OTHER PUBLICATIONS

Vise-Grip Locking Hand Tools' Catalog, ©1980, p. 6, Welding Clamp, No. 9R & Sheet Metal Tool No. 8R.

Primary Examiner—Susan J. Lucas
Assistant Examiner—Clare E. Heflin
Attorney, Agent, or Firm—Terry M. Gernstein

[57] **CLAIM**

The ornamental design for sheet metal bending pliers, as shown and described.

[56] **References Cited**

U.S. PATENT DOCUMENTS

D. 250,451	12/1978	Chartier et al.	D8/52
2,679,775	6/1954	Fleming	81/420
2,972,270	2/1961	Krolick	81/420
2,974,717	3/1961	Lindsay	D8/23
3,635,107	1/1972	Schmidt	81/418
4,299,146	11/1981	Phelps	81/420

DESCRIPTION

FIG. 1 is a perspective view of sheet metal bending pliers showing my new design;
FIG. 2 is a left end elevational view thereof;
FIG. 3 is a right end elevational view thereof; and
FIG. 4 is a bottom plan view thereof;
FIG. 5 is a side elevational view thereof, the opposite side being a mirror image.

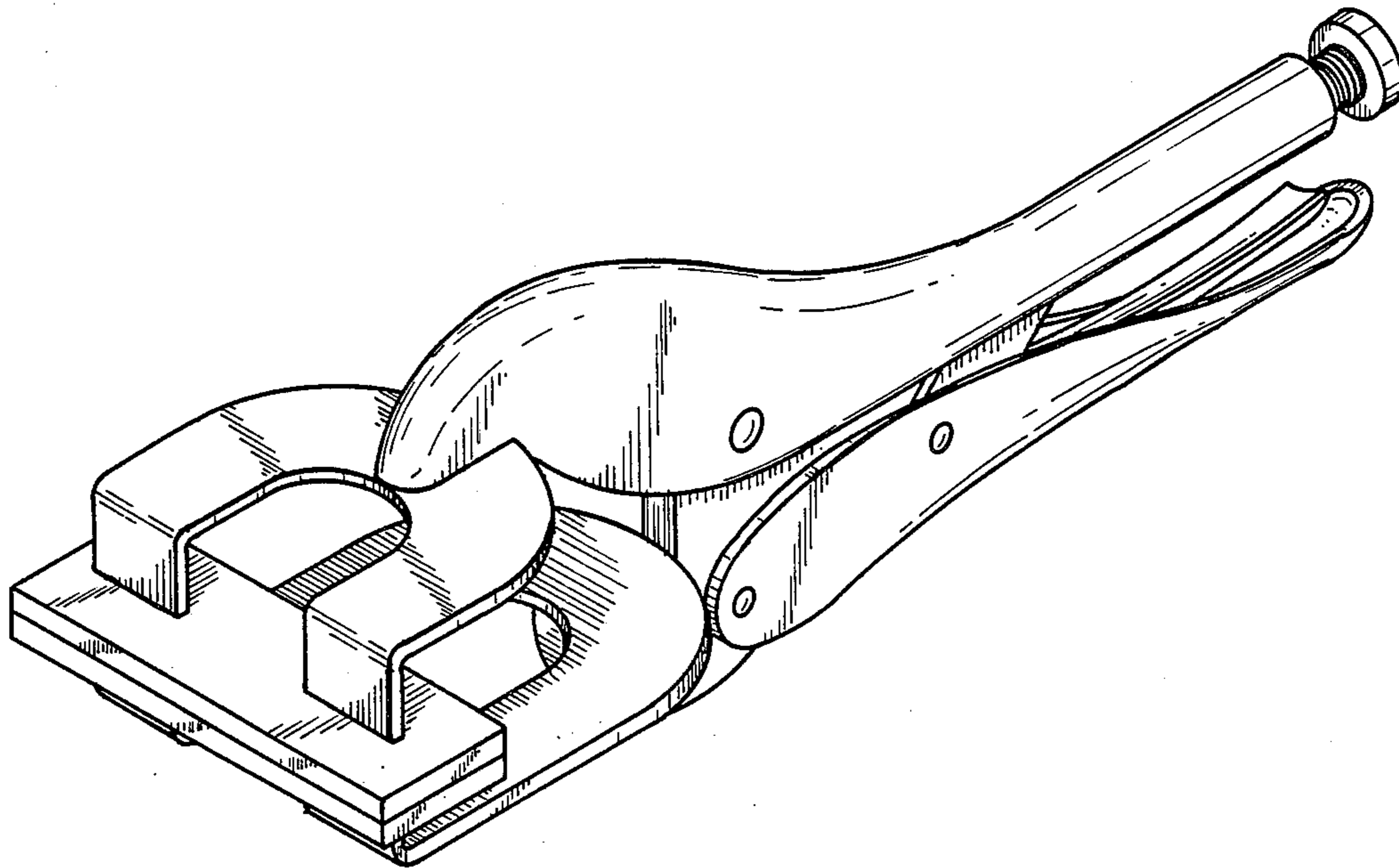


FIG 1

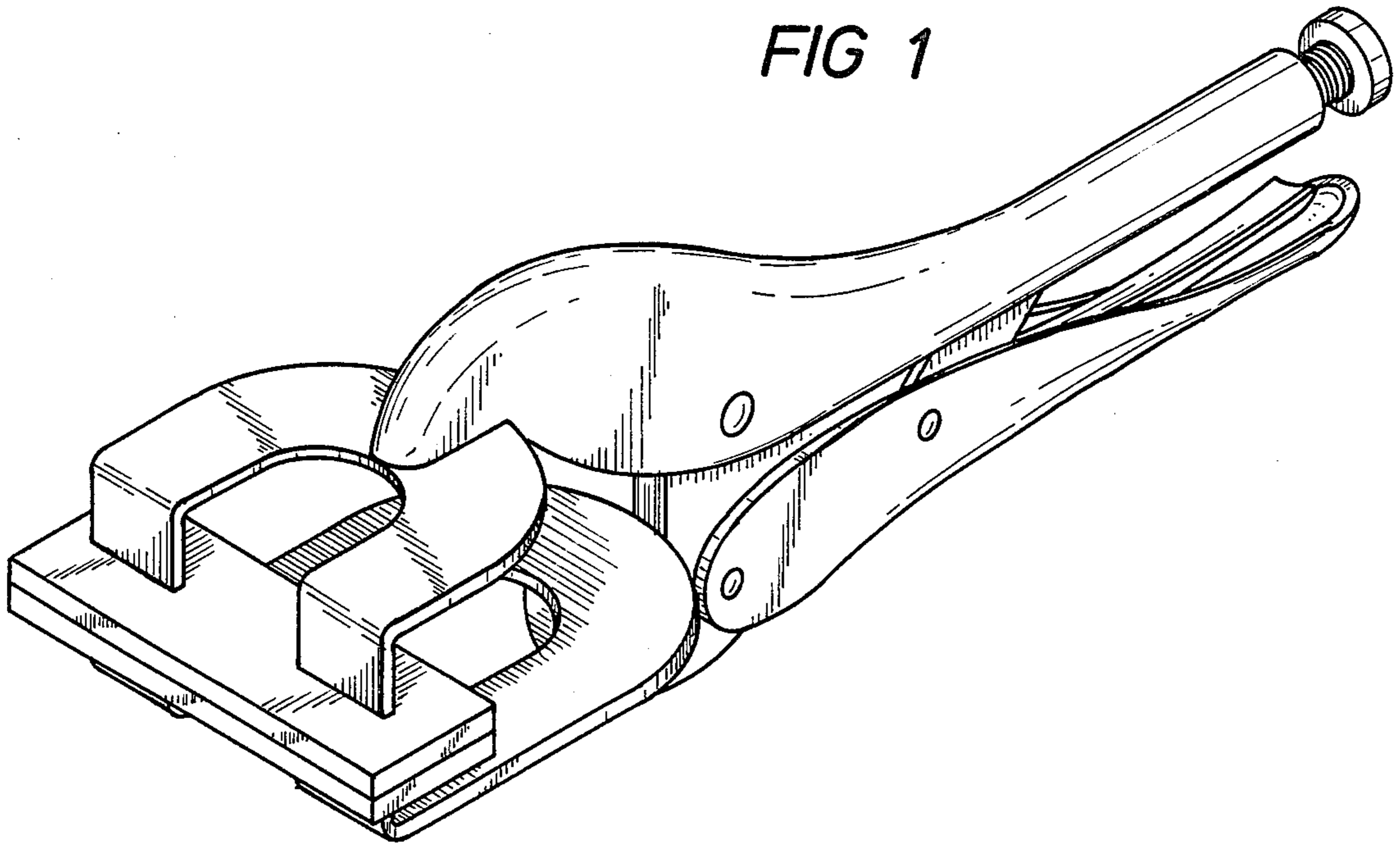


FIG 3

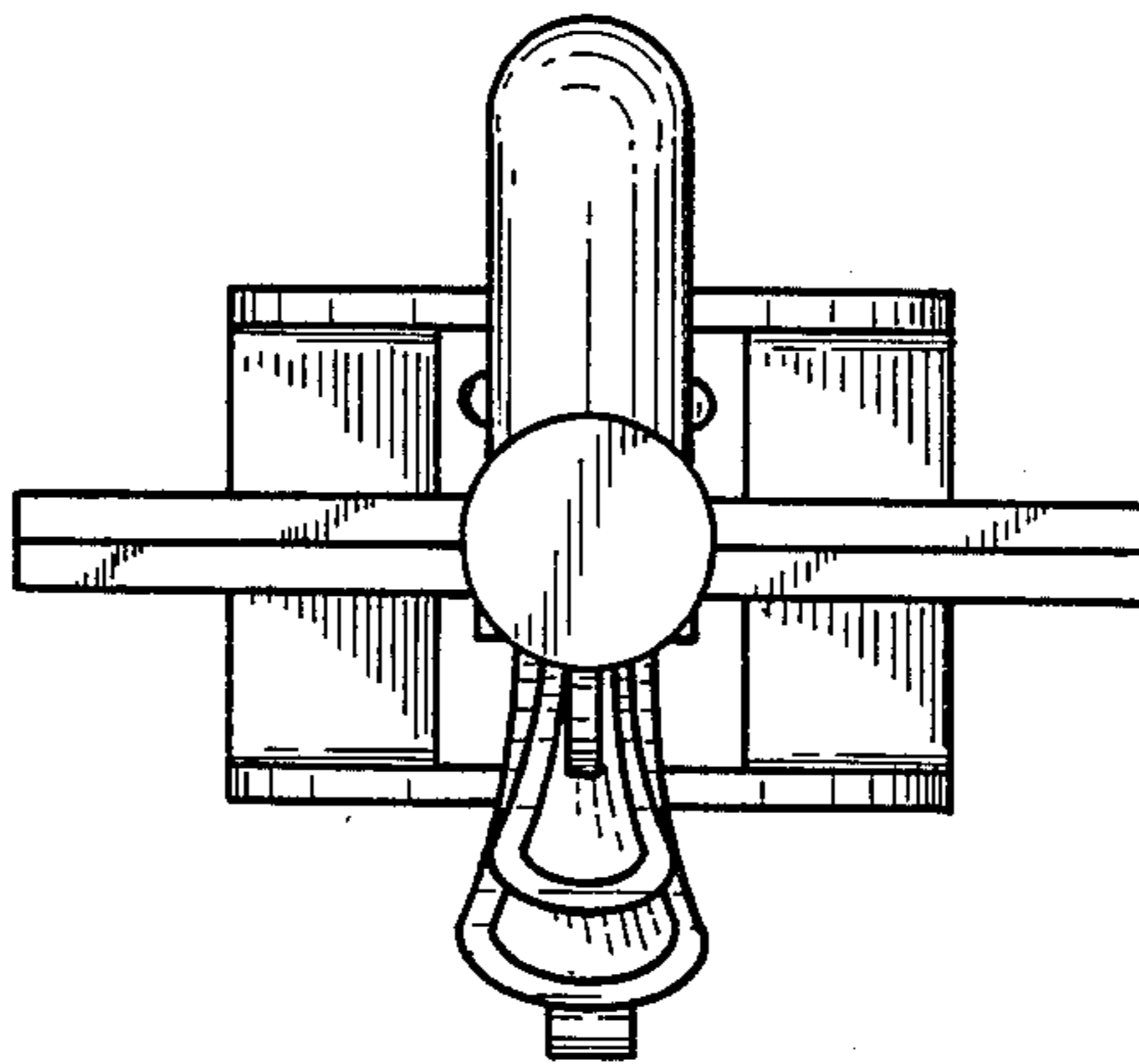


FIG 2

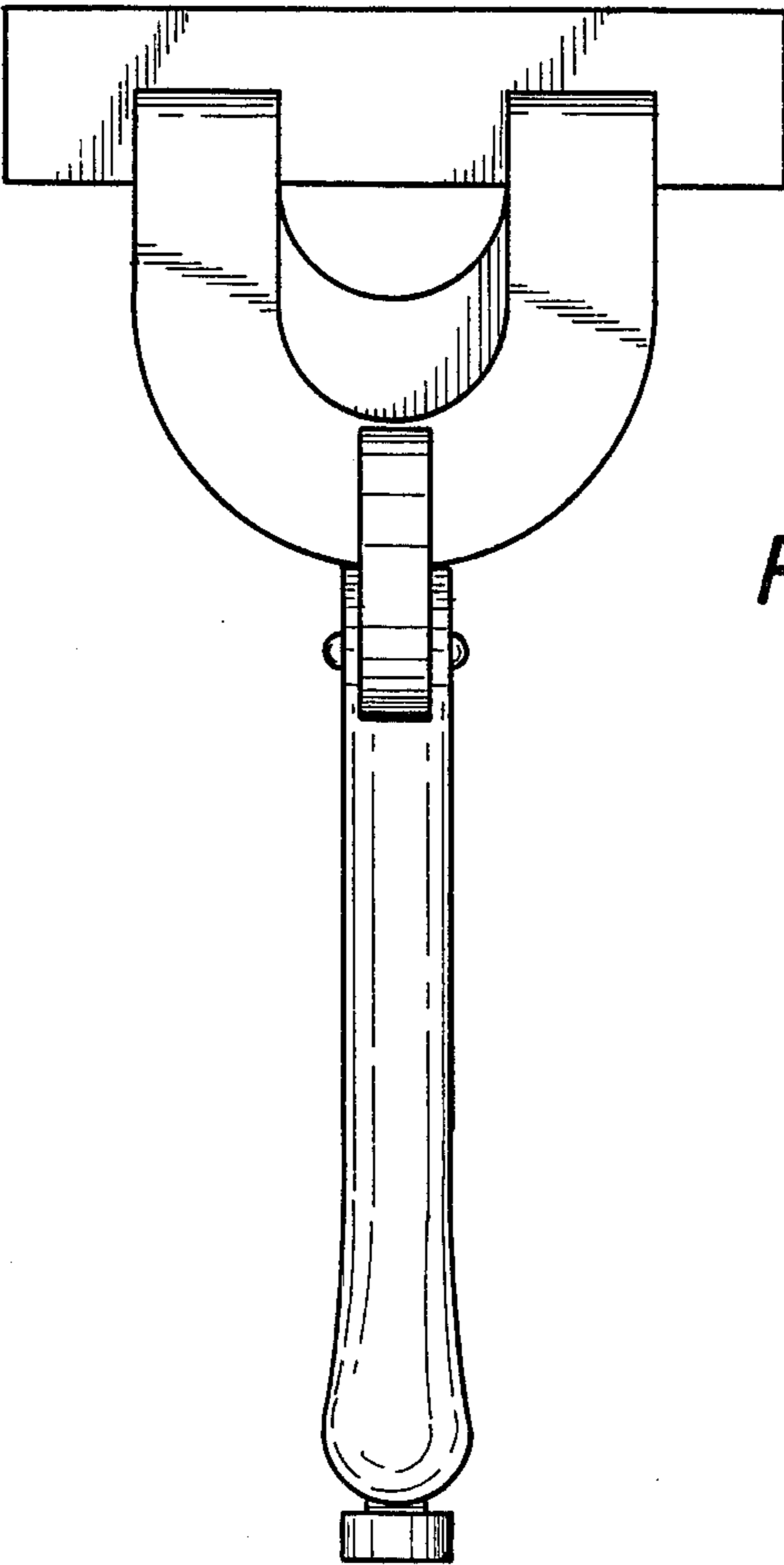
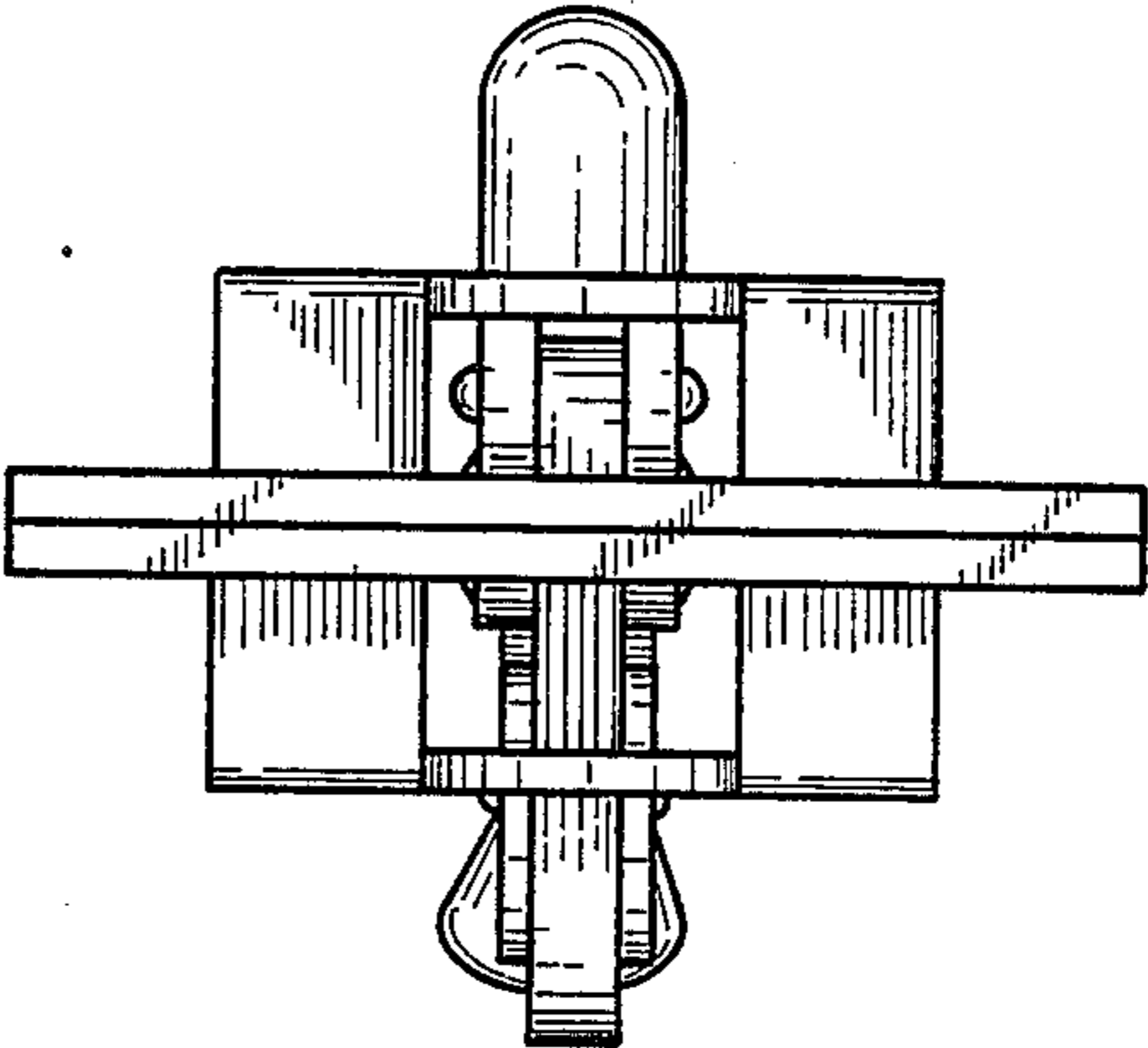


FIG 4

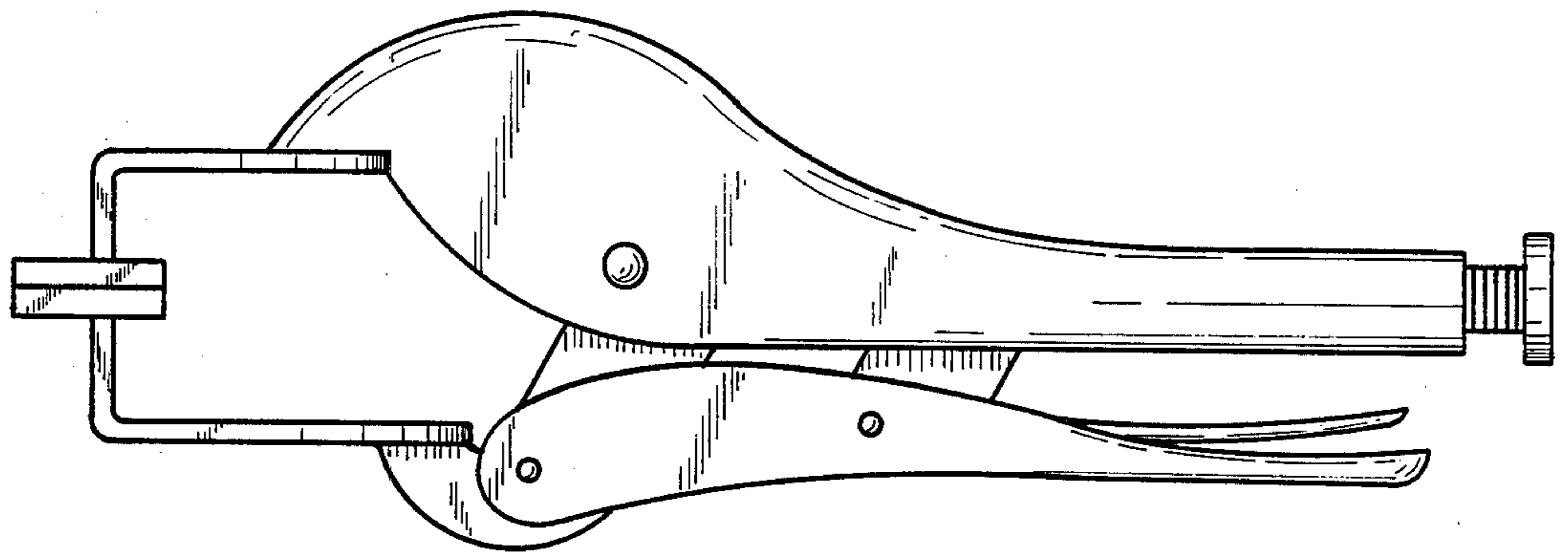


FIG 5