

United States Patent [19]

Ohya et al.

[11] Patent Number: **Des. 297,098**

[45] Date of Patent: **** Aug. 9, 1988**

[54] **EXPRESSO COFFEE MAKER**

[75] Inventors: **Yoshio Ohya, Kamo; Koichi Tamaki, Niigata; Junichi Sano, Kamo, all of Japan**

[73] Assignee: **Toshiba Heating Appliances Company, Ltd., Niigata, Japan**

[**] Term: **14 Years**

[21] Appl. No.: **681,807**

[22] Filed: **Dec. 14, 1984**

[30] **Foreign Application Priority Data**

Oct. 3, 1984 [JP] Japan 59-41254
[52] U.S. Cl. **D7/309; D7/311**
[58] Field of Search **D7/300, 309, 305, 311; 99/282, 283, 302 R, 303, 295**

[56] **References Cited**

U.S. PATENT DOCUMENTS

D. 196,629 10/1963 Decarli D7/309
D. 269,183 5/1983 Van Asten D7/309
2,881,692 4/1959 Volcov 99/283

3,517,603 6/1970 Bruenjes et al. 99/283
3,599,557 8/1971 Leal 99/302 R
3,793,933 2/1974 Weber 99/283
3,872,781 3/1975 Helbling 99/282

Primary Examiner—A. Hugo Word
Assistant Examiner—Stella M. Reid
Attorney, Agent, or Firm—Flehr, Hohbach, Test, Albritton & Herbert

[57] **CLAIM**

The ornamental design for an espresso coffee maker, as shown.

DESCRIPTION

FIG. 1 is a front elevational view of an espresso coffee maker showing our new design;
FIG. 2 is a rear elevational view thereof;
FIG. 3 is a top plan view thereof;
FIG. 4 is a bottom plan view thereof;
FIG. 5 is a left side elevational view thereof;
FIG. 6 is a right side elevational view thereof;
FIG. 7 is a cross-sectional view thereof, taken on line 7—7 of FIG. 6; and
FIG. 8 is a perspective view thereof.

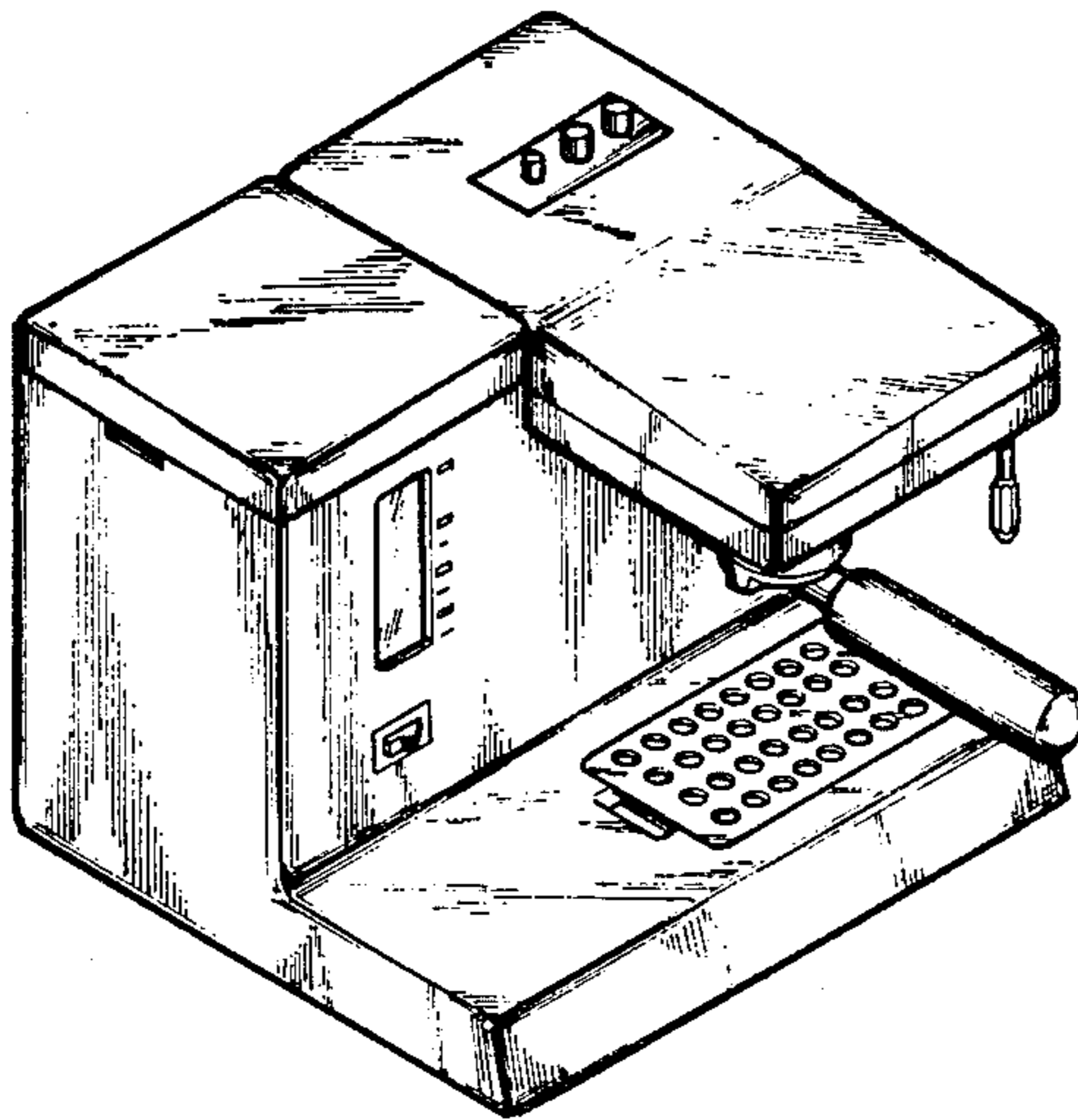


FIG. 1

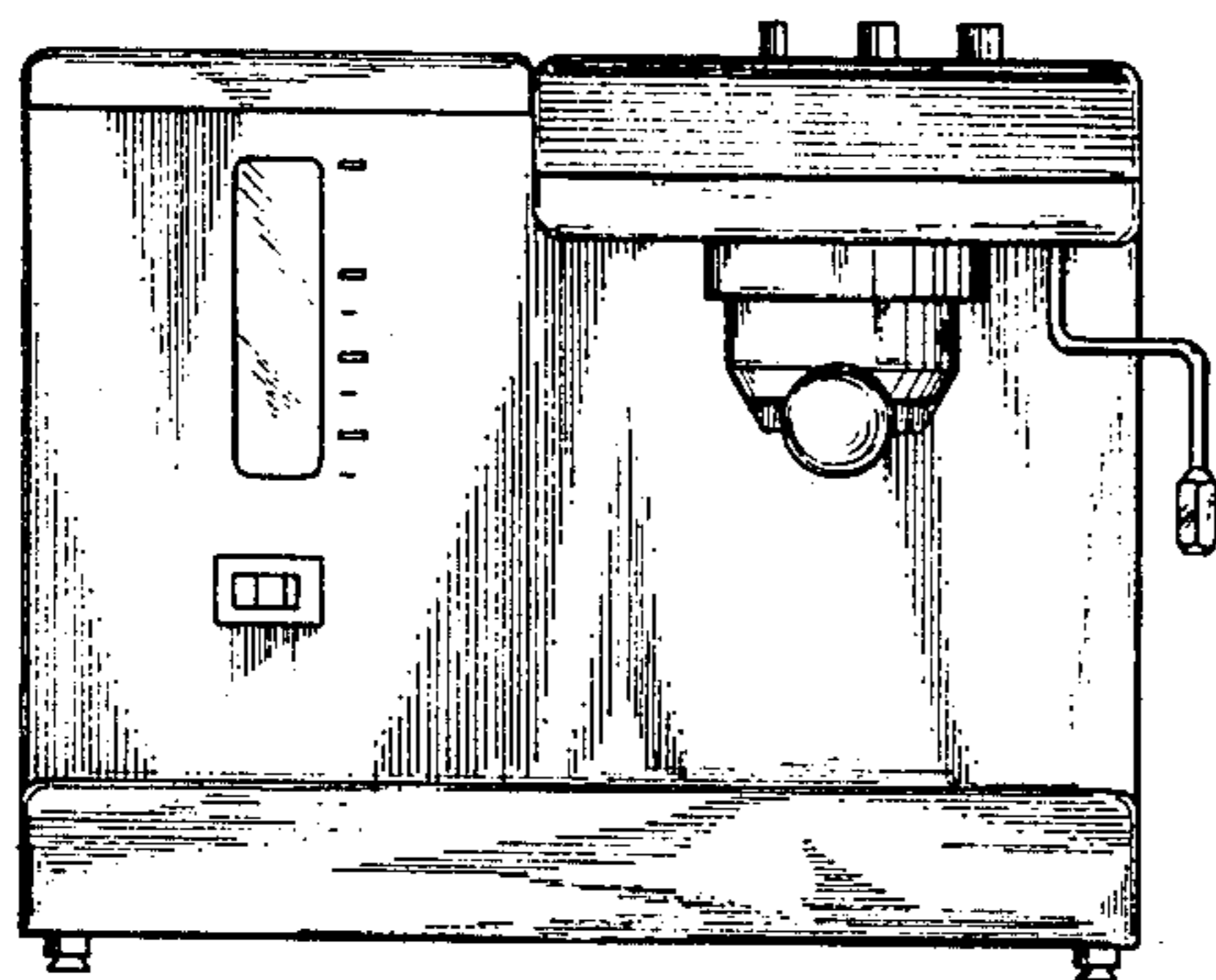


FIG. 2

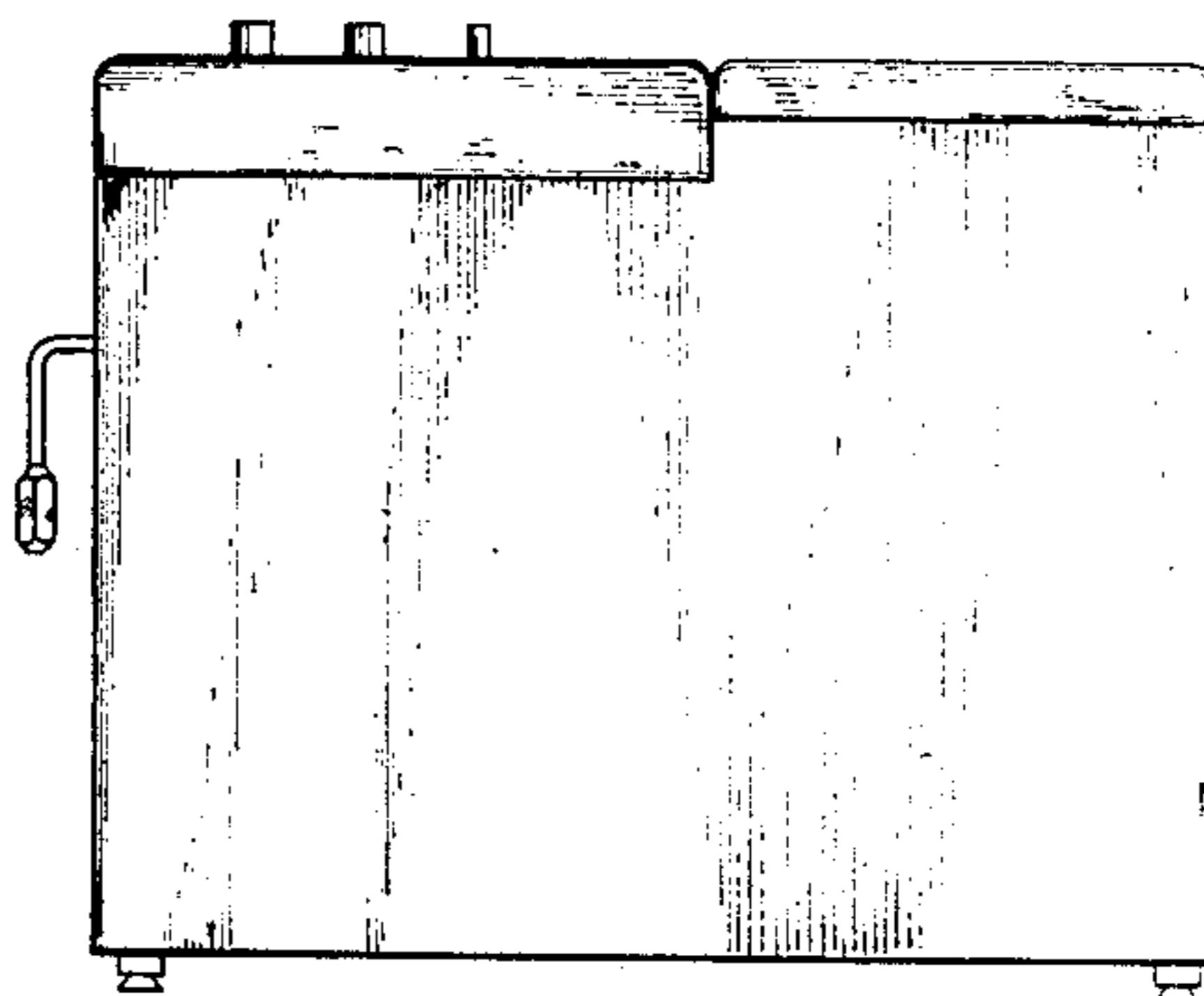


FIG. 3

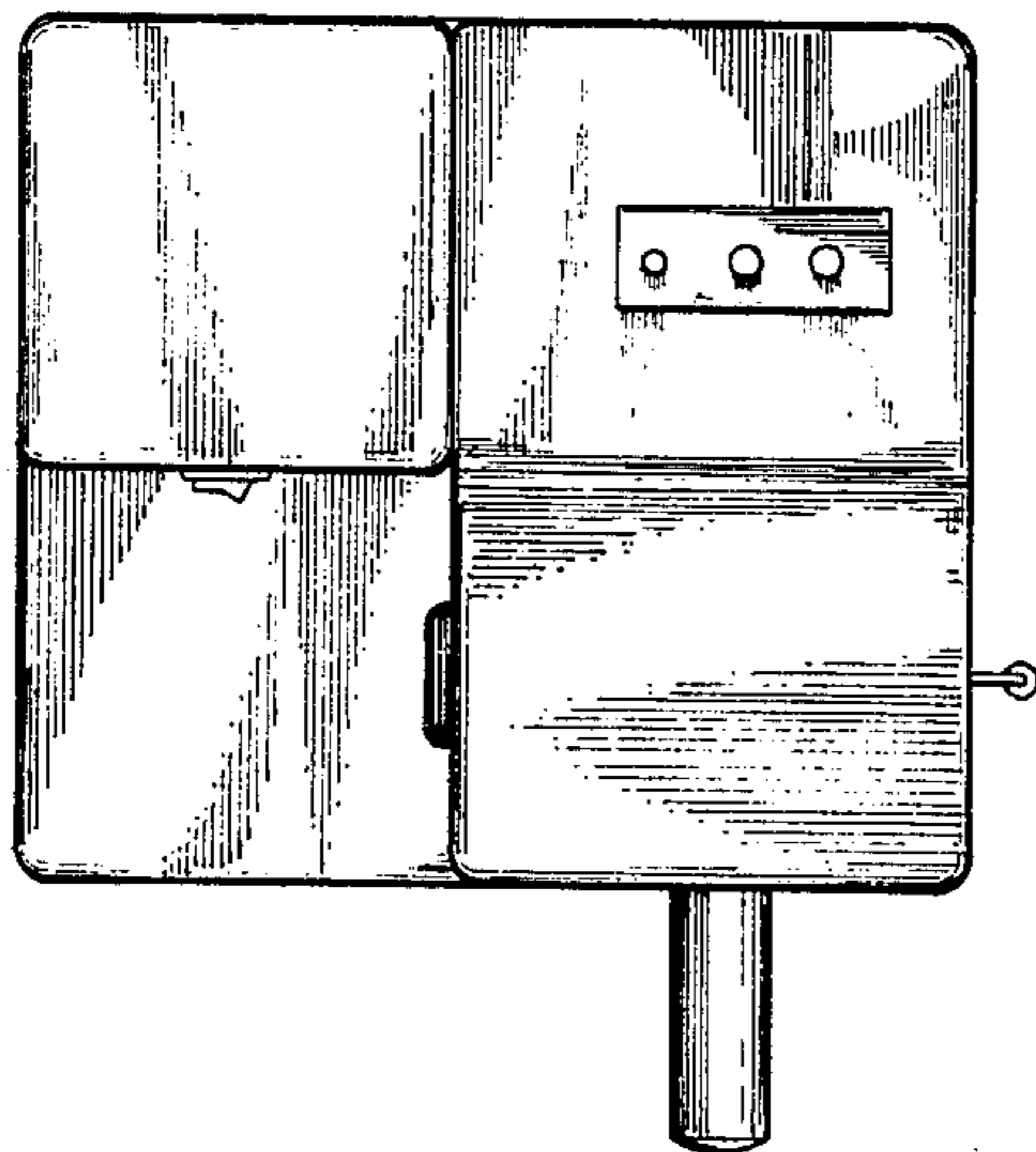


FIG. 4

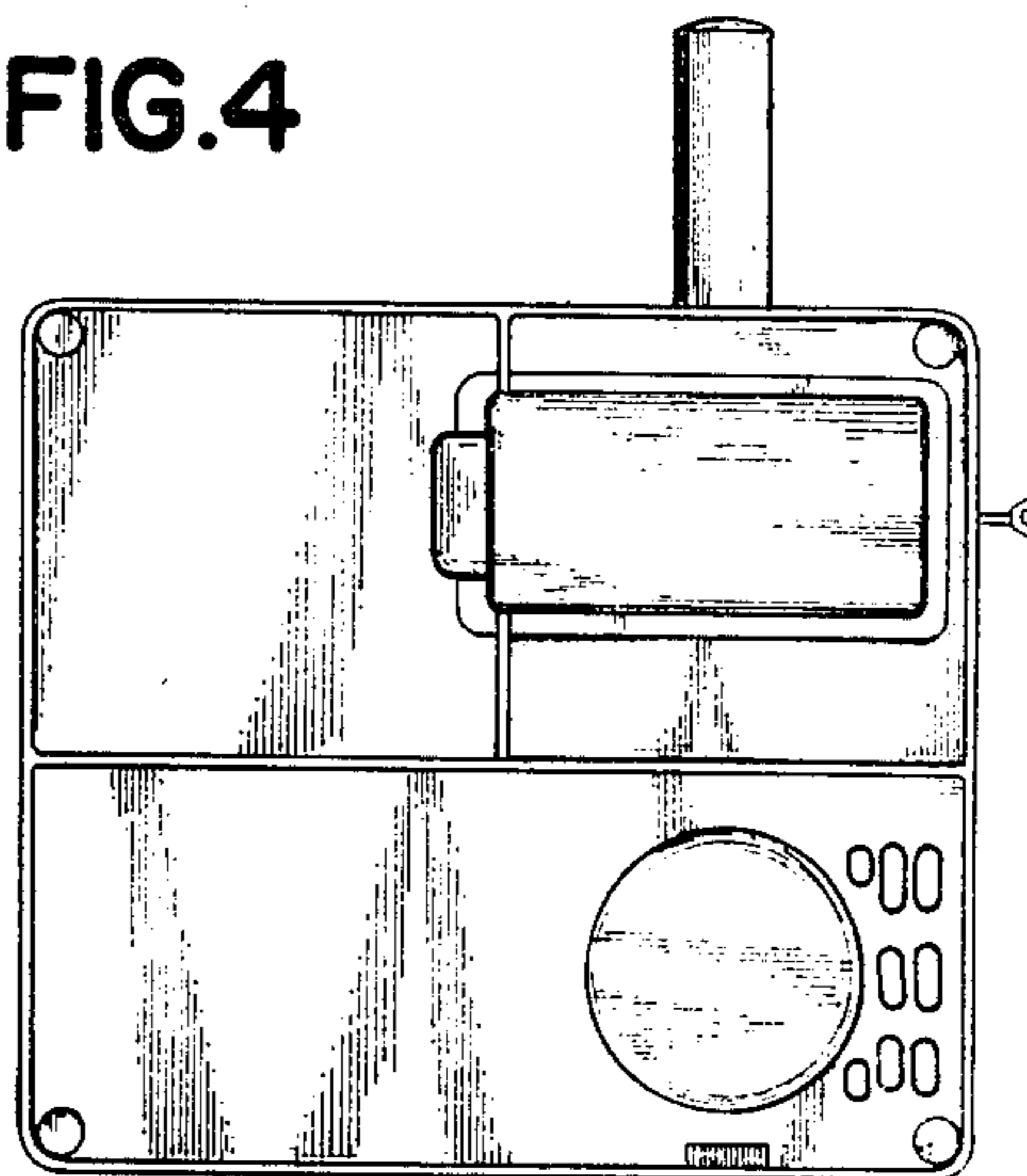
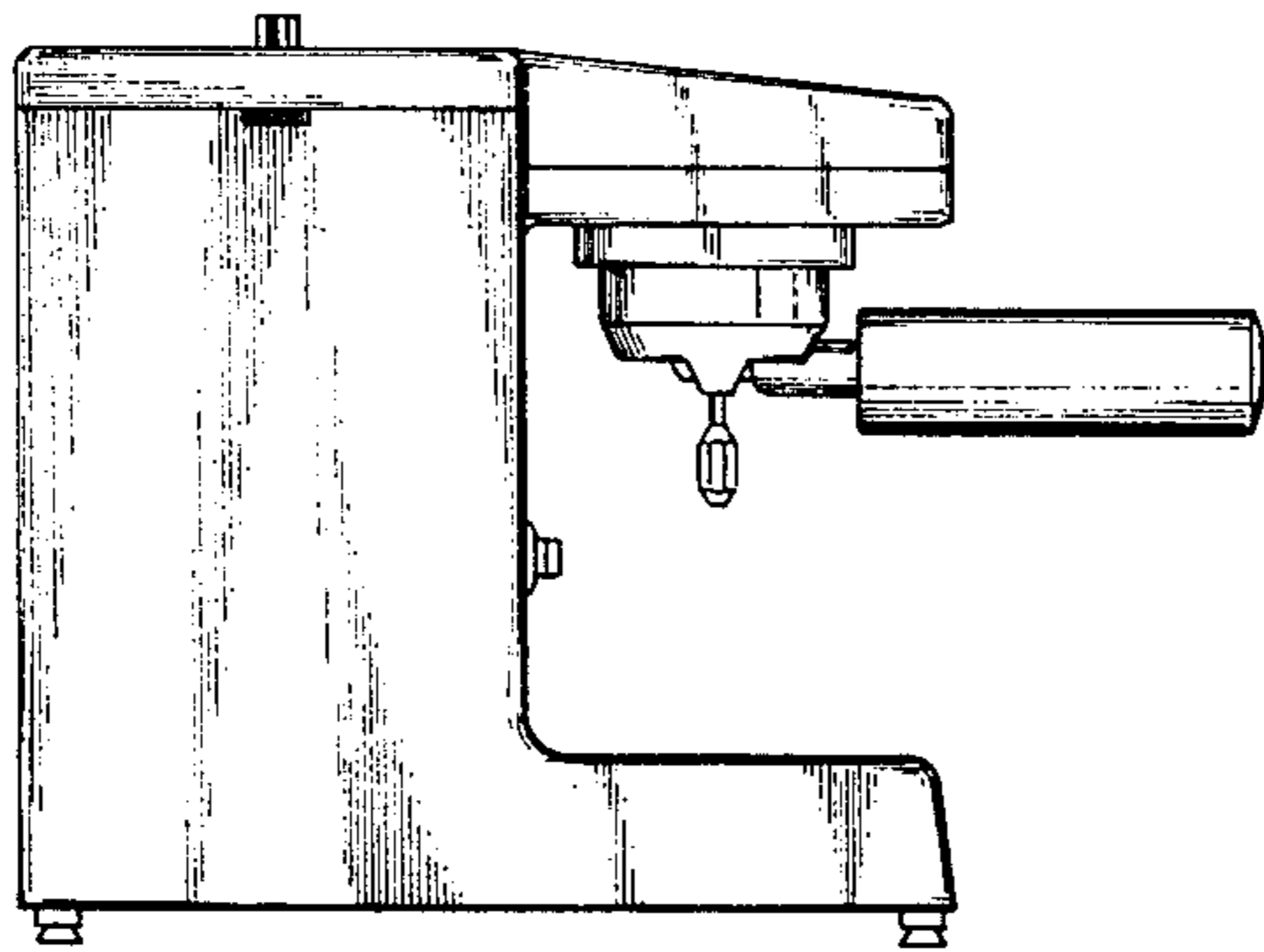


FIG. 5



7 FIG. 6

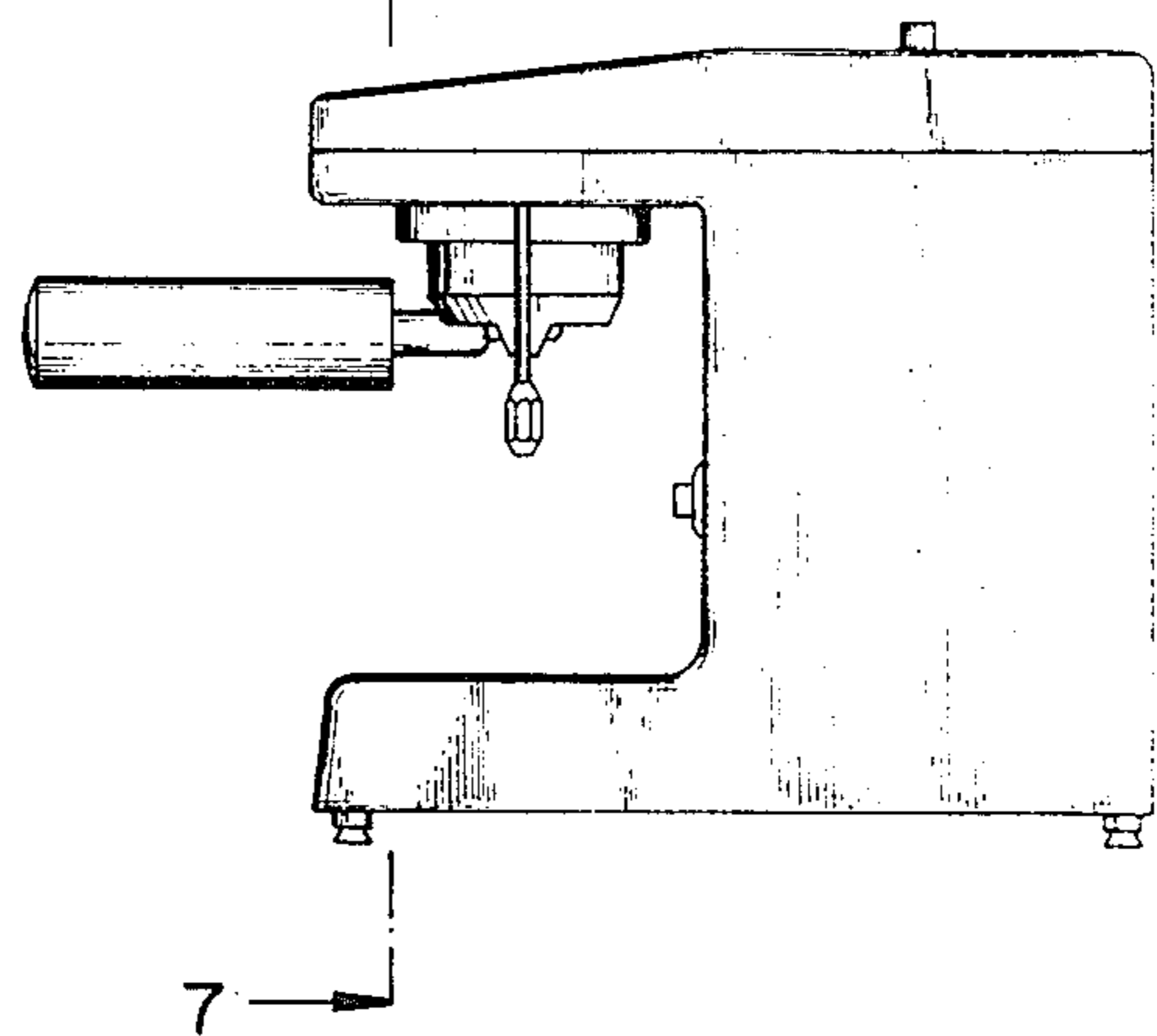


FIG. 7

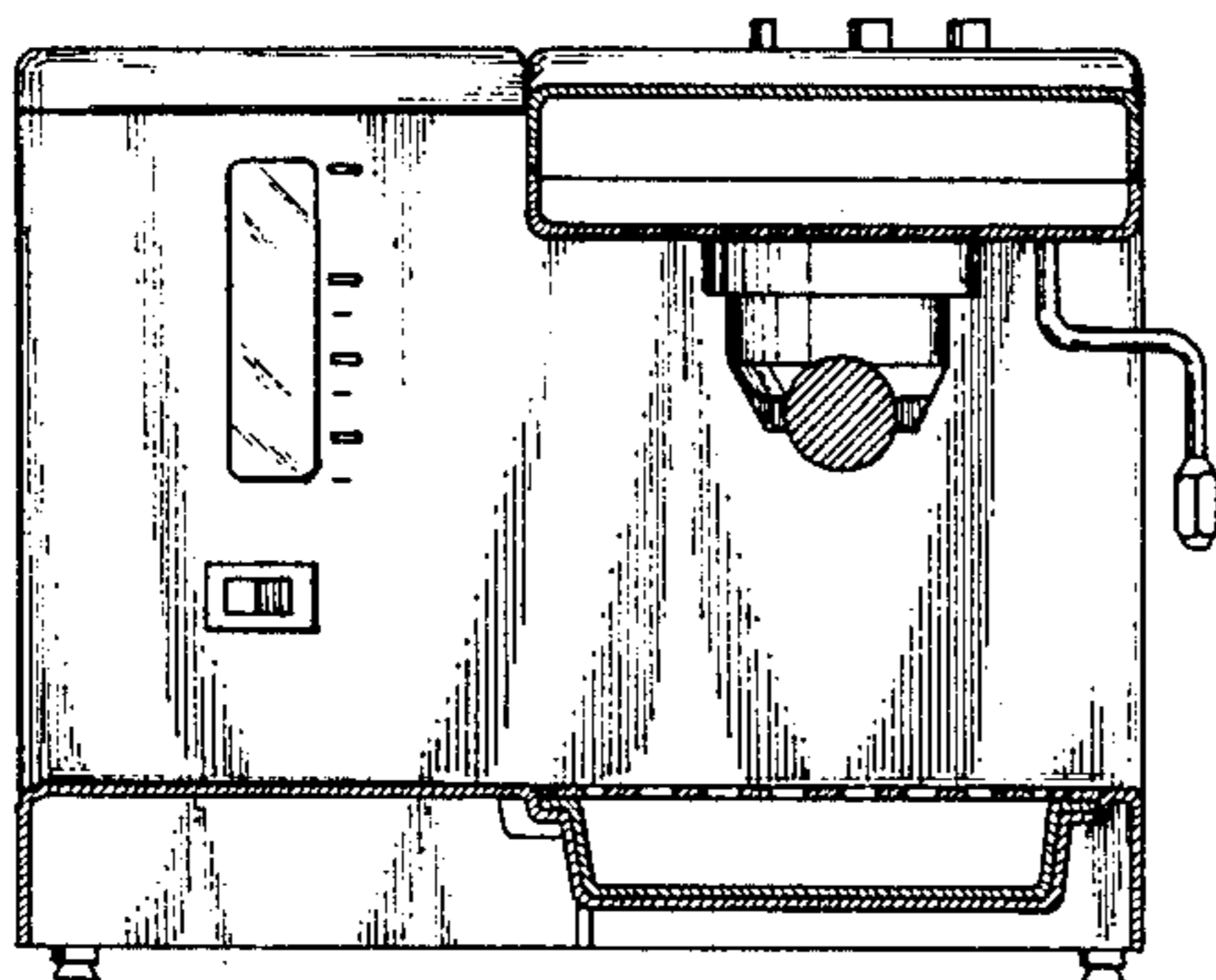


FIG. 8

