

[54] **CRAB AND CRAWFISH PEELER**

[76] **Inventor: Dale D. Smith, Sr., Rte. 2, Box 228,  
Jeanerette, La. 70544**

[\*\*] **Term: 14 Years**

[21] **Appl. No.: 814,037**

[22] **Filed: Dec. 27, 1985**

[52] **U.S. Cl. .... D7/106**

[58] **Field of Search ..... D7/106, 99; 68/241,  
68/244, 248, 253 R; 17/73**

[56] **References Cited**

**U.S. PATENT DOCUMENTS**

D. 178,927 10/1956 Meli ..... D7/106 X  
1,585,299 5/1926 McLean et al. .... D7/99 X

*Primary Examiner*—Bernard Ansher  
*Assistant Examiner*—Terry Pfeffer  
*Attorney, Agent, or Firm*—Terry M. Gernstein

[57] **CLAIM**

The ornamental design for a crab and crawfish peeler,  
as shown and described.

**DESCRIPTION**

FIG. 1 is a side isometric view of a crab and crawfish  
peeler showing my new design;  
FIG. 2 is a top plan view thereof;  
FIG. 3 is a front elevational view thereof; and  
FIG. 4 is a left side elevational view thereof.

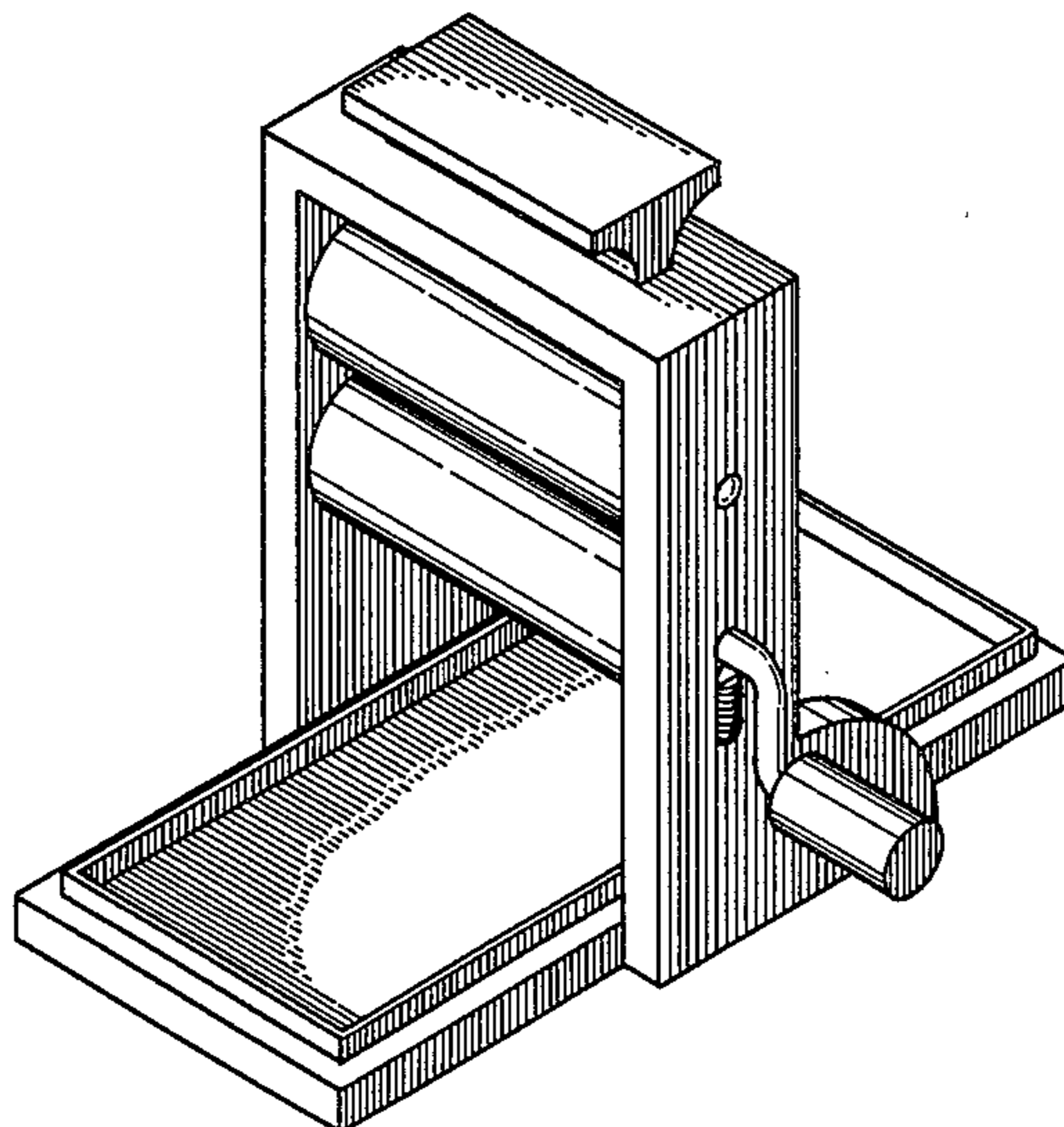


Fig. 1

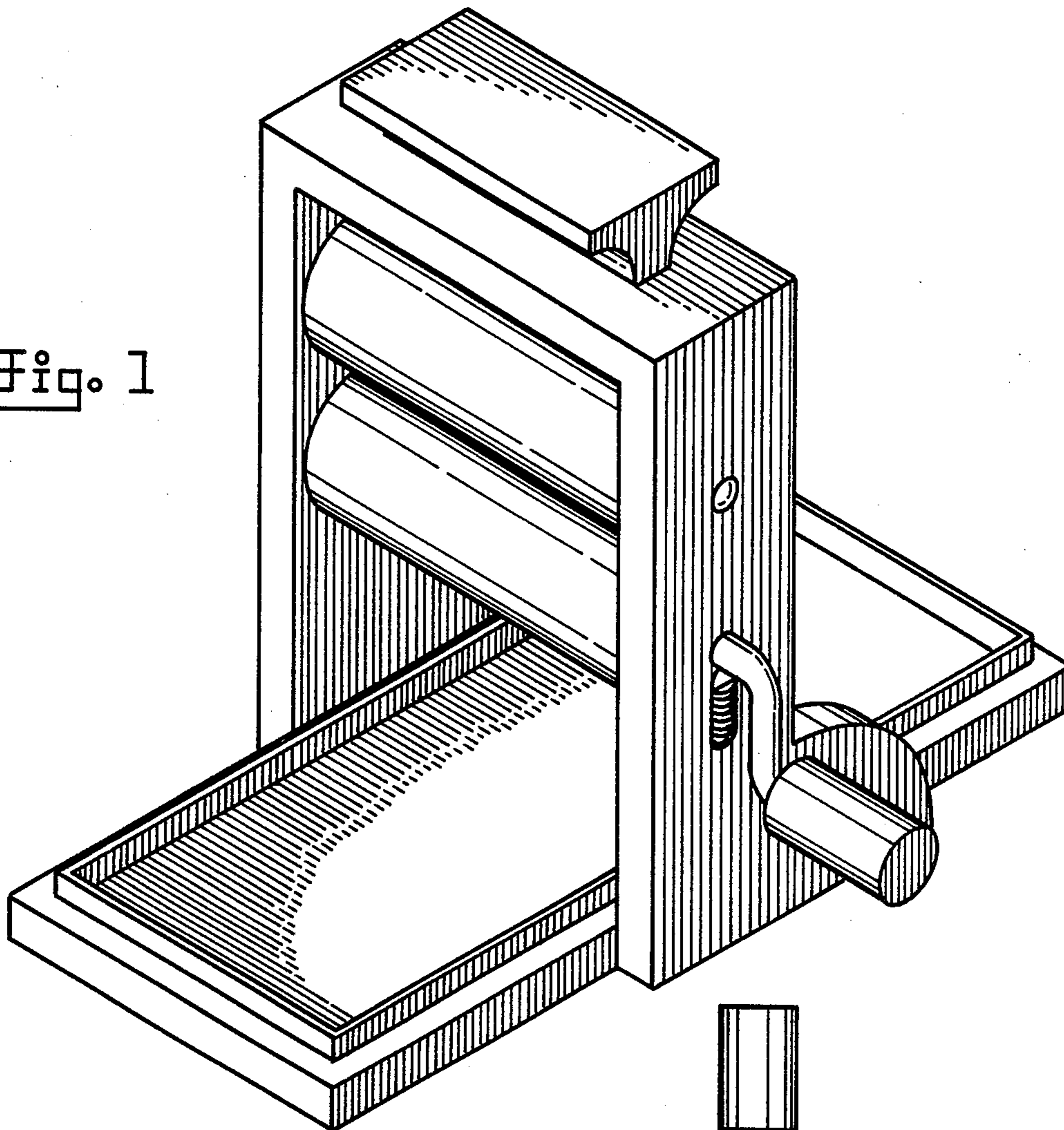
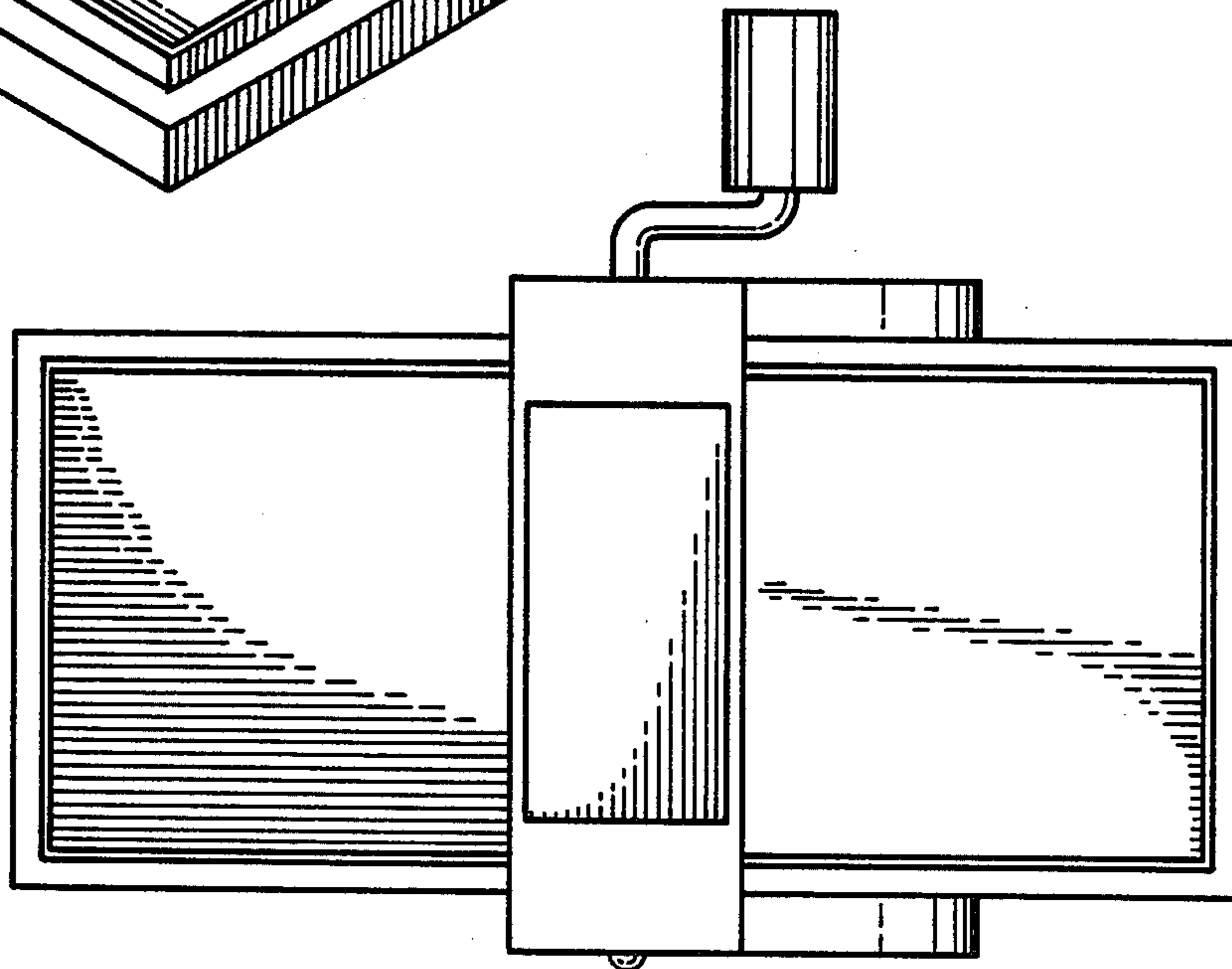


Fig. 2



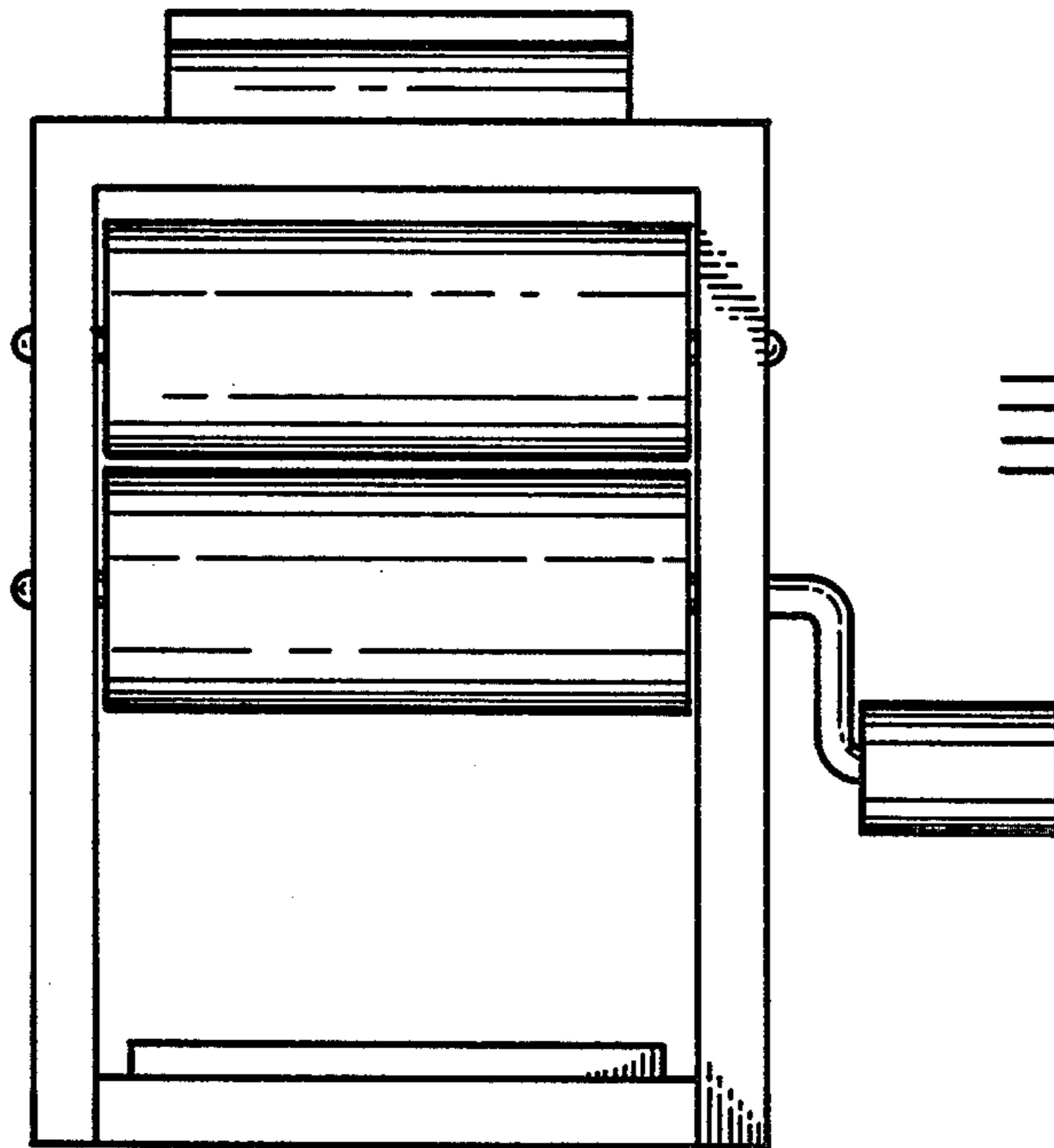


Fig. 3

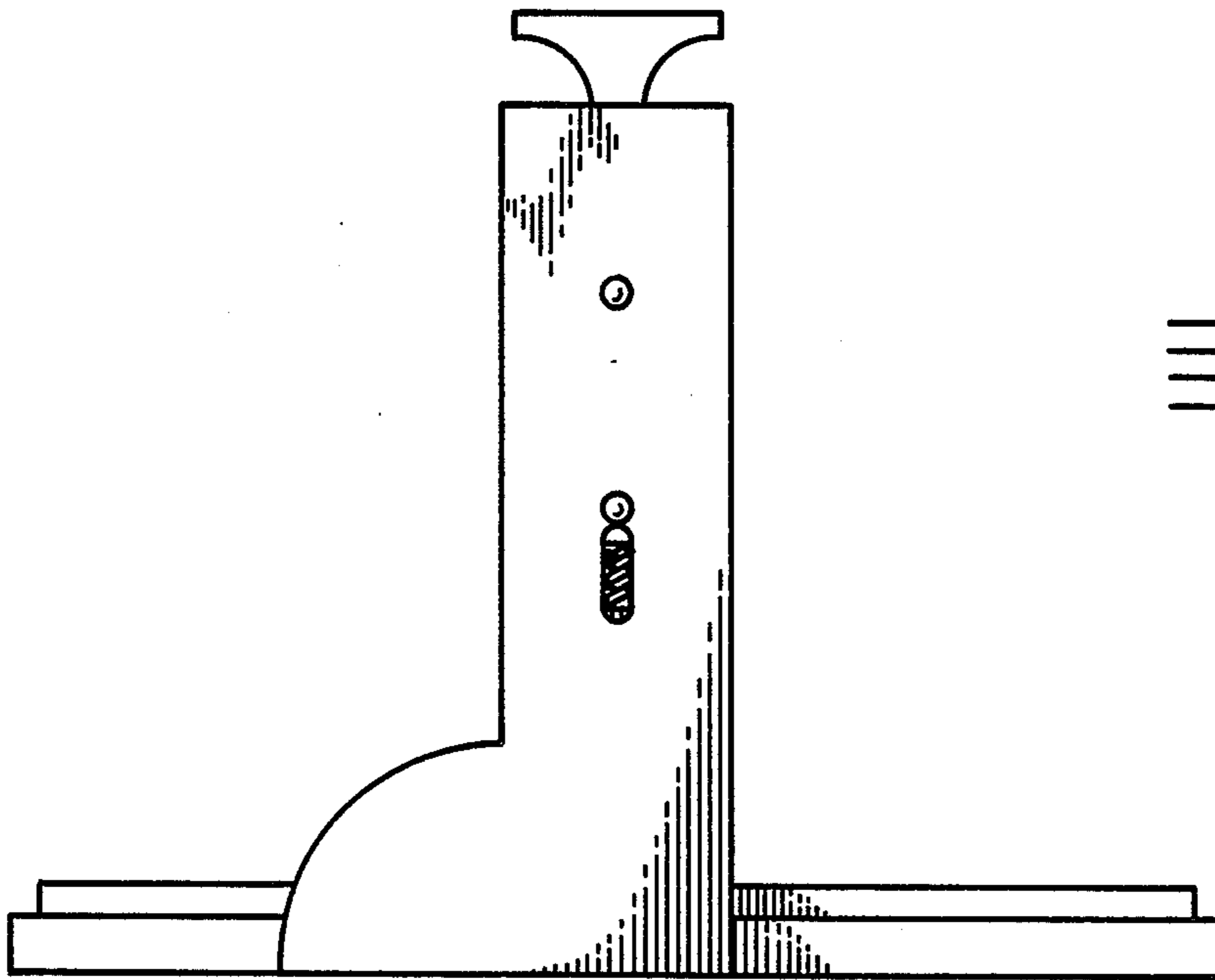


Fig. 4