

[54] **COMBINED ARTICLE STAND AND  
 ADVERTISING CARD HOLDER**  
 [76] Inventor: **Arlene Kyler, 3445 Park Ave.,  
 Oceanside, N.Y. 11572**  
 [\*\*] Term: **14 Years**  
 [21] Appl. No.: **120,009**  
 [22] Filed: **Nov. 13, 1987**

429,893	6/1890	Dahlstrom	211/77
929,714	8/1909	Schligel	40/493
1,701,651	2/1929	Zizka	D6/459 X
2,000,419	5/1935	Sarber	40/19
2,353,678	7/1944	Lockwood	222/447
2,754,166	7/1956	Ohm	211/78
3,331,515	7/1967	Lange	211/77
3,711,975	1/1973	Downing	40/10 R
3,983,649	10/1976	Ellis et al.	40/124.2
4,019,269	4/1977	Vix	40/19
4,244,512	1/1981	Wise	40/10 D
4,432,151	2/1984	Morris	40/10 D

**Related U.S. Application Data**

[62] Division of Ser. No. 757,077, Jul. 19, 1985.  
 [52] U.S. Cl. .... **D7/52**  
 [58] Field of Search ..... **D6/470, 466, 455, 461;  
 D7/52, 54, 55, 57, 58; 40/124, 124.2, 124.4, 10  
 D; 211/13**

**FOREIGN PATENT DOCUMENTS**

593939	9/1925	France	211/77
496280	2/1937	United Kingdom	40/493

*Primary Examiner*—Carmen H. Vales  
*Attorney, Agent, or Firm*—Frishauf, Holtz, Goodman &  
 Woodward

[56] **References Cited**

**U.S. PATENT DOCUMENTS**

D. 39,376	6/1908	Berolzheimer	D6/455
D. 42,461	5/1912	Harden, Jr.	D6/470 X
D. 65,640	9/1924	Duff et al.	D6/455
D. 76,662	10/1928	Buchenau et al.	D6/455
D. 85,692	12/1931	Hamilton	D6/476 X
D. 86,238	2/1932	Kerckel	D6/457
D. 99,539	5/1936	Bodine et al.	D6/459
D. 175,470	8/1955	Kahn	D6/457
D. 176,004	11/1955	Brooks	D6/461 X
D. 176,103	11/1955	Bonistall	D7/58
D. 184,163	12/1958	Bloomfield	D7/52
D. 241,101	8/1976	Kapnek	D6/461
371,457	10/1887	Hersh	D6/455 X

[57] **CLAIM**

The ornamental design for a combined article holder and advertising card holder, as shown and described.

**DESCRIPTION**

FIG. 1 is a front elevational view of a combined condiment rack and card holder showing my new design, the rear view being a mirror image;  
 FIG. 2 is a top plan view thereof;  
 FIG. 3 is a bottom plan view thereof;  
 FIG. 4 is a right side elevational view thereof;  
 FIG. 5 is a left side elevational view thereof; and  
 FIG. 6 is a front elevational view thereof showing cards inserted therein.

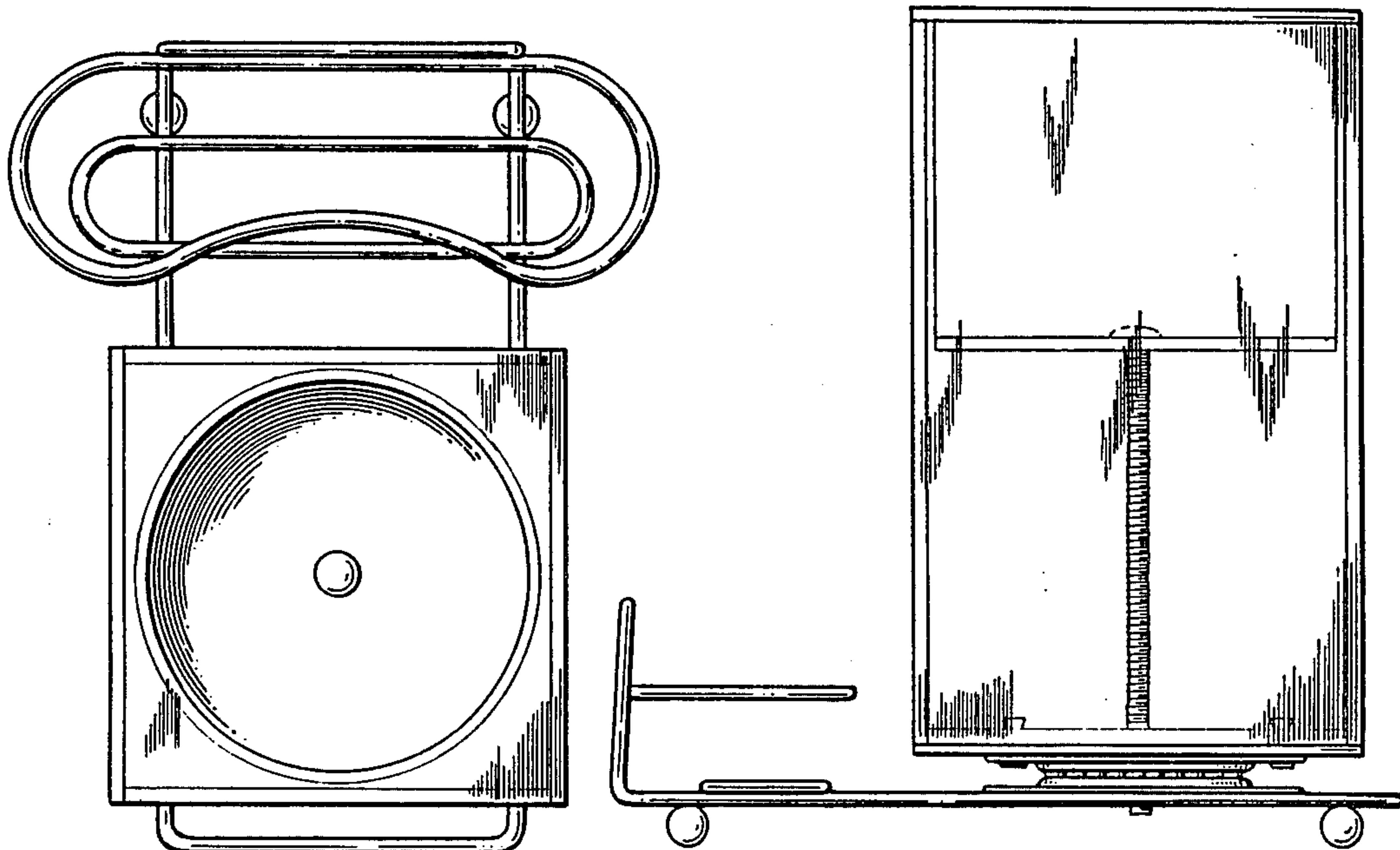


FIG. 2

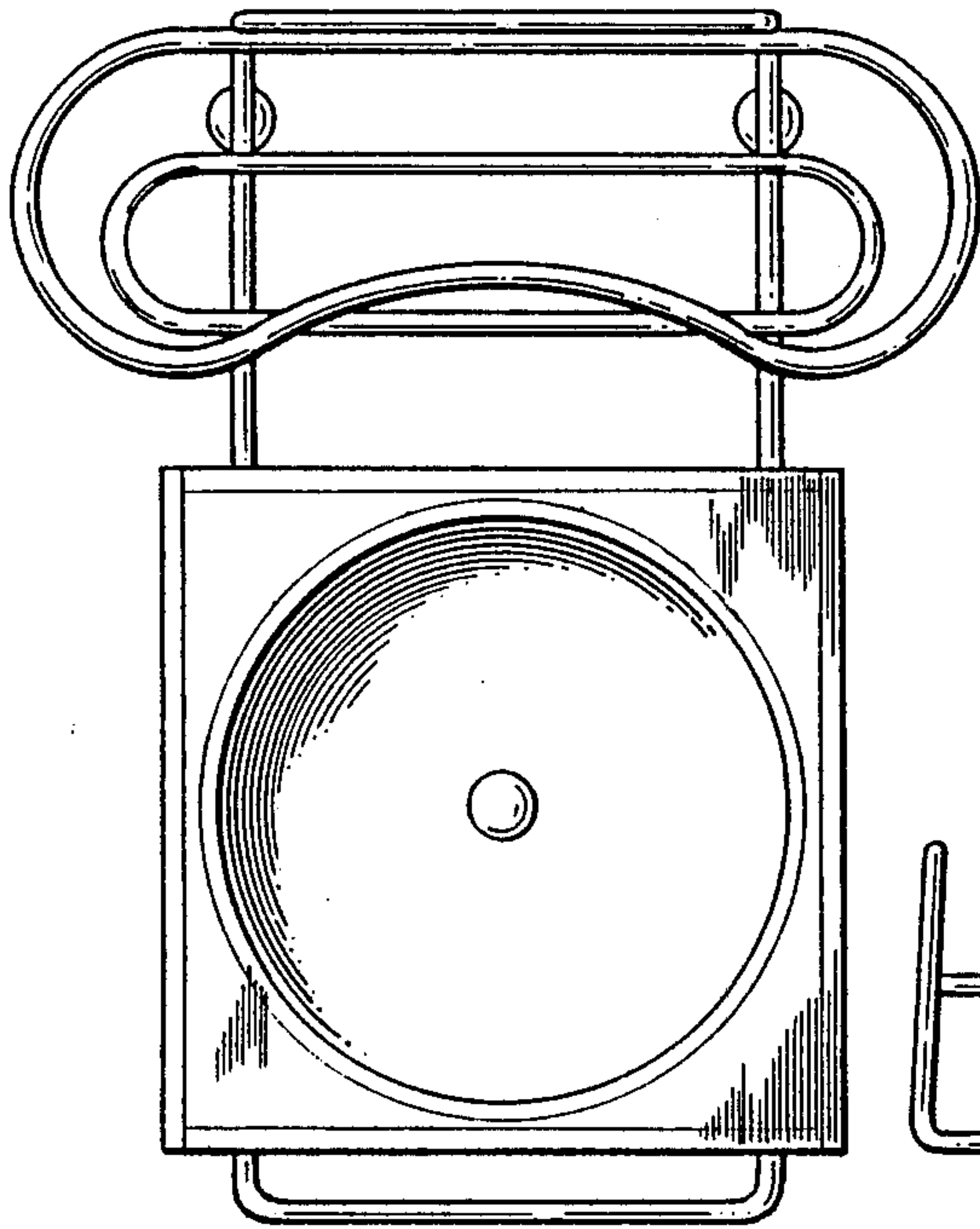


FIG. 1

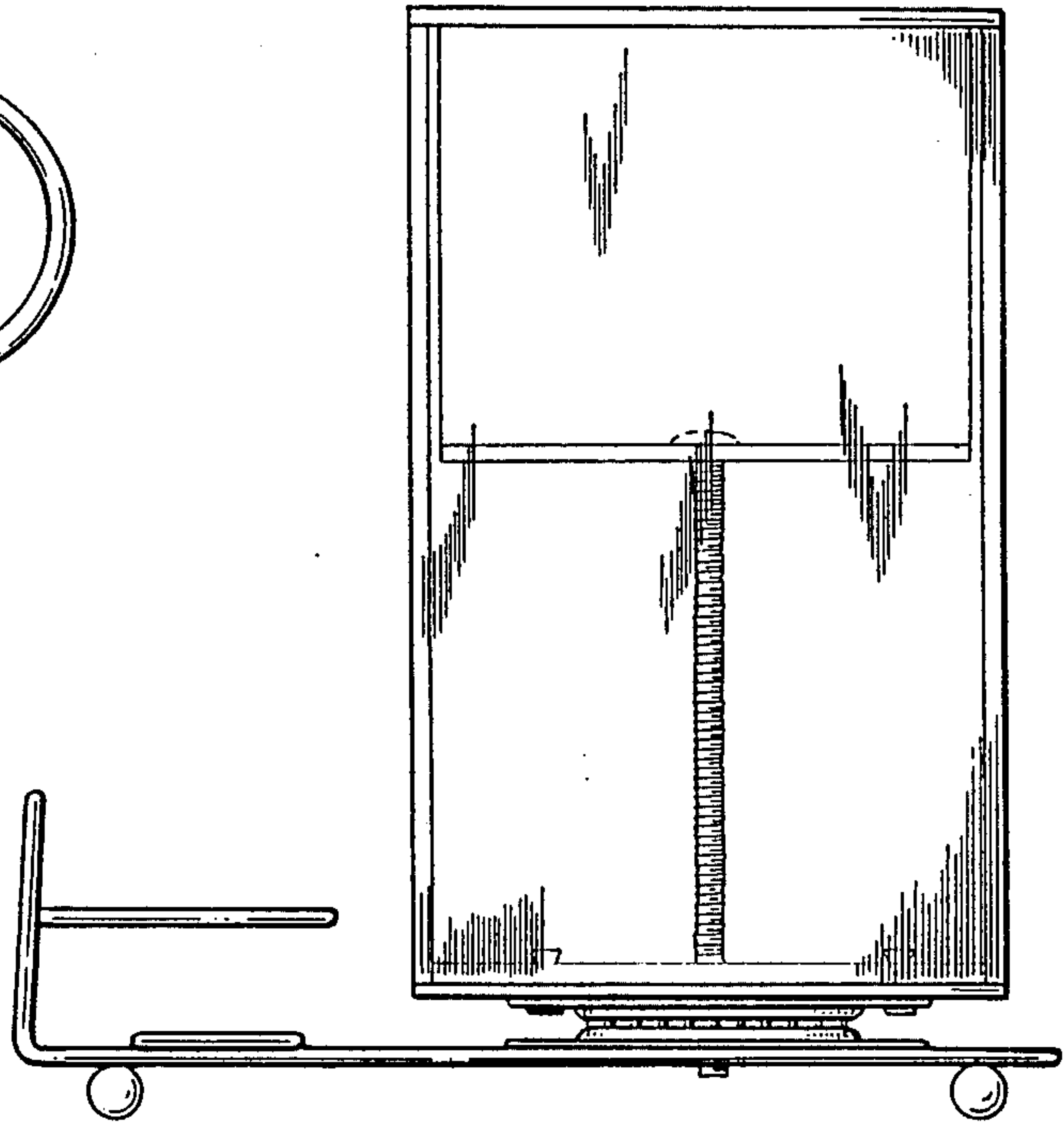


FIG. 4

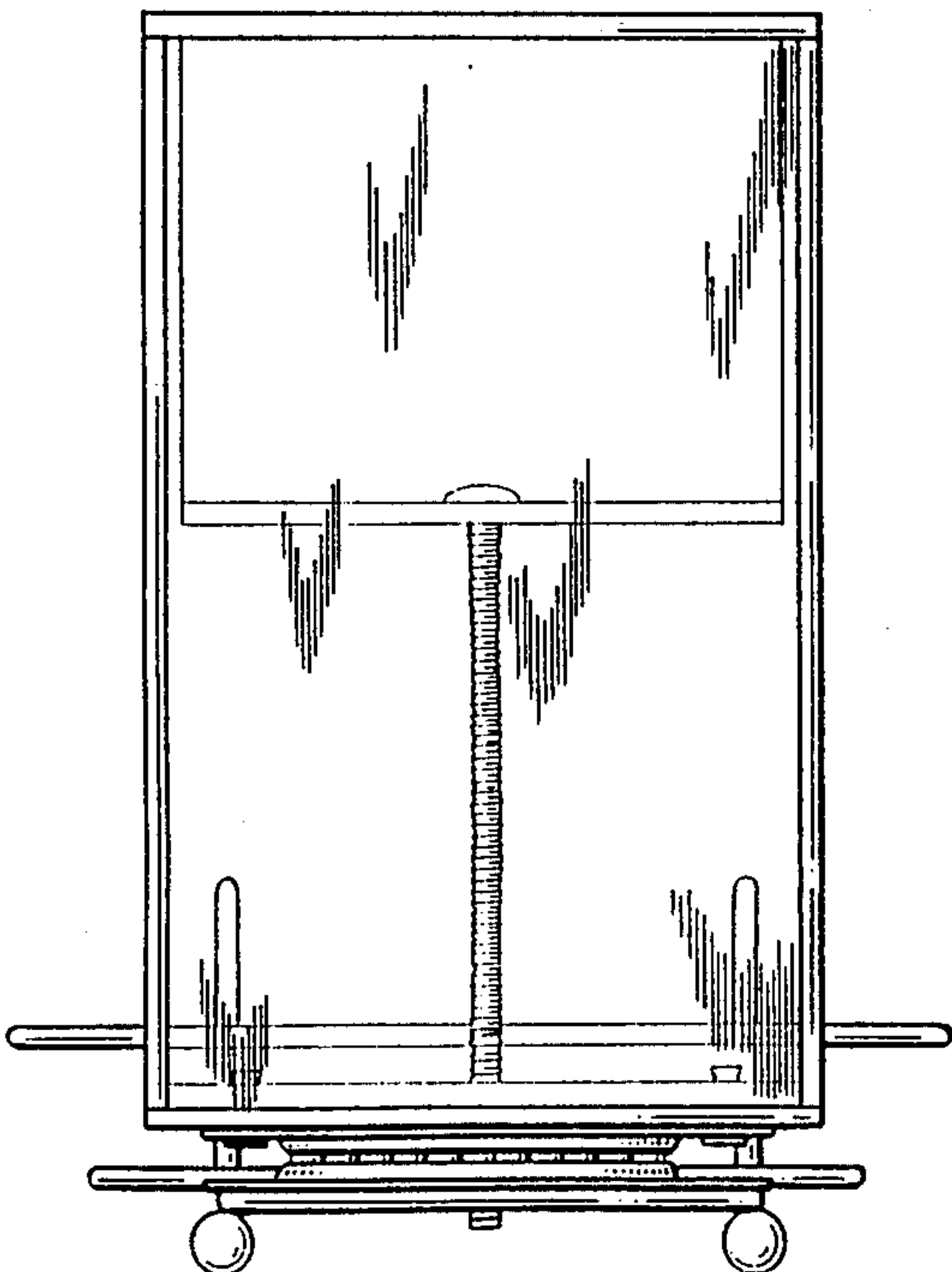
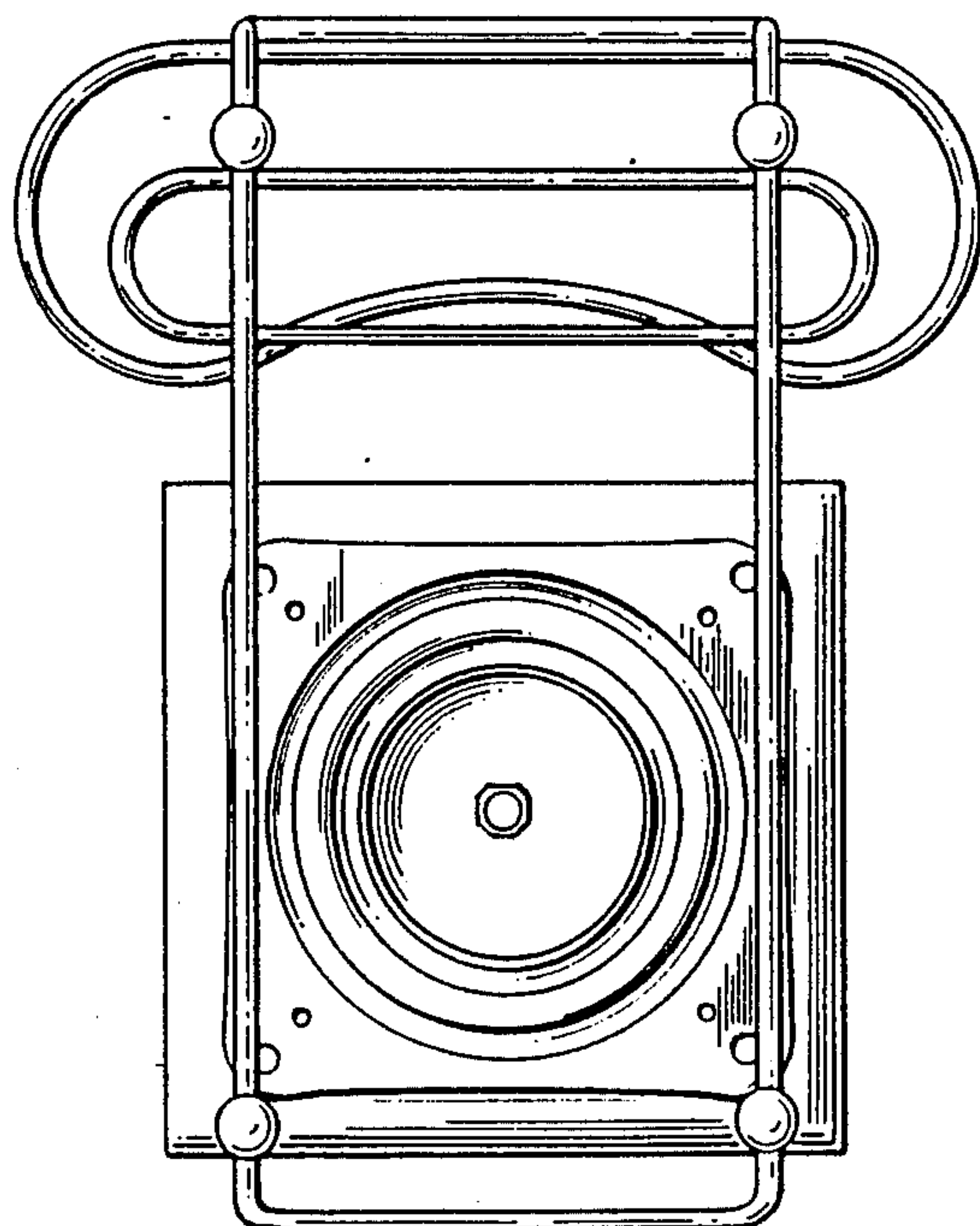


FIG. 3



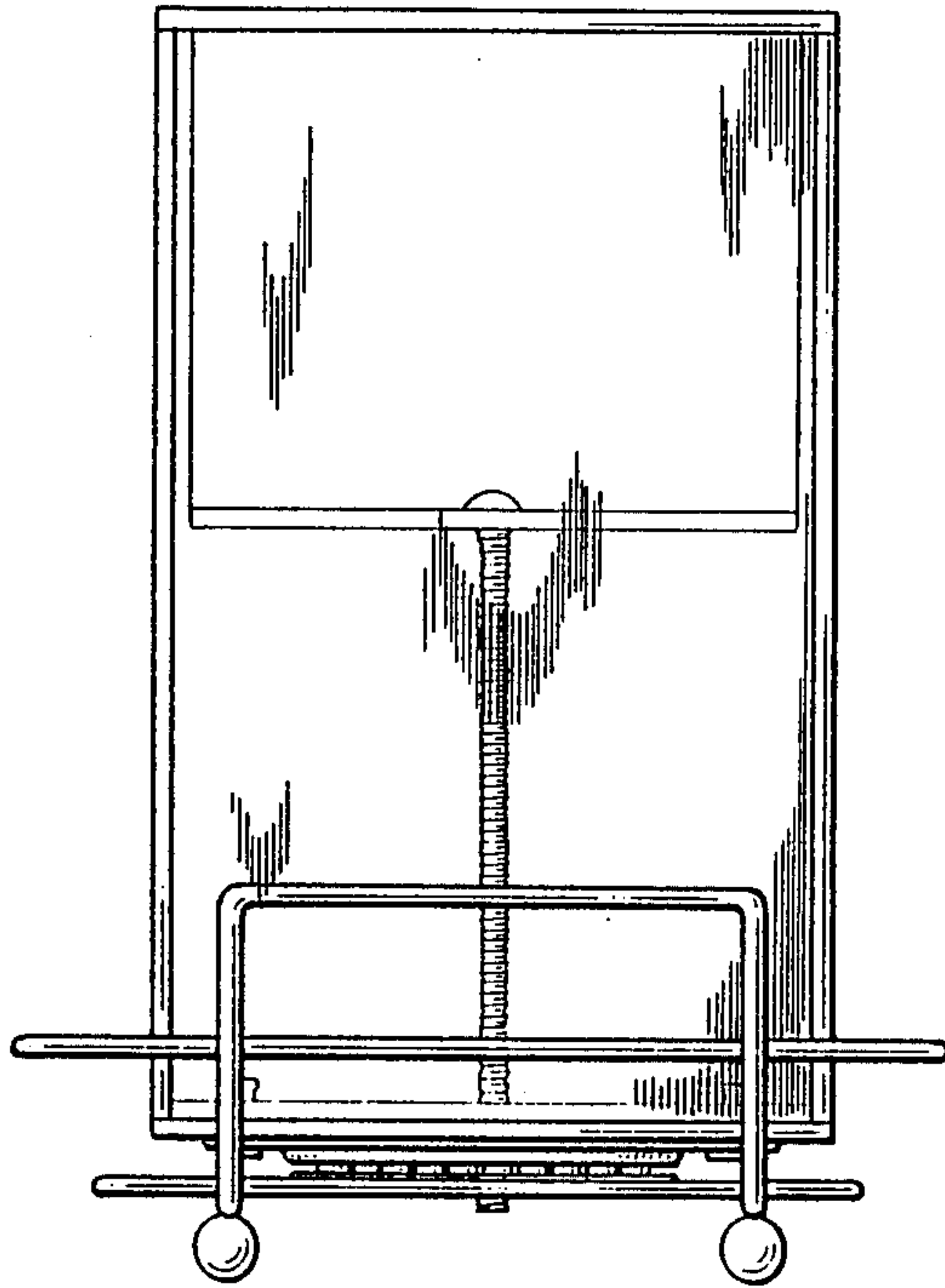


FIG. 5

FIG. 6

