

United States Patent [19]

Paphis

[11] Patent Number: **Des. 297,086**

[45] Date of Patent: **** Aug. 9, 1988**

[54] **DISPENSER UNIT FOR TOILETRIES OR THE LIKE**

3,955,715 5/1976 Topor 222/181
4,449,649 5/1984 Flannigan 222/181

[76] Inventor: **Konstantinos Paphis, 724 Macon Rd., Hampton, Va. 23666**

FOREIGN PATENT DOCUMENTS

2164633 3/1986 United Kingdom 222/181

[**] Term: **14 Years**

Primary Examiner—B. J. Bullock
Attorney, Agent, or Firm—W. C. Tupman

[21] Appl. No.: **806,932**

[57] CLAIM

[22] Filed: **Nov. 27, 1985**

The ornamental design for a dispenser unit for toiletries or the like, substantially as shown and described.

[52] U.S. Cl. **D6/544**

[58] Field of Search **D6/542, 544, 545;**
221/129, 132, 135, 156, 159, 173, 180, 181, 185

DESCRIPTION

[56] References Cited

U.S. PATENT DOCUMENTS

D. 163,070 4/1951 Sawchuk D6/545
D. 184,252 1/1959 Darr D6/545
D. 199,663 12/1964 Kuehner D6/545
D. 228,847 10/1973 Hilgendorff D6/544
3,349,967 10/1967 Schneller 222/132

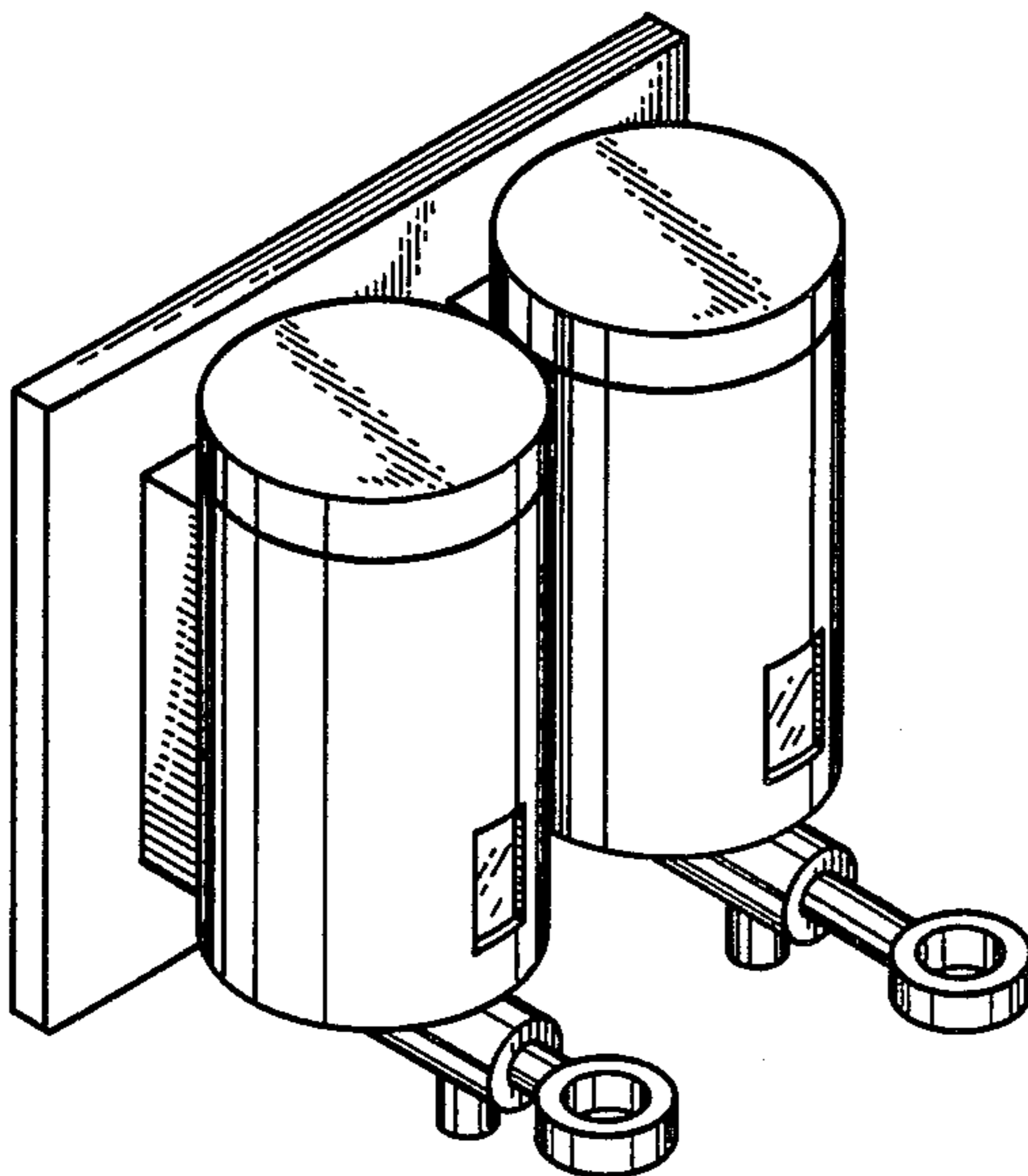
FIG. 1 is a front isometric view of a dispenser unit for toiletries or the like showing my new design;

FIG. 2 is a left side view thereof, the side opposite being a mirror image;

FIG. 3 is a top view thereof;

FIG. 4 is a bottom view thereof;

FIG. 5 is a rear view thereof.



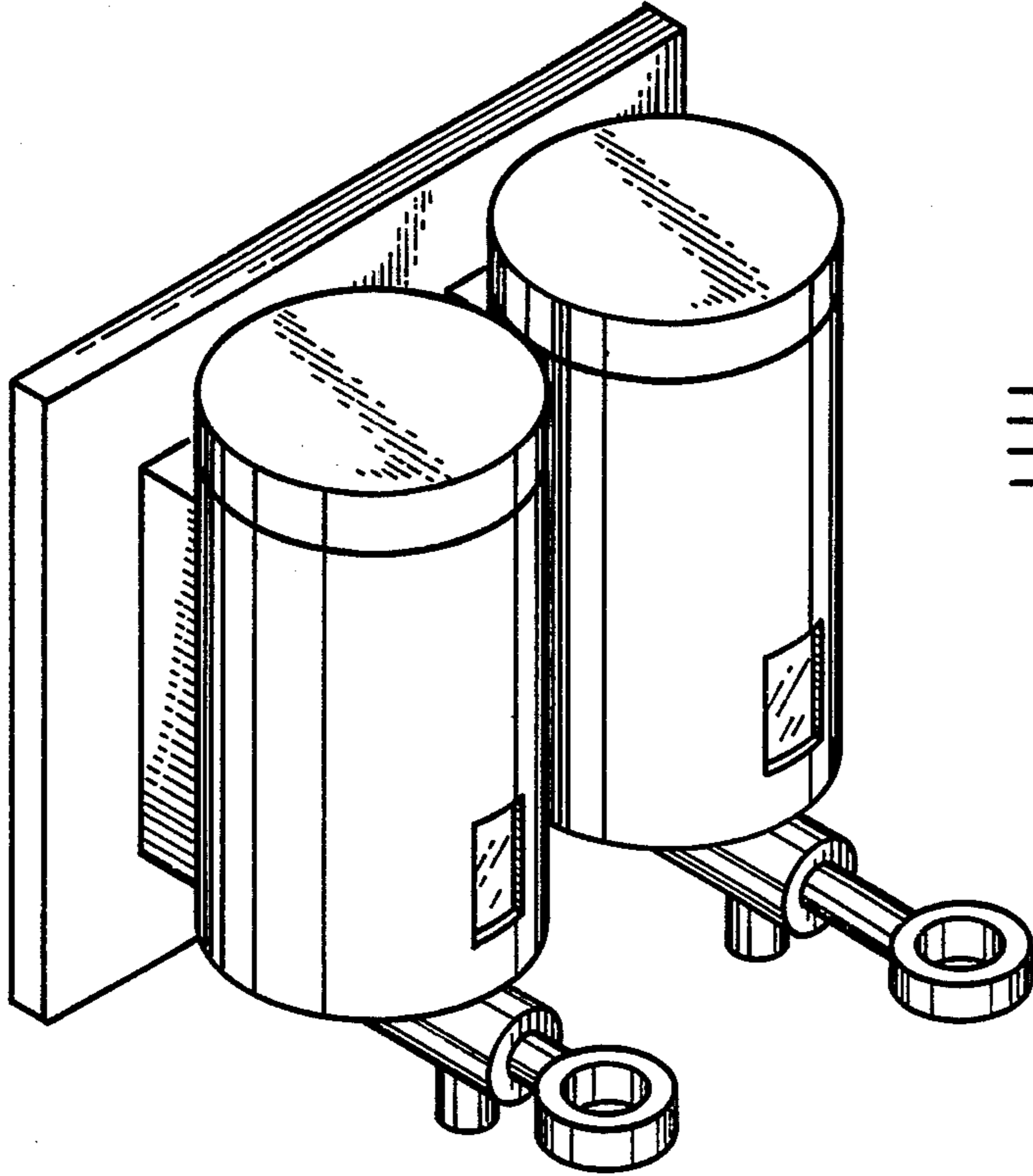


Fig. 1

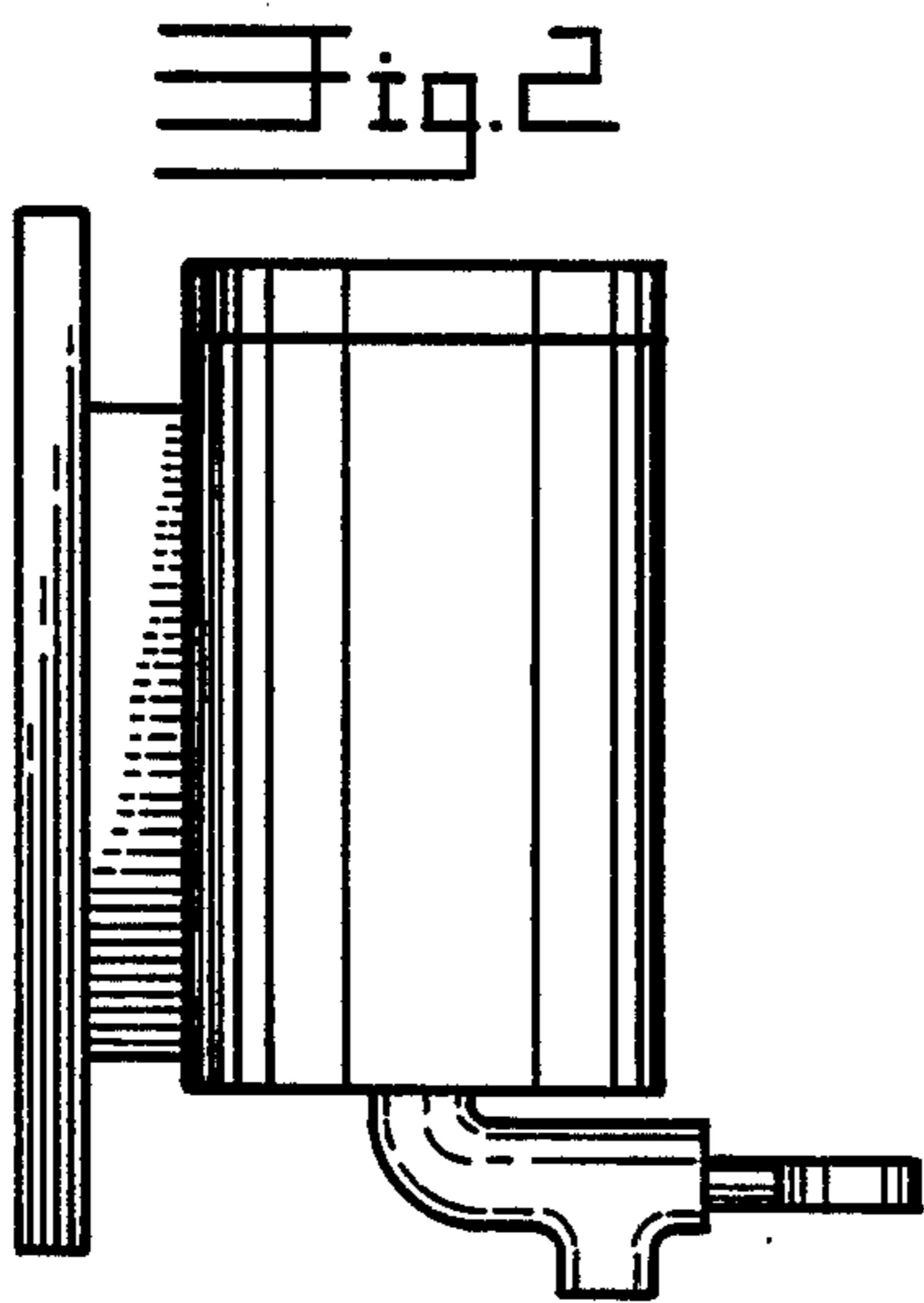


Fig. 2

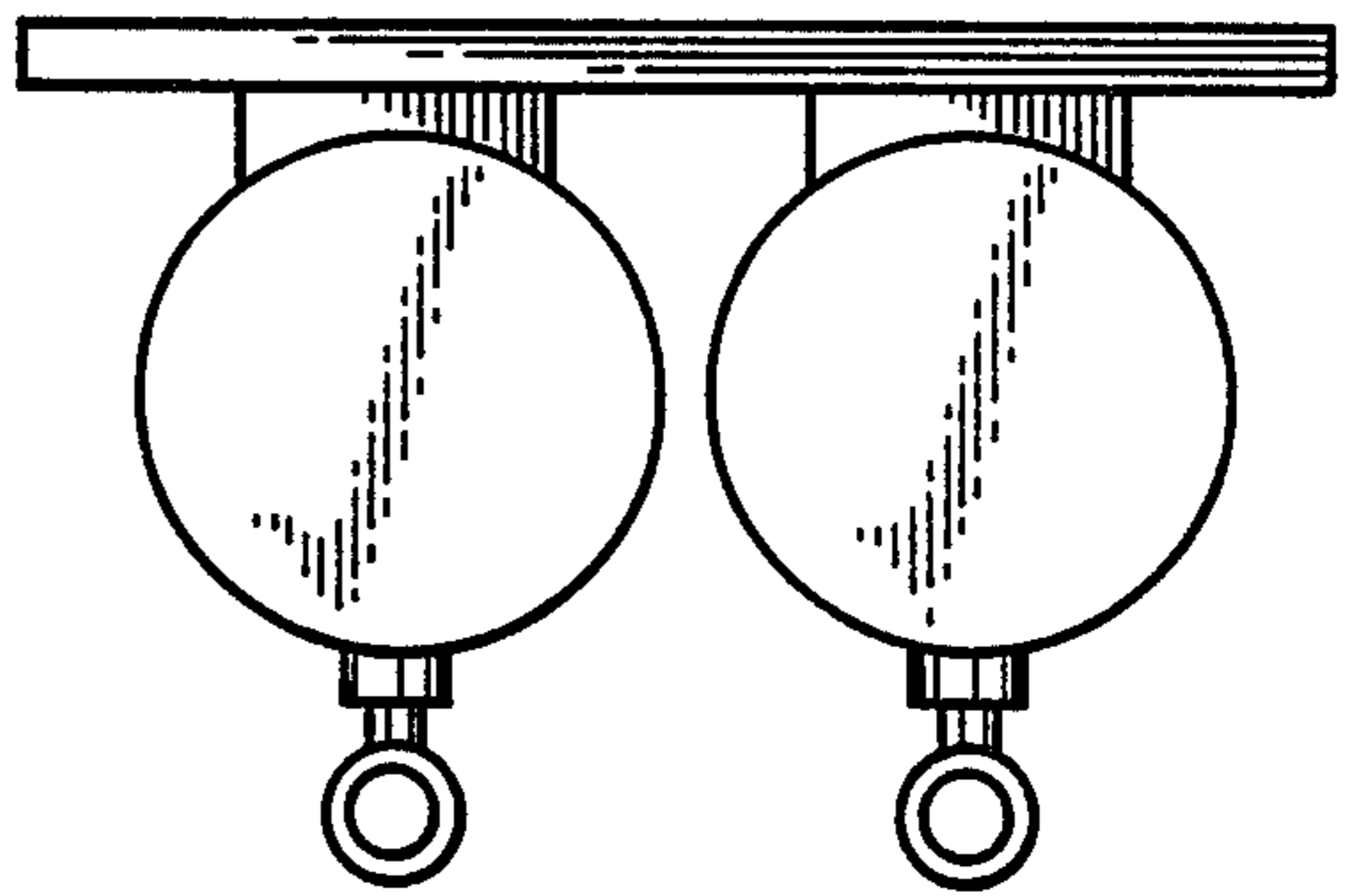


Fig. 3

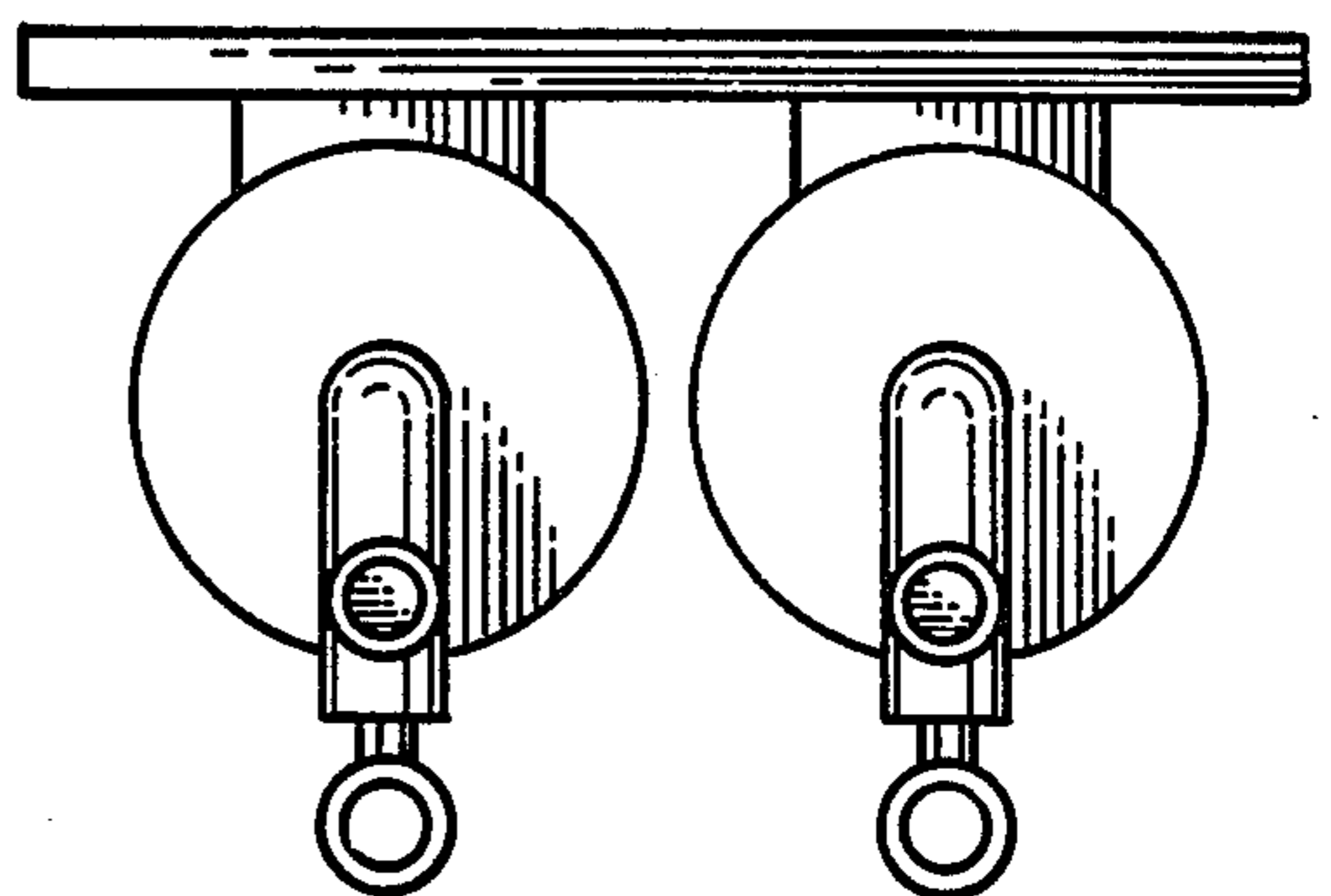


Fig. 4

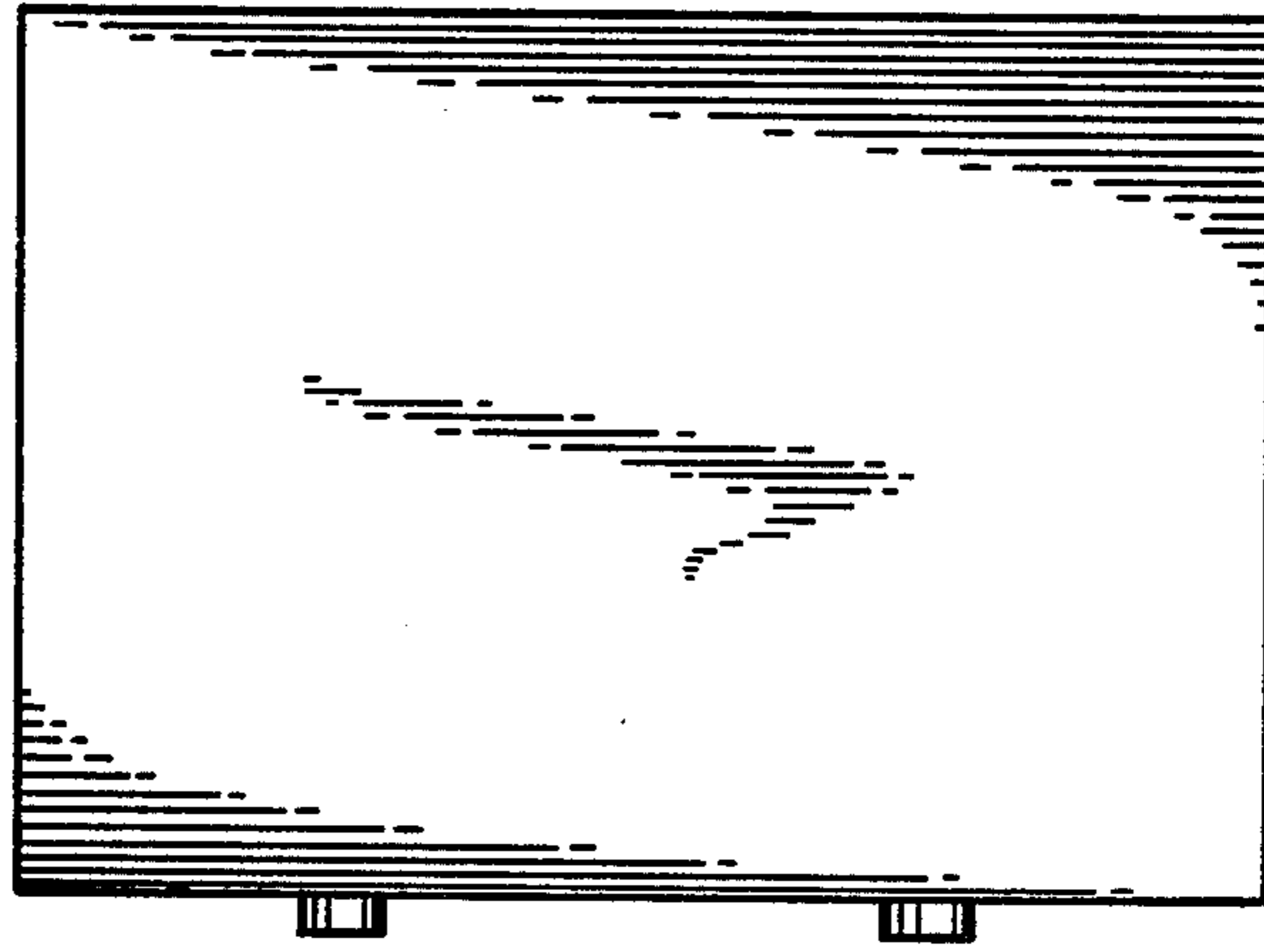


Fig. 5