

[54] SHELF UNIT

[76] Inventor: Douglas C. Gieber, 704 E. 8th St.,  
Wamego, Kans. 66547

[\*\*] Term: 14 Years

[21] Appl. No.: 725,774

[22] Filed: Apr. 22, 1985

[52] U.S. Cl. .... D6/479

[58] Field of Search ..... D6/477, 478, 479, 398,  
D6/397, 400; 211/13; 108/92

[56] References Cited

U.S. PATENT DOCUMENTS

- D. 237,930 12/1975 Demmer ..... D6/400
- D. 237,931 12/1975 Brandenfels ..... D6/477 X

- D. 244,889 7/1977 Neuschwander ..... D6/477 X
- D. 273,726 5/1984 Valenzuela ..... D6/477
- D. 278,294 4/1985 Dau ..... D6/477
- D. 279,632 7/1985 Marks ..... D6/477

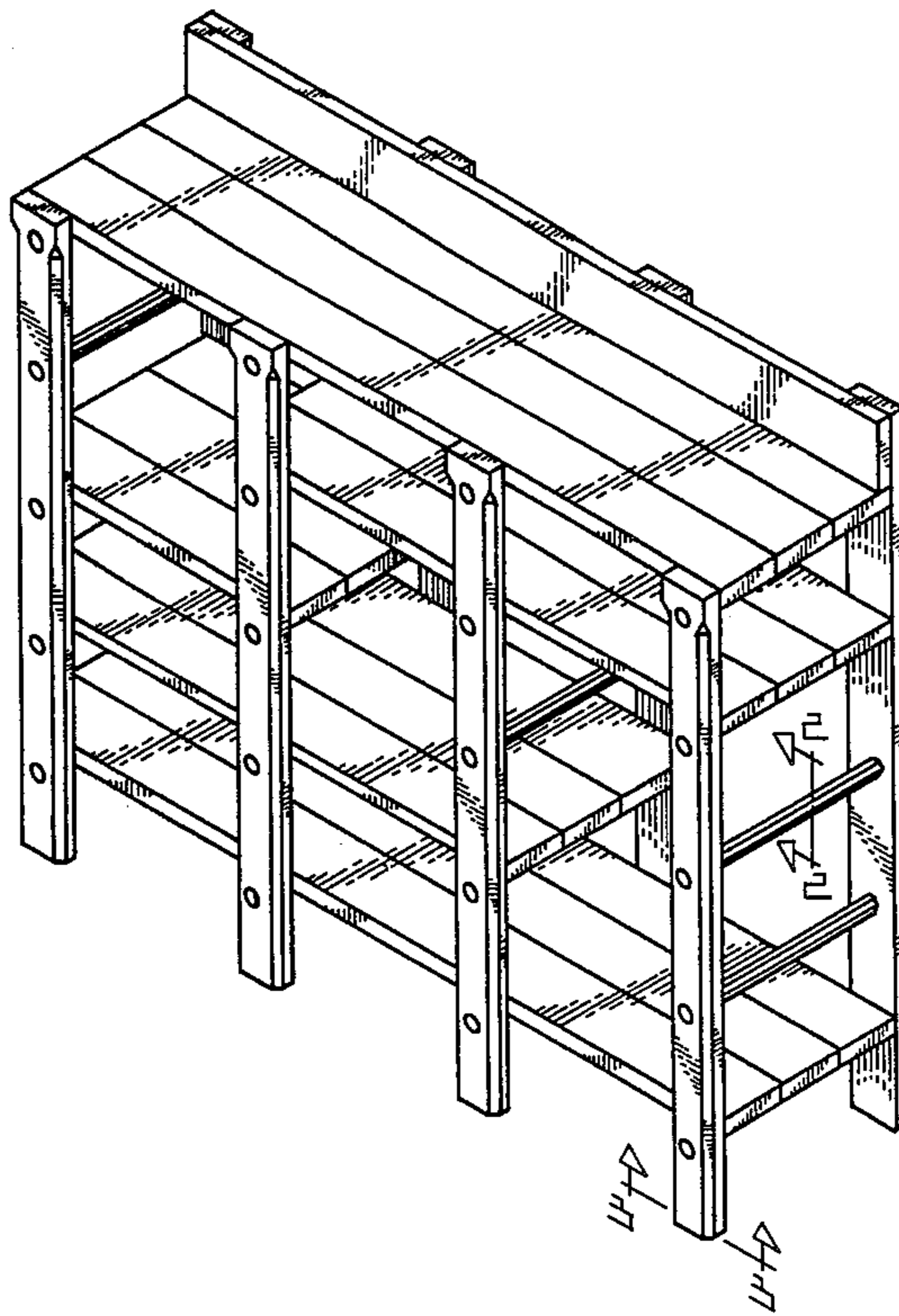
Primary Examiner—Carmen H. Vales  
Attorney, Agent, or Firm—Terry M. Gernstein

[57] CLAIM

The ornamental design for a shelf unit, as shown and described.

DESCRIPTION

FIG. 1 is a front perspective view of a shelf unit showing my new design;  
 FIG. 2 is a cross sectional view of a support rod;  
 FIG. 3 is a cross sectional view of a support leg;  
 FIG. 4 is a rear elevational view thereof; and,  
 FIG. 5 is a right side elevational view thereof.



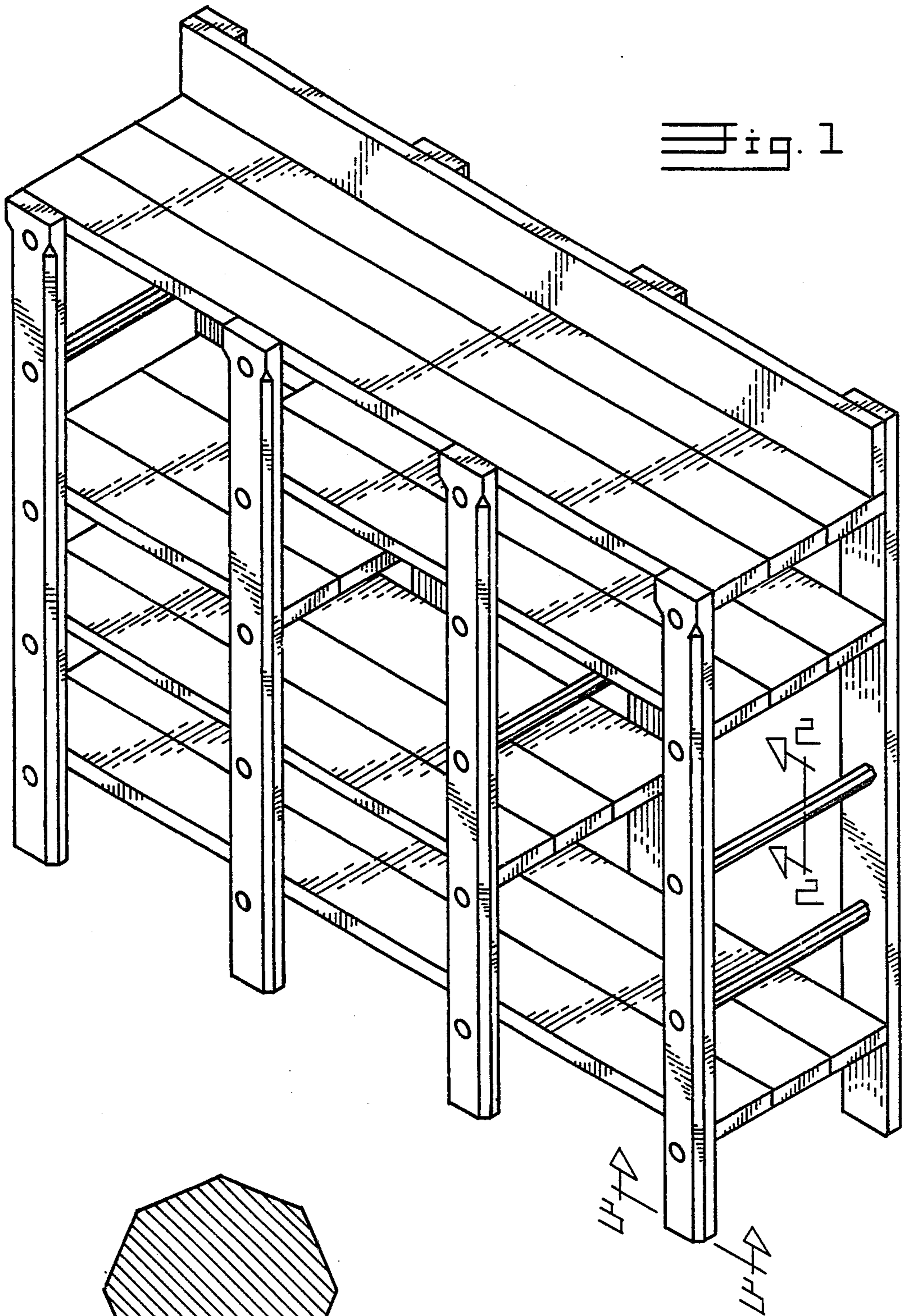


Fig. 1

Fig. 2

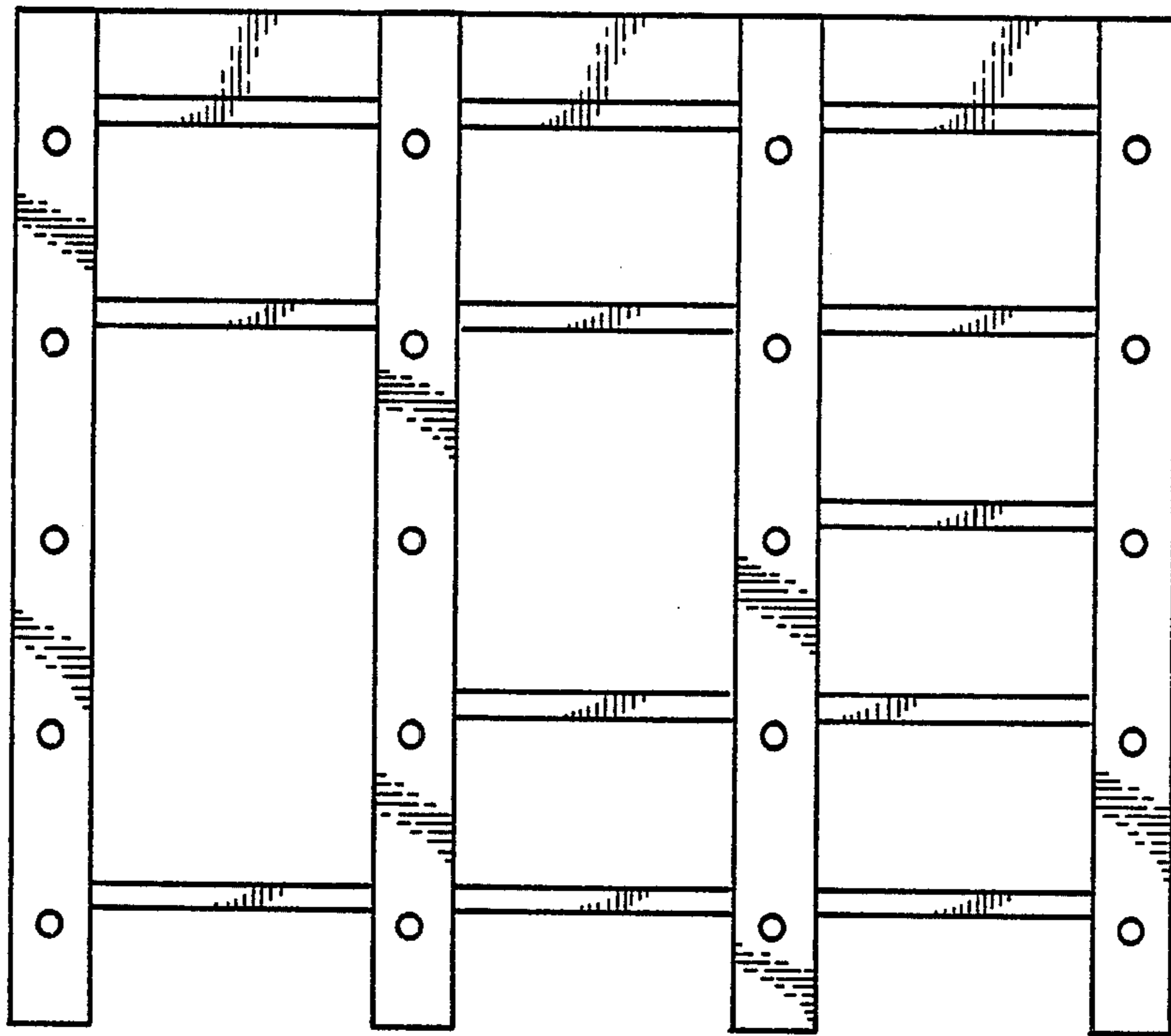


Fig. 4

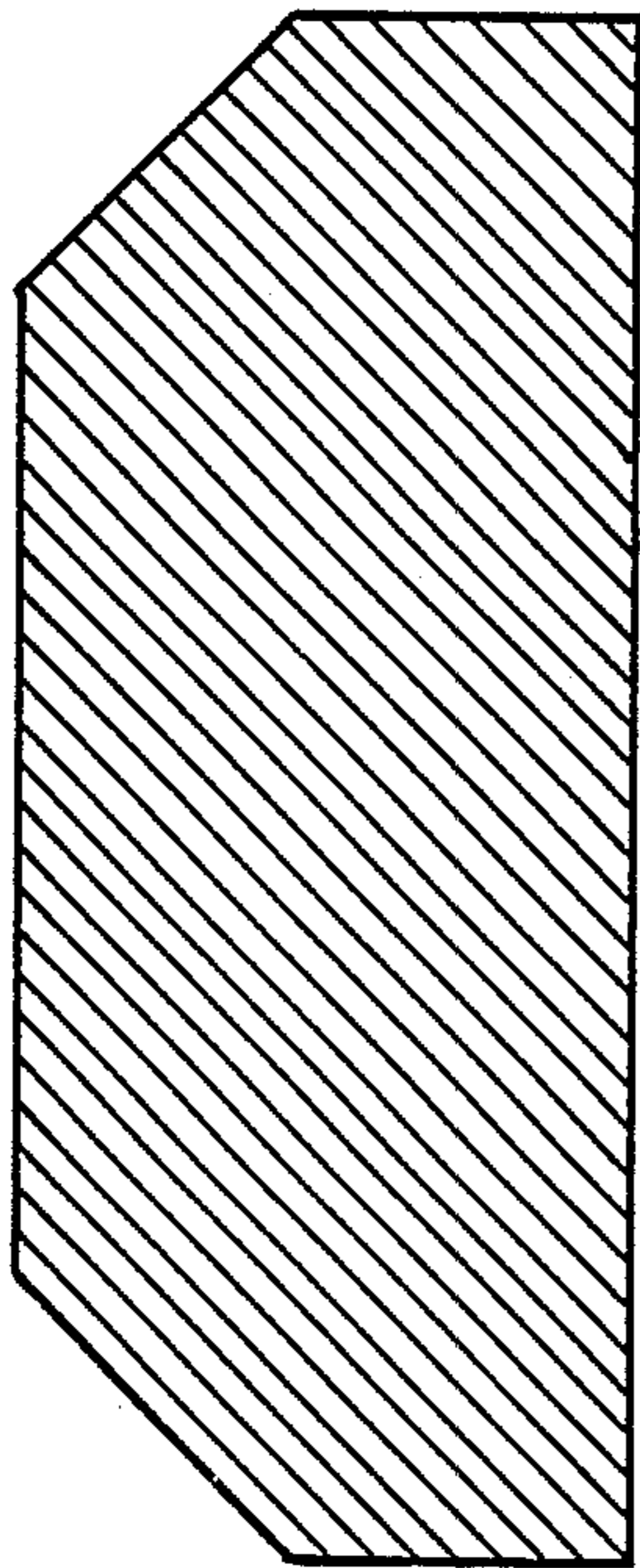


Fig. 3

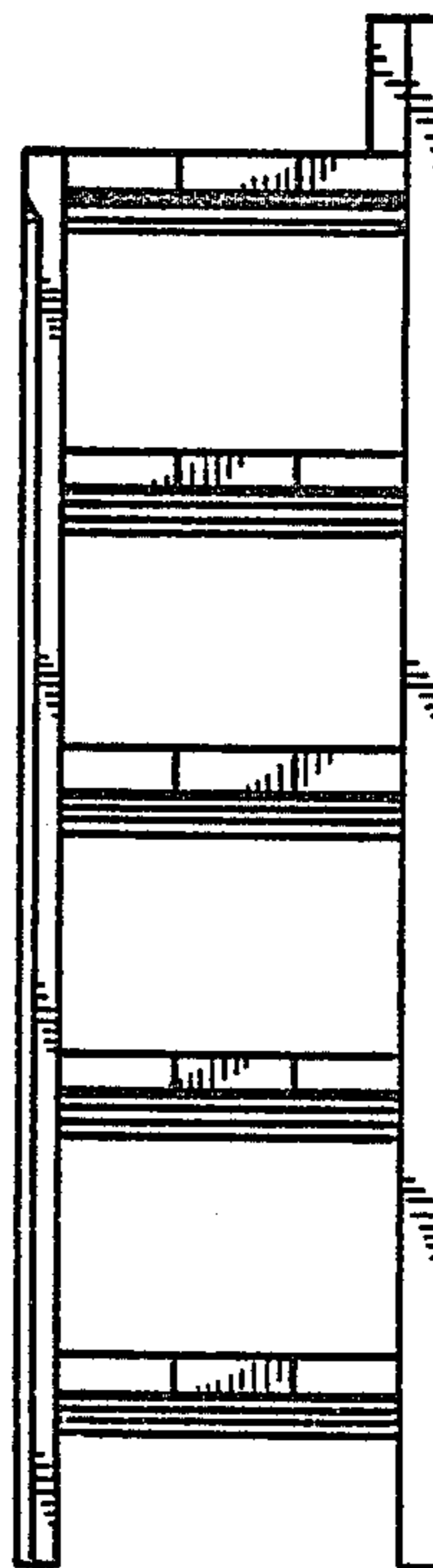


Fig. 5