

[54] RACK FOR SUPPORTING A PLURALITY OF VERTICALLY ORIENTED RINGS

[76] Inventors: Marvin J. Baldree, Rte. 1, Box 219, Rice, Tex. 75155; Raymon D. Utz, 309 Sheri La., Hurst, Tex. 76053

[**] Term: 14 Years

[21] Appl. No.: 827,869

[22] Filed: Feb. 10, 1986

[52] U.S. Cl. D6/462

[58] Field of Search D6/462, 464, 465, 463, D6/468; 211/71, 59.2, 13, 60.1; 108/93

[56] References Cited

U.S. PATENT DOCUMENTS

D. 200,488	3/1965	Watson	D6/468
D. 272,500	2/1984	Ray et al.	D6/463
D. 277,058	1/1985	Tortensson	D6/468
3,157,424	11/1964	Hall	211/60.1 X
4,223,792	9/1980	Aspen	211/60.1 X

OTHER PUBLICATIONS

Global Equipment Co. Cat #47A ©1974, p. 68; Storage Rack, top right on page.

Primary Examiner—Carmen H. Vales
Attorney, Agent, or Firm—Charles W. McHugh

[57] CLAIM

The ornamental design for a rack for supporting a plurality of vertically oriented rings, as shown and described.

DESCRIPTION

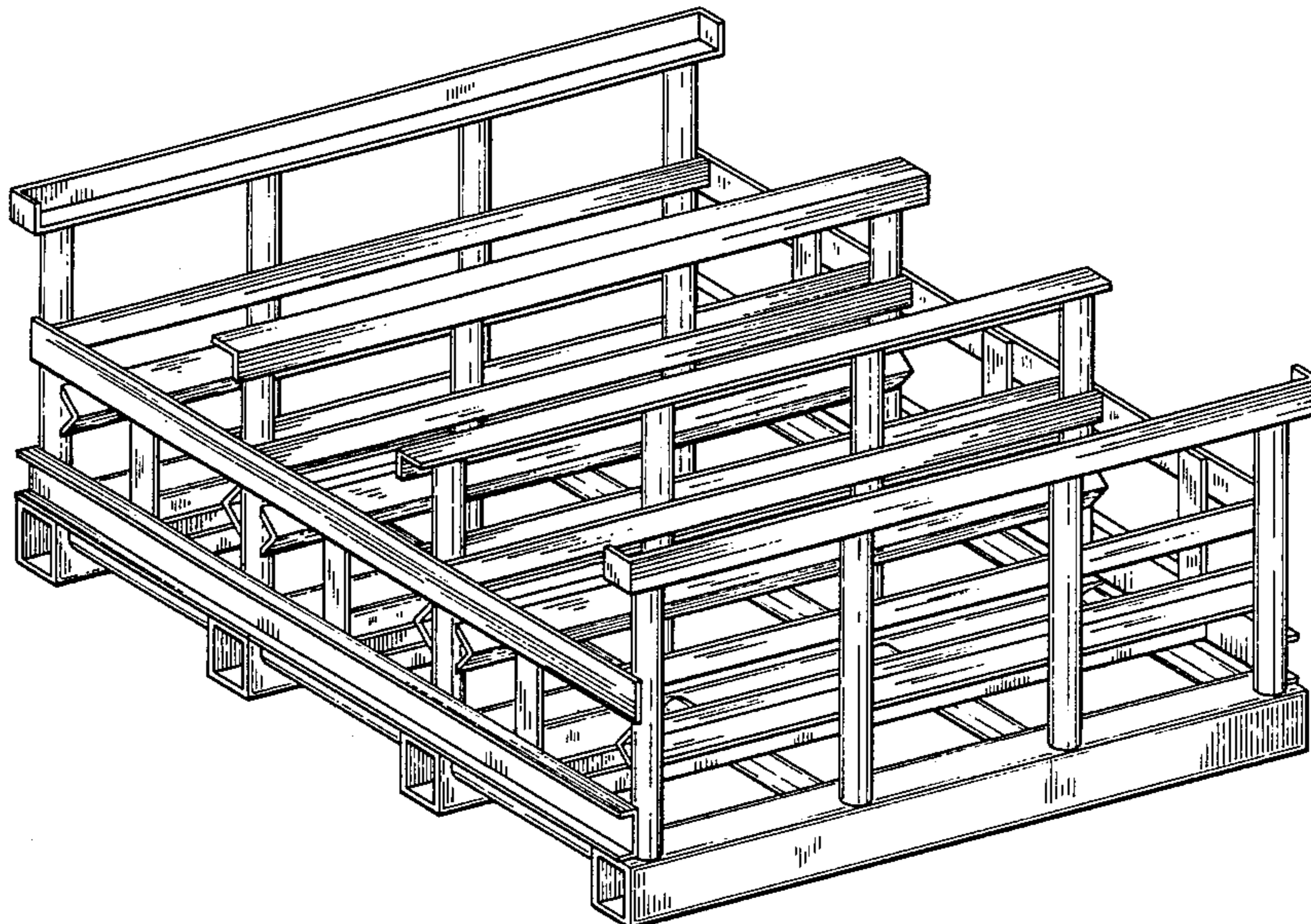
FIG. 1 is a perspective view of the rack for supporting a plurality of vertically oriented rings showing our new design;

FIG. 2 is a top plan view thereof;

FIG. 3 is a front elevational view the rear view being identical thereto;

FIG. 4 is a side elevational view, the opposite side being identical thereto;

FIG. 5 is a bottom plan view thereof.



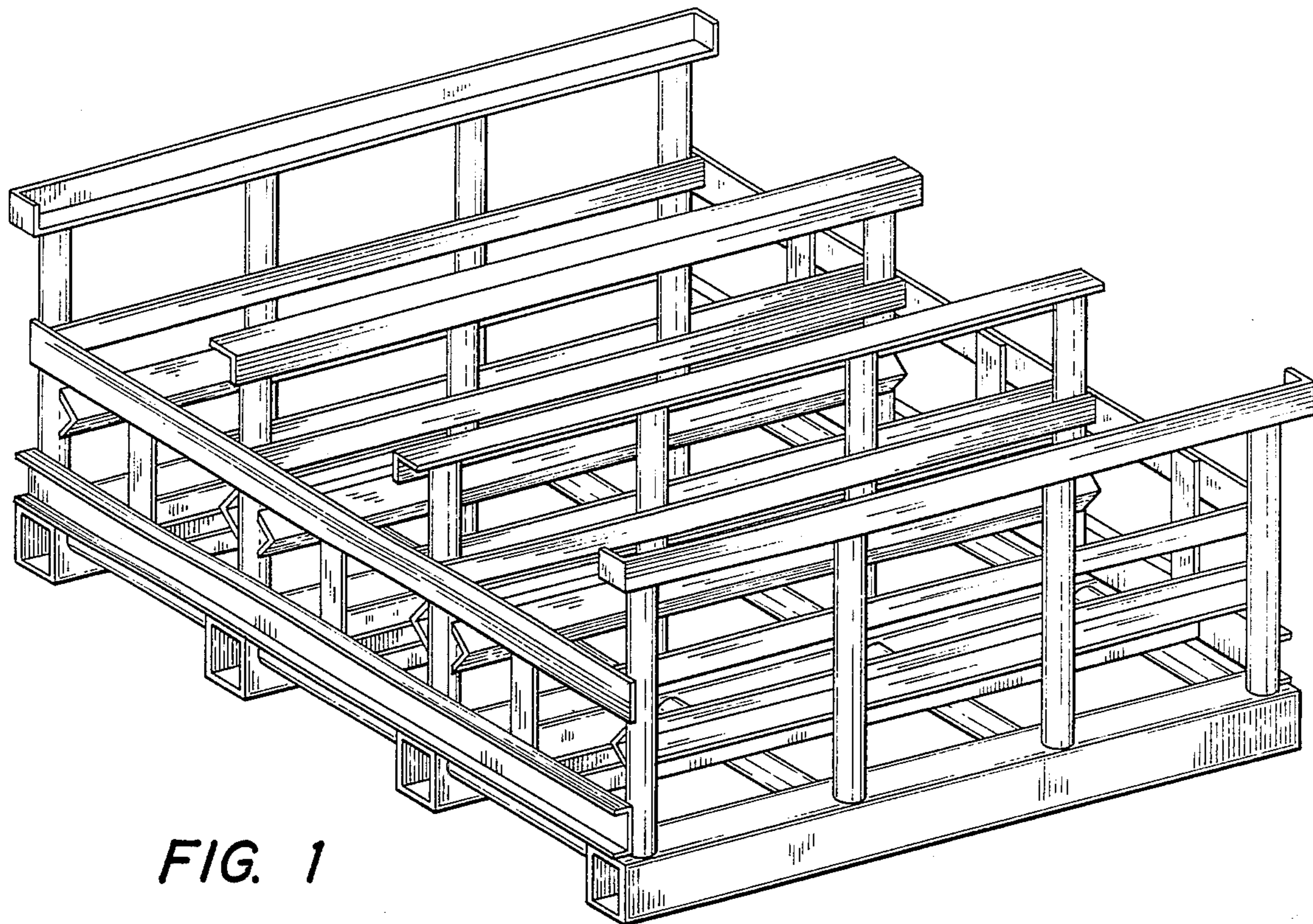


FIG. 1

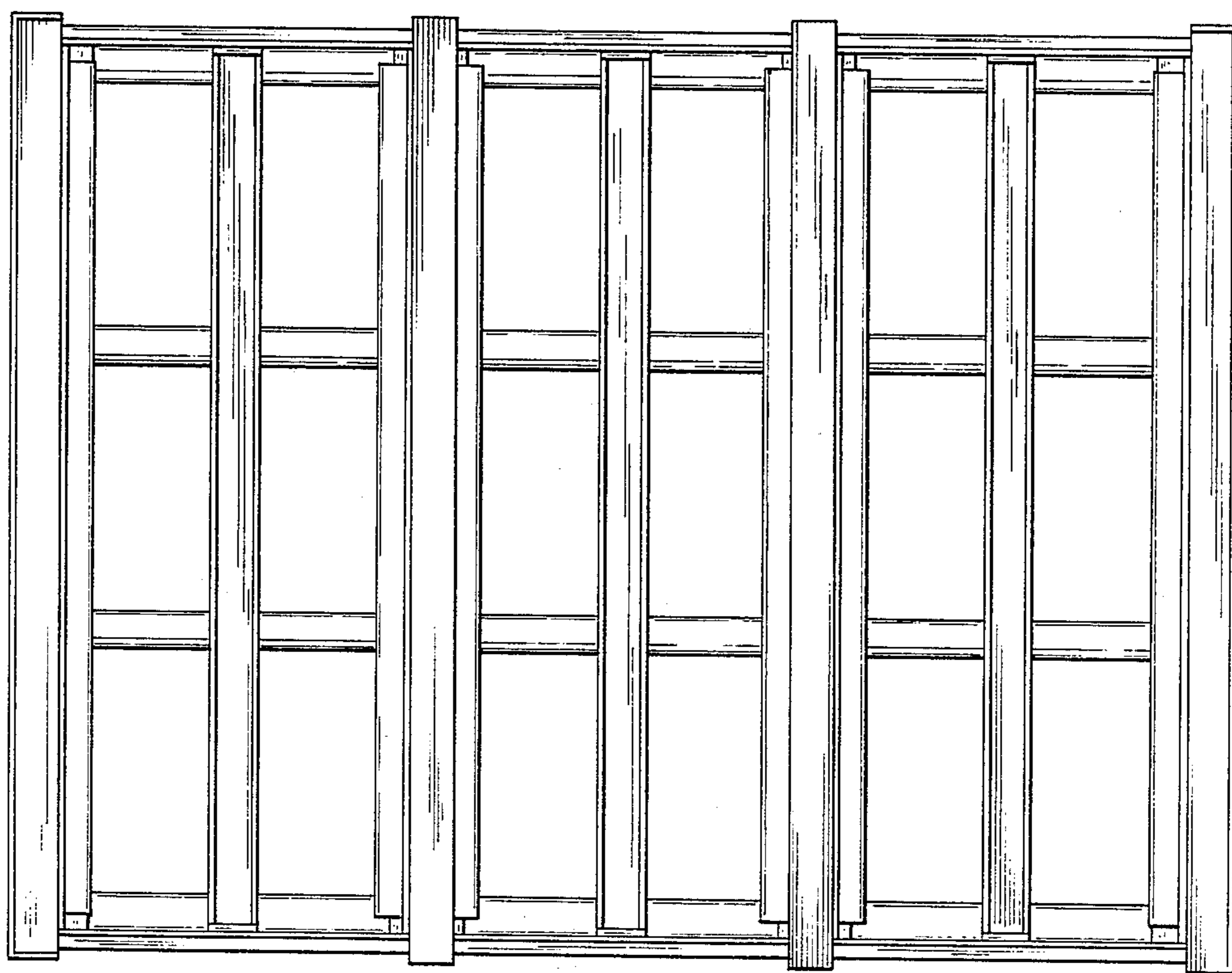


FIG. 2

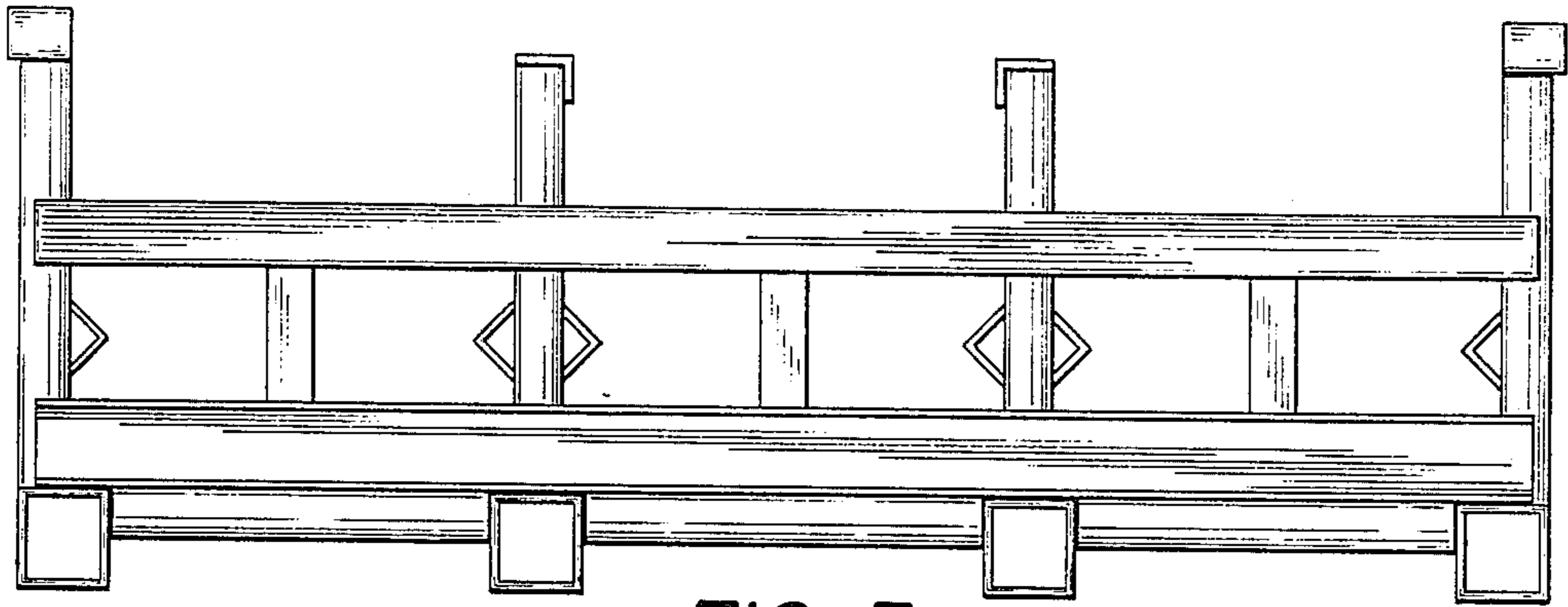


FIG. 3

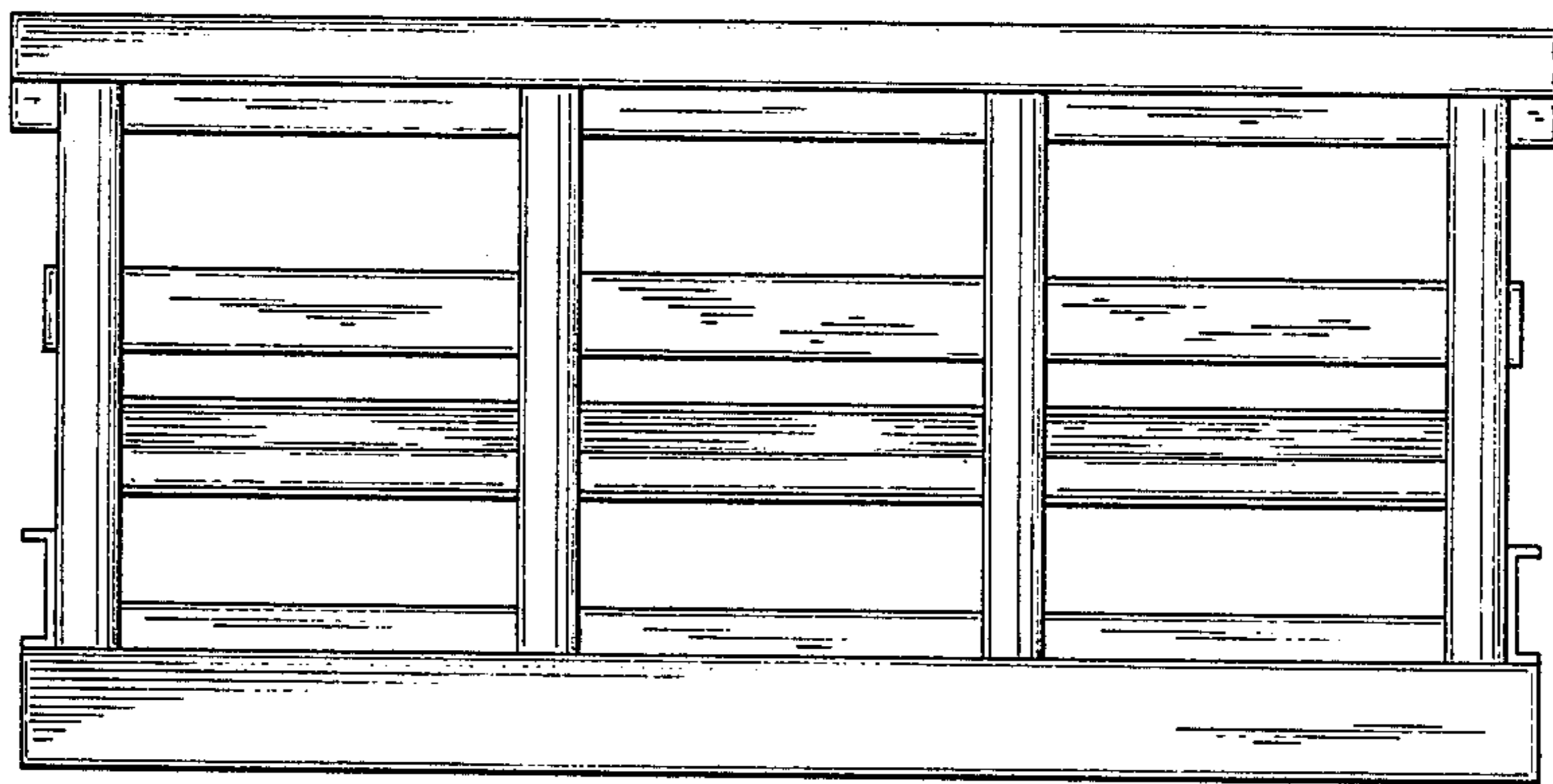


FIG. 4

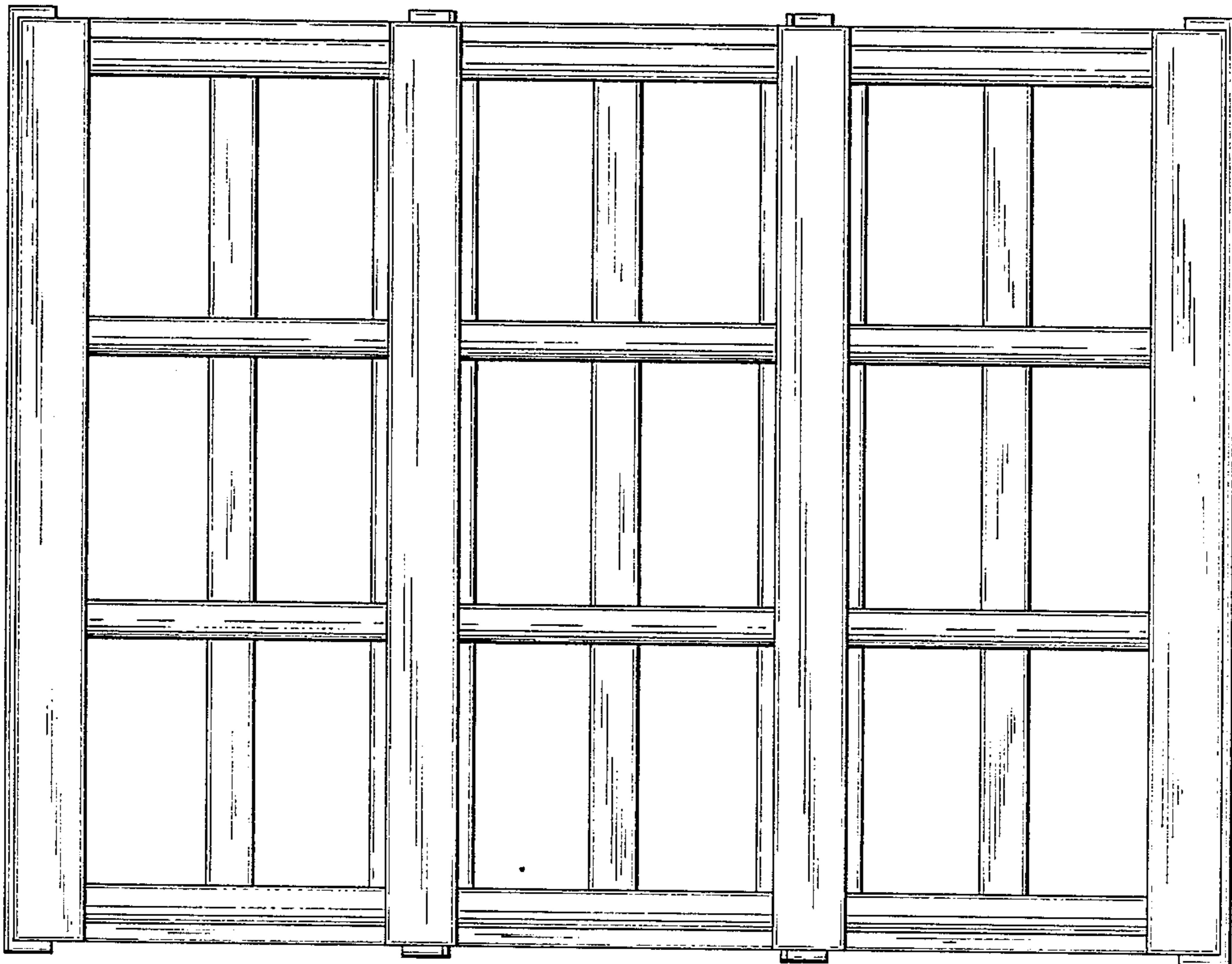


FIG. 5