

[54] COMBINATION POOL TABLE AND BED

[76] Inventor: William M. Peterson, Rte. 8, Box 775, New Braunfels, Tex. 78130

[**] Term: 14 Years

[21] Appl. No.: 821,779

[22] Filed: Jan. 23, 1986

[52] U.S. Cl. D6/384

[58] Field of Search D6/382, 383, 384; 5/2 R, 2 B; D21/37, 232

[56] References Cited

U.S. PATENT DOCUMENTS

- D. 152,130 12/1948 Staartjes D6/384
- D. 215,220 9/1969 Eide D21/37
- D. 227,724 7/1973 Mendlin D6/384

- D. 271,989 12/1983 Painchaud et al. D21/232
- D. 286,955 12/1986 Fisher D6/384

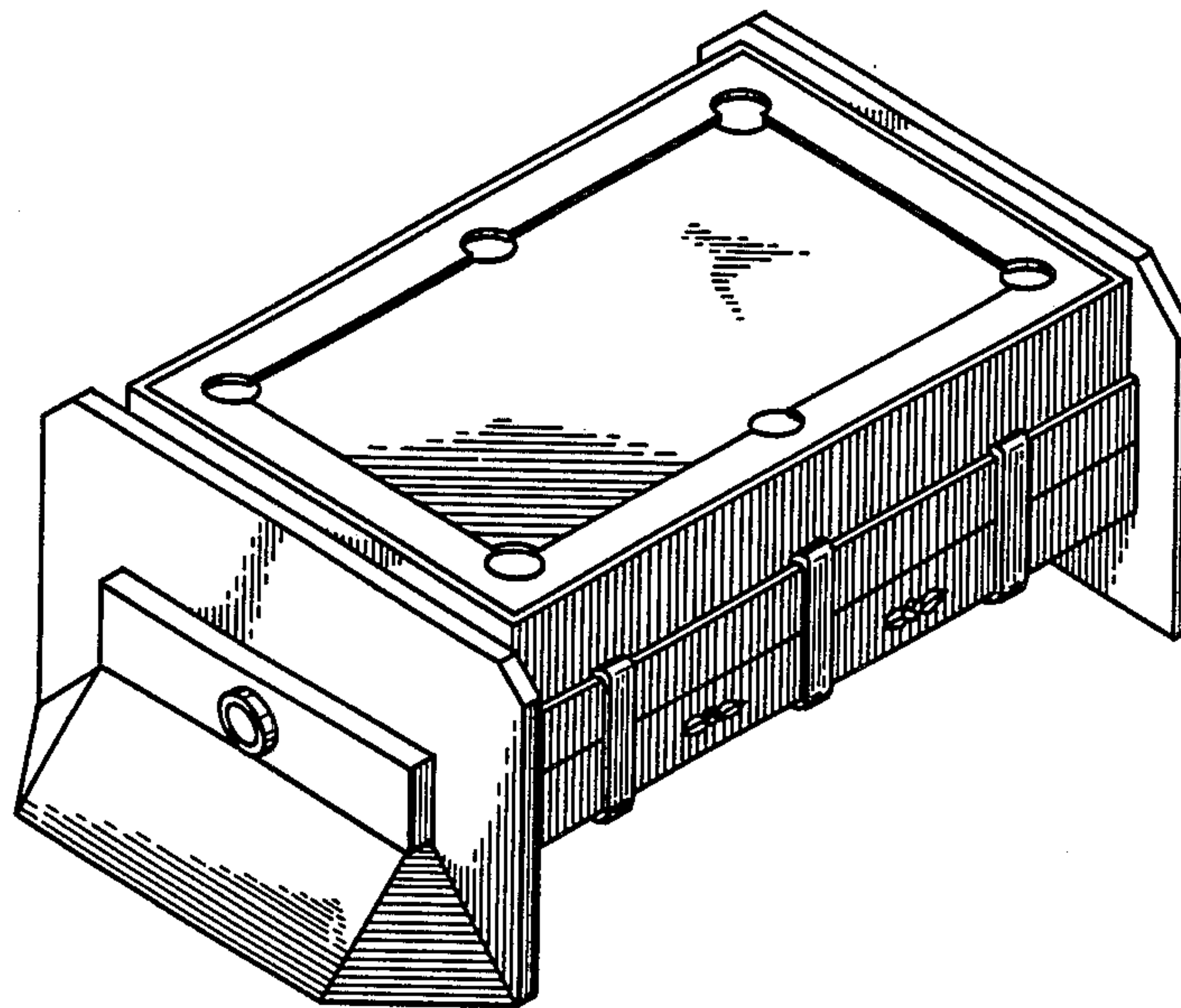
Primary Examiner—Bruce W. Dunkins
Attorney, Agent, or Firm—Terry M. Gernstein

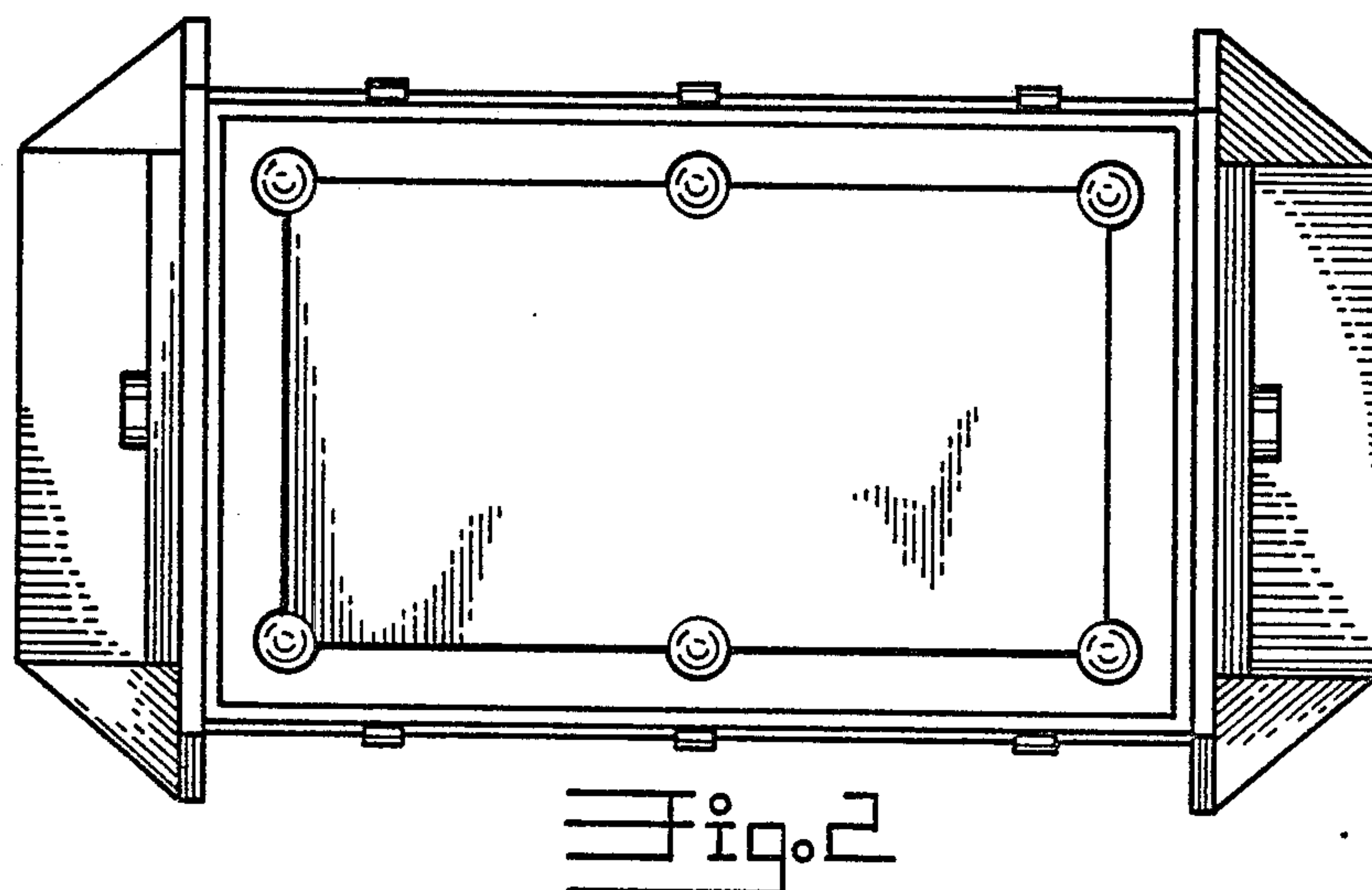
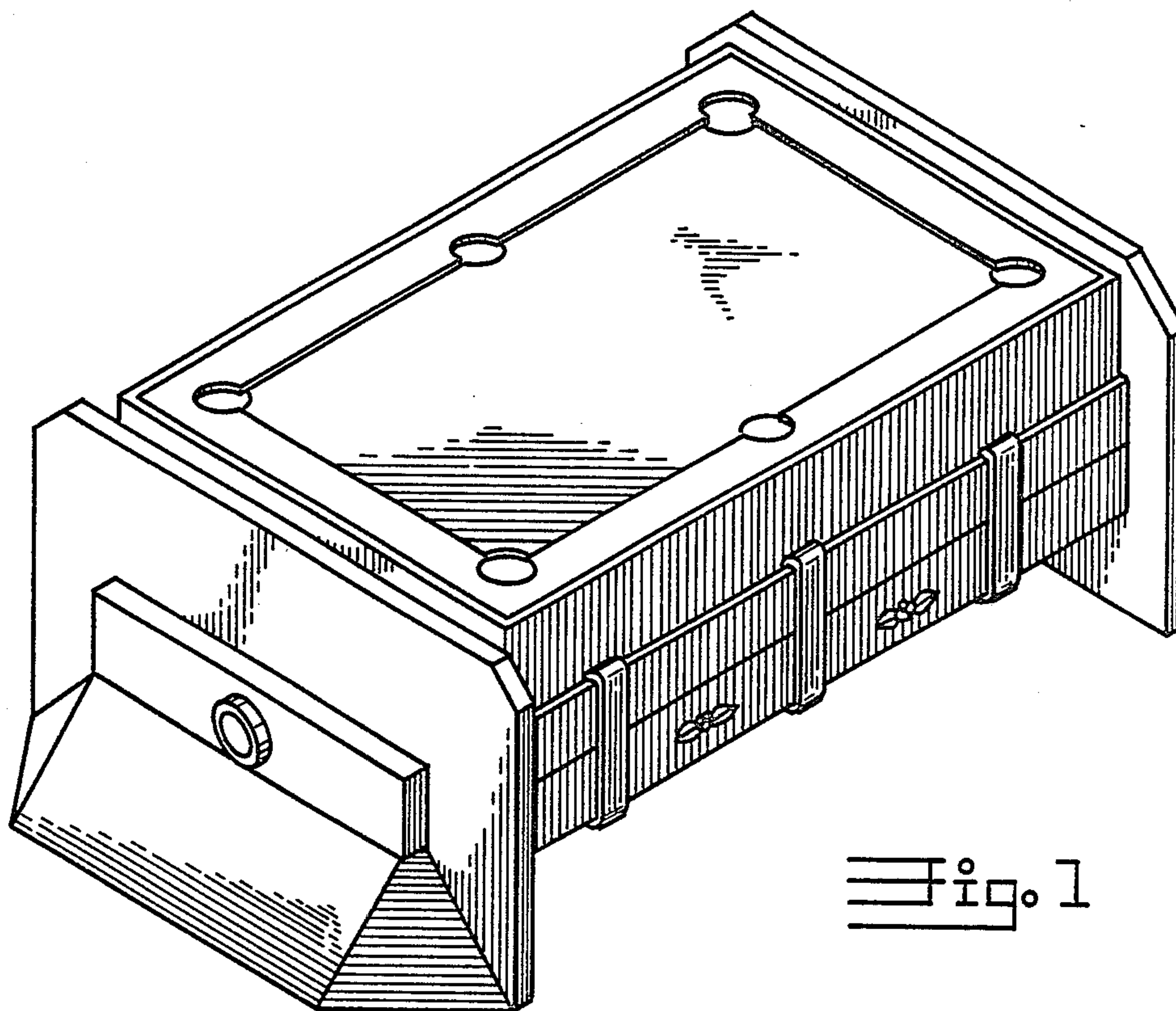
[57] CLAIM

The ornamental design for a combination pool table and bed, as shown and described.

DESCRIPTION

FIG. 1 is a perspective view of a combination pool table and bed showing my new design; FIG. 2 is a top plan view; FIG. 3 is a side elevational view, the opposite side being a mirror image thereof; FIG. 4 is a left end elevational view; and FIG. 5 is a right end elevational view thereof.





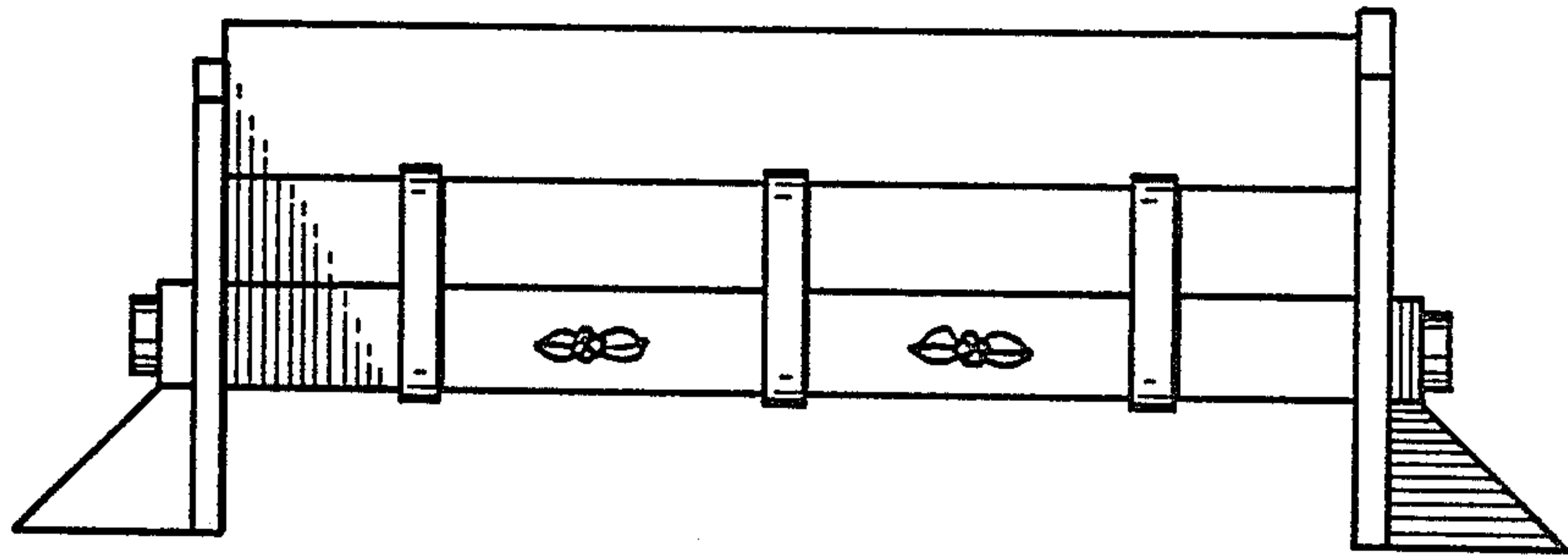


Fig. 3

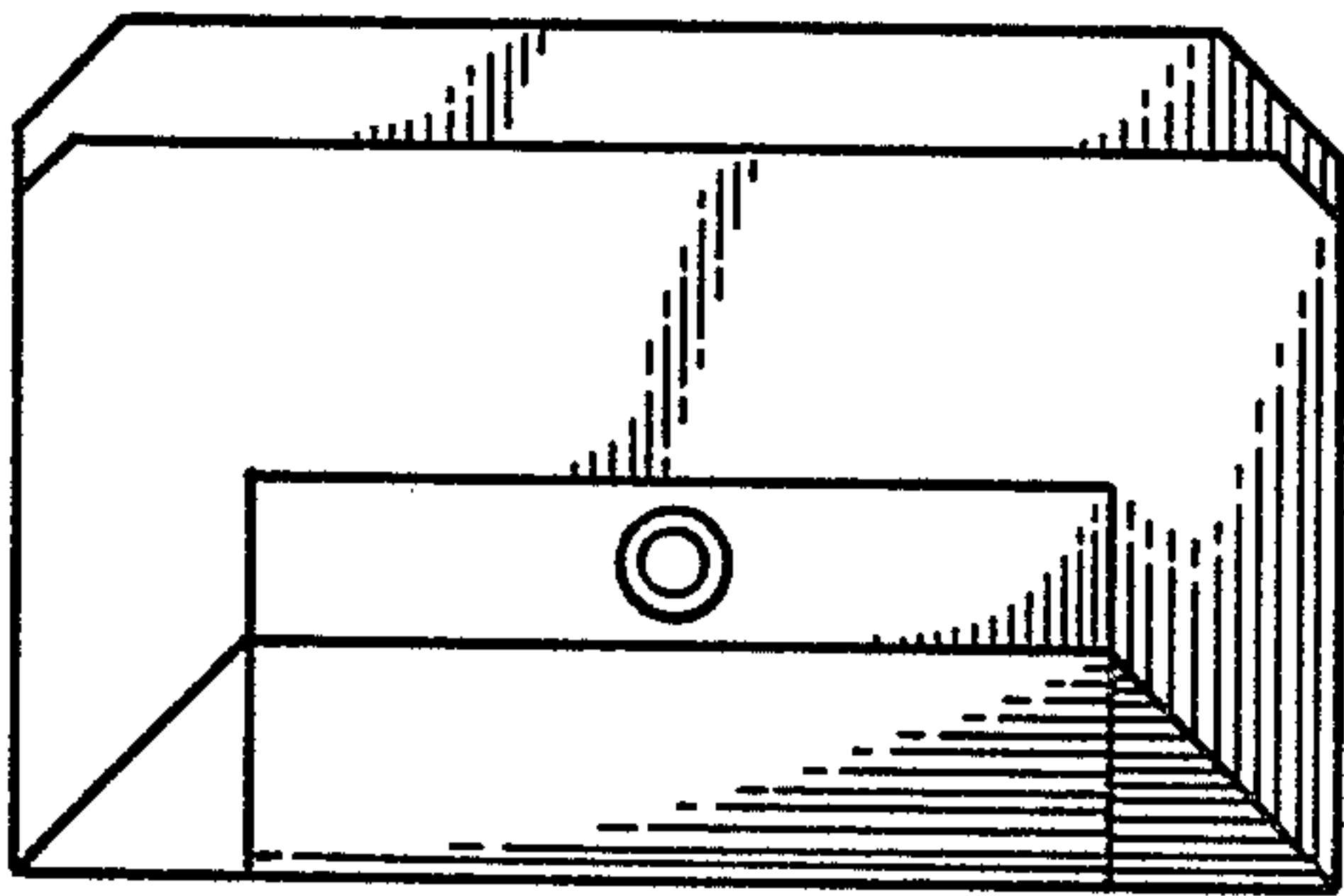


Fig. 4

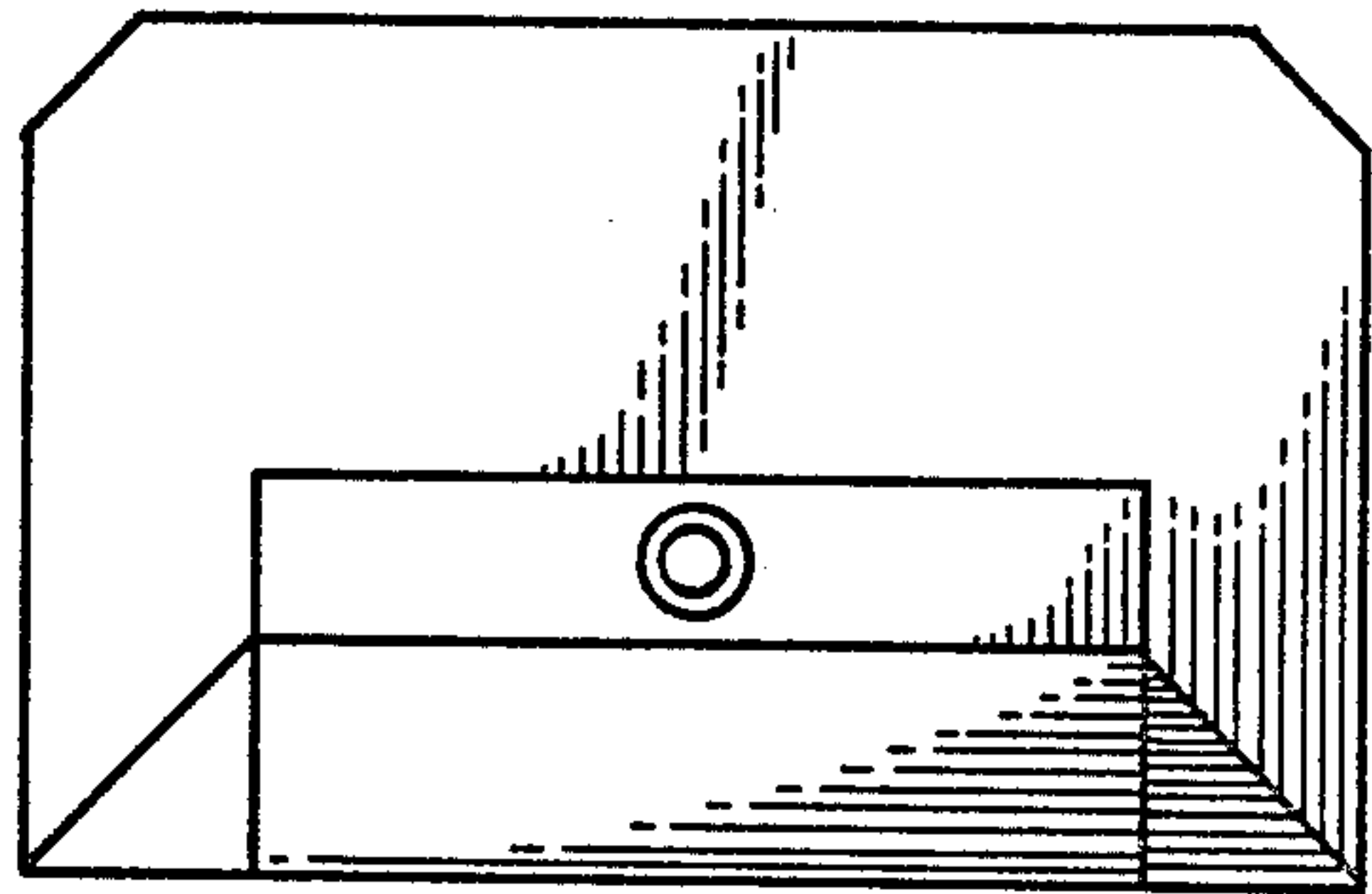


Fig. 5